

Photo © Textron Aviation Inc.

**GOODRICH® DE-ICE BOOTS FOR CESSNA CITATION®
MODELS 510, 525, 525A, 525B, 525C, 550, 560, 560XL, 560XLS, AND 560XLS+**

UNMATCHED EXPERTISE IN DE-ICING

- Choice of installation methods – Collins Goodrich® FASTboot® or standard
- Superior ice shed performance with innovative Collins Goodrich® Estane® material
- Collins Goodrich® SILVERboot™ de-icers for 560XL/XLS/XLS+ now available
- Same-day shipping
- Original equipment for Citation aircraft
- Industry-leading five-year/3,000 flight hour warranty*

*For full warranty terms, see the Collins Goodrich RPL catalog.

For additional Goodrich®
product information:

800.DE-ICERS (800.334.2377)
dssd.support@collins.com

collinsaerospace.com/deicing

Distributed by:

Beechcraft



Hawker

TEXTRON AVIATION

parts.txtav.com

To place an order or to contact your regional support team,
please visit our website.



Collins Aerospace

Goodrich® Estane® Pneumatic De-Icers

- Ice shed performance optimized in the Goodrich icing wind tunnel lab
- High-performance Estane material increases durability, extends life and resists corrosive fluid
- Improved resistance to cold cracking

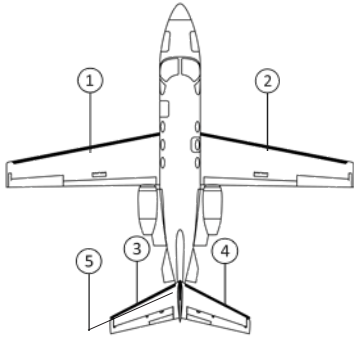
Goodrich® SILVERboot™ Pneumatic De-Icers

- Absorb less heat on composite leading edges
- Fluid-resistant urethane material
- Improved resistance to cold cracking

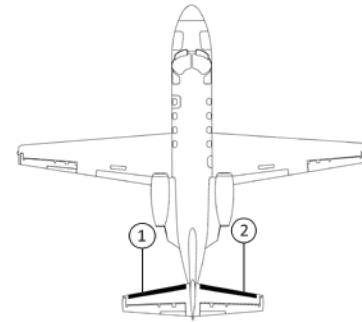
Goodrich® FASTboot® Pneumatic De-Icers

- Reduced installation time
- Minimize hazardous waste handling
- Fast turnaround times:
De-Icers can be inflated two hours after installation

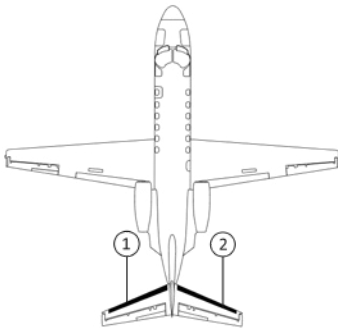
510 (MUSTANG)



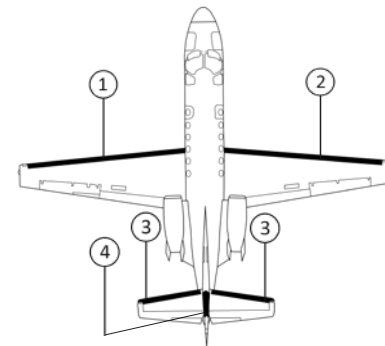
525 (CITATIONJET CJ1, CJ1+, M2)



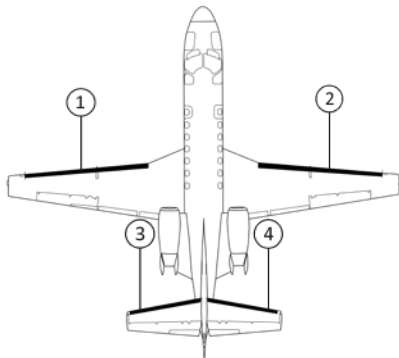
525A (CJ2), 525B (CJ3), 525C (CJ4)



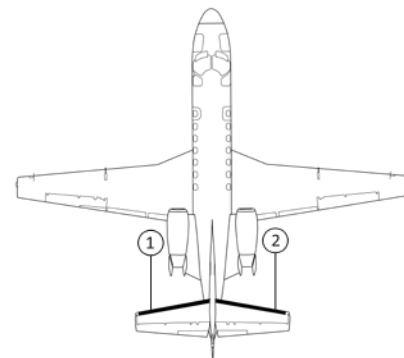
550 (CII, SII, BRAVO)



560 (CV, ULTRA, ENCORE)



560 (XL, XLS, XLS+)



POS.	P/N	DESCRIPTION	WT. (lbs.)	510 (MUSTANG)	525 (CITATIONJET, CJ1, CJ1+, M2)	525A (CJ2), 525B (CJ3)	525C (CJ4)	550 CII, SII, BRAVO	560 (CV, ULTRA, ENCORE)	560 (XL, XLS, XLS+)
4	25S-7D5059-05	VERTICAL STABILIZER DE-ICE BOOT	1.8					1		
1	25S-7D5059-09	WING LH DE-ICE BOOT	6.7					1		
2	25S-7D5059-10	WING RH DE-ICE BOOT	6.7					1		
4	P25S-7D5059-05	FASTBOOT® VERTICAL STABILIZER DE-ICE BOOT	1.8					1		
1	P25S-7D5059-09	FASTBOOT® WING LH DE-ICE BOOT	6.7					1		
2	P25S-7D5059-10	FASTBOOT® WING RH DE-ICE BOOT	6.7					1		
3	29S-7D5059-13	HORIZONTAL STABILIZER LH/RH DE-ICE BOOT (SUPERSEDED P/N 29S-7D5059-03)	3.3					2		
3	P29S-7D5059-13	FASTBOOT® HORIZONTAL STABILIZER LH/RH DE-ICE BOOT (SUPERSEDED P/N P29S-7D5059-03)	3.3					2		
1	29S-4D5244-11	HORIZONTAL STABILIZER LH DE-ICE BOOT (REPLACES 29S-4D5244-01)	4		1					
2	29S-4D5244-12	HORIZONTAL STABILIZER RH DE-ICE BOOT (REPLACES 29S-4D5244-02)	4		1					
1	P29S-4D5244-11	FASTBOOT® HORIZONTAL STABILIZER LH DE-ICE BOOT	4.0		1					
2	P29S-4D5244-12	FASTBOOT® HORIZONTAL STABILIZER RH DE-ICE BOOT	4.0		1					
1	29S-4D5244-15	HORIZONTAL STABILIZER LH DE-ICE BOOT	4.8			1				
2	29S-4D5244-16	HORIZONTAL STABILIZER RH DE-ICE BOOT	4.8			1				
1	P29S-4D5244-15	FASTBOOT® HORIZONTAL STABILIZER LH DE-ICE BOOT	4.8			1				
2	P29S-4D5244-16	FASTBOOT® HORIZONTAL STABILIZER RH DE-ICE BOOT	4.8			1				
1	29S4D5280-01	HORIZONTAL STABILIZER LH DE-ICE BOOT	5.4							1
2	29S4D5280-02	HORIZONTAL STABILIZER RH DE-ICE BOOT	5.4							1
1	29S4D5280-11	HORIZONTAL STABILIZER LH (ESTANE®) DE-ICE BOOT	5.8							1
2	29S4D5280-12	HORIZONTAL STABILIZER RH (ESTANE®) DE-ICE BOOT	5.8							1
1	P29S4D5280-11	FASTBOOT® HORIZONTAL STABILIZER LH (ESTANE®) DE-ICE BOOT	5.8							1
2	P29S4D5280-12	FASTBOOT® HORIZONTAL STABILIZER RH (ESTANE®) DE-ICE BOOT	5.8							1
1	S29S4D5280-21	SILVERBOOT™ HORIZONTAL STABILIZER LH DE-ICE BOOT	6.2							1
2	S29S4D5280-22	SILVERBOOT™ HORIZONTAL STABILIZER RH DE-ICE BOOT	6.2							1
1	PS29S4D5280-21	FASTBOOT® HORIZONTAL STABILIZER LH SILVERBOOT™ DE-ICE BOOT	6.6							1
2	PS29S4D5280-22	FASTBOOT® HORIZONTAL STABILIZER RH SILVERBOOT™ DE-ICE BOOT	6.6							1
3	29S-5D5225-05	HORIZONTAL STABILIZER LH DE-ICE BOOT	4.3						1	
4	29S-5D5225-06	HORIZONTAL STABILIZER RH DE-ICE BOOT	4.3						1	
1	35-5D5230-01	WING LH DE-ICE BOOT	11.9						1	
2	35-5D5230-02	WING RH DE-ICE BOOT	11.9						1	
3	P29S-5D5225-05	FASTBOOT® HORIZONTAL STABILIZER LH DE-ICE BOOT	4.3						1	
4	P29S-5D5225-06	FASTBOOT® HORIZONTAL STABILIZER RH DE-ICE BOOT	4.3						1	
1	P35-5D5230-01	FASTBOOT® WING LH DE-ICE BOOT	11.9						1	
2	P35-5D5230-02	FASTBOOT® WING RH DE-ICE BOOT	11.9						1	
3	9912662-3	FASTBOOT® HORIZONTAL STABILIZER LH (ESTANE®) DE-ICE BOOT (GOODRICH P/N P29S4D5317-05)	4.6	1						
4	9912662-4	FASTBOOT® HORIZONTAL STABILIZER RH (ESTANE®) DE-ICE BOOT (GOODRICH P/N P29S4D5317-06)	4.6	1						
5	9912662-13	FASTBOOT® VERTICAL STABILIZER (ESTANE®) DE-ICE BOOT (GOODRICH P/N P29S4D5317-13)	4.5	1						
1	9912662-17	FASTBOOT® WING LH (ESTANE®) DE-ICE BOOT (GOODRICH P/N P35-4D5317-17)	10.1	1						
2	9912662-18	FASTBOOT® WING RH (ESTANE®) DE-ICE BOOT (GOODRICH P/N P35-4D5317-18)	10.1	1						
1	P29S4D5323-03	FASTBOOT® HORIZONTAL STABILIZER LH DE-ICE BOOT (REPLACE P29S4D5329-01)	5.8				1			
2	P29S4D5323-04	FASTBOOT® HORIZONTAL STABILIZER RH DE-ICE BOOT (REPLACE P29S4D5329-02)	5.8				1			
	P3D3355	STALL STRIP		2						
	6314630-4	EROSION SHOE			2	2	2			
	74-451-11	A-56-BR-1 CONDUCTIVE EDGE SEALER (1/2 PINT)		3	1	1	1	3	3	1
	PR1422	FILLERS (AMM CALLS OUT PR-1422 WITH ALTERNATES)		1	1	1	1	1	1	1
	PR1425	FILLERS (AMM CALLS OUT PR-1425 WITH ALTERNATES)		1	1	1	1	1	1	1
	PR1829	ADHESIVE (AMM CALLS OUT PR-1829 WITH ALTERNATES)		1				1		
	3D2487	STALL STRIP (2 REQUIRED)						2	2	
	74-451-R-1	SILVER EDGE SEALER (1 PINT)								1
	74-451-P	CONDUCTIVE EDGE SEALER - ESTANE®		4	1	1	1	3	3	1
	74-451-99	A-851-B FUEL BARRIER CEMENT (1 QUART) (SEE AMM)								
	74-451-AQ1	SILVER CONDUCTIVE EDGE SEALER (1 PINT)								1
	74-451-207	FASTBOOT® PRIMER (1/2 PINT)		3	1	1	1	2	3	1
	1300L	NEOPRENE HIGH PERFORMANCE RUBBER AND GASKET ADHESIVE		2	1	1	1	2	2	2
		PEERCO #321 ADHESIVE REMOVER (AS NEEDED)								
		TOLUENE (SOLVENT) (AS NEEDED)								

For detailed installation instructions, refer to Goodrich manual 30-10-31 or FASTboot installation instructions 30-10-70.

DE-ICE BOOT CARE PRODUCTS



**COLLINS GOODRICH®
AEROSPACE PROTECTANT™**

Aerospace Protectant (32 fl. oz.)
P/N 74-451-237-12

- Approved for use on all Goodrich de-icers
- Near 100% prevention of UV-caused slow fade
- Resistance to dust, soiling and staining
- Water-based formula is environmentally friendly
- Apply as needed – no surface stripping required



**COLLINS GOODRICH®
AEROSPACE CLEANER™**

Aerospace Cleaner (32 fl. oz.)
P/N 74-451-238-32

- Approved for use on all Goodrich de-icers
- Can be used on all water-safe materials
- Water-based formula is environmentally friendly
- Apply as needed – no surface stripping required
- Great for removing dirt, grime and bugs



AGE MASTER® #1

P/N 74-451-127

- Rubber preservative that protects against weathering, ozone and ultraviolet rays
- Apply six months after new de-icer is installed
- Reapply every 150 flight hours (twice yearly)
- One quart covers approximately 90 sq. ft. (8.3 sq. m)



**COLLINS GOODRICH®
ICEX®II**

ICEXII – 6 oz.
ICEXII – Pump
ICEXII – Quart

- Ice adhesion inhibitor that enhances de-icer performance
- Apply every 50 flight hours during icing season
- One quart covers approximately 400 sq. ft. (37 sq. m)



**COLLINS GOODRICH®
SHINEMASTER™
DE-ICER TREATMENT**

ShineMaster Prep
P/N 74-451-179
ShineMaster
P/N 74-451-178

- Cosmetic coating that provides a high luster shine
- Clean de-icer with ShineMaster Prep before applying 2-3 light coats
- One pint covers approximately 200 sq. ft. (18.6 sq. m)
- Reapply as desired



**COLLINS GOODRICH®
EDGE SEALER**

Edge Sealer (1/2 pint)
P/N 74-451-11
Edge Sealer (quart)
P/N 74-451-11-1

- Formulated for cosmetic appearance and static dissipation
- Kits are the same for standard and FASTboot neoprene de-icers



**PINHOLE
REPAIR KIT**

P/N 74-451-AE

- Repairs can be made on pinholes that do not exceed 1/16" diameter
- No more than 20 repairs per 12" square



**PATCH
REPAIR KIT**

P/N 74-451-AA

- Extend the life of your de-icer with a permanent patch repair

Specifications subject to change without notice.

Collins Aerospace is solely responsible for the information contained herein.

**For additional Goodrich®
product information:**

800.DE-ICERS (800.334.2377)
dssd.support@collins.com

Distributed by:



TEXTRON AVIATION

parts.txtav.com

To place an order or to contact your regional support team,
please visit our website.



Collins Aerospace

800.DE-ICERS (800.334.2377)

dssd.support@collins.com

collinsaerospace.com/deicing