

# Textron Aviation Replacement Part List (RPL) Catalog 2021

Pneumatic de-ice boots

Care products

Prop-de-icers and hardware



**Collins Aerospace**

## TABLE OF CONTENTS

BEECHCRAFT 18 (TWIN BEECH) W/ STC SA1171WE (VOLPAR), SA1636WE, SA2204WE.....	6	BEECHCRAFT 58 (BARON) S/N TH-372 THRU TH-374....	38
BEECHCRAFT D18 (TWIN BEECH) WITH CONRAD WING TIPS (WITH LIGHT).....	7	BEECHCRAFT 58 (BARON) S/N TH-375 THRU TH-1471, TH-1476, TH-1487, TH-1489, TH-1498 .....	39
BEECHCRAFT D18 (TWIN BEECH) WITH CONRAD WING TIPS (WITHOUT LIGHT).....	8	BEECHCRAFT 58 (BARON) S/N TH-1472 UP EXCEPT TH-1476, TH-1487, TH-1489, TH-1498 .....	40
BEECHCRAFT D18C (TWIN BEECH) (WITH LIGHT) .....	9	BEECHCRAFT 58P (BARON) S/N TJ-3 THRU TJ-31, TJ-33 THRU TJ-37 .....	41
BEECHCRAFT D18C (TWIN BEECH) (WITHOUT LIGHT) ...	10	BEECHCRAFT 58P (BARON) S/N TJ-32, TJ-38 UP .....	42
BEECHCRAFT D18S (TWIN BEECH) (WITH LIGHT).....	11	BEECHCRAFT 58TC (BARON) .....	43
BEECHCRAFT D18S (TWIN BEECH) (WITHOUT LIGHT)....	12	BEECHCRAFT 60 (DUKE) .....	44
BEECHCRAFT E18S (TWIN BEECH) (WITH LIGHT).....	13	BEECHCRAFT 60 (DUKE) S/N P-50 UP.....	45
BEECHCRAFT E18S (TWIN BEECH) (WITHOUT LIGHT)....	14	BEECHCRAFT A60 (DUKE) S/N P-123 UP .....	46
BEECHCRAFT E18S-9700 (TWIN BEECH).....	15	BEECHCRAFT B60 (DUKE) S/N P-247 THRU P-253 (DUKE)..	47
BEECHCRAFT H18 (TWIN BEECH) (WITH LIGHT) .....	16	BEECHCRAFT B60 (DUKE) S/N P-252 UP WITH LIGHTS..	48
BEECHCRAFT H18 (TWIN BEECH) (WITHOUT LIGHT) .....	17	BEECHCRAFT B60 (DUKE) S/N P-252 UP WITHOUT LIGHTS .....	49
BEECHCRAFT 36 (BONANZA).....	18	BEECHCRAFT 65 (QUEEN AIR).....	50
BEECHCRAFT A36 (BONANZA).....	19	BEECHCRAFT A65 (QUEEN AIR).....	51
BEECHCRAFT A36TC (BONANZA).....	20	BEECHCRAFT 65-A80 (QUEEN AIR).....	52
BEECHCRAFT 95-55 (BARON) .....	21	BEECHCRAFT 65-A80-8800 (QUEEN AIR).....	53
BEECHCRAFT 95-A55 (BARON).....	22	BEECHCRAFT 65-B80 (QUEEN AIR) .....	54
BEECHCRAFT 95-A55 (BARON) S/N TC-400 UP .....	23	BEECHCRAFT 65-88 (QUEEN AIR).....	55
BEECHCRAFT 95-B55 (BARON) S/N TC-371 .....	24	BEECHCRAFT 65-90 (KING AIR).....	56
BEECHCRAFT 95-B55 (BARON) S/N TC-502 THRU TC-1607.....	25	BEECHCRAFT 65-A90 (KING AIR) .....	57
BEECHCRAFT 95-C55 (BARON) S/N TE-1 UP .....	27	BEECHCRAFT 65-A90-1 (KING AIR).....	58
BEECHCRAFT 95-C55 (BARON) S/N TC-350.....	28	BEECHCRAFT 65-A90-2 (KING AIR).....	59
BEECHCRAFT 95-C55A (BARON).....	29	BEECHCRAFT 65-A90-3 (KING AIR).....	60
BEECHCRAFT D55 (BARON).....	30	BEECHCRAFT 65-A90-4 (KING AIR).....	61
BEECHCRAFT D55A (BARON).....	31	BEECHCRAFT 70 (QUEEN AIR).....	62
BEECHCRAFT E55 (BARON).....	32	BEECHCRAFT B90 (KING AIR) S/N LJ-318 THRU LJ-376 .....	63
BEECHCRAFT E55A (BARON).....	33	BEECHCRAFT B90 (KING AIR) S/N LJ-318 THRU LJ-501 .....	64
BEECHCRAFT 56TC (BARON) .....	34	BEECHCRAFT C90 (KING AIR) S/N LJ-502 THRU LJ-577 (WITH LIGHTS).....	65
BEECHCRAFT A56TC (BARON) S/N TG-78 UP .....	35	BEECHCRAFT C90 (KING AIR) S/N LJ-502 THRU LJ-624 (WITHOUT LIGHTS).....	66
BEECHCRAFT 58 (BARON) S/N TH-1 THRU TH-368, TH-370, TH-371 .....	36		
BEECHCRAFT 58 (BARON) S/N TH-369.....	37		

## TABLE OF CONTENTS

BEECHCRAFT C90 (KING AIR) S/N LJ-625 THRU LJ-639.....	67	BEECHCRAFT A100 (KING AIR) .....	106
BEECHCRAFT C90 (KING AIR) S/N LJ-640 THRU LJ-658.....	68	BEECHCRAFT A100A (KING AIR) .....	107
BEECHCRAFT C90 (KING AIR) S/N LJ-660 THRU LJ-1062.....	69	BEECHCRAFT A100C (KING AIR).....	108
BEECHCRAFT C90A (KING AIR).....	70-71	BEECHCRAFT B100 (KING AIR).....	109
BEECHCRAFT C90A WITH BLR WINGLETS (KING AIR).....	72-73	BEECHCRAFT 200 (SUPER KING AIR).....	110
BEECHCRAFT C90B (KING AIR) .....	74-75	BEECHCRAFT 200 WITH BLR WINGLETS (SUPER KING AIR) .....	111
BEECHCRAFT C90GT (KING AIR) .....	76-77	BEECHCRAFT A200 (SUPER KING AIR).....	113
BEECHCRAFT C90GT WITH BLR WINGLETS (KING AIR).....	78-79	BEECHCRAFT A200C (SUPER KING AIR).....	114
BEECHCRAFT C90GTi (KING AIR) .....	80-81	BEECHCRAFT A200CT (SUPER KING AIR).....	115
BEECHCRAFT C90GTi WITH BLR WINGLETS (KING AIR).....	82-83	BEECHCRAFT B200 (SUPER KING AIR) .....	116
BEECHCRAFT C90GTx (KING AIR).....	84-85	BEECHCRAFT B200 WITH BLR WINGLETS (SUPER KING AIR) .....	117
BEECHCRAFT C90-1 (KING AIR) S/N LJ-986 THRU LJ-1062.....	86	BEECHCRAFT 200C (SUPER KING AIR).....	118
BEECHCRAFT E90 (KING AIR) S/N LW-1 THRU LW-119.....	87	BEECHCRAFT 200C WITH BLR WINGLETS (SUPER KING AIR) .....	119
BEECHCRAFT E90 (KING AIR) S/N LW-120 UP.....	88-89	BEECHCRAFT B200C (SUPER KING AIR) .....	120
BEECHCRAFT F90 (KING AIR).....	90	BEECHCRAFT B200C WITH BLR WINGLETS (SUPER KING AIR) .....	121
BEECHCRAFT F90-1 (KING AIR) .....	91	BEECHCRAFT 200CT (SUPER KING AIR).....	123
BEECHCRAFT H90 (T-44A) (KING AIR/PEGASUS) .....	92-93	BEECHCRAFT B200CT (SUPER KING AIR).....	124
BEECHCRAFT 95 (TRAVEL AIR) .....	94	BEECHCRAFT 200T (SUPER KING AIR) .....	125
BEECHCRAFT B95 (TRAVEL AIR) .....	95	BEECHCRAFT B200T (SUPER KING AIR).....	126
BEECHCRAFT B95A (TRAVEL AIR).....	96	BEECHCRAFT B200GT (SUPER KING AIR).....	127
BEECHCRAFT D95A (TRAVEL AIR).....	97	BEECHCRAFT B200GT WITH BLR WINGLETS (SUPER KING AIR) .....	129
BEECHCRAFT E95 (TRAVEL AIR).....	98	BEECHCRAFT RAISBECK CONVERSION 200 (SUPER KING AIR) .....	130
BEECHCRAFT 99 (AIRLINER).....	99	BEECHCRAFT RAISBECK CONVERSION 200C (SUPER KING AIR) .....	131
BEECHCRAFT 99A (AIRLINER).....	100	BEECHCRAFT RAISBECK CONVERSION 200CT (SUPER KING AIR) .....	132
BEECHCRAFT A99 (AIRLINER).....	101	BEECHCRAFT RAISBECK CONVERSION 200T (SUPER KING AIR) .....	133
BEECHCRAFT A99A (AIRLINER).....	102	BEECHCRAFT RAISBECK CONVERSION B200C (SUPER KING AIR) .....	134
BEECHCRAFT B99 (AIRLINER).....	103	BEECHCRAFT RAISBECK CONVERSION B200CT (SUPER KING AIR) .....	135
BEECHCRAFT C99 (COMMUTER).....	104		
BEECHCRAFT 100 (KING AIR) .....	105		

## TABLE OF CONTENTS

BEECHCRAFT RAISBECK CONVERSION B200T (SUPER KING AIR) .....	136	CESSNA T210H (TURBO CENTURION).....	187
BEECHCRAFT 300 (SUPER KING AIR).....	137	CESSNA T210J (TURBO CENTURION) .....	188
BEECHCRAFT 300 WITH BLR WINGLETS (SUPER KING AIR) .....	138	CESSNA T210K (TURBO CENTURION) .....	189
BEECHCRAFT 300LW (SUPER KING AIR).....	139	CESSNA T210L (TURBO CENTURION).....	190
BEECHCRAFT 300LW WITH BLR WINGLETS (SUPER KING AIR) .....	140	CESSNA T210M (TURBO CENTURION).....	191
BEECHCRAFT B300 (SUPER KING AIR) .....	141	CESSNA T210M (TURBO CENTURION) S/N TO 21062968.....	192
BEECHCRAFT B300C (SUPER KING AIR) .....	142	CESSNA T210N (TURBO CENTURION).....	193
BEECHCRAFT 350 (SUPER KING AIR).....	143	CESSNA T210R (TURBO CENTURION) .....	194
BEECHCRAFT B350 (SUPER KING AIR) .....	144	CESSNA T303 (CRUSADER) .....	195-196
BEECHCRAFT 1900 (AIRLINER).....	145-146	CESSNA 310 .....	197-198
BEECHCRAFT 1900C (AIRLINER) S/N UB-1 UP .....	147-148	CESSNA 310A (MILITARY DESIGNATION U-3A) .....	199-200
BEECHCRAFT 1900C (AIRLINER) S/N UC-1 UP .....	149-152	CESSNA 310B.....	201-202
BEECHCRAFT 1900C (AIRLINER) S/N UC-31 UP.....	153-156	CESSNA 310C .....	203-204
BEECHCRAFT 1900D (AIRLINER) .....	157-158	CESSNA 310D.....	205-206
BEECHCRAFT 2000 (STARSHIP).....	159	CESSNA 310E (MILITARY DESIGNATION U-3B) .....	207-208
CESSNA 208 (CARAVAN).....	163-164	CESSNA 310F.....	209-210
CESSNA 208A (CARAVAN).....	165-168	CESSNA 310G.....	211-212
CESSNA 208B (GRAND CARAVAN) .....	169-172	CESSNA 310H.....	213-214
CESSNA 210 (CENTURION) .....	173	CESSNA 310I .....	215-216
CESSNA 210A (CENTURION) .....	174	CESSNA 310J.....	217-218
CESSNA 210H (CENTURION).....	175	CESSNA 310K.....	219-220
CESSNA 210J (CENTURION) .....	176	CESSNA 310L.....	221-222
CESSNA 210K (CENTURION) .....	177	CESSNA 310N.....	223-224
CESSNA 210L (CENTURION).....	178	CESSNA 310P.....	225-226
CESSNA 210M (CENTURION) S/N TO 21062968.....	179	CESSNA 310Q.....	227-228
CESSNA 210N (CENTURION) S/N 21062969 THRU 21064772.....	180	CESSNA 310R UP TO R0800.....	229-230
CESSNA 210R (CENTURION) .....	181	CESSNA 310R R0801 & UP.....	231-232
CESSNA P210N (PRESSURIZED CENTURION) S/N P21000001 THRU P21000120 .....	182	CESSNA 320 (SKYKNIGHT).....	234
CESSNA P210N (PRESSURIZED CENTURION) S/N P21000121 THRU P21000834 .....	183	CESSNA 320A (SKYKNIGHT).....	235
CESSNA P210R (PRESSURIZED CENTURION).....	184	CESSNA 320B (SKYKNIGHT) .....	236
CESSNA T210F (TURBO CENTURION).....	185	CESSNA 320C (SKYKNIGHT) .....	237
CESSNA T210G (TURBO CENTURION).....	186	CESSNA 320D (EXECUTIVE SKYKNIGHT) .....	238
		CESSNA 320E (EXECUTIVE SKYKNIGHT) .....	239
		CESSNA 320F (EXECUTIVE SKYKNIGHT) .....	240
		CESSNA 335 .....	242
		CESSNA 336 (SKYMASTER) .....	243

## TABLE OF CONTENTS

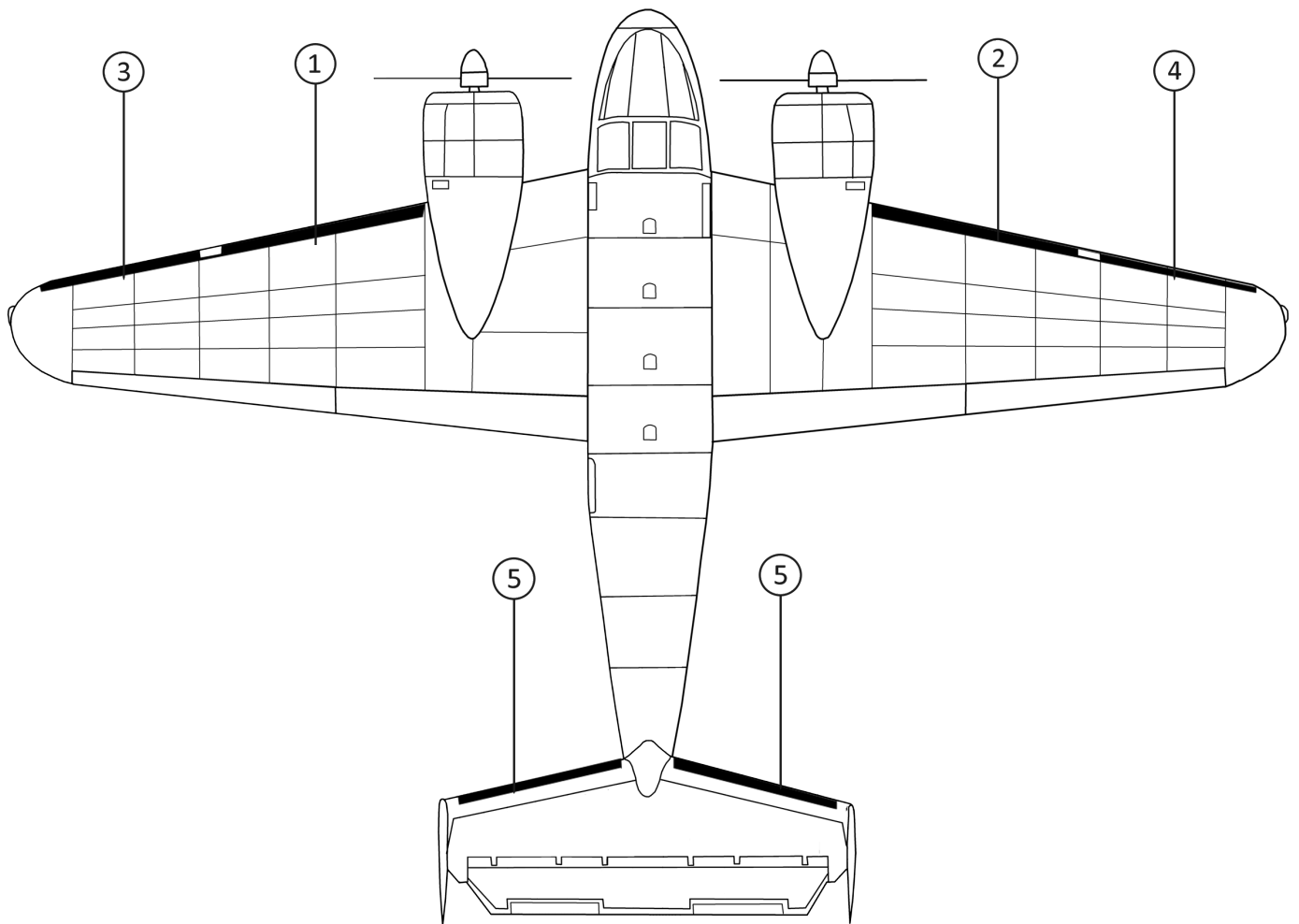
CESSNA 337 (SUPER SKYMASTER).....	244	CESSNA 414A (CHANCELLOR) WITH LIGHTS.....	291-292
CESSNA 337F/G/H (SUPER SKYMASTER)		CESSNA 421 (GOLDEN EAGLE) .....	293-294
S/N UP TO P33701763 .....	245	CESSNA 421A (GOLDEN EAGLE) .....	295-296
CESSNA 337F/G/H (SUPER SKYMASTER)		CESSNA 421B (GOLDEN EAGLE) S/N TO 421B012..	297-298
S/N P33701764 UP .....	246	CESSNA 421B (GOLDEN EAGLE) S/N 421B0121	
CESSNA T337F (TURBO SUPER SKYMASTER) .....	247	THRU 421B0800.....	299-300
CESSNA T337G (SUPER SKYMASTER) .....	248	CESSNA 421B (GOLDEN EAGLE)	
CESSNA T337H (TURBO SUPER SKYMASTER) .....	249	S/N 421B0801 UP.....	301-302
CESSNA T337H-SP (SUPER SKYMASTER) .....	250	CESSNA 421C (GOLDEN EAGLE) WITH LIGHTS.....	303-304
CESSNA 340 .....	251-252	CESSNA 421C (GOLDEN EAGLE) WITHOUT	
CESSNA 340A S/N 340A0001 THRU 340A0125 ....	253-254	LIGHTS.....	305-306
CESSNA 340A S/N 340A0201 UP.....	255-256	CESSNA 425 (CONQUEST I) S/N TO 425-0190.....	307
CESSNA 401 S/N TO 401-0144		CESSNA 425 (CONQUEST I) S/N 425-0191 UP.....	308
(UTILINER/BUSINESSLINER).....	257-258	CESSNA 441 (CONQUEST II) TO S/N 441-0102.....	309-310
CESSNA 401 S/N 401-0145 UP		CESSNA 441 (CONQUEST II) S/N 441-0103 UP.....	311-312
(UTILINER/BUSINESSLINER).....	259-260	CESSNA 500 (CITATION I) TO S/N 500-0349.....	313-314
CESSNA 401A (UTILINER/BUSINESSLINER).....	261-262	CESSNA 500 (CITATION I) S/N 500-0350 & UP.....	315-316
CESSNA 401B (UTILINER/BUSINESSLINER SERIES)	263-264	CESSNA 501 (CITATION 1/SP) .....	317-318
CESSNA 402 (UTILINER/BUSINESSLINER)		CESSNA 510 (MUSTANG).....	319
S/N TO 402-0144 .....	265-266	CESSNA 525 (CITATIONJET CJ1) THRU S/N 525-0501..	320
CESSNA 402 (UTILINER/BUSINESSLINER)		CESSNA 525 (CITATIONJET CJ1) S/N 525-0502 UP.....	321
S/N 402-0145 UP .....	267-268	CESSNA 525A (CITATIONJET CJ2) .....	322
CESSNA 402A (UTILINER/BUSINESSLINER).....	269-270	CESSNA 525B (CITATIONJET CJ3).....	323
CESSNA 402B (UTILINER/BUSINESSLINER)		CESSNA 525C (CITATIONJET CJ4) .....	324
S/N TO 402B0800.....	271-272	CESSNA 550 (CITATION II/BRAVO).....	325-326
CESSNA 402B (UTILINER/BUSINESSLINER)		CESSNA 551 (CITATION II/SP) .....	327-328
S/N 402B801 UP .....	273	CESSNA 560 (CITATION V/ULTRA).....	330
CESSNA 402C (UTILINER/BUSINESSLINER).....	275-276	CESSNA 560 XL (EXCEL).....	331-332
CESSNA 404 (TITAN) TO S/N 404-0600.....	277-278	CESSNA 560 XLS (EXCEL) .....	333-334
CESSNA 404 (TITAN) S/N 404-0601 UP.....	279-280	CESSNA 560 XLS+ (EXCEL) .....	335-336
CESSNA (REIMS) F-406 .....	281-282	PNEUMATIC DE-ICING SYSTEM COMPONENTS.....	337
CESSNA 411 .....	283-284	INSTALLATION, MAINTENANCE & REPAIR	
CESSNA 414 (CHANCELLOR) S/N TO 414-0600.....	285-286	MATERIALS .....	338-341
CESSNA 414 (CHANCELLOR) S/N 414-0601 UP.....	287	PROP DE-ICERS AND HARDWARD KITS.....	342-357
CESSNA 414A (CHANCELLOR) WITHOUT		COLLINS AEROSPACE "ON-CONDITION"	
LIGHTS.....	289-290	STATEMENT FOR AGE-SENSITIVE PRODUCTS .....	358-361

**BEECHCRAFT 18 (TWIN BEECH) W/ STC SA1171WE (VOLPAR), SA1636WE, SA2204WE**

**STANDARD DE-ICE BOOTS**

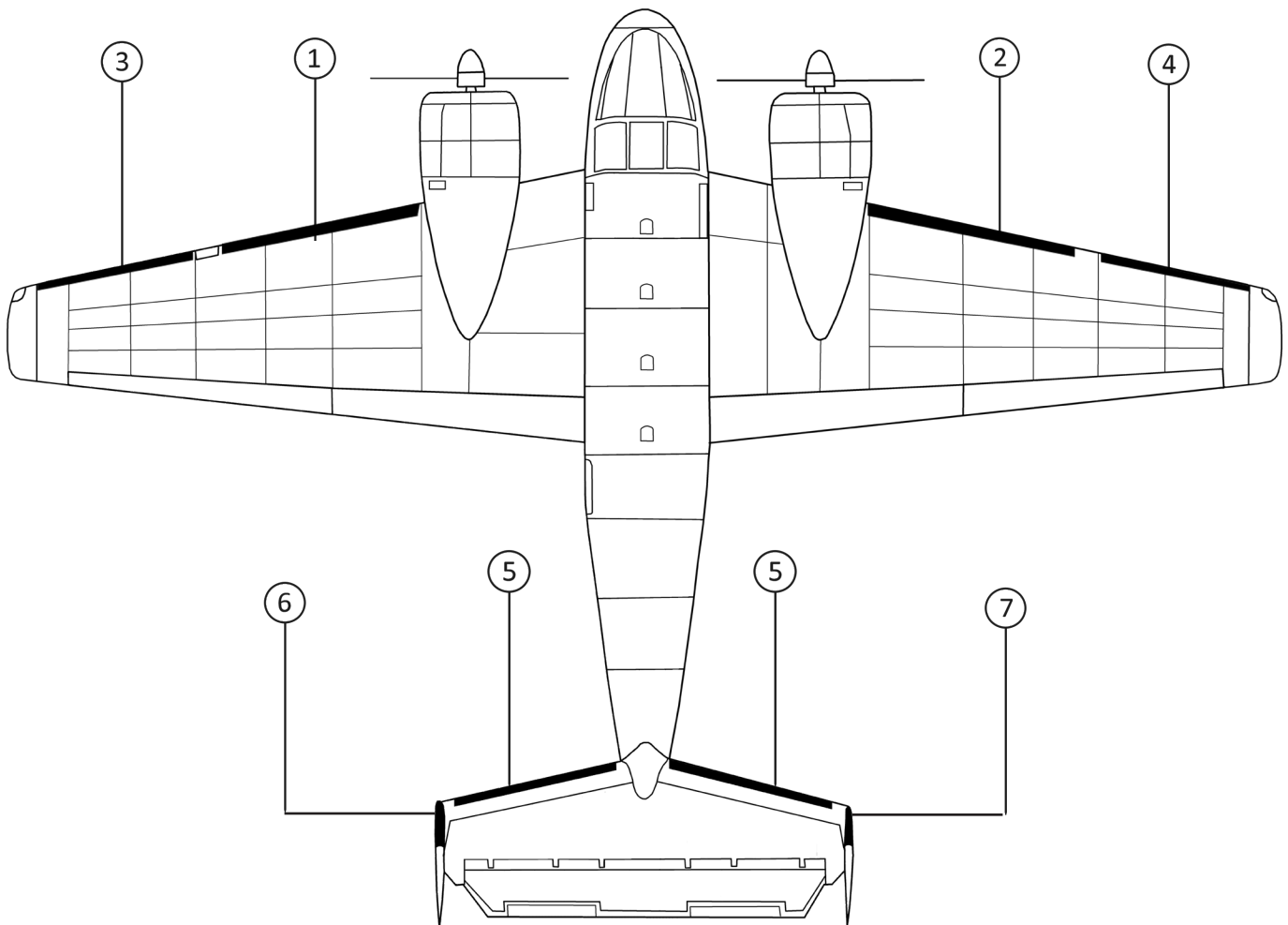
POSITION ID	GOODRICH PART NUMBER	AIRCRAFT OEM P/N	DESCRIPTION	QTY PER AIRCRAFT	WT
1	23S-2081-9-1	18-381000-9	NACELLE-BREAK LH DE-ICE BOOT	1	2.2
2	23S-2081-9-2	18-381000-10	NACELLE-BREAK RH DE-ICE BOOT	1	2.2
3	23S-2081-8-1		LIGHT-TIP LH DE-ICE BOOT	1	5.6
4	23S-2081-8-2		LIGHT-TIP RH DE-ICE BOOT	1	5.6
5	23S-2081-2-1	18-3811000-7	HORIZONTAL STABILIZER LH/RH DE-ICE BOOT	2	3.3

**BEECHCRAFT 18 (TWIN BEECH) W/ STC SA1171WE (VOLPAR), SA1636WE, SA2204WE**



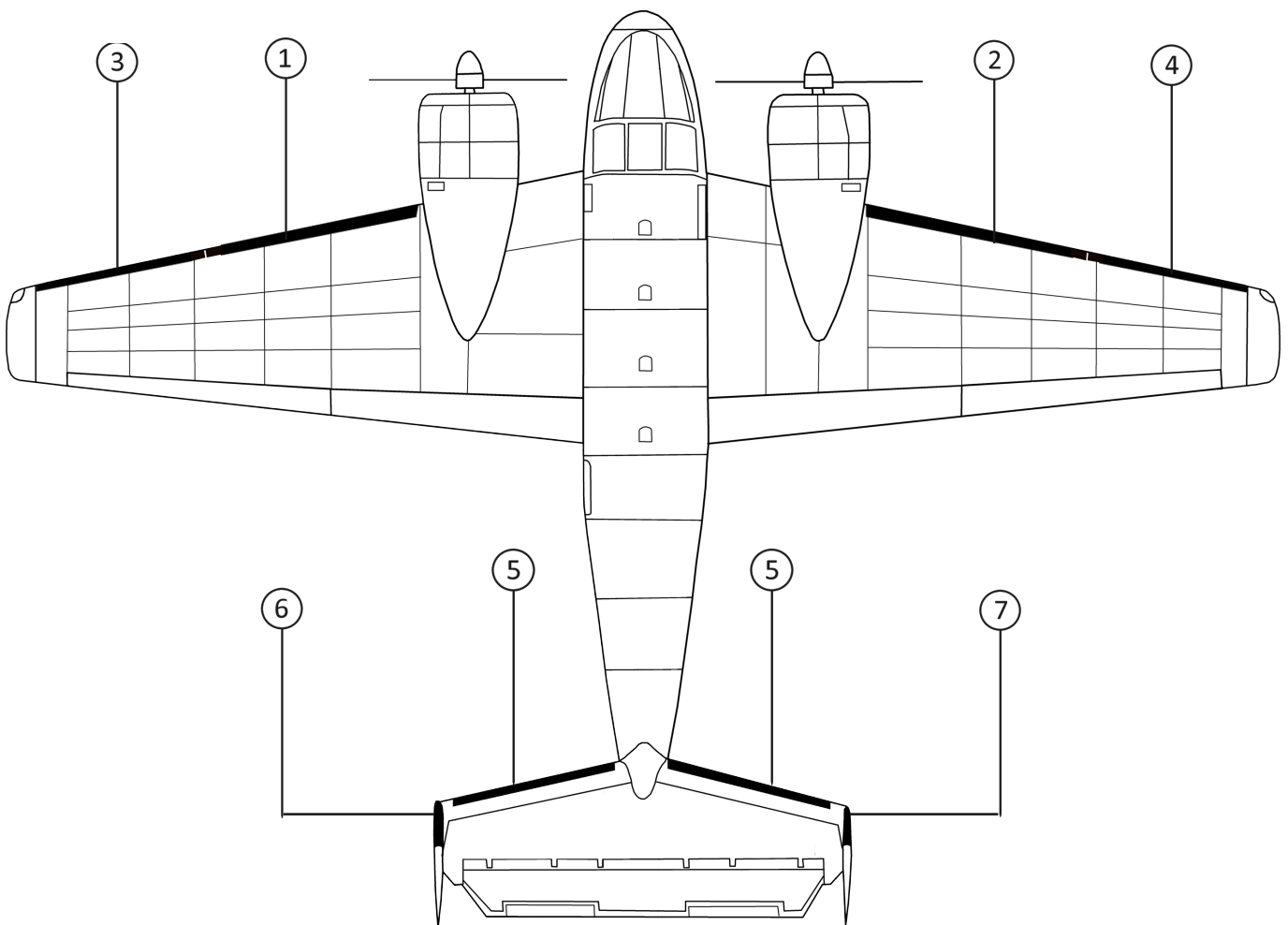
**BEECHCRAFT D18 (TWIN BEECH) WITH CONRAD WING TIPS (WITH LIGHT)**
**STANDARD DE-ICE BOOTS**

POSITION ID	GOODRICH PART NUMBER	AIRCRAFT OEM P/N	DESCRIPTION	QTY PER AIRCRAFT	WT
1	23S-2081-9-1	18-381000-9	NACELLE-BREAK LH DE-ICE BOOT	1	2.2
2	23S-2081-9-2	18-381000-10	NACELLE-BREAK RH DE-ICE BOOT	1	2.2
3	23S-2081-11-1	18-381000-13	BREAK-TIP LH DE-ICE BOOT	1	4.5
4	23S-2081-11-2	18-381000-14	BREAK-TIP RH DE-ICE BOOT	1	4.5
5	23S-2081-2-1	18-3811000-7	HORIZONTAL STABILIZER LH/RH DE-ICE BOOT	2	3.3
6	23S-2081-13-1	18-381000-15	VERTICAL STABILIZER LH DE-ICE BOOT	1	1.3
7	23S-2081-13-2	18-381000-16	VERTICAL STABILIZER RH DE-ICE BOOT	1	1.3


**BEECHCRAFT D18 (TWIN BEECH) WITH CONRAD WING TIPS (WITH LIGHT)**

**BEECHCRAFT D18 (TWIN BEECH) WITH CONRAD WING TIPS (WITHOUT LIGHT)**
**STANDARD DE-ICE BOOTS**

POSITION ID	GOODRICH PART NUMBER	AIRCRAFT OEM P/N	DESCRIPTION	QTY PER AIRCRAFT	WT
1	23S-2081-9-1	18-381000-9	NACELLE-BREAK LH DE-ICE BOOT	1	2.2
2	23S-2081-9-2	18-381000-10	NACELLE-BREAK RH DE-ICE BOOT	1	2.2
3	23S-2081-10-1	18-381000-11	BREAK-TIP LH DE-ICE BOOT	1	5.1
4	23S-2081-10-2	18-381000-12	BREAK-TIP RH DE-ICE BOOT	1	5.1
5	23S-2081-2-1	18-3811000-7	HORIZONTAL STABILIZER LH/RH DE-ICE BOOT	2	3.3
6	23S-2081-13-1	18-381000-15	VERTICAL STABILIZER LH DE-ICE BOOT	1	1.3
7	23S-2081-13-2	18-381000-16	VERTICAL STABILIZER RH DE-ICE BOOT	1	1.3

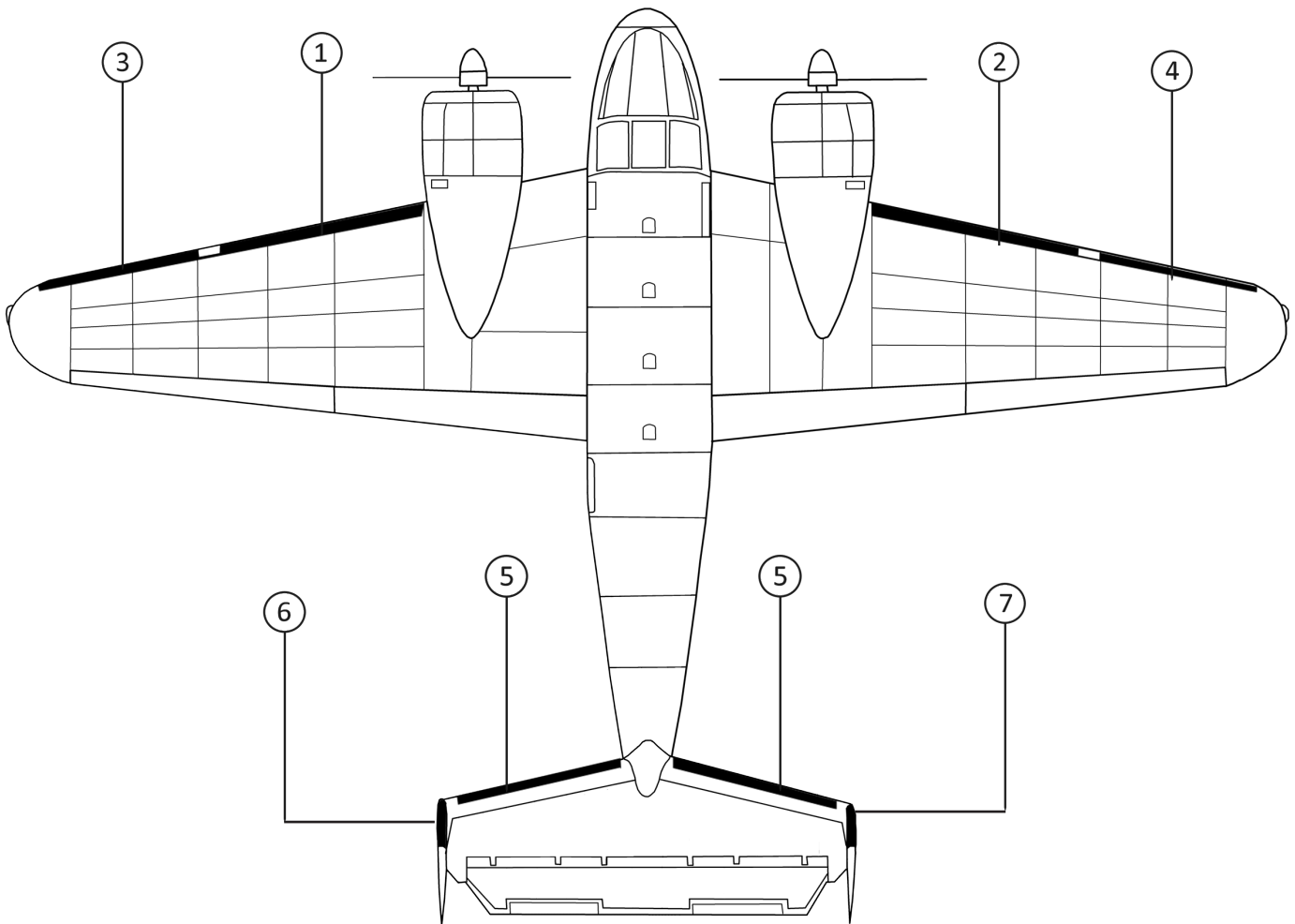
**BEECHCRAFT D18 (TWIN BEECH) WITH CONRAD WING TIPS (WITHOUT LIGHT)**




**BEECHCRAFT D18C (TWIN BEECH) (WITH LIGHT)**

**STANDARD DE-ICE BOOTS**

POSITION ID	GOODRICH PART NUMBER	AIRCRAFT OEM P/N	DESCRIPTION	QTY PER AIRCRAFT	WT
1	23S-2081-9-1	18-381000-9	NACELLE-BREAK LH DE-ICE BOOT	1	2.2
2	23S-2081-9-2	18-381000-10	NACELLE-BREAK RH DE-ICE BOOT	1	2.2
3	23S-2081-11-1	18-381000-13	BREAK-TIP LH DE-ICE BOOT	1	4.5
4	23S-2081-11-2	18-381000-14	BREAK-TIP RH DE-ICE BOOT	1	4.5
5	23S-2081-2-1	18-3811000-7	HORIZONTAL STABILIZER LH/RH DE-ICE BOOT	2	3.3
6	23S-2081-13-1	18-381000-15	VERTICAL STABILIZER LH DE-ICE BOOT	1	1.3
7	23S-2081-13-2	18-381000-16	VERTICAL STABILIZER RH DE-ICE BOOT	1	1.3



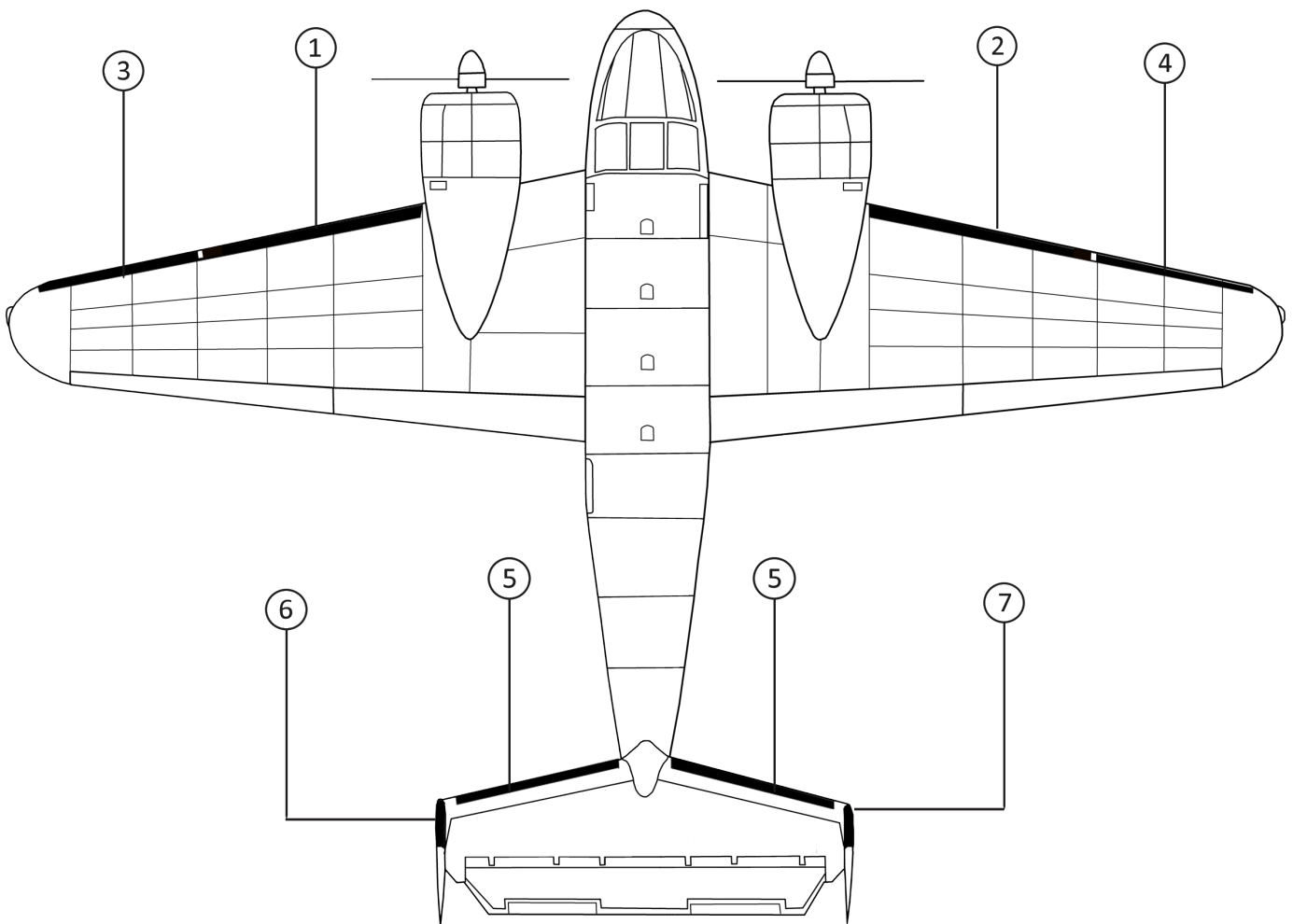
**BEECHCRAFT D18C (TWIN BEECH) (WITH LIGHT)**

**BEECHCRAFT D18C (TWIN BEECH) (WITHOUT LIGHT)**

**STANDARD DE-ICE BOOTS**

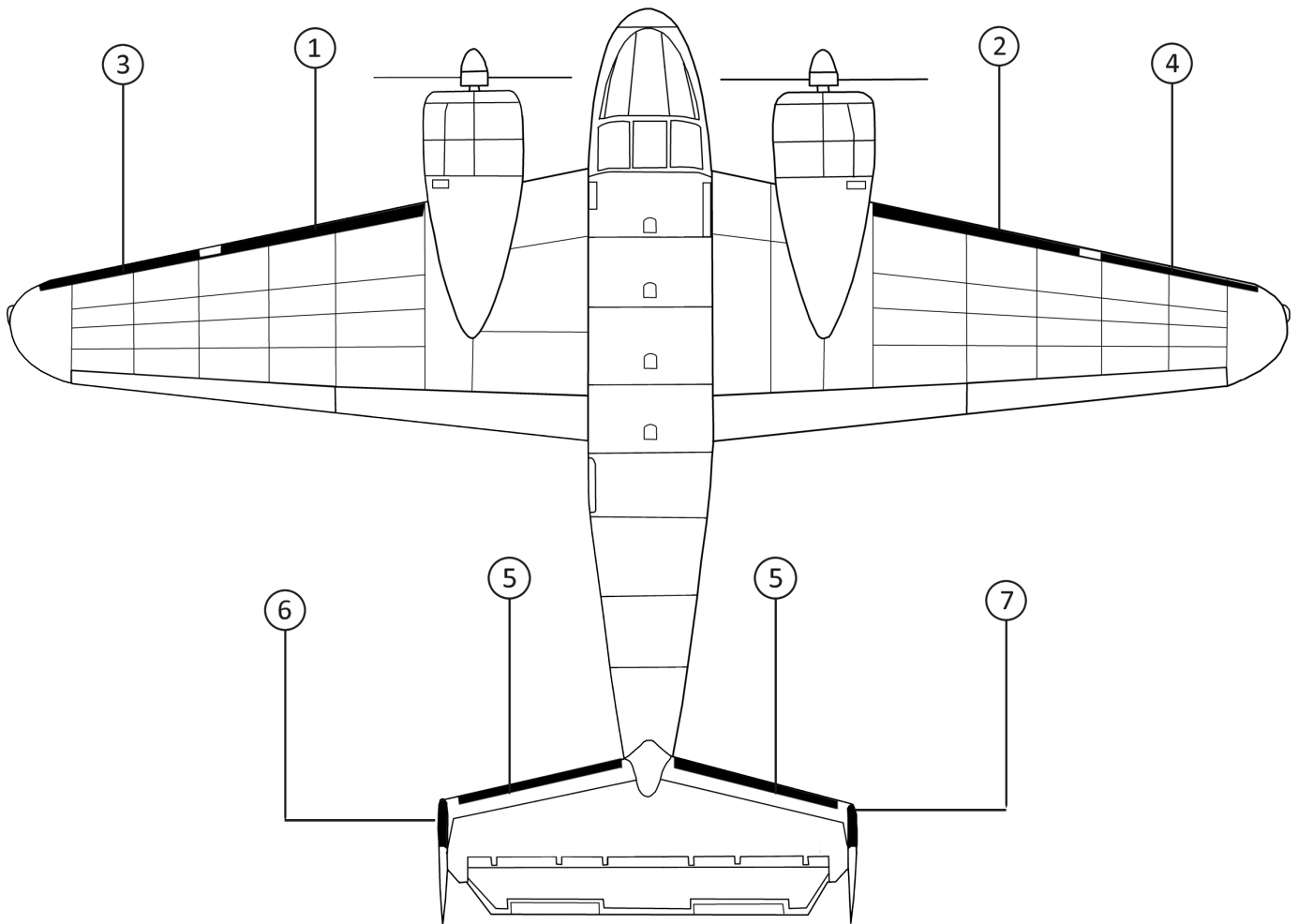
POSITION ID	GOODRICH PART NUMBER	AIRCRAFT OEM P/N	DESCRIPTION	QTY PER AIRCRAFT	WT
1	23S-2081-9-1	18-381000-9	NACELLE-BREAK LH DE-ICE BOOT	1	2.2
2	23S-2081-9-2	18-381000-10	NACELLE-BREAK RH DE-ICE BOOT	1	2.2
3	23S-2081-10-1	18-381000-11	BREAK-TIP LH DE-ICE BOOT	1	5.1
4	23S-2081-10-2	18-381000-12	BREAK-TIP RH DE-ICE BOOT	1	5.1
5	23S-2081-2-1	18-3811000-7	HORIZONTAL STABILIZER LH/RH DE-ICE BOOT	2	3.3
6	23S-2081-13-1	18-381000-15	VERTICAL STABILIZER LH DE-ICE BOOT	1	1.3
7	23S-2081-13-2	18-381000-16	VERTICAL STABILIZER RH DE-ICE BOOT	1	1.3

**BEECHCRAFT D18C (TWIN BEECH) (WITHOUT LIGHT)**



**BEECHCRAFT D18S (TWIN BEECH) (WITH LIGHT)**
**STANDARD DE-ICE BOOTS**

POSITION ID	GOODRICH PART NUMBER	AIRCRAFT OEM P/N	DESCRIPTION	QTY PER AIRCRAFT	WT
1	23S-2081-9-1	18-381000-9	NACELLE-BREAK LH DE-ICE BOOT	1	2.2
2	23S-2081-9-2	18-381000-10	NACELLE-BREAK RH DE-ICE BOOT	1	2.2
3	23S-2081-11-1	18-381000-13	BREAK-TIP LH DE-ICE BOOT	1	4.5
4	23S-2081-11-2	18-381000-14	BREAK-TIP RH DE-ICE BOOT	1	4.5
5	23S-2081-2-1	18-3811000-7	HORIZONTAL STABILIZER LH/RH DE-ICE BOOT	2	3.3
6	23S-2081-13-1	18-381000-15	VERTICAL FIN LH DE-ICE BOOT	1	1.3
7	23S-2081-13-2	18-381000-16	VERTICAL FIN RH DE-ICE BOOT	1	1.3

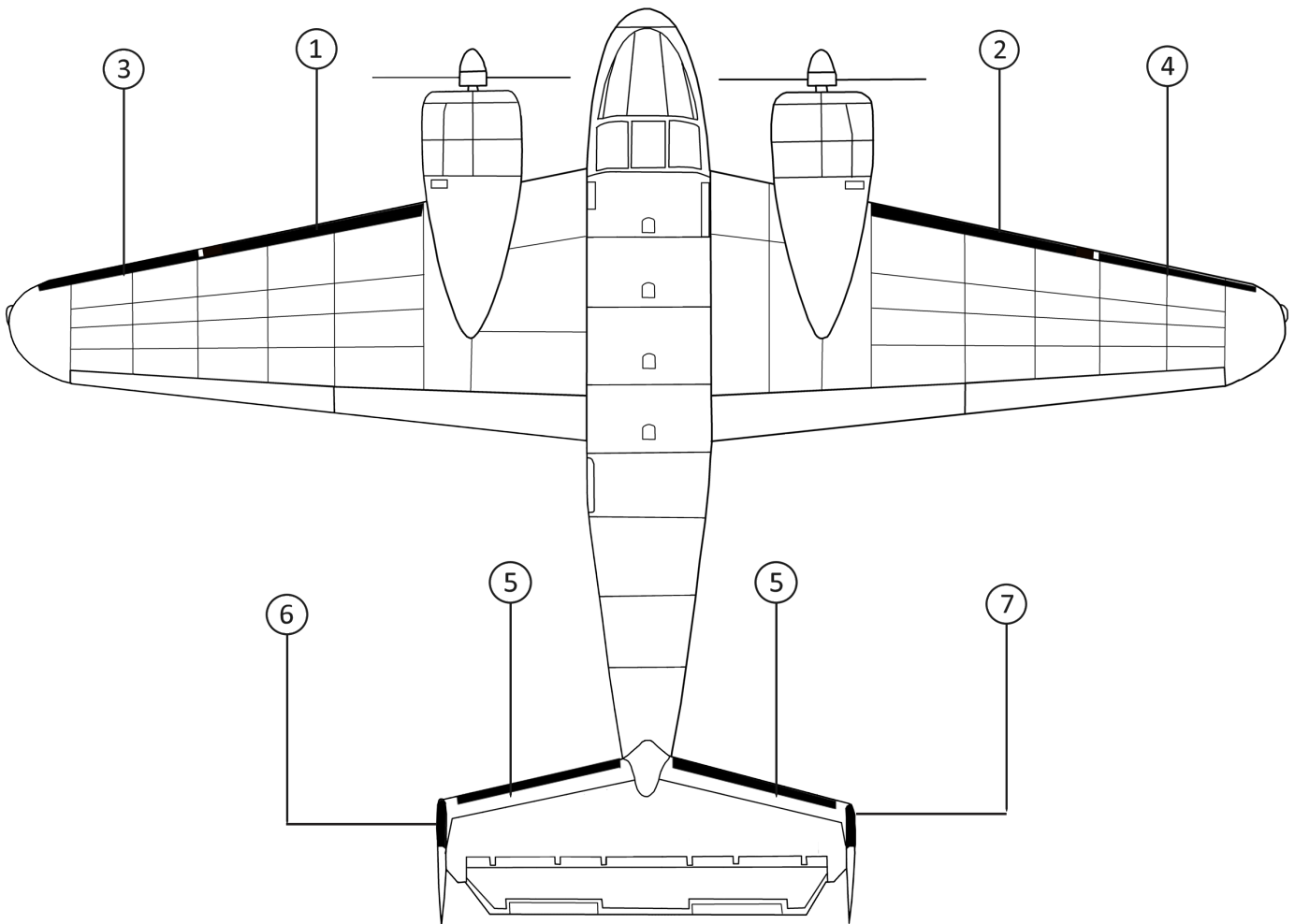

**BEECHCRAFT D18S (TWIN BEECH) (WITH LIGHT)**

**BEECHCRAFT D18S (TWIN BEECH) (WITHOUT LIGHT)**

**STANDARD DE-ICE BOOTS**

POSITION ID	GOODRICH PART NUMBER	AIRCRAFT OEM P/N	DESCRIPTION	QTY PER AIRCRAFT	WT
1	23S-2081-9-1	18-381000-9	NACELLE-BREAK LH DE-ICE BOOT	1	2.2
2	23S-2081-9-2	18-381000-10	NACELLE-BREAK RH DE-ICE BOOT	1	2.2
3	23S-2081-10-1	18-381000-11	BREAK-TIP LH DE-ICE BOOT	1	5.1
4	23S-2081-10-2	18-381000-12	BREAK-TIP RH DE-ICE BOOT	1	5.1
5	23S-2081-2-1	18-3811000-7	HORIZONTAL STABILIZER LH/RH DE-ICE BOOT	2	3.3
6	23S-2081-13-1	18-381000-15	VERTICAL STABILIZER LH DE-ICE BOOT	1	1.3
7	23S-2081-13-2	18-381000-16	VERTICAL STABILIZER RH DE-ICE BOOT	1	1.3

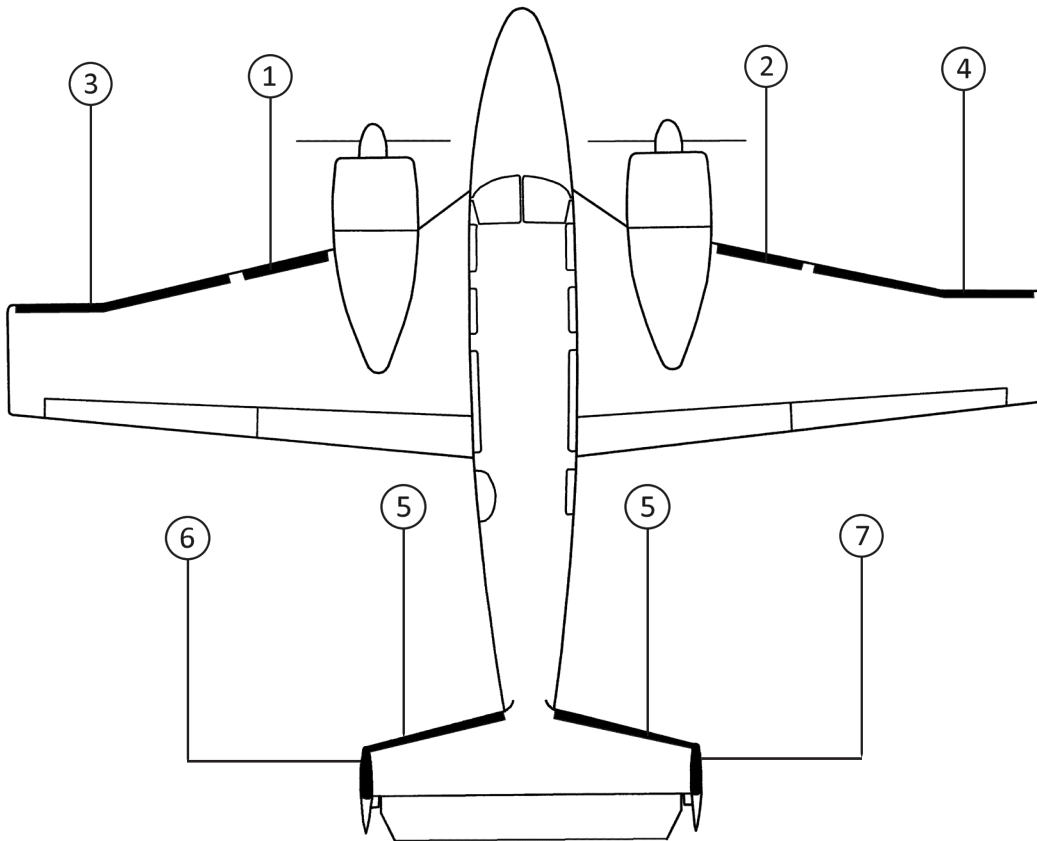
**BEECHCRAFT D18S (TWIN BEECH) (WITHOUT LIGHT)**



**BEECHCRAFT E18S (TWIN BEECH) (WITH LIGHT)**

**STANDARD DE-ICE BOOTS**

POSITION ID	GOODRICH PART NUMBER	AIRCRAFT OEM P/N	DESCRIPTION	QTY PER AIRCRAFT	WT
1	23S-2081-9-1	18-381000-9	NACELLE-BREAK LH DE-ICE BOOT	1	2.2
2	23S-2081-9-2	18-381000-10	NACELLE-BREAK RH DE-ICE BOOT	1	2.2
3	23S-2081-8-1		LIGHT-TIP LH DE-ICE BOOT	1	5.6
4	23S-2081-8-2		LIGHT-TIP RH DE-ICE BOOT	1	5.6
5	23S-2081-2-1	18-3811000-7	HORIZONTAL STABILIZER LH/RH DE-ICE BOOT	2	3.3
6	23S-2081-13-1	18-381000-15	VERTICAL STABILIZER LH DE-ICE BOOT	1	1.3
7	23S-2081-13-2	18-381000-16	VERTICAL STABILIZER RH DE-ICE BOOT	1	1.3

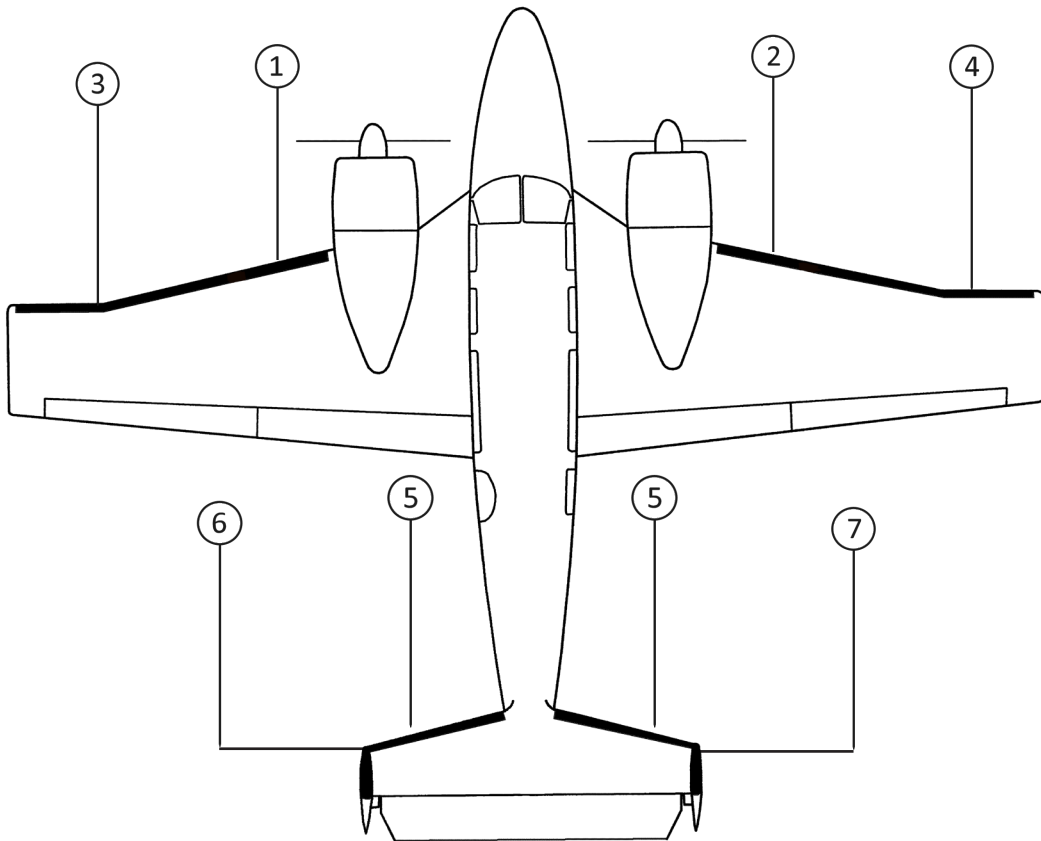


**BEECHCRAFT E18S (TWIN BEECH) (WITH LIGHT)**

**BEECHCRAFT E18S (TWIN BEECH) (WITHOUT LIGHT)**

**STANDARD DE-ICE BOOTS**

POSITION ID	GOODRICH PART NUMBER	AIRCRAFT OEM P/N	DESCRIPTION	QTY PER AIRCRAFT	WT
1	23S-2081-9-1	18-381000-9	NACELLE-BREAK LH DE-ICE BOOT	1	2.2
2	23S-2081-9-2	18-381000-10	NACELLE-BREAK RH DE-ICE BOOT	1	2.2
3	23S-2081-10-1	18-381000-11	BREAK-TIP LH DE-ICE BOOT	1	5.1
4	23S-2081-10-2	18-381000-12	BREAK-TIP RH DE-ICE BOOT	1	5.1
5	23S-2081-2-1	18-3811000-7	HORIZONTAL STABILIZER LH/RH DE-ICE BOOT	2	3.3
6	23S-2081-13-1	18-381000-15	VERTICAL STABILIZER LH DE-ICE BOOT	1	1.3
7	23S-2081-13-2	18-381000-16	VERTICAL STABILIZER RH DE-ICE BOOT	1	1.3

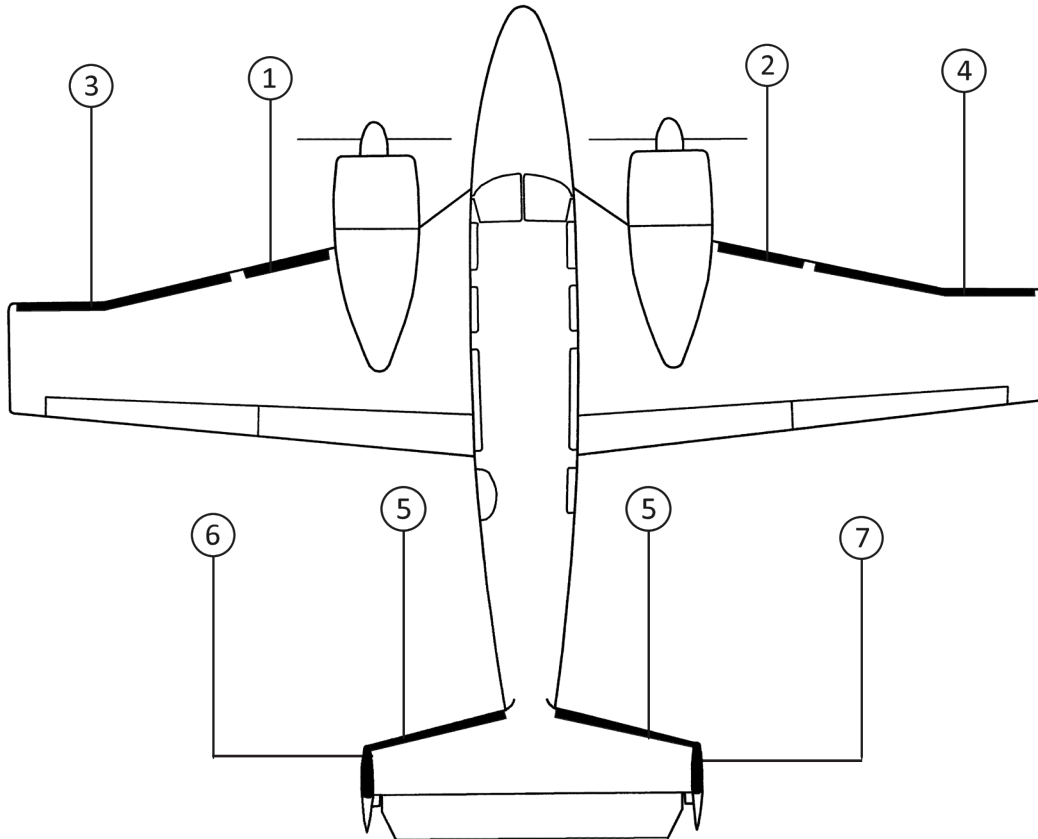


**BEECHCRAFT E18S (TWIN BEECH) (WITHOUT LIGHT)**

**BEECHCRAFT E18S-9700 (TWIN BEECH)**

**STANDARD DE-ICE BOOTS**

POSITION ID	GOODRICH PART NUMBER	AIRCRAFT OEM P/N	DESCRIPTION	QTY PER AIRCRAFT	WT
1	23S-2081-7-1		NACELLE-LIGHT LH DE-ICE BOOT	1	3.4
2	23S-2081-7-2		NACELLE-LIGHT RH DE-ICE BOOT	1	3.4
3	23S-2081-8-1		LIGHT-TIP LH DE-ICE BOOT	1	5.6
4	23S-2081-8-2		LIGHT-TIP RH DE-ICE BOOT	1	5.6
5	23S-2081-2-1	18-3811000-7	HORIZONTAL STABILIZER LH/RH DE-ICE BOOT	1	3.3
6	23S-2081-6-1		VERTICAL STABILIZER LH DE-ICE BOOT	1	1.3
7	23S-2081-6-2		VERTICAL STABILIZER RH DE-ICE BOOT	1	1.3



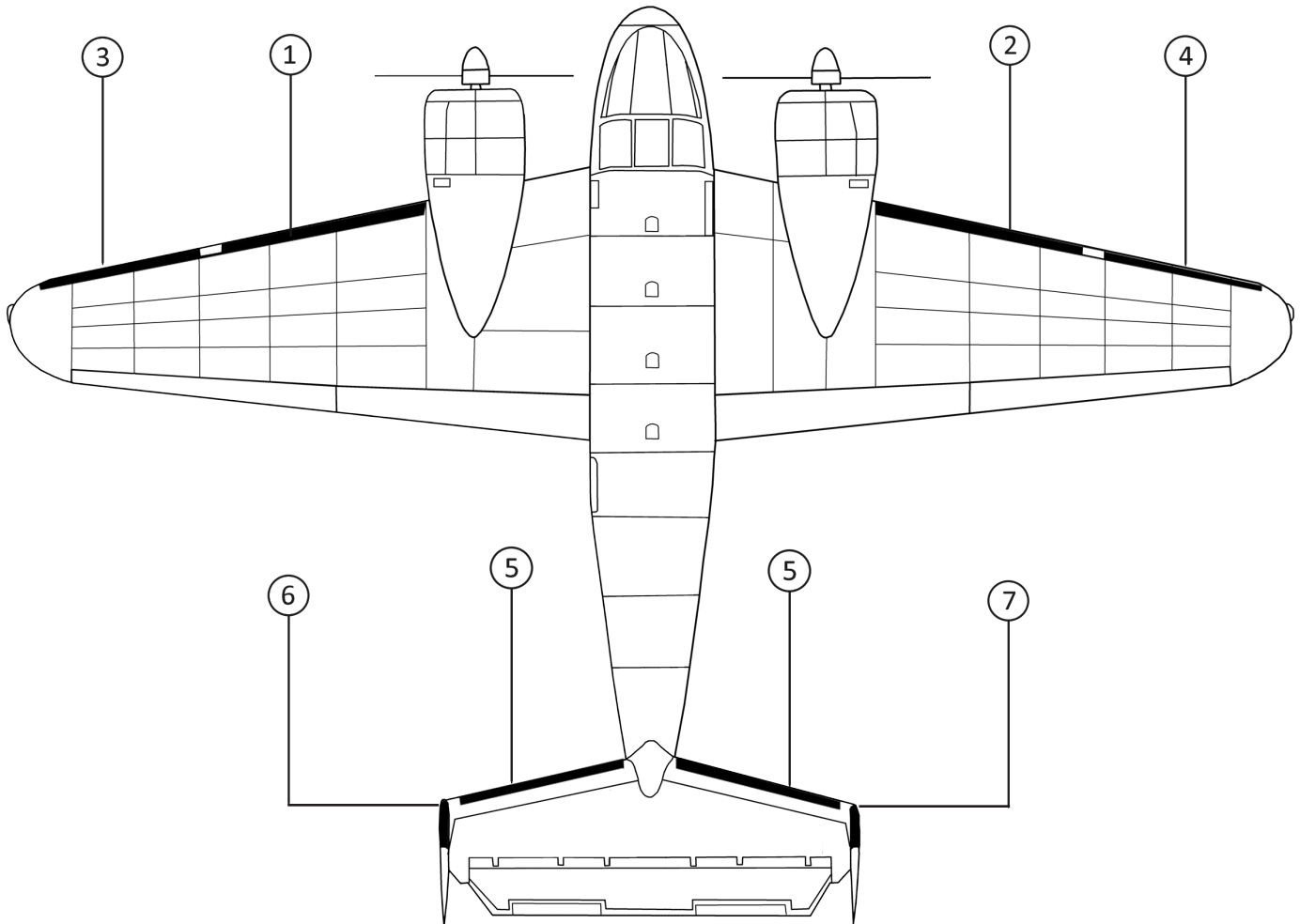
**BEECHCRAFT E18S-9700 (TWIN BEECH)**

**BEECHCRAFT H18 (TWIN BEECH) (WITH LIGHT)**

**STANDARD DE-ICE BOOTS**

POSITION ID	GOODRICH PART NUMBER	AIRCRAFT OEM P/N	DESCRIPTION	QTY PER AIRCRAFT	WT
1	23S-2081-9-1	18-381000-9	NACELLE-BREAK LH DE-ICE BOOT	1	2.2
2	23S-2081-9-2	18-381000-10	NACELLE-BREAK RH DE-ICE BOOT	1	2.2
3	23S-2081-11-1	18-381000-13	BREAK-TIP LH DE-ICE BOOT	1	4.5
4	23S-2081-11-2	18-381000-14	BREAK-TIP RH DE-ICE BOOT	1	4.5
5	23S-2081-2-1	18-3811000-7	HORIZONTAL STABILIZER LH/RH DE-ICE BOOT	2	3.3
6	23S-2081-13-1	18-381000-15	VERTICAL STABILIZER LH DE-ICE BOOT	1	1.3
7	23S-2081-13-2	18-381000-16	VERTICAL STABILIZER RH DE-ICE BOOT	1	1.3

**BEECHCRAFT H18 (TWIN BEECH)**

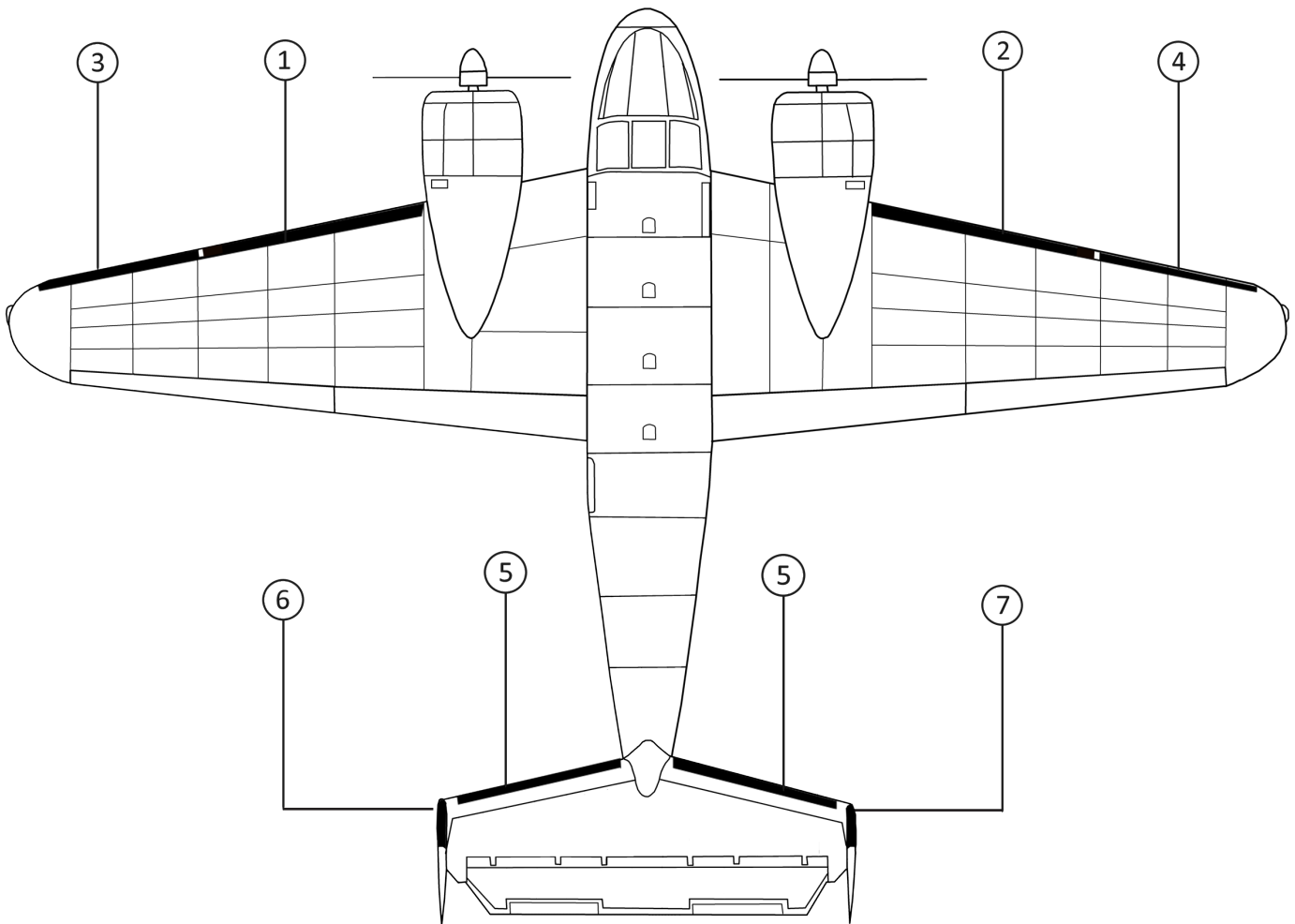




**BEECHCRAFT H18 (TWIN BEECH) (WITHOUT LIGHT)**

**STANDARD DE-ICE BOOTS**

POSITION ID	GOODRICH PART NUMBER	AIRCRAFT OEM P/N	DESCRIPTION	QTY PER AIRCRAFT	WT
1	23S-2081-9-1	18-381000-9	NACELLE-BREAK LH DE-ICE BOOT	1	2.2
2	23S-2081-9-2	18-381000-10	NACELLE-BREAK RH DE-ICE BOOT	1	2.2
3	23S-2081-10-1	18-381000-11	BREAK-TIP LH DE-ICE BOOT	1	5.1
4	23S-2081-10-2	18-381000-12	BREAK-TIP RH DE-ICE BOOT	1	5.1
5	23S-2081-2-1	18-3811000-7	HORIZONTAL STABILIZER LH/RH DE-ICE BOOT	2	3.3
6	23S-2081-13-1	18-381000-15	VERTICAL STABILIZER LH DE-ICE BOOT	1	1.3
7	23S-2081-13-2	18-381000-16	VERTICAL STABILIZER RH DE-ICE BOOT	1	1.3



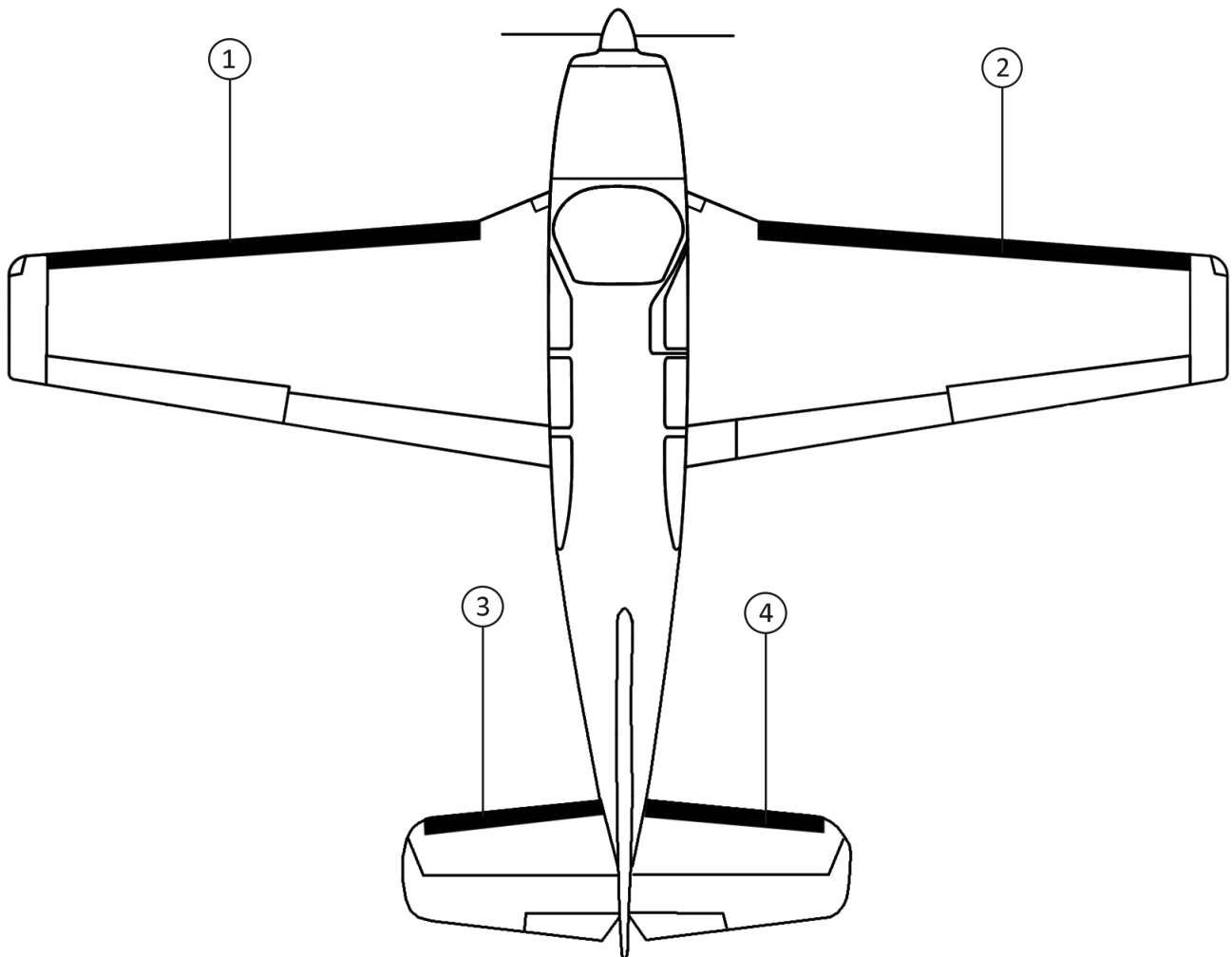
**BEECHCRAFT H18 (TWIN BEECH)**

**BEECHCRAFT 36 (BONANZA)**
**STANDARD DE-ICE BOOTS**

POSITION ID	GOODRICH PART NUMBER	AIRCRAFT OEM P/N	DESCRIPTION	QTY PER AIRCRAFT	WT
1	25S-5D5129-01		WING LH DE-ICE BOOT	1	3.9
2	25S-5D5129-02		WING RH DE-ICE BOOT	1	3.9
3	25S-5D5129-03		HORIZONTAL STABILIZER LH DE-ICE BOOT	1	1.5
4	25S-5D5129-04		HORIZONTAL STABILIZER RH DE-ICE BOOT	1	1.5

**OPTIONAL STANDARD DE-ICE BOOTS**

POSITION ID	GOODRICH PART NUMBER	AIRCRAFT OEM P/N	DESCRIPTION	QTY PER AIRCRAFT	WT
1	25S-5D5129-05		WING LH DE-ICE BOOT (WINGS WITH VORTEX GENERATORS)	1	4.8
2	25S-5D5129-06		WING RH DE-ICE BOOT (WINGS WITH VORTEX GENERATORS)	1	4.8

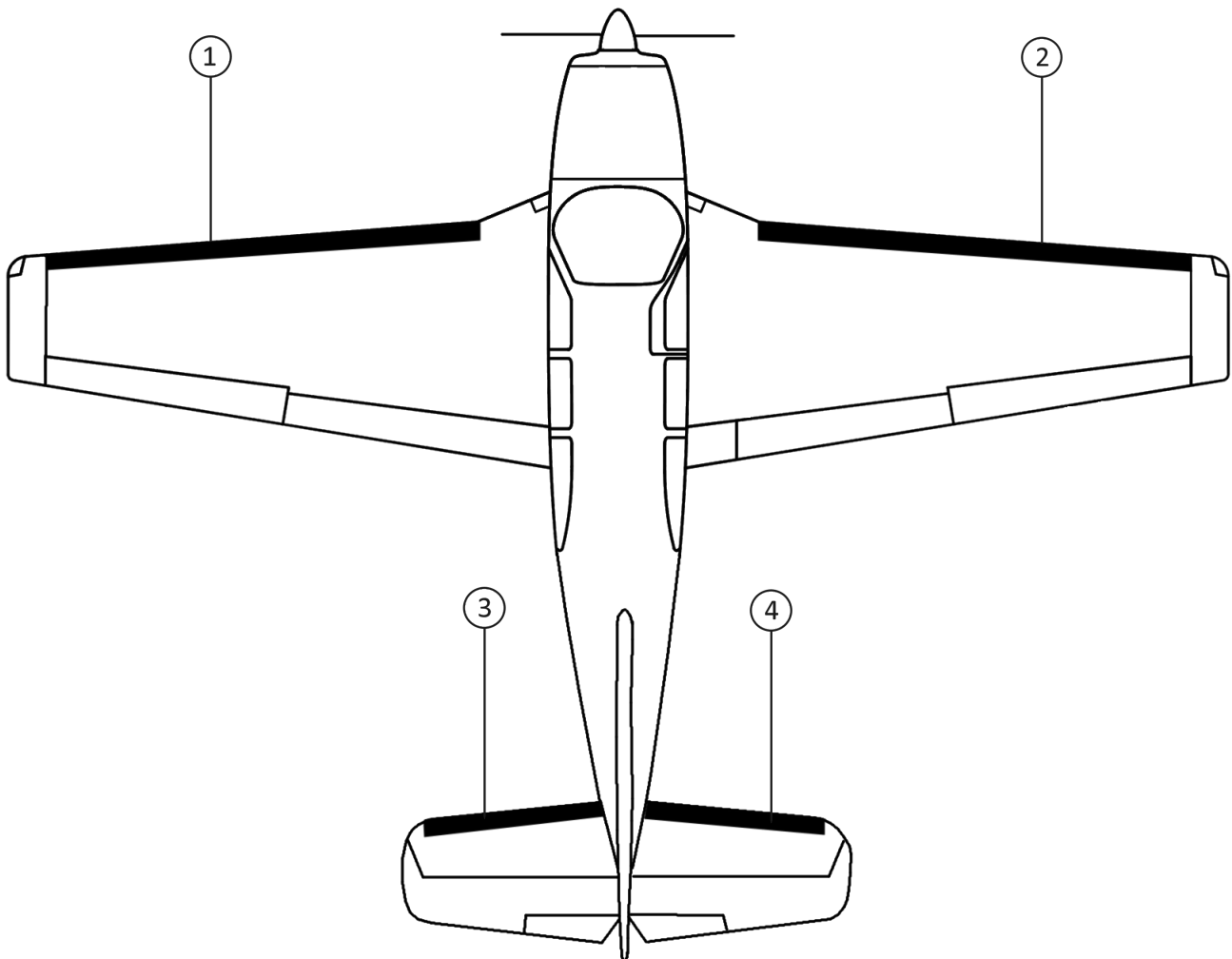

**BEECHCRAFT 36 (BONANZA)**

**BEECHCRAFT A36 (BONANZA)**
**STANDARD DE-ICE BOOTS**

POSITION ID	GOODRICH PART NUMBER	AIRCRAFT OEM P/N	DESCRIPTION	QTY PER AIRCRAFT	WT
1	25S-5D5129-01		WING LH DE-ICE BOOT	1	3.9
2	25S-5D5129-02		WING RH DE-ICE BOOT	1	3.9
3	25S-5D5129-03		HORIZONTAL STABILIZER LH DE-ICE BOOT	1	1.5
4	25S-5D5129-04		HORIZONTAL STABILIZER RH DE-ICE BOOT	1	1.5

**OPTIONAL STANDARD DE-ICE BOOTS**

POSITION ID	GOODRICH PART NUMBER	AIRCRAFT OEM P/N	DESCRIPTION	QTY PER AIRCRAFT	WT
1	25S-5D5129-05		WING LH DE-ICE BOOT (WINGS WITH VORTEX GENERATORS)	1	4.8
2	25S-5D5129-06		WING RH DE-ICE BOOT (WINGS WITH VORTEX GENERATORS)	1	4.8

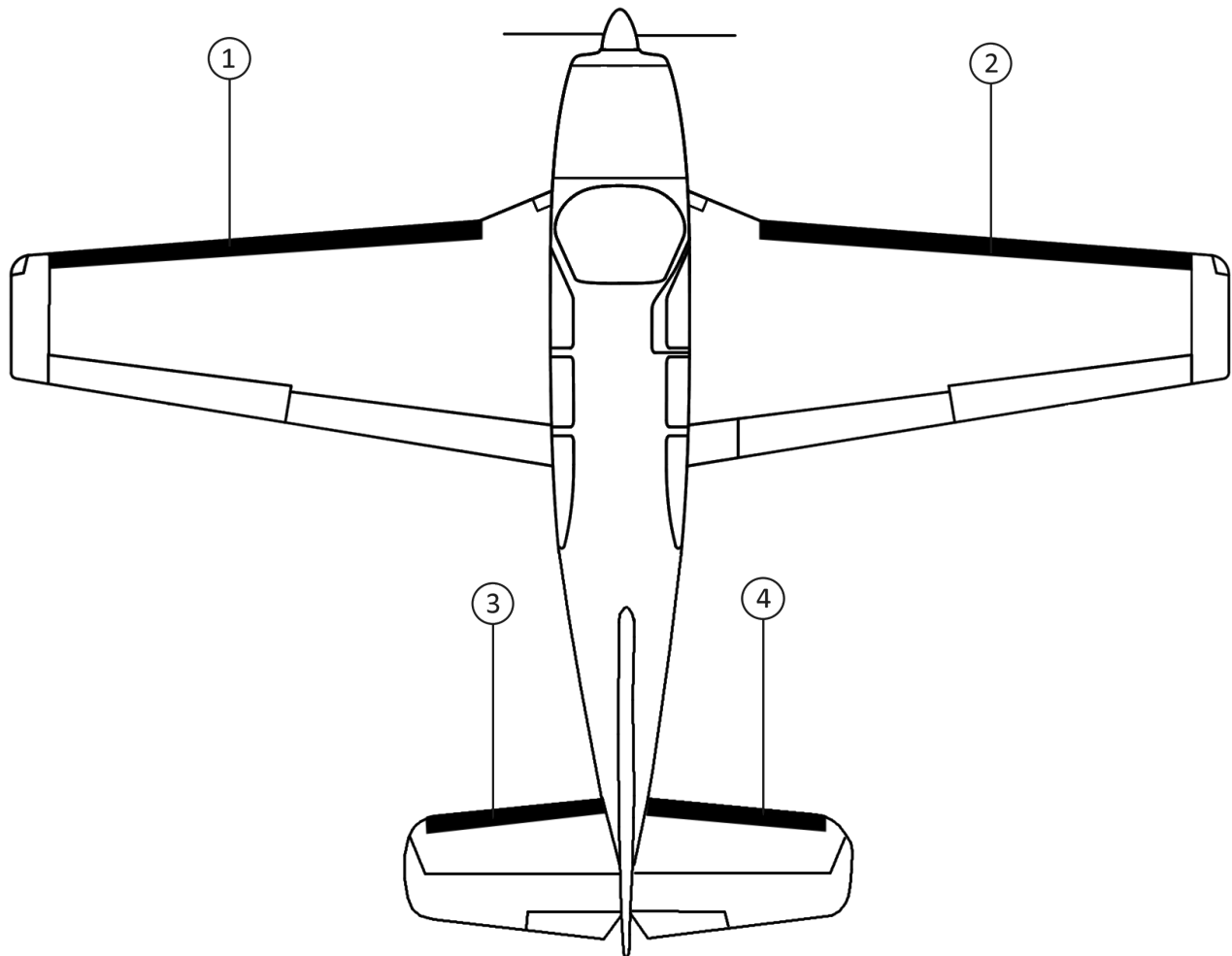
**BEECHCRAFT A36 (BONANZA)**


**BEECHCRAFT A36TC (BONANZA)**
**STANDARD DE-ICE BOOTS**

POSITION ID	GOODRICH PART NUMBER	AIRCRAFT OEM P/N	DESCRIPTION	QTY PER AIRCRAFT	WT
1	25S-5D5129-01		WING LH DE-ICE BOOT	1	3.9
2	25S-5D5129-02		WING RH DE-ICE BOOT	1	3.9
3	25S-5D5129-03		HORIZONTAL STABILIZER LH DE-ICE BOOT	1	1.5
4	25S-5D5129-04		HORIZONTAL STABILIZER RH DE-ICE BOOT	1	1.5

**OPTIONAL STANDARD DE-ICE BOOTS**

POSITION ID	GOODRICH PART NUMBER	AIRCRAFT OEM P/N	DESCRIPTION	QTY PER AIRCRAFT	WT
1	25S-5D5129-05		WING LH DE-ICE BOOT (WINGS WITH VORTEX GENERATORS)	1	4.8
2	25S-5D5129-06		WING RH DE-ICE BOOT (WINGS WITH VORTEX GENERATORS)	1	4.8


**BEECHCRAFT A36TC (BONANZA)**

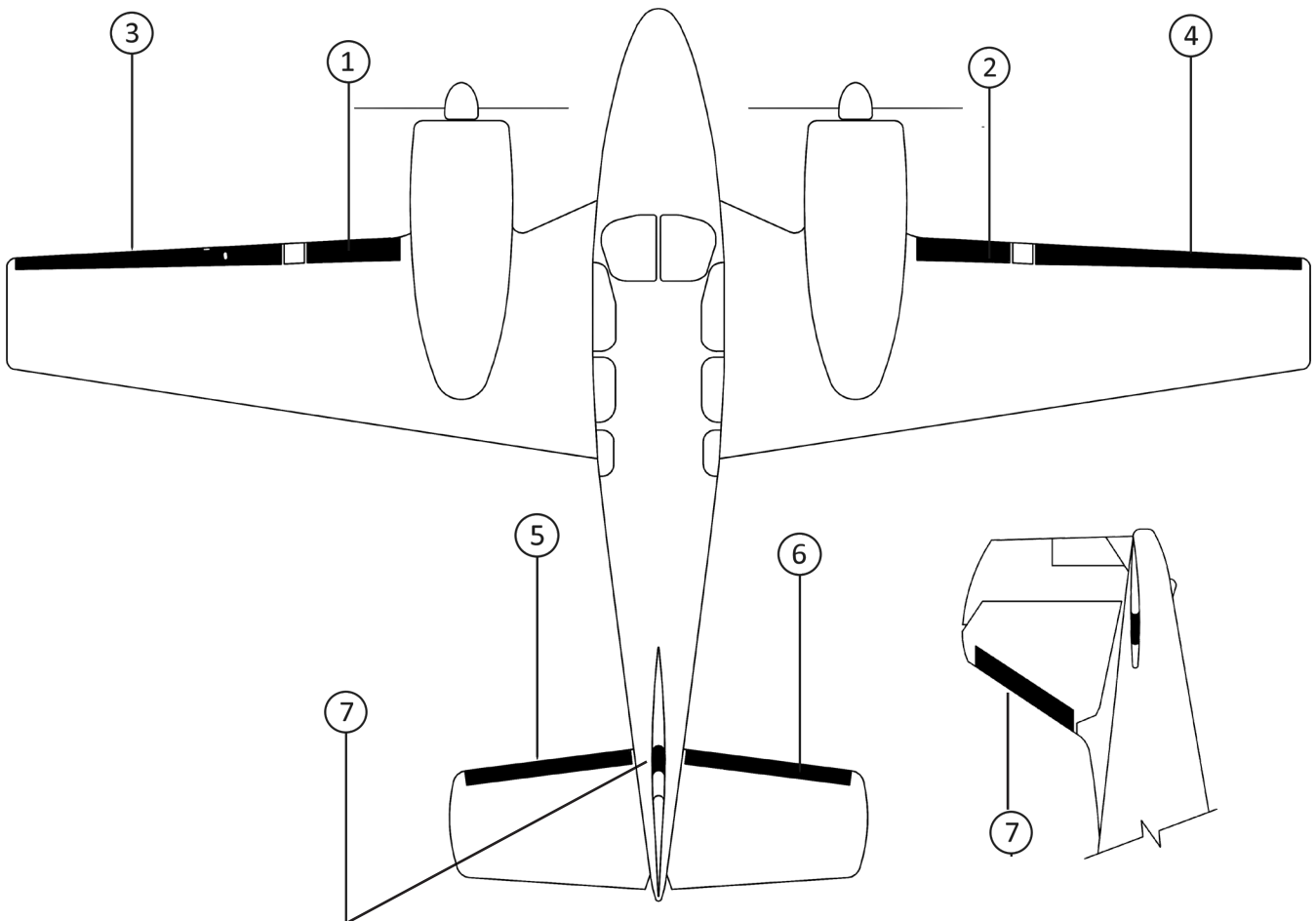
**BEECHCRAFT 95-55 (BARON)**

**STANDARD DE-ICE BOOTS**

POSITION ID	GOODRICH PART NUMBER	AIRCRAFT OEM P/N	DESCRIPTION	QTY PER AIRCRAFT	WT
1	23S-2004-12-1		NACELLE-LIGHT LH DE-ICE BOOT W/O OPTIONAL FUEL TANK	1	2.0
2	23S-2004-12-2		NACELLE-LIGHT RH DE-ICE BOOT W/O OPTIONAL FUEL TANK	1	2.0
3	23S-2004-2-1		LIGHT-TIP LH DE-ICE BOOT	1	3.6
4	23S-2004-2-2		LIGHT-TIP RH DE-ICE BOOT	1 <td 3.8	
5	23S-2004-5-1		HORIZONTAL STABILIZER LH DE-ICE BOOT	1	2.8
6	23S-2004-5-2		HORIZONTAL STABILIZER RH DE-ICE BOOT	1	2.8
7	23S-2004-7-1		VERTICAL STABILIZER DE-ICE BOOT	1	2.3

**OPTIONAL STANDARD DE-ICE BOOTS**

POSITION ID	GOODRICH PART NUMBER	AIRCRAFT OEM P/N	DESCRIPTION	QTY PER AIRCRAFT	WT
1	23S-2004-11-1		NACELLE-LIGHT LH DE-ICE BOOT W/OPTIONAL FUEL TANK	1	1.9
2	23S-2004-11-2		NACELLE-LIGHT RH DE-ICE BOOT W/OPTIONAL FUEL TANK	1	1.9



**BEECHCRAFT 95-55 (BARON)**

**BEECHCRAFT 95-A55 (BARON)**

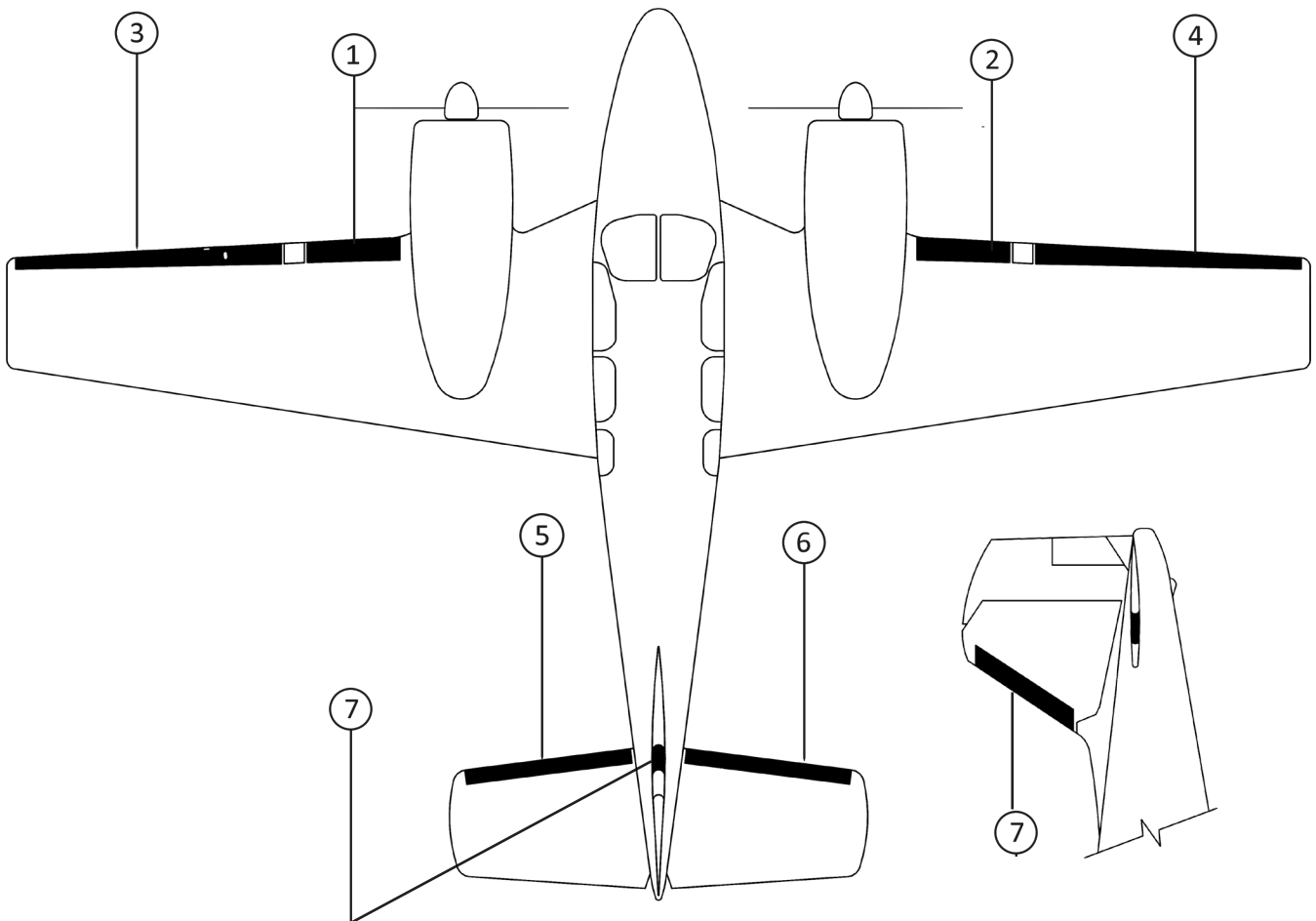
**BEECHCRAFT 95-A55 (BARON)**

**STANDARD DE-ICE BOOTS**

POSITION ID	GOODRICH PART NUMBER	AIRCRAFT OEM P/N	DESCRIPTION	QTY PER AIRCRAFT	WT
1	23S-2004-12-1		NACELLE-LIGHT LH DE-ICE BOOT W/O OPTIONAL FUEL TANK	1	2.0
2	23S-2004-12-2		NACELLE-LIGHT RH DE-ICE BOOT W/O OPTIONAL FUEL TANK	1	2.0
3	23S-2004-2-1		LIGHT-TIP LH DE-ICE BOOT	1	3.6
4	23S-2004-2-2		LIGHT-TIP RH DE-ICE BOOT	1	3.8
5	23S-2004-5-1		HORIZONTAL STABILIZER LH DE-ICE BOOT	1	2.8
6	23S-2004-5-2		HORIZONTAL STABILIZER RH DE-ICE BOOT	1	2.8
7	23S-2004-7-1		VERTICAL STABILIZER DE-ICE BOOT	1	2.3

**OPTIONAL STANDARD DE-ICE BOOTS**

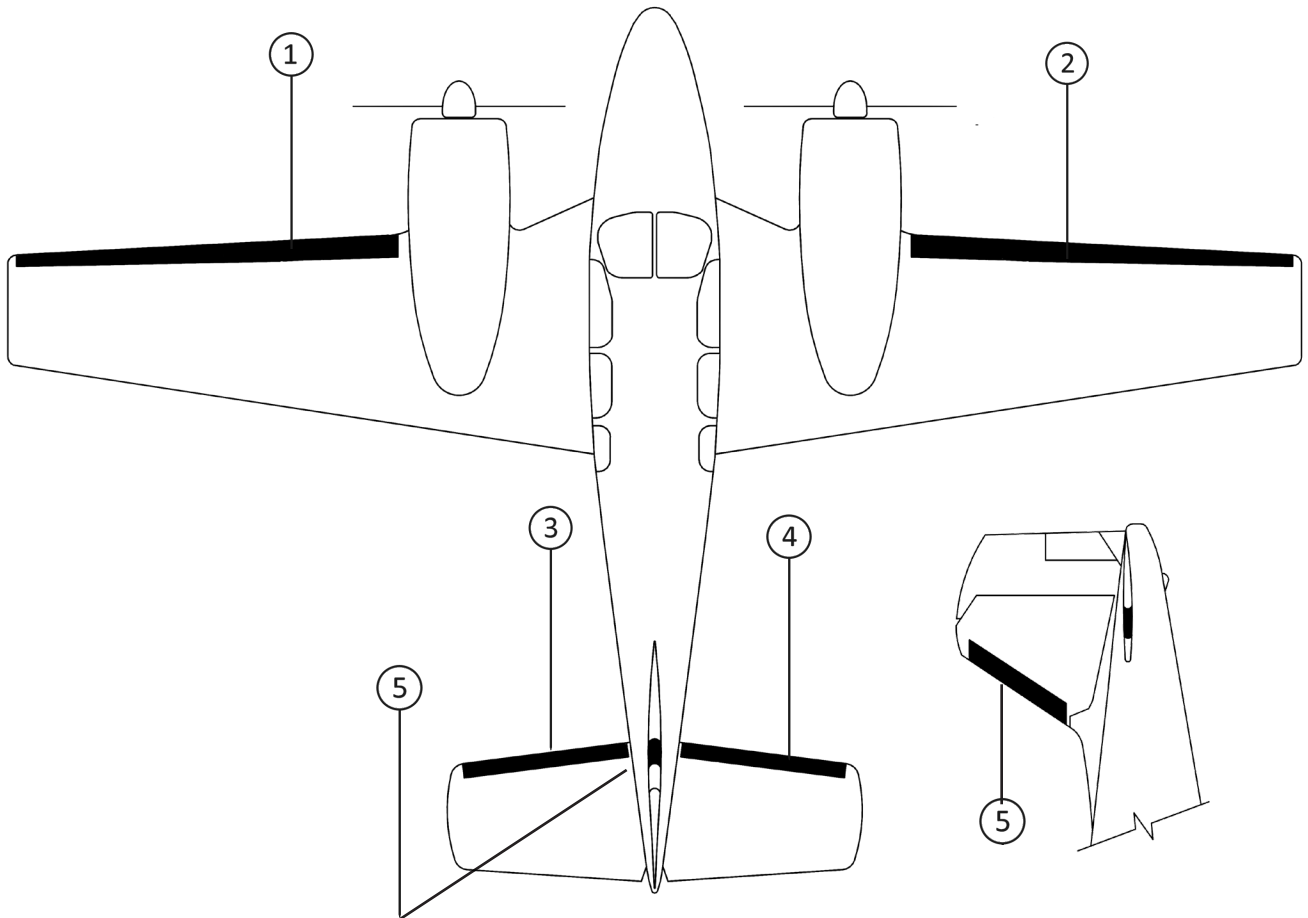
POSITION ID	GOODRICH PART NUMBER	AIRCRAFT OEM P/N	DESCRIPTION	QTY PER AIRCRAFT	WT
1	23S-2004-11-1		NACELLE-LIGHT LH DE-ICE BOOT W/OPTIONAL FUEL TANK	1	1.9
2	23S-2004-11-2		NACELLE-LIGHT RH DE-ICE BOOT W/OPTIONAL FUEL TANK	1	1.9



**BEECHCRAFT 95-A55 (BARON) S/N TC-400 UP**

**STANDARD DE-ICE BOOTS**

POSITION ID	GOODRICH PART NUMBER	AIRCRAFT OEM P/N	DESCRIPTION	QTY PER AIRCRAFT	WT
1	23S-2004-14-1		NACELLE-TIP LH DE-ICE BOOT	1	6.3
2	23S-2004-14-2		NACELLE-TIP RH DE-ICE BOOT	1	6.5
3	23S-2004-5-1		HORIZONTAL STABILIZER LH DE-ICE BOOT	1	2.8
4	23S-2004-5-2		HORIZONTAL STABILIZER RH DE-ICE BOOT	1	2.8
5	23S-2004-7-1		VERTICAL STABILIZER DE-ICE BOOT	1	2.3



**BEECHCRAFT 95-A55 (BARON) S/N TC-400 UP**

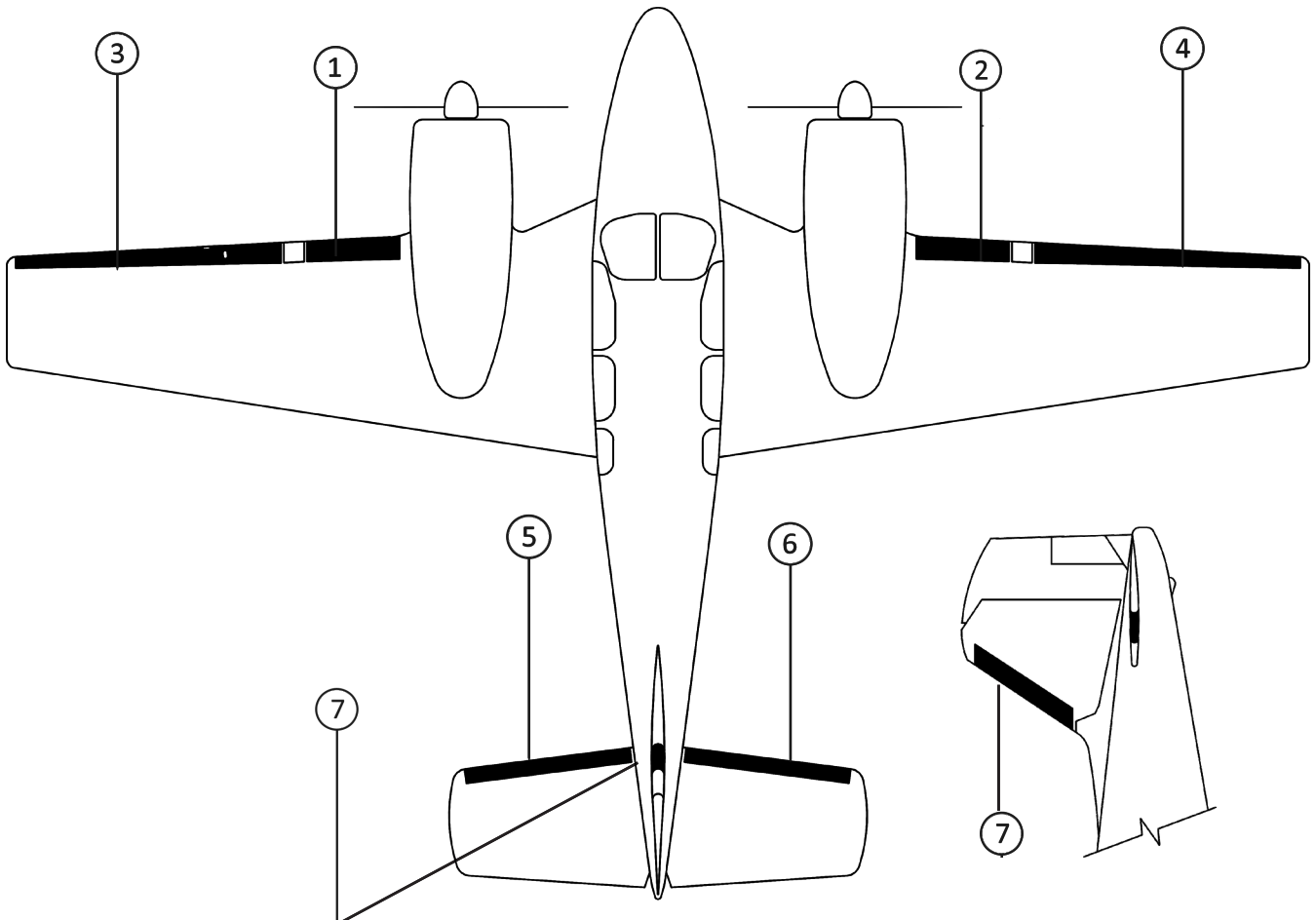
**BEECHCRAFT 95-B55 (BARON) S/N TC-371**

**STANDARD DE-ICE BOOTS**

POSITION ID	GOODRICH PART NUMBER	AIRCRAFT OEM P/N	DESCRIPTION	QTY PER AIRCRAFT	WT
1	23S-2004-12-1		NACELLE-LIGHT LH DE-ICE BOOT W/O OPTIONAL FUEL TANK	1	2.0
2	23S-2004-12-2		NACELLE-LIGHT RH DE-ICE BOOT W/O OPTIONAL FUEL TANK	1	2.0
3	23S-2004-2-1		LIGHT-TIP LH DE-ICE BOOT	1	3.6
4	23S-2004-2-2		LIGHT-TIP RH DE-ICE BOOT	1	3.8
5	23S-2004-5-1		HORIZONTAL STABILIZER LH DE-ICE BOOT	1	2.8
6	23S-2004-5-2		HORIZONTAL STABILIZER RH DE-ICE BOOT	1	2.8
7	23S-2004-7-1		VERTICAL STABILIZER DE-ICE BOOT	1	2.3

**OPTIONAL STANDARD DE-ICE BOOTS**

POSITION ID	GOODRICH PART NUMBER	AIRCRAFT OEM P/N	DESCRIPTION	QTY PER AIRCRAFT	WT
1	23S-2004-11-1		NACELLE-LIGHT LH DE-ICE BOOT W/OPTIONAL FUEL TANK	1	1.9
2	23S-2004-11-2		NACELLE-LIGHT RH DE-ICE BOOT W/OPTIONAL FUEL TANK	1	1.9

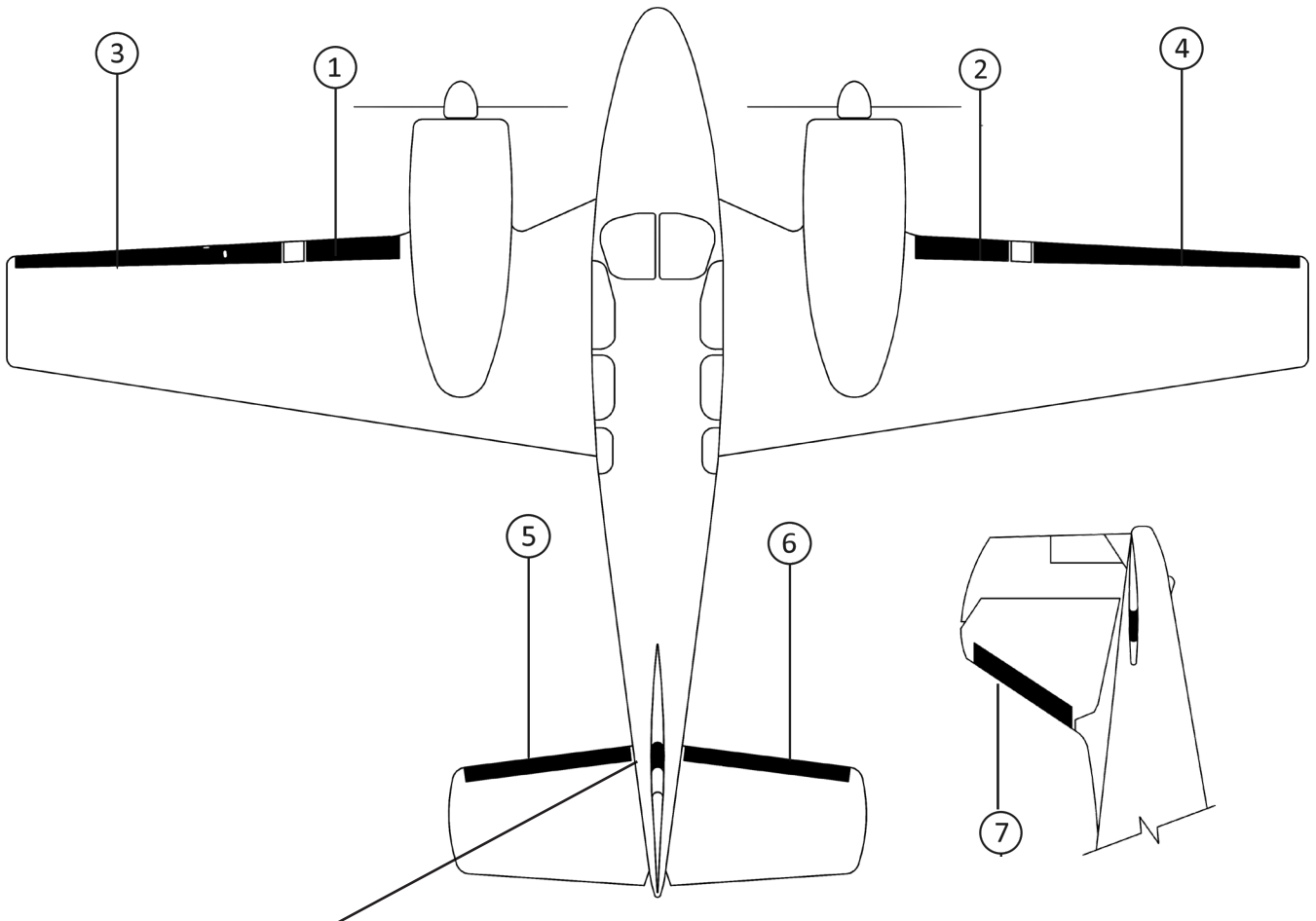


**BEECHCRAFT 95-B55 (BARON) S/N TC-371**



**BEECHCRAFT 95-B55 (BARON) S/N TC-502 THRU TC-1607**
**STANDARD DE-ICE BOOTS**

POSITION ID	GOODRICH PART NUMBER	AIRCRAFT OEM P/N	DESCRIPTION	QTY PER AIRCRAFT	WT
1	23S-2004-14-1		NACELLE-TIP LH DE-ICE BOOT	1	6.3
2	23S-2004-14-2		NACELLE-TIP RH DE-ICE BOOT	1	6.5
3	23S-2004-2-1		LIGHT-TIP LH DE-ICE BOOT	1	3.6
4	23S-2004-2-2		LIGHT-TIP RH DE-ICE BOOT	1	3.8
5	23S-2004-5-1		HORIZONTAL STABILIZER LH DE-ICE BOOT	1	2.8
6	23S-2004-5-2		HORIZONTAL STABILIZER RH DE-ICE BOOT	1	2.8
7	23S-2004-7-1		VERTICAL STABILIZER DE-ICE BOOT	1	2.3


**BEECHCRAFT 95-B55 (BARON) S/N TC-502 THRU TC-1607**

## De-ice boot care products



Aerospace Protectant™ (32 fl. oz.) P/N 74-451-237-32

### Goodrich® Aerospace Protectant™

- Approved for use on all Goodrich de-icers
- Near 100 percent prevention of UV-caused slow fade
- Resistance to dust, soiling and staining
- Water-based formula is environmentally friendly
- Apply as needed – no surface stripping required



Aerospace Cleaner™ (32 fl. oz.) P/N 74-451-238-32

### Goodrich® Aerospace Cleaner™

- Approved for use on all Goodrich de-icers
- Can be used on all water-safe materials
- Water-based formula is environmentally friendly
- Apply as needed – no surface stripping required
- Great for removing dirt, grime and bugs

**DE-ICER PATCHES  
AND PIN HOLE KITS  
ALSO AVAILABLE**



AgeMaster® #1 P/N 74-451-127

### AgeMaster® #1

- Rubber preservative that protects against weathering, ozone and ultraviolet rays
- Apply six months after new de-icer is installed
- Reapply every 150 flight hours (twice yearly)
- One quart covers approximately 90 sq. ft. (8.3 sq. m.)



ICEX®II - 6oz  
ICEX®II - Pump  
ICEX®II - Quart

### ICEX®II

- Ice adhesion inhibitor that enhances de-icer performance
- Apply every 50 flight hours during icing season
- One quart covers approximately 400 sq. ft. (37 sq. m)



ShineMaster™ Prep P/N 74-451-179  
ShineMaster™ P/N 74-451-178

### ShineMaster™

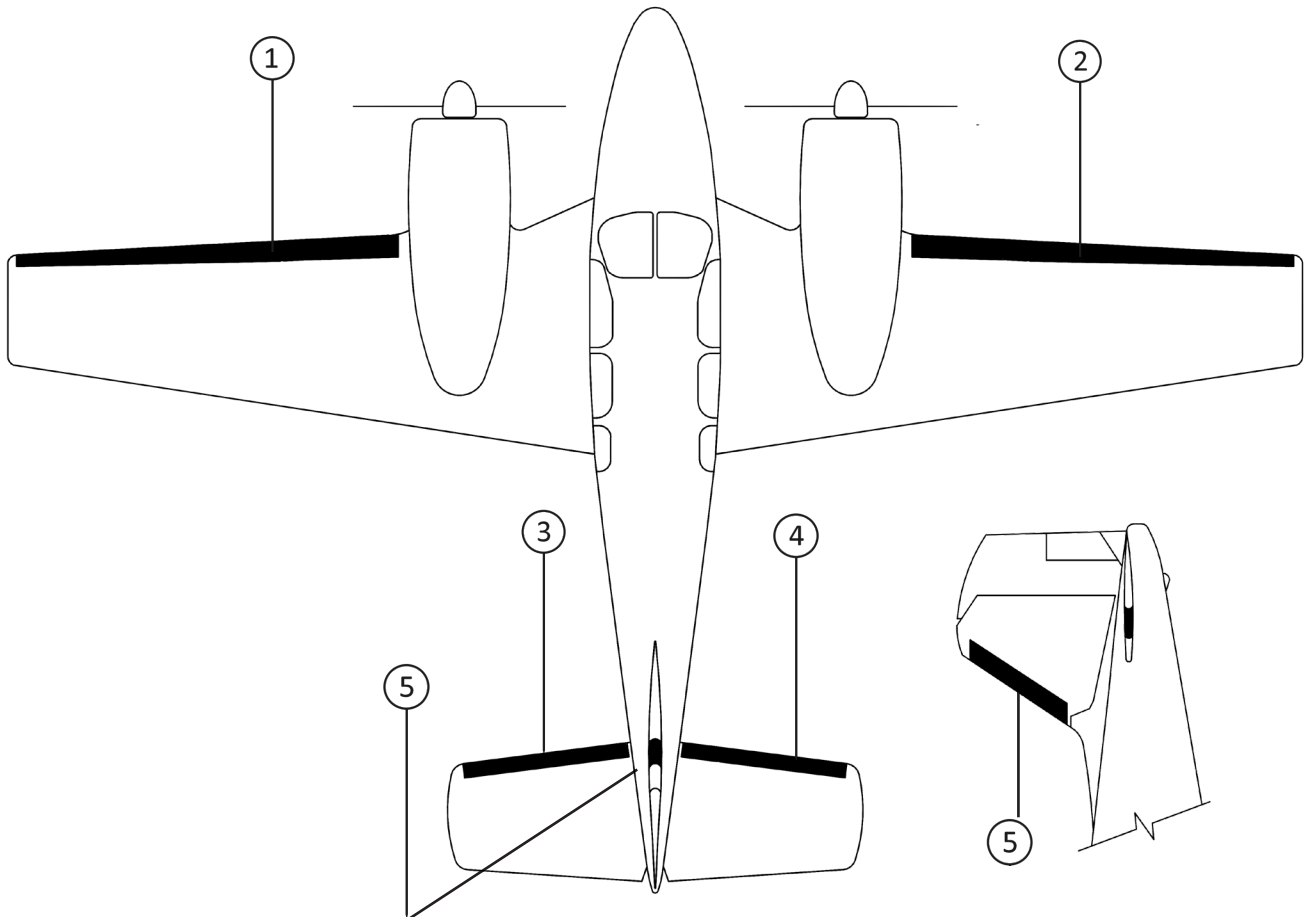
- Cosmetic coating that provides a high-luster shine
- Clean de-icer with ShineMaster Prep before applying 2-3 light coats
- One pint covers approximately 200 sq. ft. (18.6 sq. m)
- Reapply as desired

Specifications subject to change without notice.

**BEECHCRAFT 95-C55 (BARON) S/N TE-1 UP**

**STANDARD DE-ICE BOOTS**

POSITION ID	GOODRICH PART NUMBER	AIRCRAFT OEM P/N	DESCRIPTION	QTY PER AIRCRAFT	WT
1	23S-2004-14-1		NACELLE-TIP LH DE-ICE BOOT	1	6.3
2	23S-2004-14-2		NACELLE-TIP RH DE-ICE BOOT	1	6.5
3	23S-2004-5-1		HORIZONTAL STABILIZER LH DE-ICE BOOT	1	2.8
4	23S-2004-5-2		HORIZONTAL STABILIZER RH DE-ICE BOOT	1	2.8
5	23S-2004-7-1		VERTICAL STABILIZER DE-ICE BOOT	1	2.3



**BEECHCRAFT 95-C55 (BARON) S/N TE-1 UP**

**BEECHCRAFT 95-C55 (BARON) S/N TC-350**

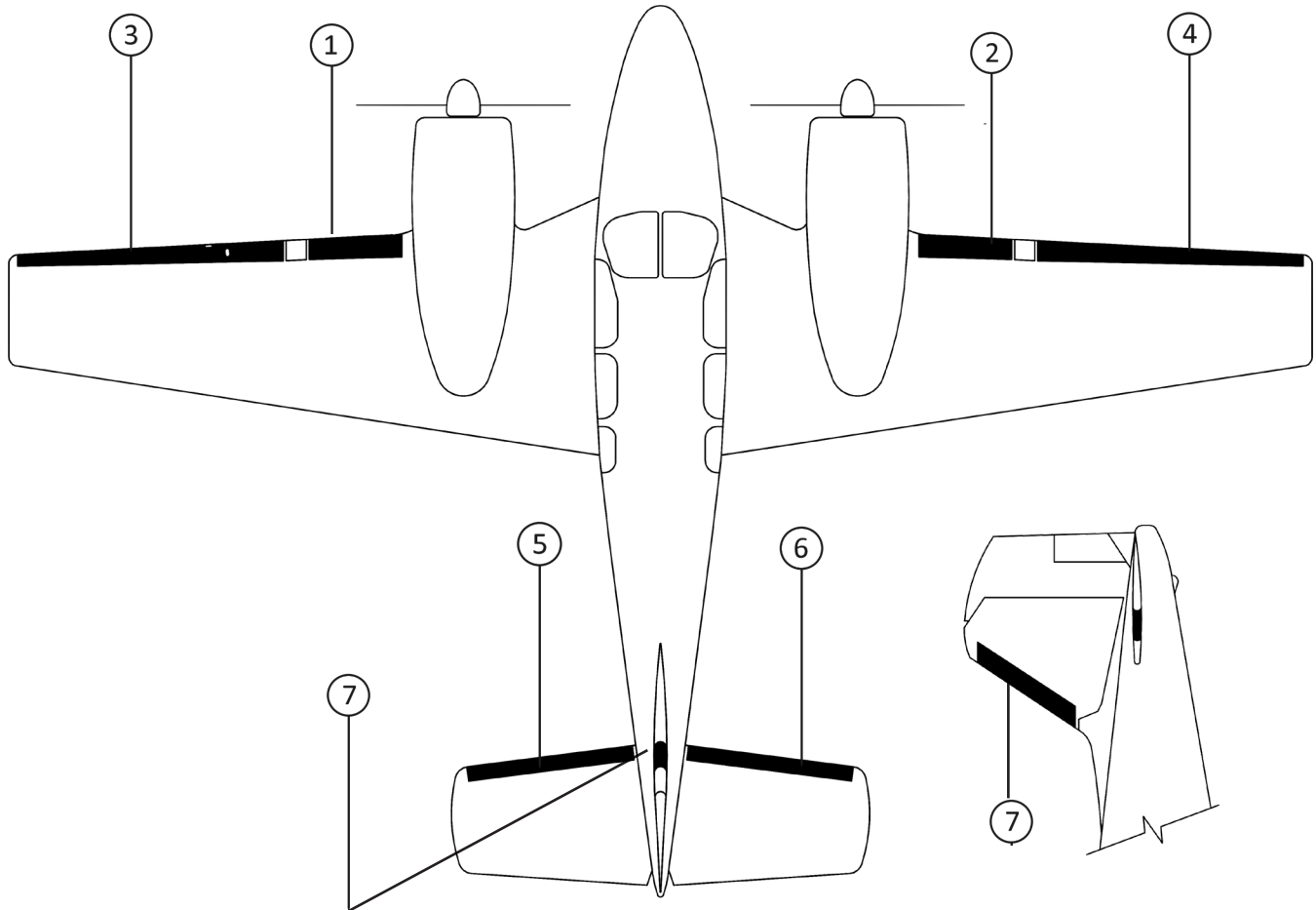
**STANDARD DE-ICE BOOTS**

POSITION ID	GOODRICH PART NUMBER	AIRCRAFT OEM P/N	DESCRIPTION	QTY PER AIRCRAFT	WT
1	23S-2004-12-1		NACELLE-LIGHT LH DE-ICE BOOT W/O OPTIONAL FUEL TANK	1	2.0
2	23S-2004-12-2		NACELLE-LIGHT RH DE-ICE BOOT W/O OPTIONAL FUEL TANK	1	2.0
3	23S-2004-2-1		LIGHT-TIP LH DE-ICE BOOT	1	3.6
4	23S-2004-2-2		LIGHT-TIP RH DE-ICE BOOT	1	3.8
5	23S-2004-5-1		HORIZONTAL STABILIZER LH DE-ICE BOOT	1	2.8
6	23S-2004-5-2		HORIZONTAL STABILIZER RH DE-ICE BOOT	1	2.8
7	23S-2004-7-1		VERTICAL STABILIZER DE-ICE BOOT	1	2.3

**OPTIONAL STANDARD DE-ICE BOOTS**

POSITION ID	GOODRICH PART NUMBER	AIRCRAFT OEM P/N	DESCRIPTION	QTY PER AIRCRAFT	WT
1	23S-2004-11-1		NACELLE-LIGHT LH DE-ICE BOOT W/OPTIONAL FUEL TANK	1	1.9
2	23S-2004-11-2		NACELLE-LIGHT RH DE-ICE BOOT W/OPTIONAL FUEL TANK	1	1.9

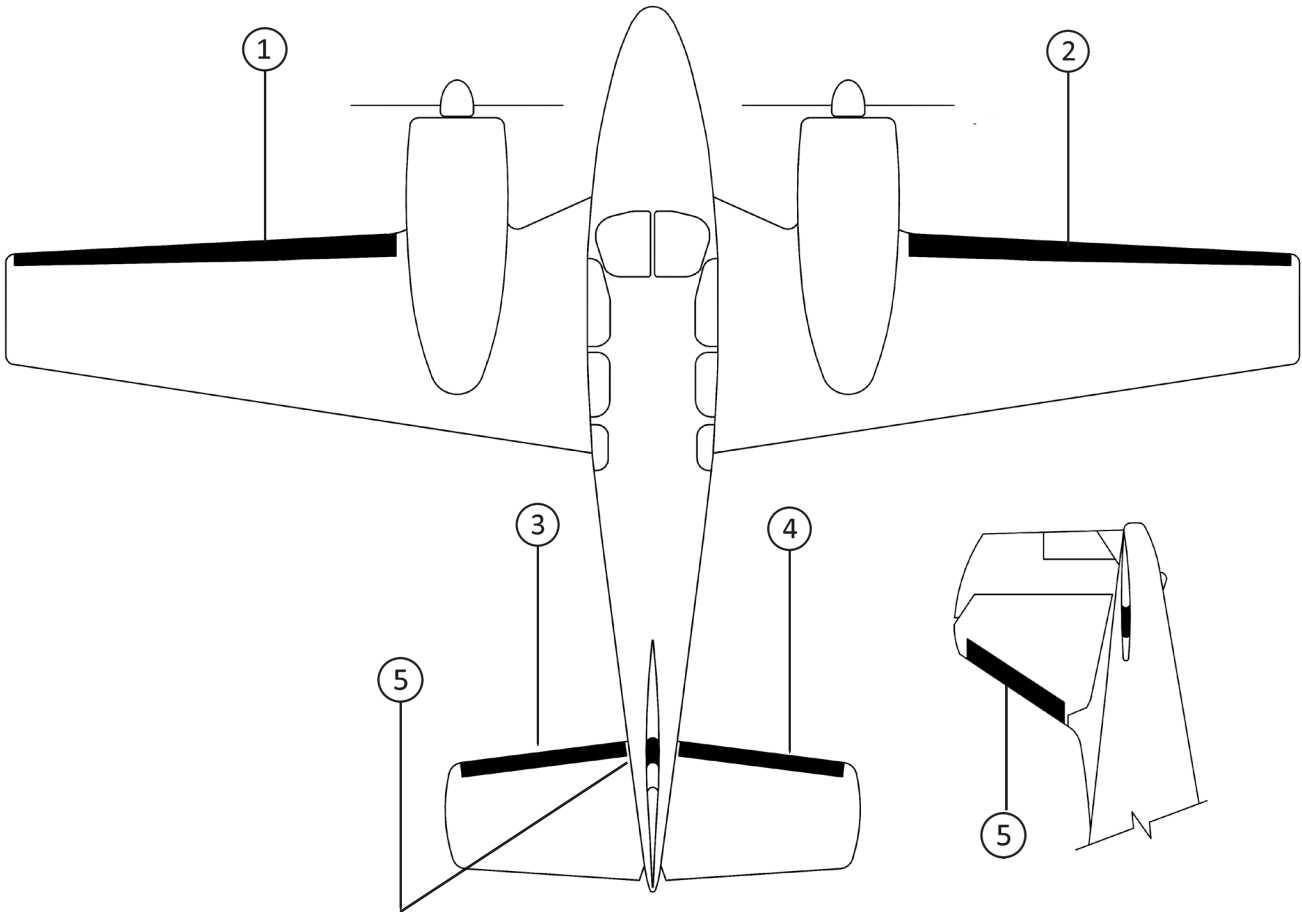
**BEECHCRAFT 95-C55 (BARON) S/N TC-350**



**BEECHCRAFT 95-C55A (BARON)**

**STANDARD DE-ICE BOOTS**

POSITION ID	GOODRICH PART NUMBER	AIRCRAFT OEM P/N	DESCRIPTION	QTY PER AIRCRAFT	WT
1	23S-2004-14-1		NACELLE-TIP LH DE-ICE BOOT	1	6.3
2	23S-2004-14-2		NACELLE-TIP RH DE-ICE BOOT	1	6.5
3	23S-2004-5-1		HORIZONTAL STABILIZER LH DE-ICE BOOT	1	2.8
4	23S-2004-5-2		HORIZONTAL STABILIZER RH DE-ICE BOOT	1	2.8
5	23S-2004-7-1		VERTICAL STABILIZER DE-ICE BOOT	1	2.3



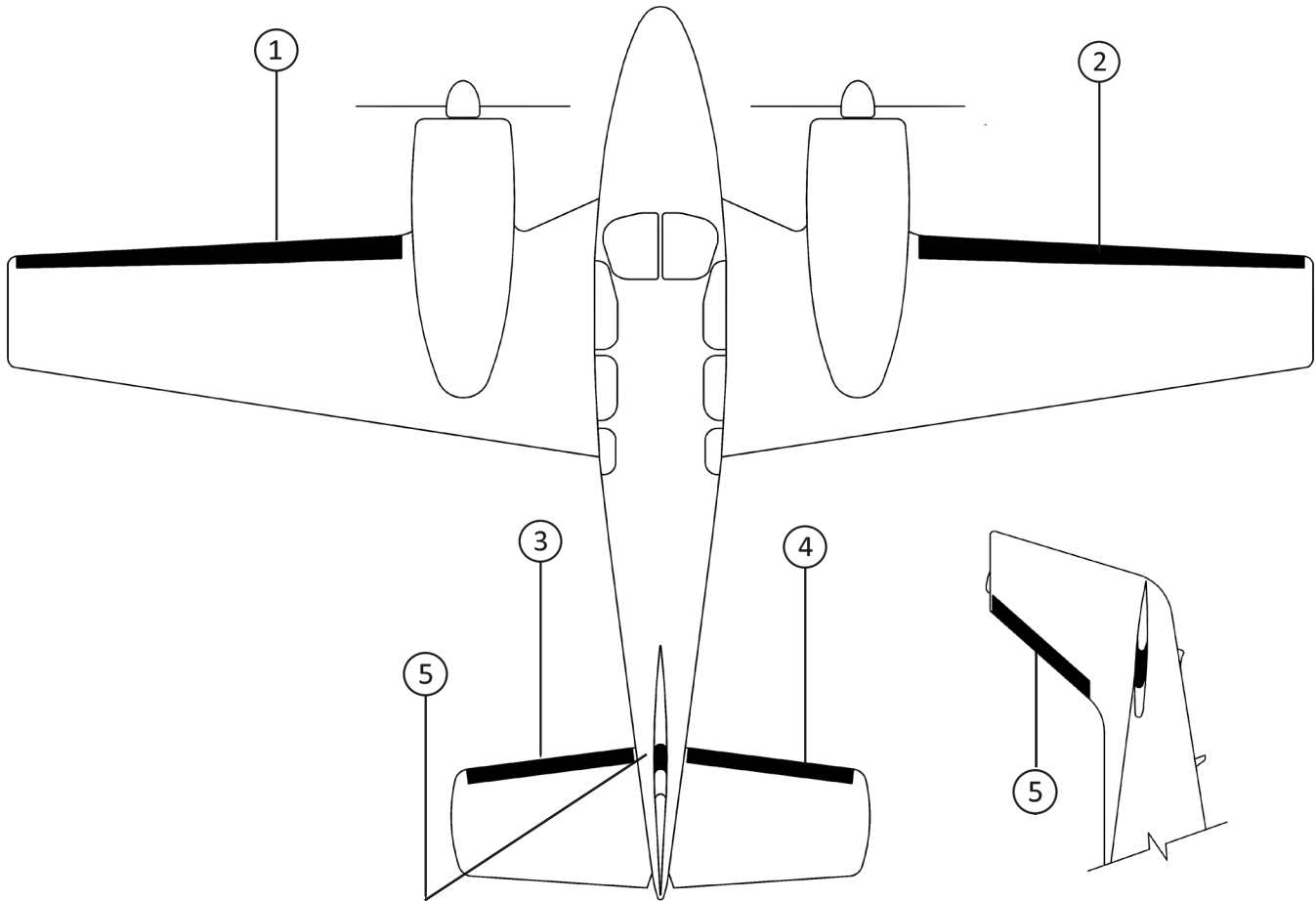
**BEECHCRAFT 95-C55A (BARON)**

**BEECHCRAFT D55 (BARON)**

**STANDARD DE-ICE BOOTS**

POSITION ID	GOODRICH PART NUMBER	AIRCRAFT OEM P/N	DESCRIPTION	QTY PER AIRCRAFT	WT
1	23S-2004-14-1		NACELLE-TIP LH DE-ICE BOOT	1	6.3
2	23S-2004-14-2		NACELLE-TIP RH DE-ICE BOOT	1	6.5
3	23S-2004-15-1		HORIZONTAL STABILIZER LH DE-ICE BOOT	1	2.6
4	23S-2004-15-2		HORIZONTAL STABILIZER RH DE-ICE BOOT	1	2.6
5	23S-2004-7-1		VERTICAL STABILIZER DE-ICE BOOT	1	2.3

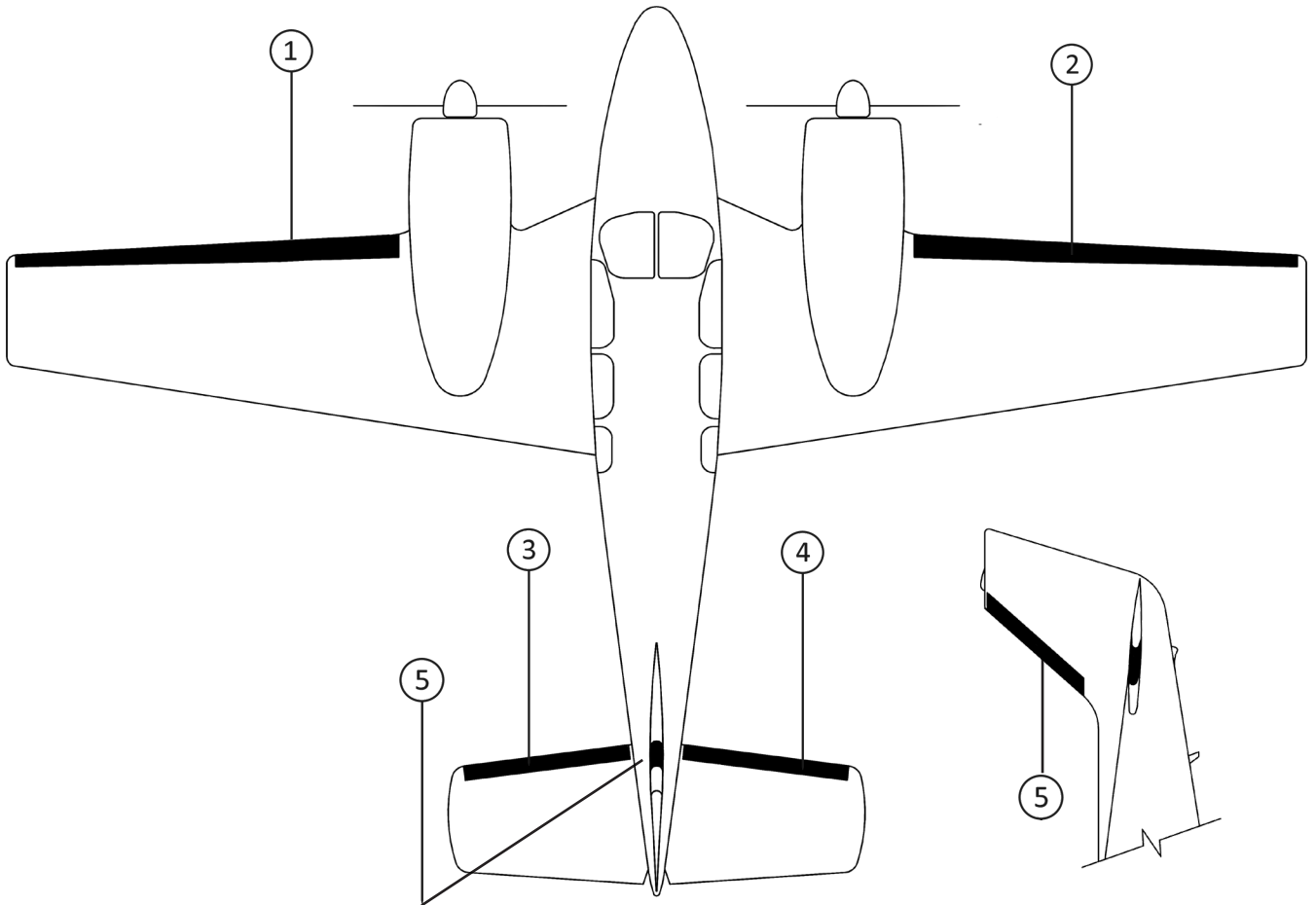
**BEECHCRAFT D55 (BARON)**



**BEECHCRAFT D55A (BARON)**

**STANDARD DE-ICE BOOTS**

POSITION ID	GOODRICH PART NUMBER	AIRCRAFT OEM P/N	DESCRIPTION	QTY PER AIRCRAFT	WT
1	23S-2004-14-1		NACELLE-TIP LH DE-ICE BOOT	1	6.3
2	23S-2004-14-2		NACELLE-TIP RH DE-ICE BOOT	1	6.5
3	23S-2004-5-1		HORIZONTAL STABILIZER LH DE-ICE BOOT	1	2.8
4	23S-2004-5-2		HORIZONTAL STABILIZER RH DE-ICE BOOT	1	2.8
5	23S-2004-7-1		VERTICAL STABILIZER DE-ICE BOOT	1	2.3



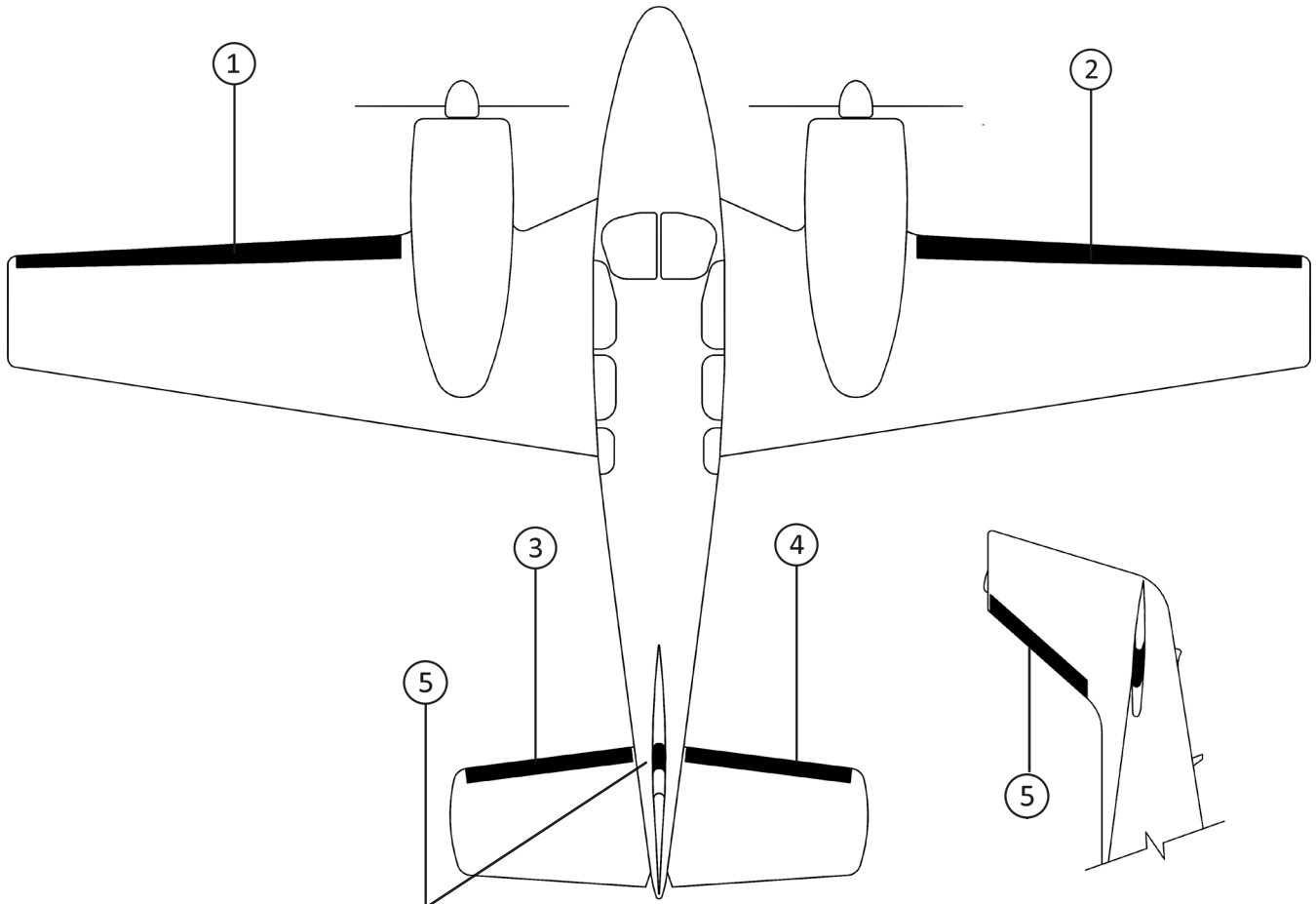
**BEECHCRAFT D55A (BARON)**

**BEECHCRAFT E55 (BARON)**
**STANDARD DE-ICE BOOTS**

POSITION ID	GOODRICH PART NUMBER	AIRCRAFT OEM P/N	DESCRIPTION	QTY PER AIRCRAFT	WT
1	25S-7D5057-01		NACELLE-TIP LH DE-ICE BOOT	1	4.0
2	25S-7D5057-02		NACELLE-TIP RH DE-ICE BOOT	1	4.0
3	25S-7D5057-07		HORIZONTAL STABILIZER LH DE-ICE BOOT	1	2.6
4	25S-7D5057-08		HORIZONTAL STABILIZER RH DE-ICE BOOT	1	2.6
5	25S-7D5057-09		VERTICAL STABILIZER DE-ICE BOOT	1	2.3

**FASTboot® DE-ICE BOOTS**

POSITION ID	GOODRICH PART NUMBER	AIRCRAFT OEM P/N	DESCRIPTION	QTY PER AIRCRAFT	WT
1	P25S-7D5057-01		FASTBOOT® WING LH DE-ICE BOOT	1	4.0
2	P25S-7D5057-02		FASTBOOT® WING RH DE-ICE BOOT	1	4.0
3	P25S-7D5057-07		FASTBOOT® HORIZONTAL STABILIZER LH DE-ICE BOOT	1	1.9
4	P25S-7D5057-08		FASTBOOT® HORIZONTAL STABILIZER RH DE-ICE BOOT	1	1.9
5	P25S-7D5057-09		FASTBOOT® VERTICAL STABILIZER DE-ICE BOOT	1	1.8


**BEECHCRAFT E55 (BARON)**

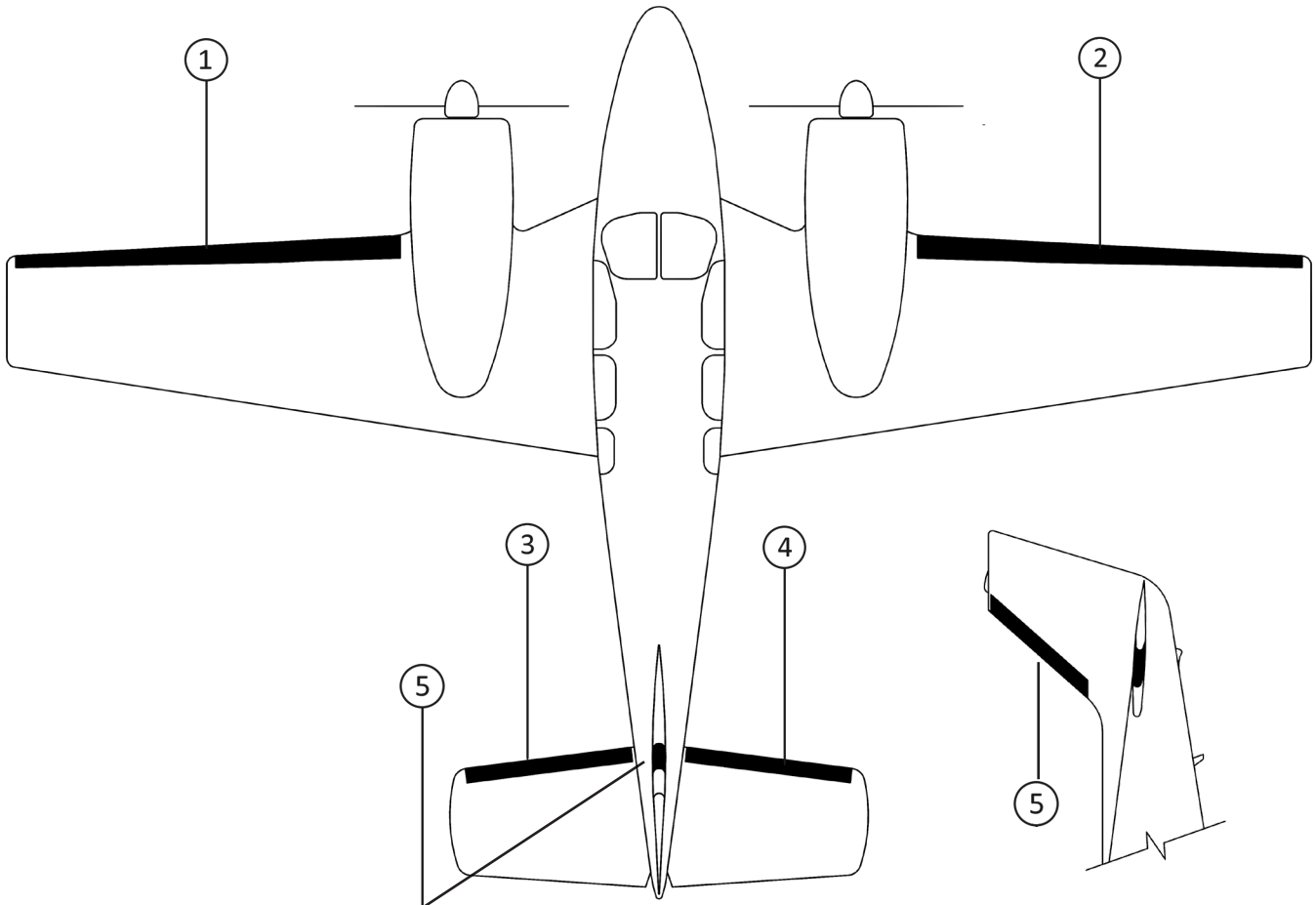


**BEECHCRAFT E55A (BARON)**
**STANDARD DE-ICE BOOTS**

POSITION ID	GOODRICH PART NUMBER	AIRCRAFT OEM P/N	DESCRIPTION	QTY PER AIRCRAFT	WT
1	25S-7D5057-01		NACELLE-TIP LH DE-ICE BOOT	1	4.0
2	25S-7D5057-02		NACELLE-TIP RH DE-ICE BOOT	1	4.0
3	25S-7D5057-07		HORIZONTAL STABILIZER LH DE-ICE BOOT	1	2.6
4	25S-7D5057-08		HORIZONTAL STABILIZER RH DE-ICE BOOT	1	2.6
5	25S-7D5057-09		VERTICAL STABILIZER DE-ICE BOOT	1	2.3

**FASTboot® DE-ICE BOOTS**

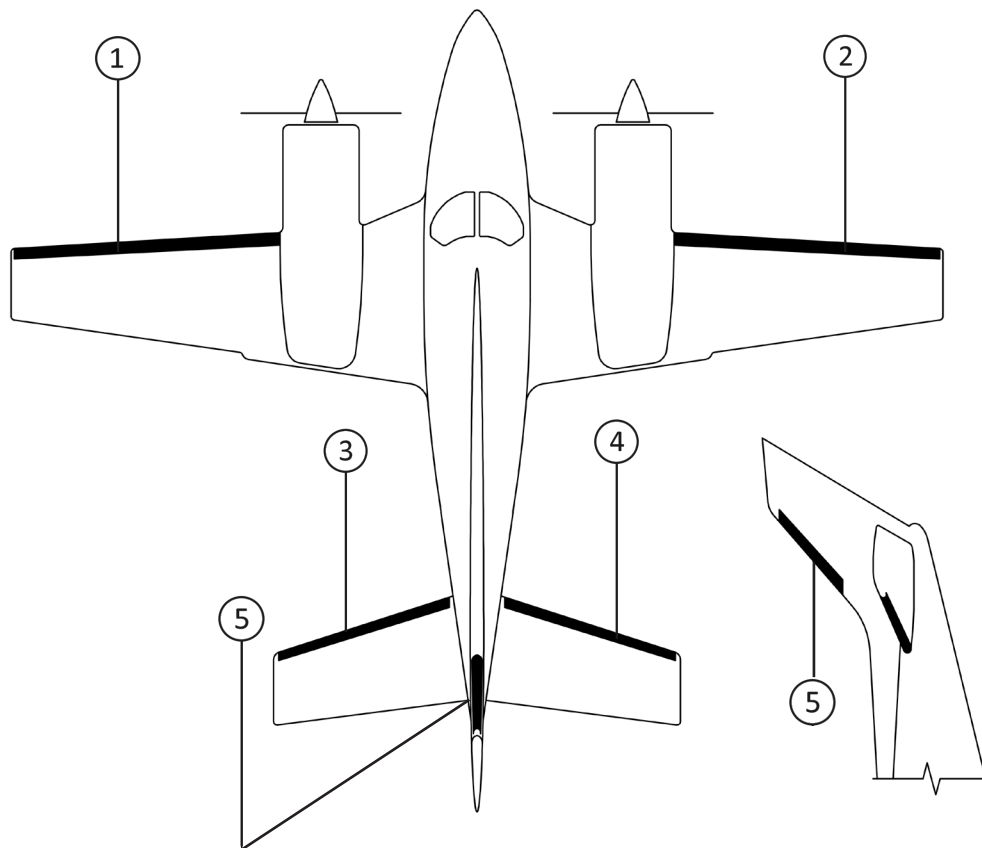
POSITION ID	GOODRICH PART NUMBER	AIRCRAFT OEM P/N	DESCRIPTION	QTY PER AIRCRAFT	WT
1	P25S-7D5057-01		FASTBOOT® WING LH DE-ICE BOOT	1	4.0
2	P25S-7D5057-02		FASTBOOT® WING RH DE-ICE BOOT	1	4.0
3	P25S-7D5057-07		FASTBOOT® HORIZONTAL STABILIZER LH DE-ICE BOOT	1	1.9
4	P25S-7D5057-08		FASTBOOT® HORIZONTAL STABILIZER RH DE-ICE BOOT	1	1.9
5	P25S-7D5057-09		FASTBOOT® VERTICAL STABILIZER DE-ICE BOOT	1	1.8


**BEECHCRAFT E55A (BARON)**

**BEECHCRAFT 56TC (BARON)**

**STANDARD DE-ICE BOOTS**

POSITION ID	GOODRICH PART NUMBER	AIRCRAFT OEM P/N	DESCRIPTION	QTY PER AIRCRAFT	WT
1	23S-2124-1-1		NACELLE-TIP LH DE-ICE BOOT	1	5.9
2	23S-2124-1-2		NACELLE-TIP RH DE-ICE BOOT	1	6.3
3	23S-2004-15-1		HORIZONTAL STABILIZER LH DE-ICE BOOT	1	2.6
4	23S-2004-15-2		HORIZONTAL STABILIZER RH DE-ICE BOOT	1	2.6
5	23S-2004-7-1		VERTICAL STABILIZER DE-ICE BOOT	1	2.3

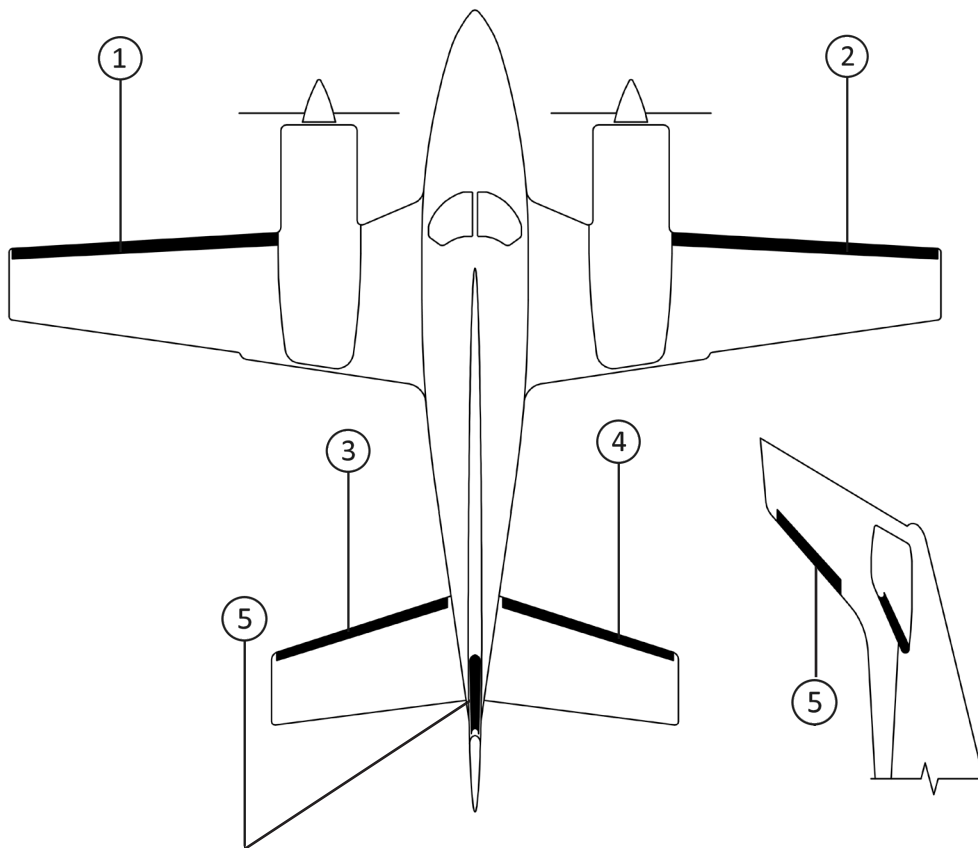


**BEECHCRAFT 56TC (BARON)**

**BEECHCRAFT A56TC (BARON) S/N TG-78 UP**

**STANDARD DE-ICE BOOTS**

POSITION ID	GOODRICH PART NUMBER	AIRCRAFT OEM P/N	DESCRIPTION	QTY PER AIRCRAFT	WT
1	23S-2124-4-1	60-380000-1	NACELLE-TIP LH DE-ICE BOOT	1	6.0
2	23S-2124-4-2	60-380000-2	NACELLE-TIP RH DE-ICE BOOT	1	6.3
3	23S-2004-15-1		HORIZONTAL STABILIZER LH DE-ICE BOOT	1	2.6
4	23S-2004-15-2		HORIZONTAL STABILIZER RH DE-ICE BOOT	1	2.6
5	23S-2004-7-1		VERTICAL STABILIZER DE-ICE BOOT	1	2.3

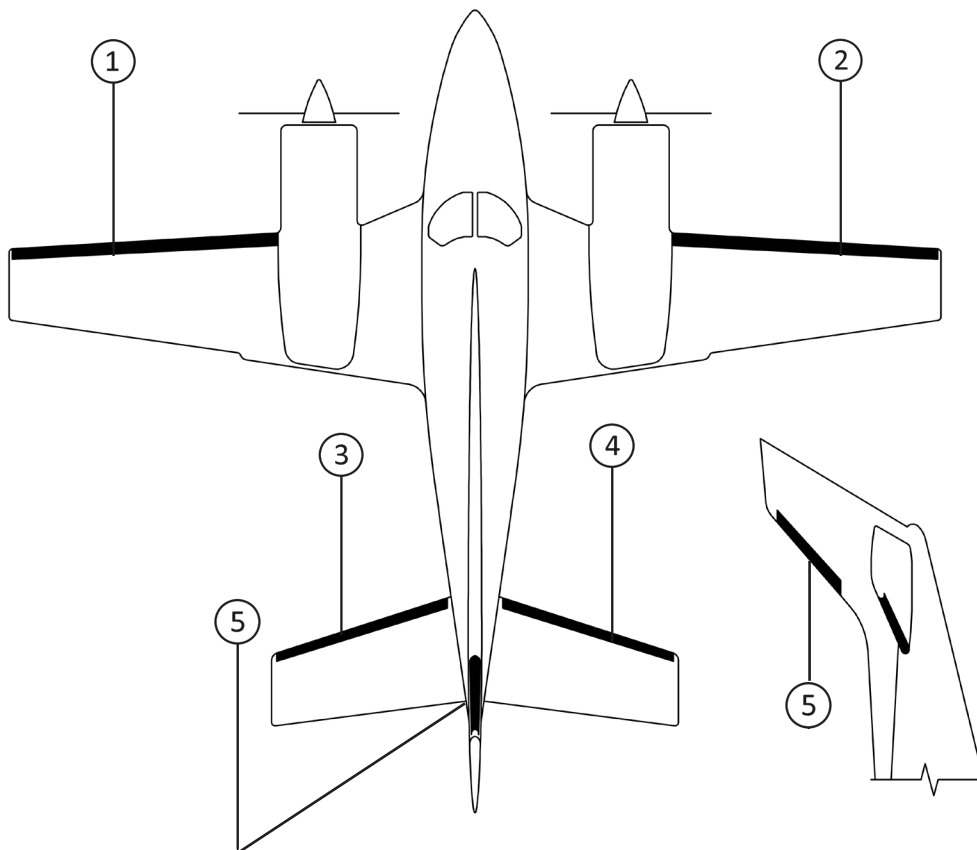


**BEECHCRAFT A56TC (BARON) S/N TG-78 UP**

**BEECHCRAFT 58 (BARON) S/N TH-1 THRU TH-368, TH-370, TH-371**

**STANDARD DE-ICE BOOTS**

POSITION ID	GOODRICH PART NUMBER	AIRCRAFT OEM P/N	DESCRIPTION	QTY PER AIRCRAFT	WT
1	23S-2124-5-1	60-380000-7	NACELLE-TIP LH DE-ICE BOOT	1	6.0
2	23S-2124-5-2	60-380000-8	NACELLE-TIP RH DE-ICE BOOT	1	6.0
3	23S-2004-15-1		HORIZONTAL STABILIZER LH DE-ICE BOOT	1	2.6
4	23S-2004-15-2		HORIZONTAL STABILIZER RH DE-ICE BOOT	1	2.6
5	23S-2004-7-1		VERTICAL STABILIZER DE-ICE BOOT	1	2.3



**BEECHCRAFT 58 (BARON) S/N TH-1 THRU TH-368, TH-370, TH-371**

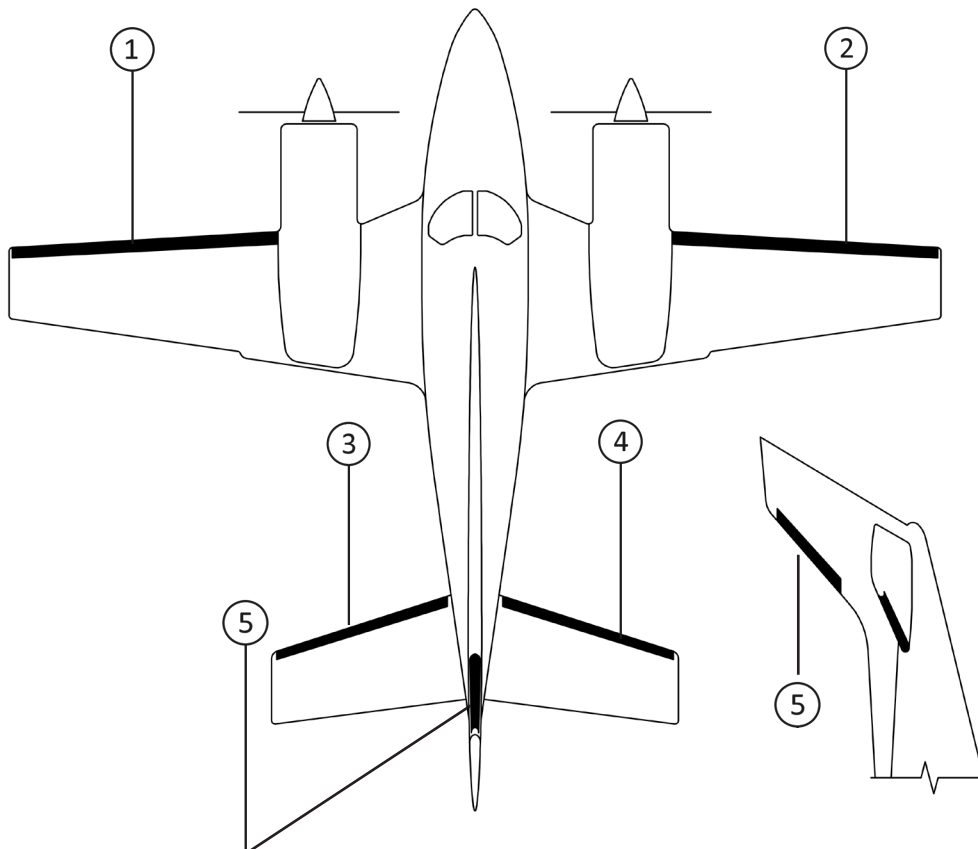
**BEECHCRAFT 58 (BARON) S/N TH-369**

**STANDARD DE-ICE BOOTS**

POSITION ID	GOODRICH PART NUMBER	AIRCRAFT OEM P/N	DESCRIPTION	QTY PER AIRCRAFT	WT
1	23S-2124-5-1	60-380000-7	NACELLE-TIP LH DE-ICE BOOT	1	6.0
2	23S-2124-5-2	60-380000-8	NACELLE-TIP RH DE-ICE BOOT	1	6.0
3	23S-2004-15-1		HORIZONTAL STABILIZER LH DE-ICE BOOT	1	2.6
4	23S-2004-15-2		HORIZONTAL STABILIZER RH DE-ICE BOOT	1	2.6
5	25S-7D5057-09		VERTICAL STABILIZER DE-ICE BOOT	1	2.3

**FASTboot® DE-ICE BOOTS**

POSITION ID	GOODRICH PART NUMBER	AIRCRAFT OEM P/N	DESCRIPTION	QTY PER AIRCRAFT	WT
5	P25S-7D5057-09		FASTBOOT® VERTICAL STABILIZER DE-ICE BOOT	1	1.8



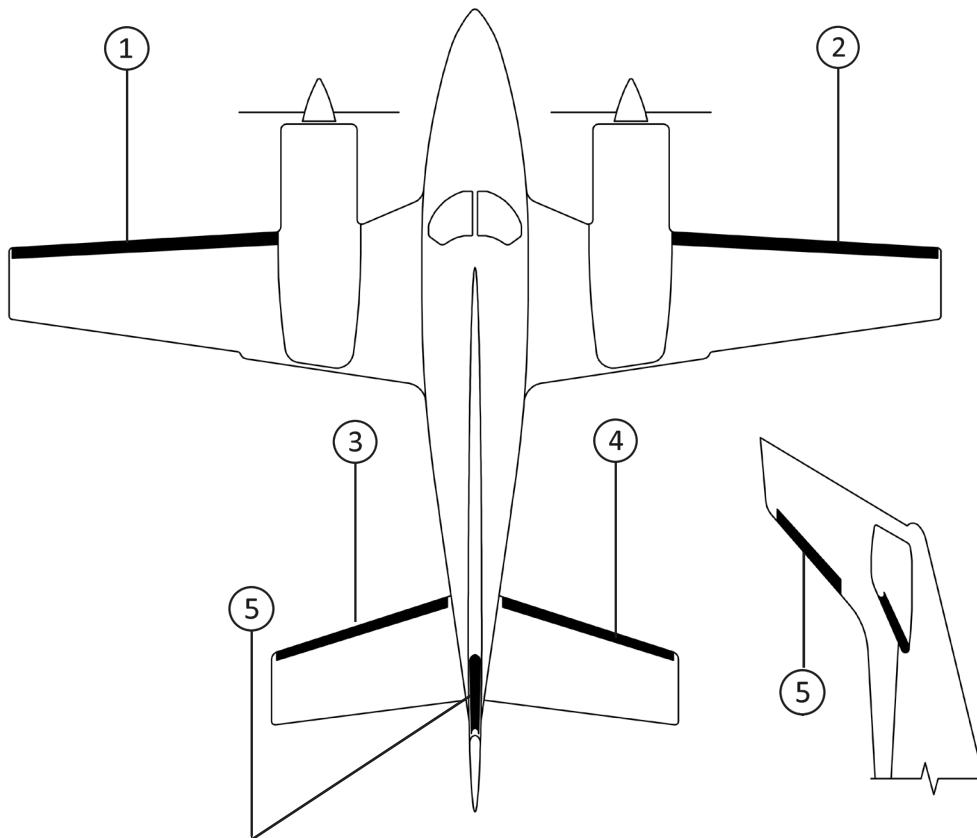
**BEECHCRAFT 58 (BARON) S/N TH-369**

**BEECHCRAFT 58 (BARON) S/N TH-372 THRU TH-374**
**STANDARD DE-ICE BOOTS**

POSITION ID	GOODRICH PART NUMBER	AIRCRAFT OEM P/N	DESCRIPTION	QTY PER AIRCRAFT	WT
1	25S-7D5057-01		NACELLE-TIP LH DE-ICE BOOT	1	4.0
2	25S-7D5057-02		NACELLE-TIP RH DE-ICE BOOT	1	4.0
3	23S-2004-15-1		HORIZONTAL STABILIZER LH DE-ICE BOOT	1	2.6
4	23S-2004-15-2		HORIZONTAL STABILIZER RH DE-ICE BOOT	1	2.6
5	23S-2004-7-1		VERTICAL STABILIZER DE-ICE BOOT	1	2.3

**FASTboot® DE-ICE BOOTS**

POSITION ID	GOODRICH PART NUMBER	AIRCRAFT OEM P/N	DESCRIPTION	QTY PER AIRCRAFT	WT
1	P25S-7D5057-01		FASTBOOT® WING LH DE-ICE BOOT	1	4.0
2	P25S-7D5057-02		FASTBOOT® WING RH DE-ICE BOOT	1	4.0

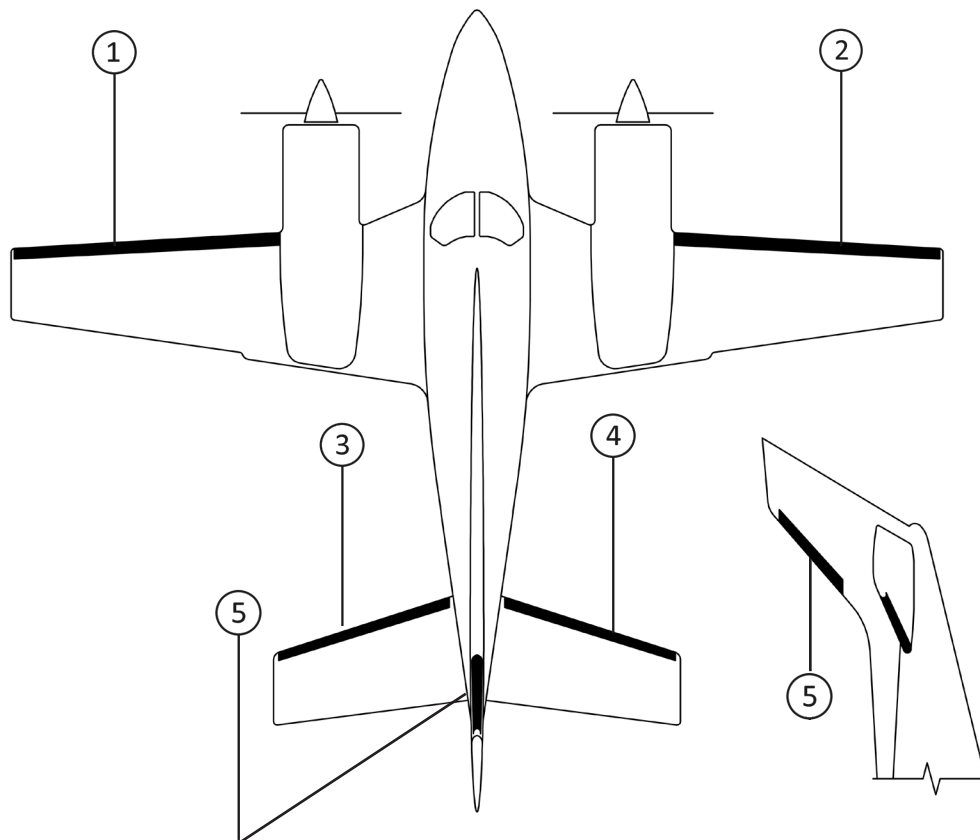

**BEECHCRAFT 58 (BARON) S/N TH-372 THRU TH-374**

**BEECHCRAFT 58 (BARON) S/N TH-375 THRU TH-1471, TH-1476, TH-1487, TH-1489, TH-1498**
**STANDARD DE-ICE BOOTS**

POSITION ID	GOODRICH PART NUMBER	AIRCRAFT OEM P/N	DESCRIPTION	QTY PER AIRCRAFT	WT
1	25S-7D5057-01		NACELLE-TIP LH DE-ICE BOOT	1	4.0
2	25S-7D5057-02		NACELLE-TIP RH DE-ICE BOOT	1	4.0
3	25S-7D5057-07		HORIZONTAL STABILIZER LH DE-ICE BOOT	1	1.9
4	25S-7D5057-08		HORIZONTAL STABILIZER RH DE-ICE BOOT	1	1.9
5	25S-7D5057-09		VERTICAL STABILIZER DE-ICE BOOT	1	1.8

**FASTboot® DE-ICE BOOTS**

POSITION ID	GOODRICH PART NUMBER	AIRCRAFT OEM P/N	DESCRIPTION	QTY PER AIRCRAFT	WT
1	P25S-7D5057-01		FASTBOOT® NACELLE-TIP LH DE-ICE BOOT	1	4.0
2	P25S-7D5057-02		FASTBOOT® NACELLE-TIP RH DE-ICE BOOT	1	4.0
3	P25S-7D5057-07		FASTBOOT® HORIZONTAL STABILIZER LH DE-ICE BOOT	1	1.9
4	P25S-7D5057-08		FASTBOOT® HORIZONTAL STABILIZER RH DE-ICE BOOT	1	1.9
5	P25S-7D5057-09		FASTBOOT® VERTICAL STABILIZER DE-ICE BOOT	1	1.8

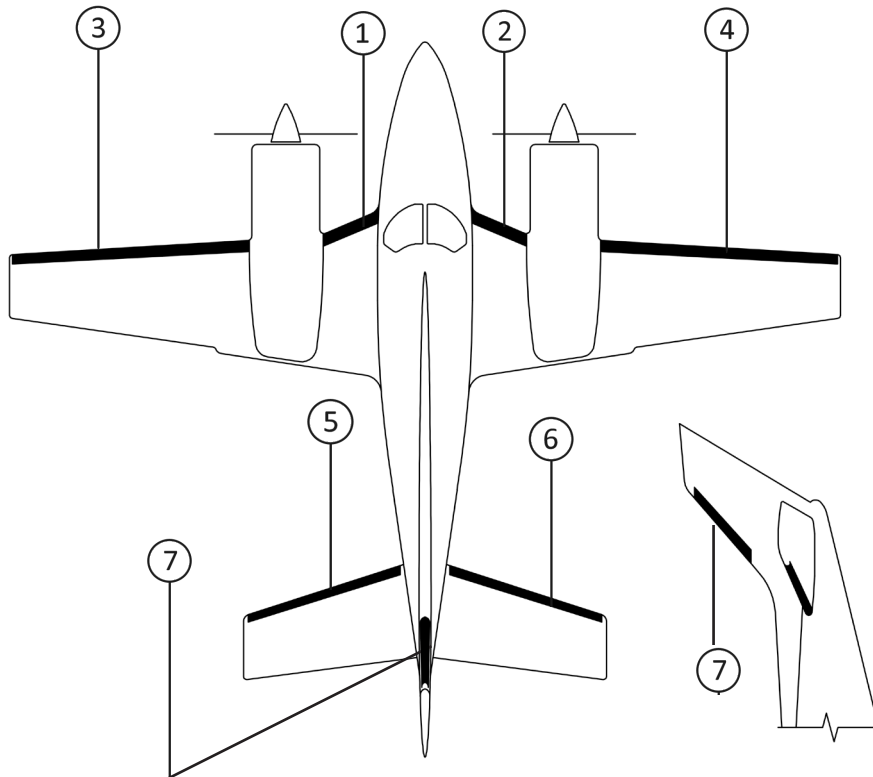

**BEECHCRAFT 58 (BARON) S/N TH-375 THRU TH-1471, TH-1476, TH-1487, TH-1489, TH-1498**

**BEECHCRAFT 58 (BARON) S/N TH-1472 UP EXCEPT TH-1476, TH-1487, TH-1489, TH-1498**
**STANDARD DE-ICE BOOTS**

POSITION ID	GOODRICH PART NUMBER	AIRCRAFT OEM P/N	DESCRIPTION	QTY PER AIRCRAFT	WT
1	25S-7D5057-13		FUSELAGE-NACELLE LH DE-ICE BOOT	1	0.9
2	25S-7D5057-14		FUSELAGE-NACELLE RH DE-ICE BOOT	1	0.9
3	25S-7D5057-01		NACELLE-TIP LH DE-ICE BOOT	1	4.0
4	25S-7D5057-02		NACELLE-TIP RH DE-ICE BOOT	1	4.0
5	25S-7D5057-07		HORIZONTAL STABILIZER LH DE-ICE BOOT	1	2.6
6	25S-7D5057-08		HORIZONTAL STABILIZER RH DE-ICE BOOT	1	2.6
7	25S-7D5057-09		VERTICAL STABILIZER DE-ICE BOOT	1	2.3

**FASTboot® DE-ICE BOOTS**

POSITION ID	GOODRICH PART NUMBER	AIRCRAFT OEM P/N	DESCRIPTION	QTY PER AIRCRAFT	WT
1	P25S-7D5057-13		FASTBOOT® FUSELAGE-NACELLE LH DE-ICE BOOT	1	0.9
2	P25S-7D5057-14		FASTBOOT® FUSELAGE-NACELLE RH DE-ICE BOOT	1	0.9
3	P25S-7D5057-01		FASTBOOT® NACELLE-TIP LH DE-ICE BOOT	1	4.0
4	P25S-7D5057-02		FASTBOOT® NACELLE-TIP RH DE-ICE BOOT	1	4.0
5	P25S-7D5057-07		FASTBOOT® HORIZONTAL STABILIZER LH DE-ICE BOOT	1	1.9
6	P25S-7D5057-08		FASTBOOT® HORIZONTAL STABILIZER RH DE-ICE BOOT	1	1.9
7	P25S-7D5057-09		FASTBOOT® VERTICAL STABILIZER DE-ICE BOOT	1	1.8



BEECHCRAFT 58 (BARON) S/N TH-1472 UP EXCEPT TH-1476, TH-1487, TH-1489, TH-1498

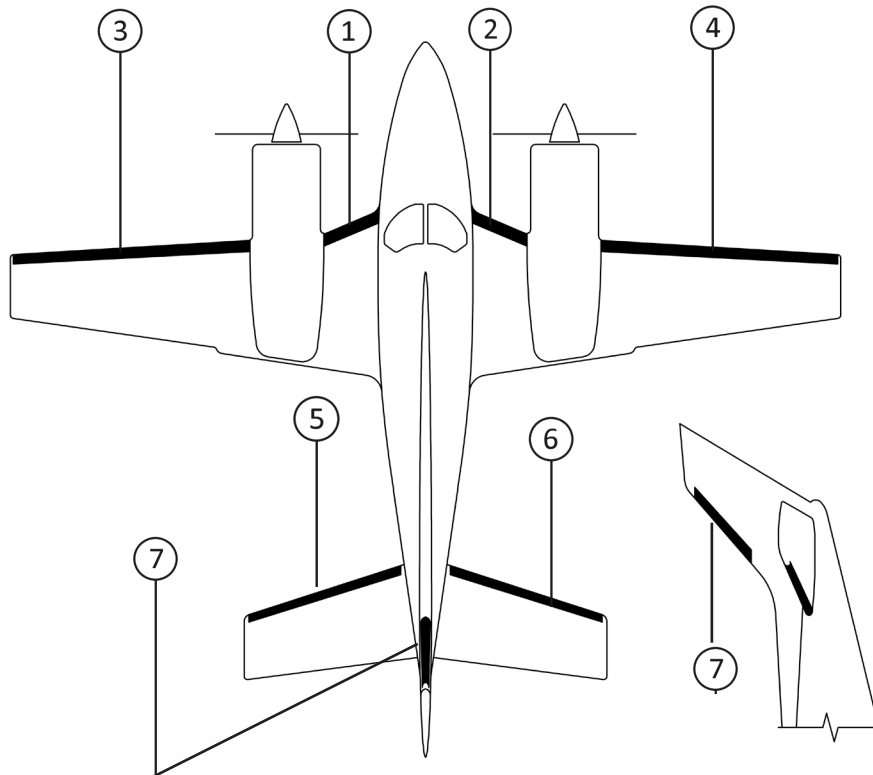


**BEECHCRAFT 58P (BARON) S/N TJ-3 THRU TJ-31, TJ-33 THRU TJ-37**
**STANDARD DE-ICE BOOTS**

POSITION ID	GOODRICH PART NUMBER	AIRCRAFT OEM P/N	DESCRIPTION	QTY PER AIRCRAFT	WT
1	25S-7D5057-13		FUSELAGE-NACELLE LH DE-ICE BOOT	1	0.9
2	25S-7D5057-14		FUSELAGE-NACELLE RH DE-ICE BOOT	1	0.9
3	25S-7D5057-01		NACELLE-TIP LH DE-ICE BOOT	1	4.0
4	25S-7D5057-02		NACELLE-TIP RH DE-ICE BOOT	1	4.0
5	25S-7D5057-07		HORIZONTAL STABILIZER LH DE-ICE BOOT	1	1.9
6	25S-7D5057-08		HORIZONTAL STABILIZER RH DE-ICE BOOT	1	1.9
7	25S-7D5057-09		VERTICAL STABILIZER DE-ICE BOOT	1	1.8

**FASTboot® DE-ICE BOOTS**

POSITION ID	GOODRICH PART NUMBER	AIRCRAFT OEM P/N	DESCRIPTION	QTY PER AIRCRAFT	WT
1	P25S-7D5057-13		FASTBOOT® FUSELAGE-NACELLE LH DE-ICE BOOT	1	0.9
2	P25S-7D5057-14		FASTBOOT® FUSELAGE-NACELLE RH DE-ICE BOOT	1	0.9
3	P25S-7D5057-01		FASTBOOT® NACELLE-TIP LH DE-ICE BOOT	1	4.0
4	P25S-7D5057-02		FASTBOOT® NACELLE-TIP RH DE-ICE BOOT	1	4.0
5	P25S-7D5057-07		FASTBOOT® HORIZONTAL STABILIZER LH DE-ICE BOOT	1	1.9
6	P25S-7D5057-08		FASTBOOT® HORIZONTAL STABILIZER RH DE-ICE BOOT	1	1.9
7	P25S-7D5057-09		FASTBOOT® VERTICAL STABILIZER DE-ICE BOOT	1	1.8

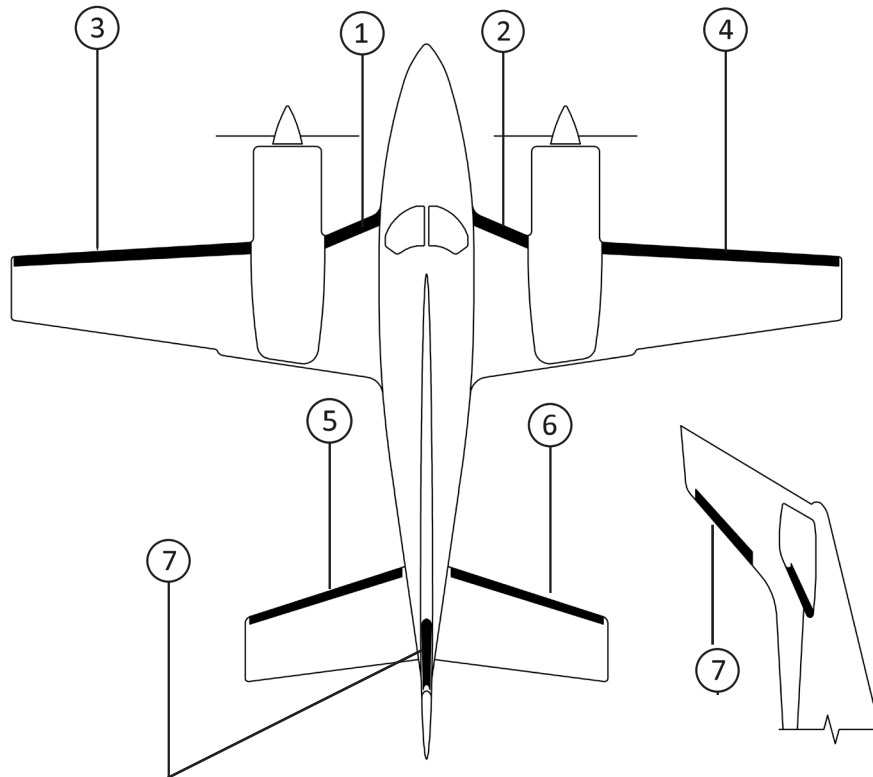

**BEECHCRAFT 58P (BARON) S/N TJ-3 THRU TJ-31, TJ-33 THRU TJ-37**

**BEECHCRAFT 58P (BARON) S/N TJ-32, TJ-38 UP**
**STANDARD DE-ICE BOOTS**

POSITION ID	GOODRICH PART NUMBER	AIRCRAFT OEM P/N	DESCRIPTION	QTY PER AIRCRAFT	WT
1	25S-7D5057-13		FUSELAGE-NACELLE LH DE-ICE BOOT	1	0.9
2	25S-7D5057-14		FUSELAGE-NACELLE RH DE-ICE BOOT	1	0.9
3	25S-7D5057-11		NACELLE-TIP LH DE-ICE BOOT	1	4.0
4	25S-7D5057-12		NACELLE-TIP RH DE-ICE BOOT	1	4.0
5	25S-7D5057-07		HORIZONTAL STABILIZER LH DE-ICE BOOT	1	1.9
6	25S-7D5057-08		HORIZONTAL STABILIZER RH DE-ICE BOOT	1	1.9
7	25S-7D5057-09		VERTICAL STABILIZER DE-ICE BOOT	1	1.8

**FASTboot® DE-ICE BOOTS**

POSITION ID	GOODRICH PART NUMBER	AIRCRAFT OEM P/N	DESCRIPTION	QTY PER AIRCRAFT	WT
1	P25S-7D5057-13		FASTBOOT® FUSELAGE-NACELLE LH DE-ICE BOOT	1	0.9
2	P25S-7D5057-14		FASTBOOT® FUSELAGE-NACELLE RH DE-ICE BOOT	1	0.9
3	P25S-7D5057-11		FASTBOOT® NACELLE-TIP LH DE-ICE BOOT	1	4.0
4	P25S-7D5057-12		FASTBOOT® NACELLE-TIP RH DE-ICE BOOT	1	4.0
5	P25S-7D5057-07		FASTBOOT® HORIZONTAL STABILIZER LH DE-ICE BOOT	1	1.9
6	P25S-7D5057-08		FASTBOOT® HORIZONTAL STABILIZER RH DE-ICE BOOT	1	1.9
7	P25S-7D5057-09		FASTBOOT® VERTICAL STABILIZER DE-ICE BOOT	1	1.8

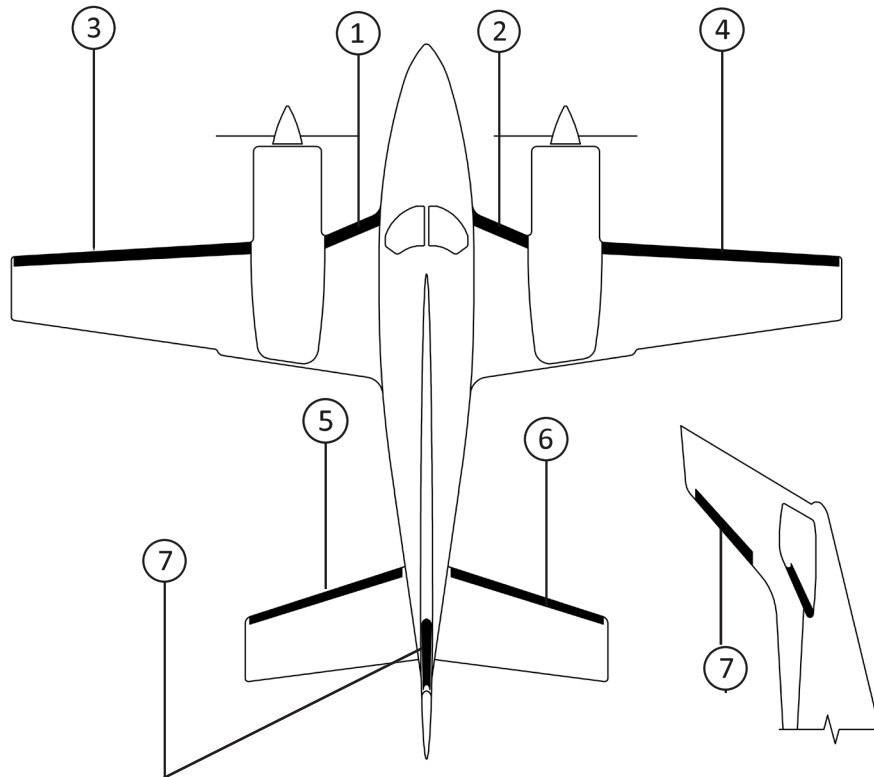

**BEECHCRAFT 58P (BARON) S/N TJ-32, TJ-38 UP**

**BEECHCRAFT 58TC (BARON)**
**STANDARD DE-ICE BOOTS**

POSITION ID	GOODRICH PART NUMBER	AIRCRAFT OEM P/N	DESCRIPTION	QTY PER AIRCRAFT	WT
1	25S-7D5057-13		FUSELAGE-NACELLE LH DE-ICE BOOT	1	0.9
2	25S-7D5057-14		FUSELAGE-NACELLE RH DE-ICE BOOT	1	0.9
3	25S-7D5057-11		NACELLE-TIP LH DE-ICE BOOT	1	4.0
4	25S-7D5057-12		NACELLE-TIP RH DE-ICE BOOT	1	4.0
5	25S-7D5057-07		HORIZONTAL STABILIZER LH DE-ICE BOOT	1	1.9
6	25S-7D5057-08		HORIZONTAL STABILIZER RH DE-ICE BOOT	1	1.9
7	25S-7D5057-09		VERTICAL STABILIZER DE-ICE BOOT	1	1.8

**FASTboot® DE-ICE BOOTS**

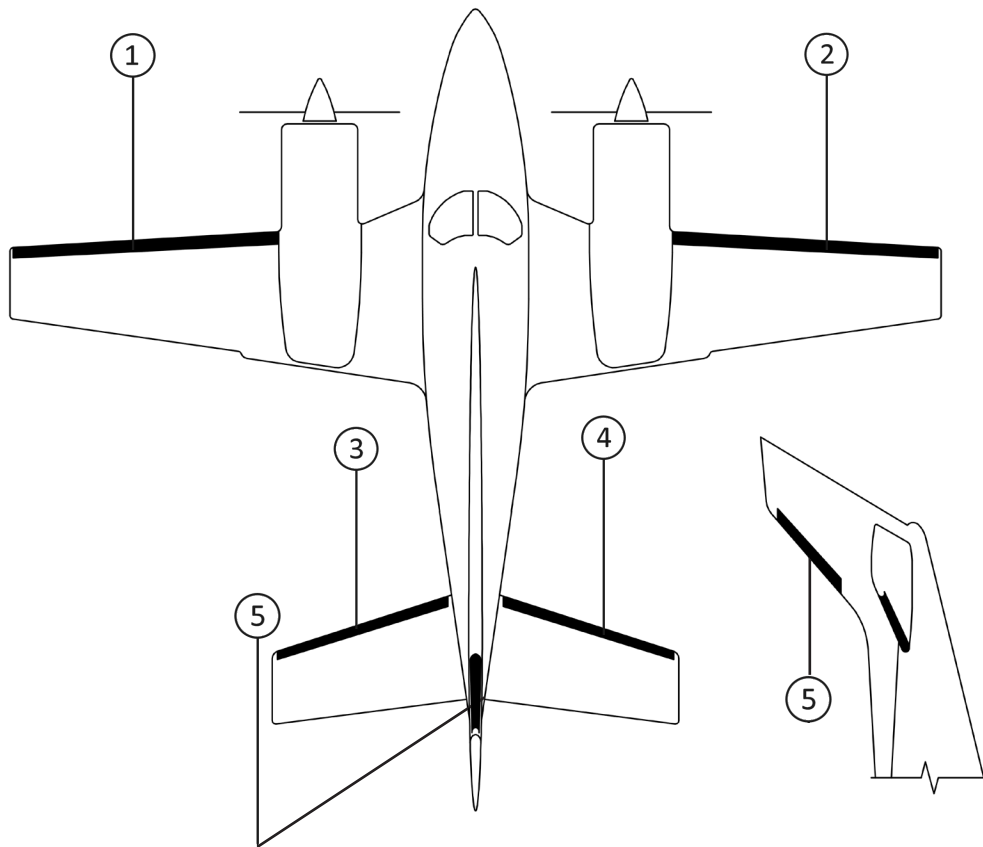
POSITION ID	GOODRICH PART NUMBER	AIRCRAFT OEM P/N	DESCRIPTION	QTY PER AIRCRAFT	WT
1	P25S-7D5057-13		FASTBOOT® FUSELAGE-NACELLE LH DE-ICE BOOT	1	0.9
2	P25S-7D5057-14		FASTBOOT® FUSELAGE-NACELLE RH DE-ICE BOOT	1	0.9
3	P25S-7D5057-11		FASTBOOT® NACELLE-TIP LH DE-ICE BOOT	1	4.0
4	P25S-7D5057-12		FASTBOOT® NACELLE-TIP RH DE-ICE BOOT	1	4.0
5	P25S-7D5057-07		FASTBOOT® HORIZONTAL STABILIZER LH DE-ICE BOOT	1	1.9
6	P25S-7D5057-08		FASTBOOT® HORIZONTAL STABILIZER RH DE-ICE BOOT	1	1.9
7	P25S-7D5057-09		FASTBOOT® VERTICAL STABILIZER DE-ICE BOOT	1	1.8


**BEECHCRAFT 58TC (BARON)**

**BEECHCRAFT 60 (DUKE)**

**STANDARD DE-ICE BOOTS**

POSITION ID	GOODRICH PART NUMBER	AIRCRAFT OEM P/N	DESCRIPTION	QTY PER AIRCRAFT	WT
1	23S-2124-4-1	60-380000-1	NACELLE-TIP LH DE-ICE BOOT	1	6.0
2	23S-2124-4-2	60-380000-2	NACELLE-TIP RH DE-ICE BOOT	1	6.3
3	23S-2124-2-1	60-380000-3	HORIZONTAL STABILIZER LH DE-ICE BOOT	1	3.9
4	23S-2124-2-2	60-380000-4	HORIZONTAL STABILIZER RH DE-ICE BOOT	1	3.9
5	23S-2124-3-1	60-380000-5	VERTICAL STABILIZER DE-ICE BOOT	1	1.7



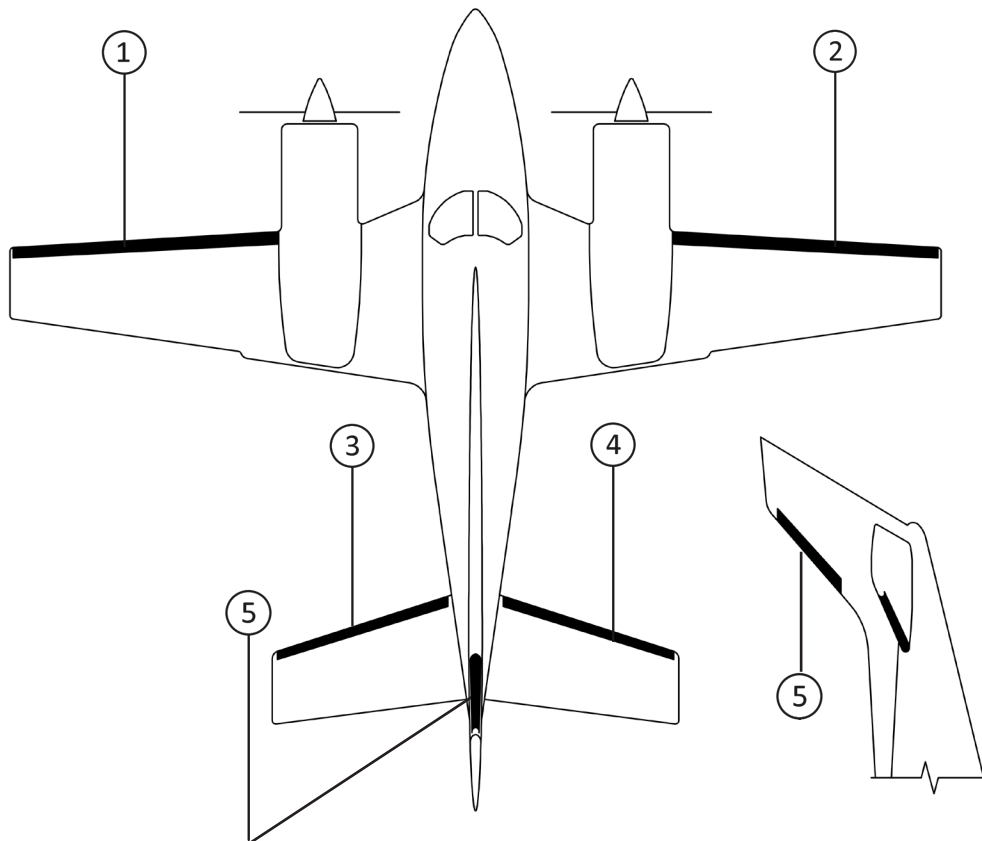
**BEECHCRAFT 60 (DUKE)**

**BEECHCRAFT 60 (DUKE) S/N P-50 UP**
**STANDARD DE-ICE BOOTS**

POSITION ID	GOODRICH PART NUMBER	AIRCRAFT OEM P/N	DESCRIPTION	QTY PER AIRCRAFT	WT
1	23S-2124-5-1*	60-380000-7	NACELLE-TIP LH DE-ICE BOOT	1	6.0
2	23S-2124-5-2*	60-380000-8	NACELLE-TIP RH DE-ICE BOOT	1	6.0
3	23S-2124-2-1**	60-380000-3	HORIZONTAL STABILIZER LH DE-ICE BOOT	1	3.9
4	23S-2124-2-2**	60-380000-4	HORIZONTAL STABILIZER RH DE-ICE BOOT	1	3.9
5	23S-2124-3-1	60-380000-5	VERTICAL STABILIZER DE-ICE BOOT	1	1.7

\*EXCLUDING S/N P-253

\*\*EXCLUDING S/N P-252, P-253


**BEECHCRAFT 60 (DUKE) S/N P-50 UP**

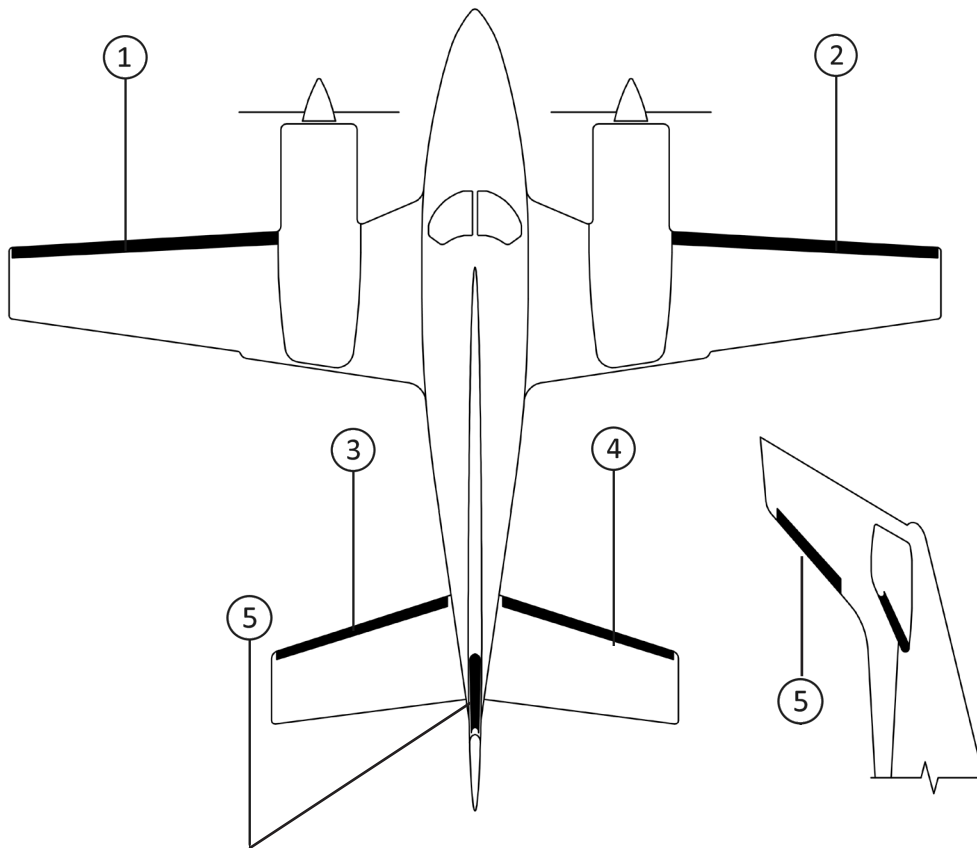
**BEECHCRAFT A60 (DUKE) S/N P-123 UP**

**STANDARD DE-ICE BOOTS**

POSITION ID	GOODRICH PART NUMBER	AIRCRAFT OEM P/N	DESCRIPTION	QTY PER AIRCRAFT	WT
1	23S-2124-5-1*	60-380000-7	NACELLE-TIP LH DE-ICE BOOT	1	6.0
2	23S-2124-5-2*	60-380000-8	NACELLE-TIP RH DE-ICE BOOT	1	6.0
3	23S-2124-2-1**	60-380000-3	HORIZONTAL STABILIZER LH DE-ICE BOOT	1	3.9
4	23S-2124-2-2**	60-380000-4	HORIZONTAL STABILIZER RH DE-ICE BOOT	1	3.9
5	23S-2124-3-1	60-380000-5	VERTICAL STABILIZER DE-ICE BOOT	1	1.7

\*EXCLUDING S/N P-253

\*\*EXCLUDING S/N P-252, P-253



**BEECHCRAFT A60 (DUKE) S/N P-123 UP**

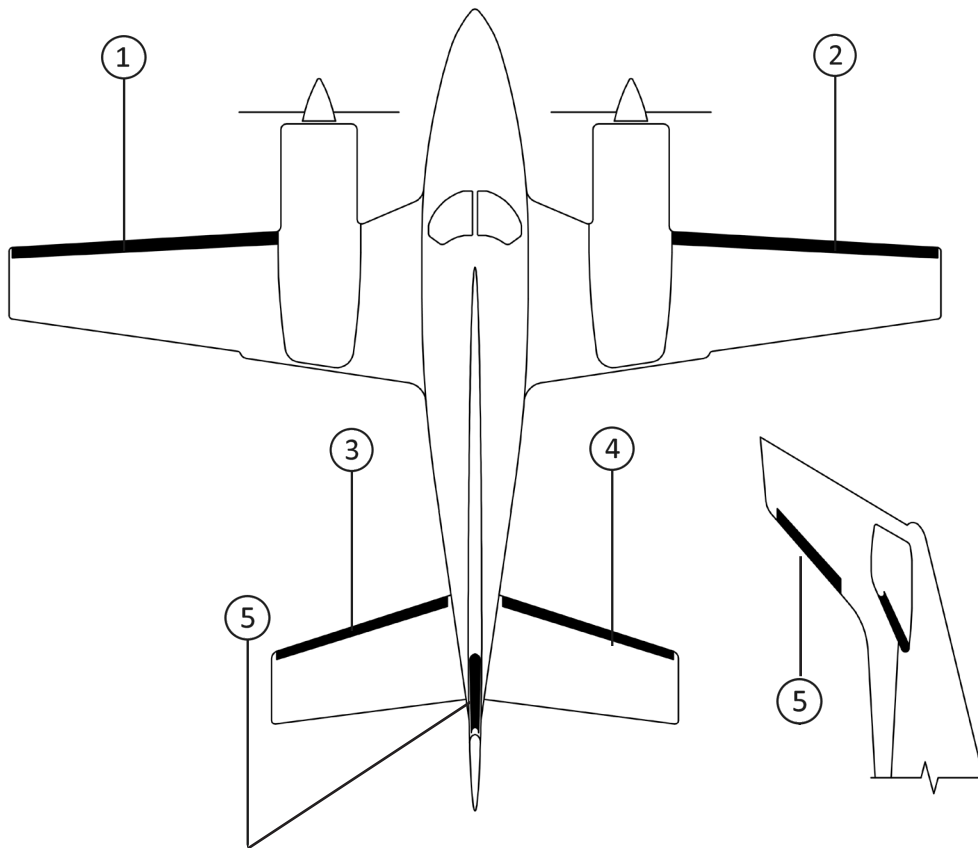
**BEECHCRAFT B60 (DUKE) S/N P-247 THRU P-253 (DUKE)**

**STANDARD DE-ICE BOOTS**

POSITION ID	GOODRICH PART NUMBER	AIRCRAFT OEM P/N	DESCRIPTION	QTY PER AIRCRAFT	WT
1	23S-2124-5-1*	60-380000-7	NACELLE-TIP LH DE-ICE BOOT	1	6.0
2	23S-2124-5-2*	60-380000-8	NACELLE-TIP RH DE-ICE BOOT	1	6.0
3	23S-2124-2-1**	60-380000-3	HORIZONTAL STABILIZER LH DE-ICE BOOT	1	3.9
4	23S-2124-2-2**	60-380000-4	HORIZONTAL STABILIZER RH DE-ICE BOOT	1	3.9
5	23S-2124-3-1	60-380000-5	VERTICAL STABILIZER DE-ICE BOOT	1	1.7

\*EXCLUDING S/N P-253

\*\*EXCLUDING S/N P-252, P-253



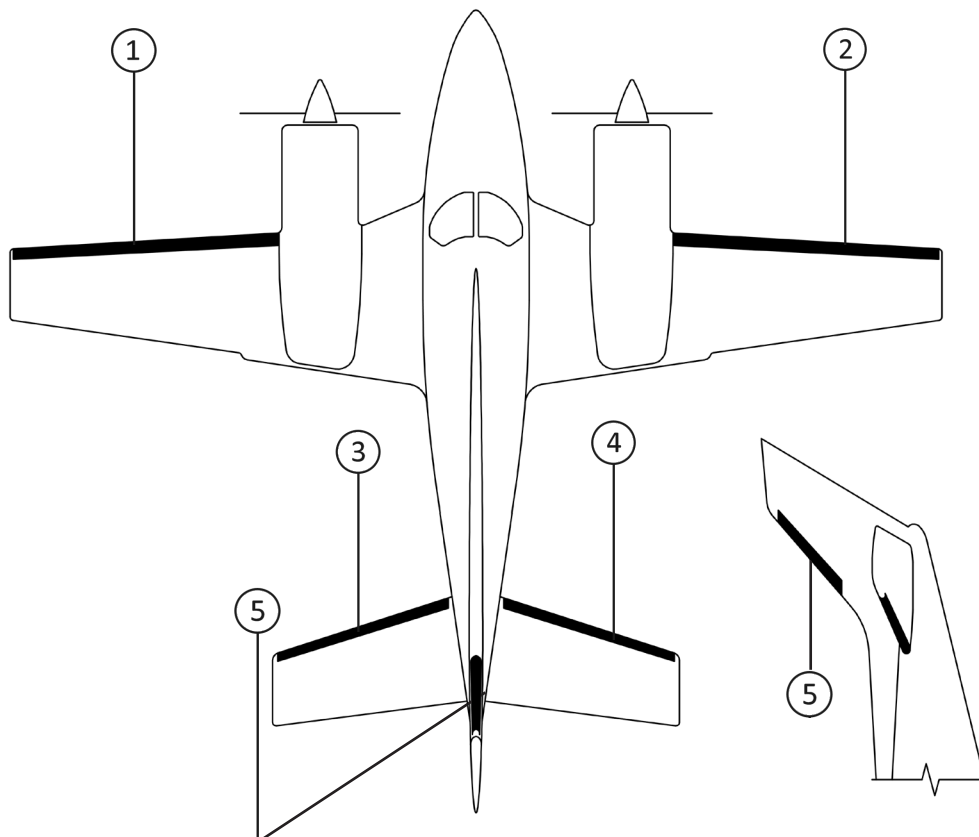
**BEECHCRAFT B60 (DUKE) S/N P-247 THRU P-253 (DUKE)**

**BEECHCRAFT B60 (DUKE) S/N P-252 UP WITH LIGHTS**
**STANDARD DE-ICE BOOTS**

POSITION ID	GOODRICH PART NUMBER	AIRCRAFT OEM P/N	DESCRIPTION	QTY PER AIRCRAFT	WT
1	25S-7D5057-01		NACELLE-TIP LH DE-ICE BOOT	1	4.0
2	25S-7D5057-02		NACELLE-TIP RH DE-ICE BOOT	1	4.0
3	25S-7D5057-05		HORIZONTAL STABILIZER LH DE-ICE BOOT	1	2.3
4	25S-7D5057-06		HORIZONTAL STABILIZER RH DE-ICE BOOT	1	2.3
5	25S-7D5057-10		VERTICAL STABILIZER DE-ICE BOOT	1	1.0

**FASTboot® DE-ICE BOOTS**

POSITION ID	GOODRICH PART NUMBER	AIRCRAFT OEM P/N	DESCRIPTION	QTY PER AIRCRAFT	WT
1	P25S-7D5057-01		FASTBOOT® NACELLE-TIP LH DE-ICE BOOT	1	4.0
2	P25S-7D5057-02		FASTBOOT® NACELLE-TIP RH DE-ICE BOOT	1	4.0
3	P25S-7D5057-05		FASTBOOT® HORIZONTAL STABILIZER LH DE-ICE BOOT	1	2.3
4	P25S-7D5057-06		FASTBOOT® HORIZONTAL STABILIZER RH DE-ICE BOOT	1	2.3
5	P25S-7D5057-10		FASTBOOT® VERTICAL STABILIZER DE-ICE BOOT	1	1.0


**BEECHCRAFT B60 (DUKE) S/N P-252 UP WITH LIGHTS**

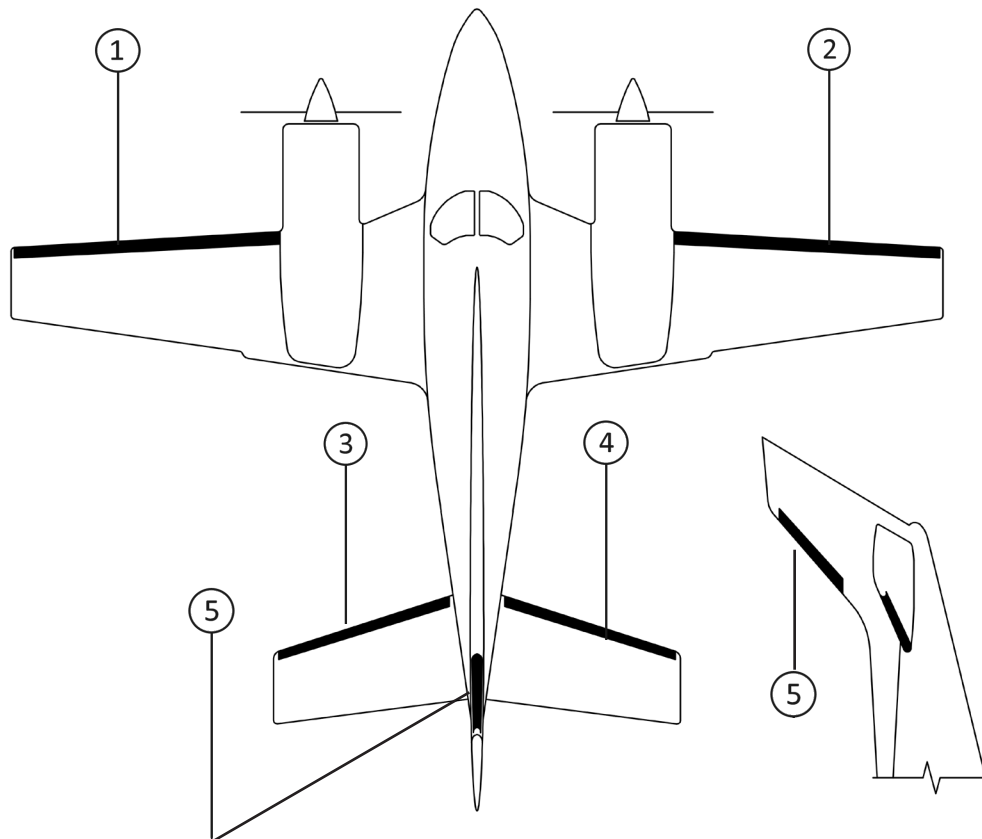


**BEECHCRAFT B60 (DUKE) S/N P-252 UP WITHOUT LIGHTS**
**STANDARD DE-ICE BOOTS**

POSITION ID	GOODRICH PART NUMBER	AIRCRAFT OEM P/N	DESCRIPTION	QTY PER AIRCRAFT	WT
1	25S-7D5057-11		NACELLE-TIP LH DE-ICE BOOT	1	4.0
2	25S-7D5057-12		NACELLE-TIP RH DE-ICE BOOT	1	4.0
3	25S-7D5057-05		HORIZONTAL STABILIZER LH DE-ICE BOOT	1	2.3
4	25S-7D5057-06		HORIZONTAL STABILIZER RH DE-ICE BOOT	1	2.3
5	25S-7D5057-10		VERTICAL STABILIZER DE-ICE BOOT	1	1.0

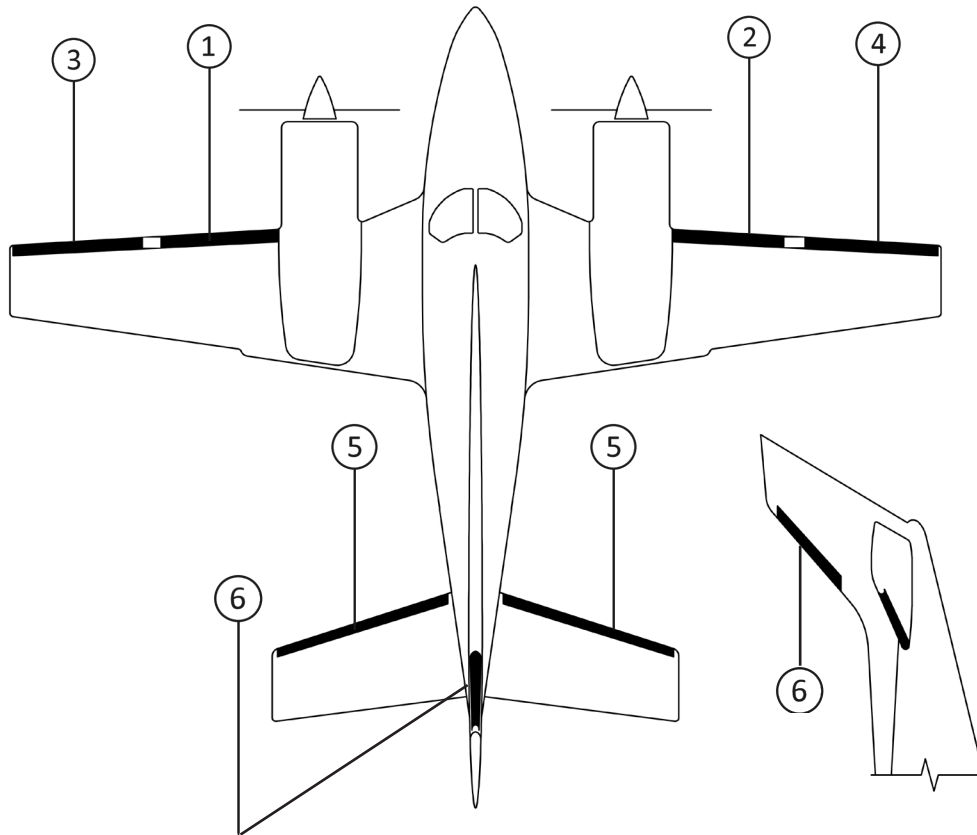
**FASTboot® DE-ICE BOOTS**

POSITION ID	GOODRICH PART NUMBER	AIRCRAFT OEM P/N	DESCRIPTION	QTY PER AIRCRAFT	WT
1	P25S-7D5057-11		FASTBOOT® NACELLE-TIP LH DE-ICE BOOT	1	4.0
2	P25S-7D5057-12		FASTBOOT® NACELLE-TIP RH DE-ICE BOOT	1	4.0
3	P25S-7D5057-05		FASTBOOT® HORIZONTAL STABILIZER LH DE-ICE BOOT	1	2.3
4	P25S-7D5057-06		FASTBOOT® HORIZONTAL STABILIZER RH DE-ICE BOOT	1	2.3
5	P25S-7D5057-10		FASTBOOT® VERTICAL STABILIZER DE-ICE BOOT	1	1.0


**BEECHCRAFT B60 (DUKE) S/N P-252 UP WITHOUT LIGHTS**

**BEECHCRAFT 65 (QUEEN AIR)**
**STANDARD DE-ICE BOOTS**

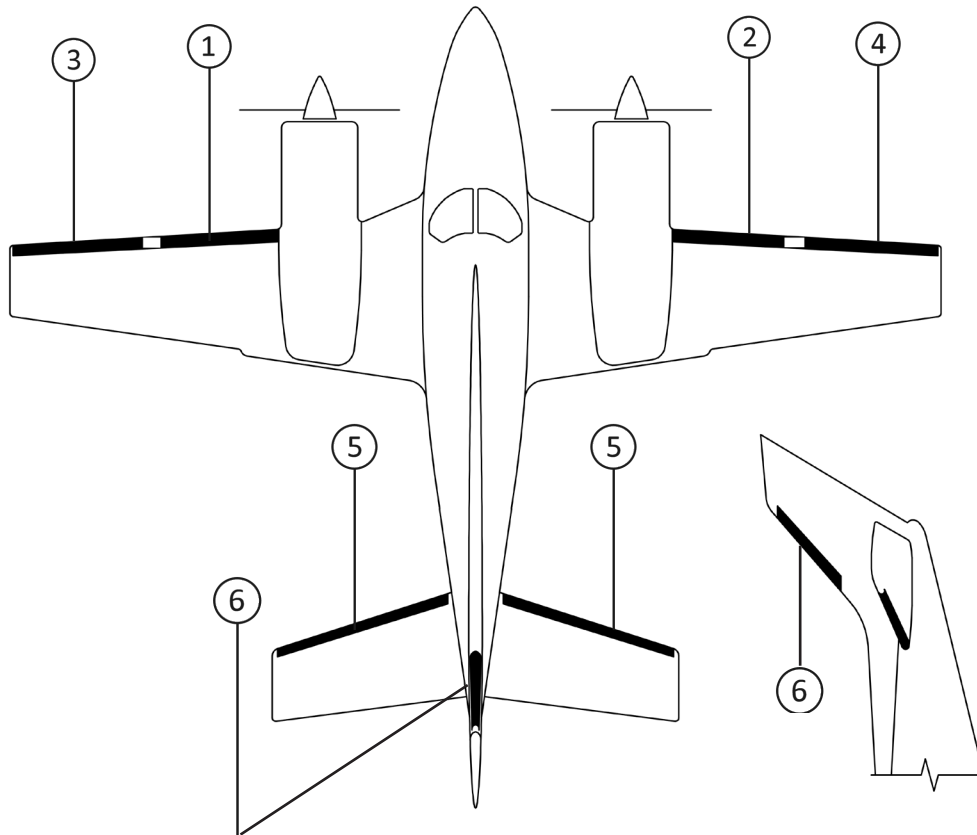
POSITION ID	GOODRICH PART NUMBER	AIRCRAFT OEM P/N	DESCRIPTION	QTY PER AIRCRAFT	WT
1	23S-2014-1-1	50-380139-9	NACELLE-LIGHT LH DE-ICE BOOT	1	4.1
2	23S-2014-1-2	50-380139-10	NACELLE-LIGHT RH DE-ICE BOOT	1	4.1
3	23S-2014-2-1	50-380139-7	LIGHT-TIP LH DE-ICE BOOT	1	5.3
4	23S-2014-2-2	50-380139-8	LIGHT-TIP RH DE-ICE BOOT	1	5.3
5	23S-2014-9-1	50-380139-4	HORIZONTAL STABILIZER LH/RH DE-ICE BOOT	2	2.9
6	23S-2014-10-1	50-380139-3	VERTICAL STABILIZER DE-ICE BOOT	1	2.1


**BEECHCRAFT 65 (QUEEN AIR)**

**BEECHCRAFT A65 (QUEEN AIR)**

**STANDARD DE-ICE BOOTS**

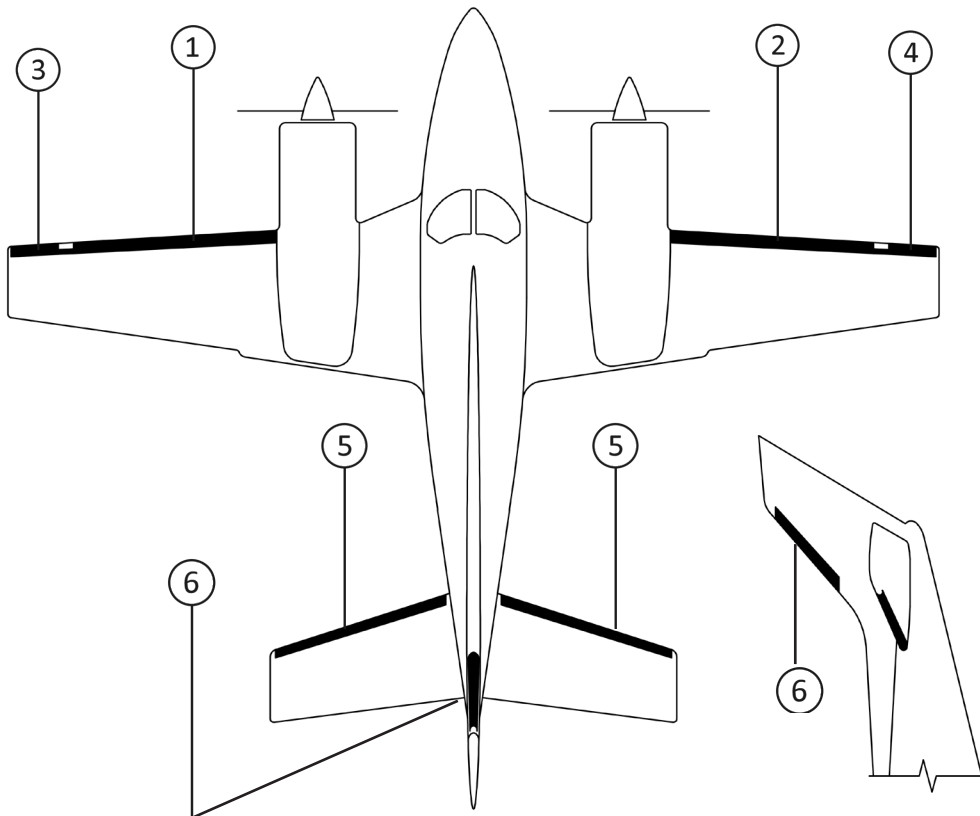
POSITION ID	GOODRICH PART NUMBER	AIRCRAFT OEM P/N	DESCRIPTION	QTY PER AIRCRAFT	WT
1	23S-2014-1-1	50-380139-9	NACELLE-LIGHT LH DE-ICE BOOT	1	4.1
2	23S-2014-1-2	50-380139-10	NACELLE-LIGHT RH DE-ICE BOOT	1	4.1
3	23S-2014-2-1	50-380139-7	LIGHT-TIP LH DE-ICE BOOT	1	5.3
4	23S-2014-2-2	50-380139-8	LIGHT-TIP RH DE-ICE BOOT	1	5.3
5	23S-2014-9-1	50-380139-4	HORIZONTAL STABILIZER LH/RH DE-ICE BOOT	2	2.9
6	23S-2014-10-1	50-380139-3	VERTICAL STABILIZER DE-ICE BOOT	1	2.1



**BEECHCRAFT A65 (QUEEN AIR)**

**BEECHCRAFT 65-A80 (QUEEN AIR)**
**STANDARD DE-ICE BOOTS**

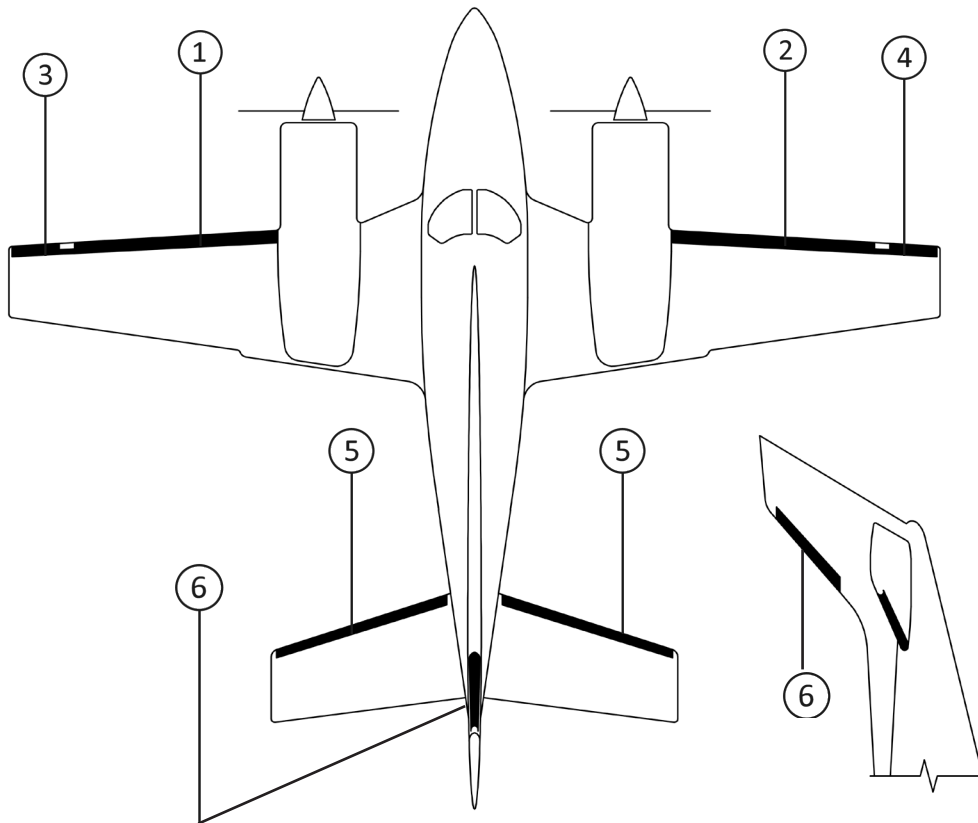
POSITION ID	GOODRICH PART NUMBER	AIRCRAFT OEM P/N	DESCRIPTION	QTY PER AIRCRAFT	WT
1	23S-2014-11-1	50-380139-1	BREAK-LIGHT LH DE-ICE BOOT	1	6.6
2	23S-2014-11-2	50-380139-2	BREAK-LIGHT RH DE-ICE BOOT	1	6.6
3	23S-2014-12-1	50-380139-5	LIGHT-TIP LH DE-ICE BOOT	1	1.2
4	23S-2014-12-2	50-380139-6	LIGHT-TIP RH DE-ICE BOOT	1	1.2
5	23S-2014-9-1	50-380139-4	HORIZONTAL STABILIZER LH/RH DE-ICE BOOT	2	2.9
6	23S-2014-10-1	50-380139-3	VERTICAL STABILIZER DE-ICE BOOT	1	2.1


**BEECHCRAFT 65-A80 (QUEEN AIR)**

**BEECHCRAFT 65-A80-8800 (QUEEN AIR)**

**STANDARD DE-ICE BOOTS**

POSITION ID	GOODRICH PART NUMBER	AIRCRAFT OEM P/N	DESCRIPTION	QTY PER AIRCRAFT	WT
1	23S-2014-11-1	50-380139-1	BREAK-LIGHT LH DE-ICE BOOT	1	6.6
2	23S-2014-11-2	50-380139-2	BREAK-LIGHT RH DE-ICE BOOT	1	6.6
3	23S-2014-12-1	50-380139-5	LIGHT-TIP LH DE-ICE BOOT	1	1.2
4	23S-2014-12-2	50-380139-6	LIGHT-TIP RH DE-ICE BOOT	1	1.2
5	23S-2014-9-1	50-380139-4	HORIZONTAL STABILIZER LH/RH DE-ICE BOOT	2	2.9
6	23S-2014-10-1	50-380139-3	VERTICAL STABILIZER DE-ICE BOOT	1	2.1



**BEECHCRAFT 65-A80-8800 (QUEEN AIR)**

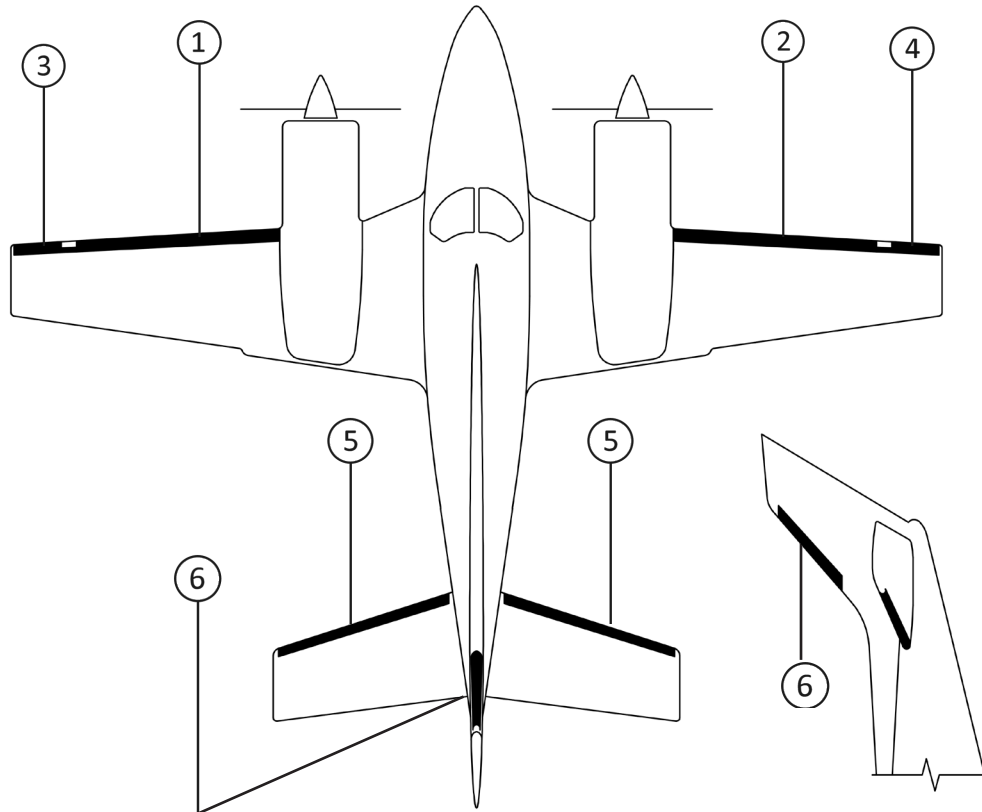
**BEECHCRAFT 65-B80 (QUEEN AIR)**
**STANDARD DE-ICE BOOTS**

POSITION ID	GOODRICH PART NUMBER	AIRCRAFT OEM P/N	DESCRIPTION	QTY PER AIRCRAFT	WT
1	23S-2014-11-1	50-380139-1	BREAK-LIGHT LH DE-ICE BOOT	1	6.6
2	23S-2014-11-2	50-380139-2	BREAK-LIGHT RH DE-ICE BOOT	1	6.6
3	23S-2014-15-1	50-380139-13	LIGHT-TIP LH DE-ICE BOOT	1	1.0
4	23S-2014-15-2	50-380139-14	LIGHT-TIP RH DE-ICE BOOT	1	1.0
5	23S-2014-9-1	50-380139-4	HORIZONTAL STABILIZER LH/RH DE-ICE BOOT	2	2.9
6	23S-2014-10-1	50-380139-3	VERTICAL STABILIZER DE-ICE BOOT	1	2.1

**OPTIONAL STANDARD DE-ICE BOOTS**

POSITION ID	GOODRICH PART NUMBER	AIRCRAFT OEM P/N	DESCRIPTION	QTY PER AIRCRAFT	WT
3	23S-2014-12-1*	50-380139-5	LIGHT-TIP LH DE-ICE BOOT	1	1.2
4	23S-2014-12-2*	50-380139-6	LIGHT-TIP RH DE-ICE BOOT	1	1.2

\*PART NUMBERS 23S-2014-12-1, -12-2 ARE USED ON AIRCRAFT WITHOUT STROBE LIGHT


**BEECHCRAFT 65-B80 (QUEEN AIR)**

**BEECHCRAFT 65-88 (QUEEN AIR)**

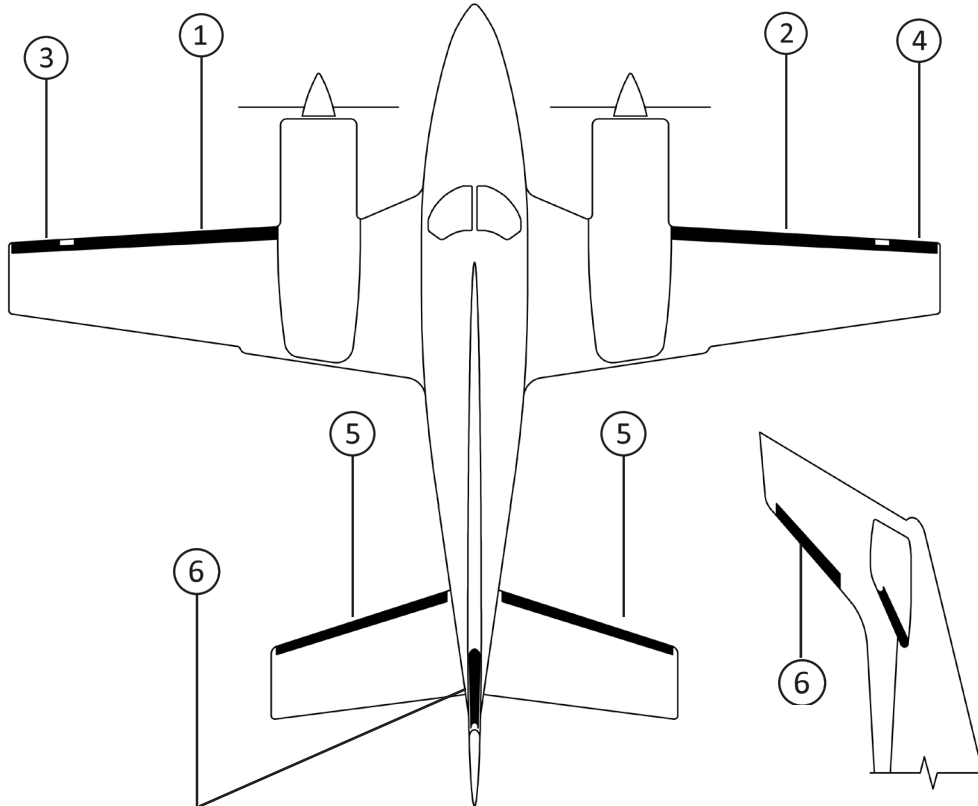
**STANDARD DE-ICE BOOTS**

POSITION ID	GOODRICH PART NUMBER	AIRCRAFT OEM P/N	DESCRIPTION	QTY PER AIRCRAFT	WT
1	23S-2014-11-1	50-380139-1	BREAK-LIGHT LH DE-ICE BOOT	1	6.6
2	23S-2014-11-2	50-380139-2	BREAK-LIGHT RH DE-ICE BOOT	1	6.6
3	23S-2014-15-1	50-380139-13	LIGHT-TIP LH DE-ICE BOOT	1	1.0
4	23S-2014-15-2	50-380139-14	LIGHT-TIP RH DE-ICE BOOT	1	1.0
5	23S-2014-9-1	50-380139-4	HORIZONTAL STABILIZER LH/RH DE-ICE BOOT	2	2.9
6	23S-2014-10-1	50-380139-3	VERTICAL STABILIZER DE-ICE BOOT	1	2.1

**OPTIONAL STANDARD DE-ICE BOOTS**

POSITION ID	GOODRICH PART NUMBER	AIRCRAFT OEM P/N	DESCRIPTION	QTY PER AIRCRAFT	WT
3	23S-2014-12-1*	50-380139-5	LIGHT-TIP LH DE-ICE BOOT	1	1.2
4	23S-2014-12-2*	50-380139-6	LIGHT-TIP RH DE-ICE BOOT	1	1.2

\*PART NUMBERS 23S-2014-12-1, -12-2 ARE USED ON AIRCRAFT WITHOUT STROBE LIGHT

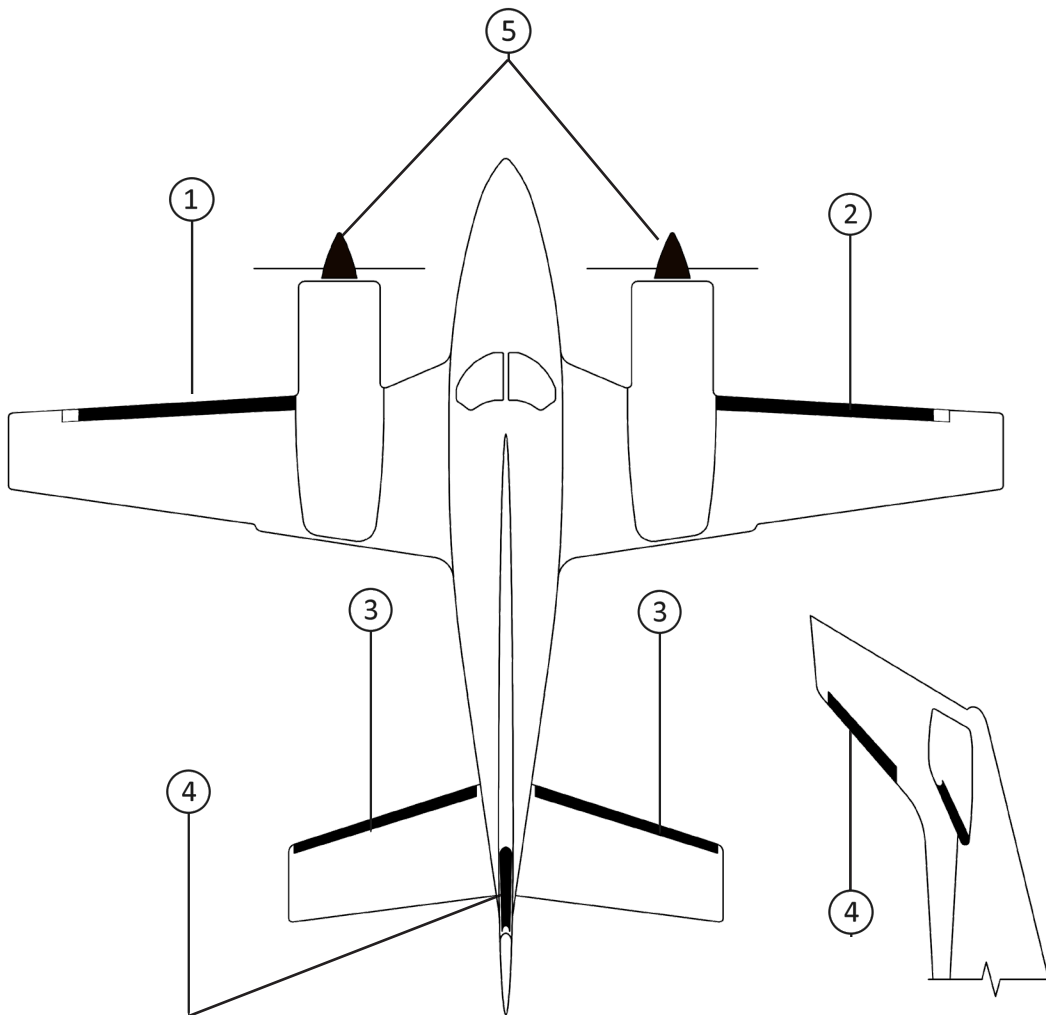


**BEECHCRAFT 65-88 (QUEEN AIR)**

**BEECHCRAFT 65-90 (KING AIR)**

**STANDARD DE-ICE BOOTS**

POSITION ID	GOODRICH PART NUMBER	AIRCRAFT OEM P/N	DESCRIPTION	QTY PER AIRCRAFT	WT
1	23S-2014-11-1	50-380139-1	BREAK-LIGHT LH DE-ICE BOOT	1	6.6
2	23S-2014-11-2	50-380139-2	BREAK-LIGHT RH DE-ICE BOOT	1	6.6
3	23S-2014-9-1	50-380139-4	HORIZONTAL STABILIZER LH/RH DE-ICE BOOT	2	2.9
4	23S-2014-10-1	50-380139-3	VERTICAL STABILIZER DE-ICE BOOT	1	2.1
5	5E1319	50-389028	ENGINE INLET ANTI-ICER	2	



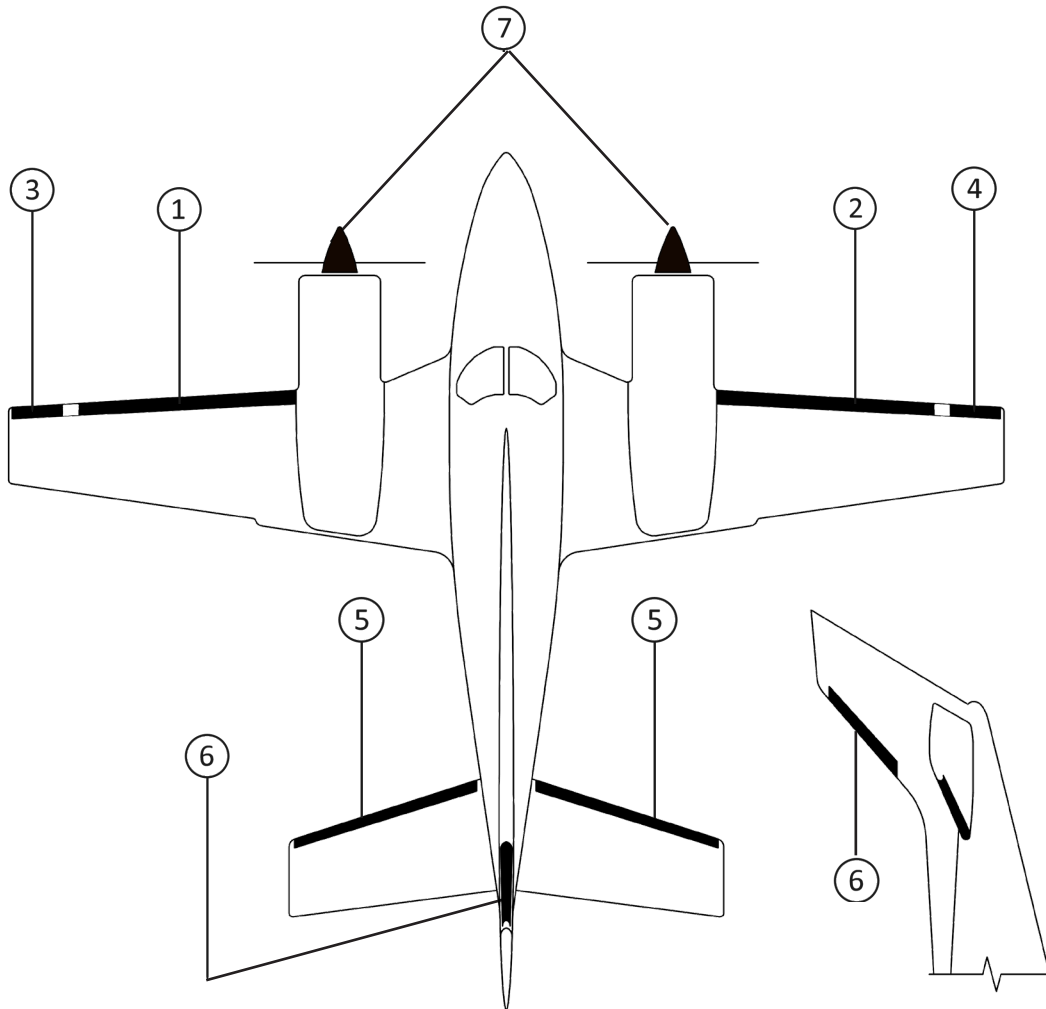
**BEECHCRAFT 65-90 (KING AIR)**



**BEECHCRAFT 65-A90 (KING AIR)**

**STANDARD DE-ICE BOOTS**

POSITION ID	GOODRICH PART NUMBER	AIRCRAFT OEM P/N	DESCRIPTION	QTY PER AIRCRAFT	WT
1	23S-2014-11-1	50-380139-1	BREAK-LIGHT LH DE-ICE BOOT	1	6.6
2	23S-2014-11-2	50-380139-2	BREAK-LIGHT RH DE-ICE BOOT	1	6.6
3	23S-2014-15-1	50-380139-13	LIGHT-TIP LH DE-ICE BOOT	1	1.0
4	23S-2014-15-2	50-380139-14	LIGHT-TIP RH DE-ICE BOOT	1	1.0
5	23S-2014-9-1	50-380139-4	HORIZONTAL STABILIZER LH/RH DE-ICE BOOT	2	2.9
6	23S-2014-10-1	50-380139-3	VERTICAL STABILIZER DE-ICE BOOT	1	2.1
7	5E1319	50-389028	ENGINE INLET ANTI-ICER	2	



**BEECHCRAFT 65-A90 (KING AIR)**

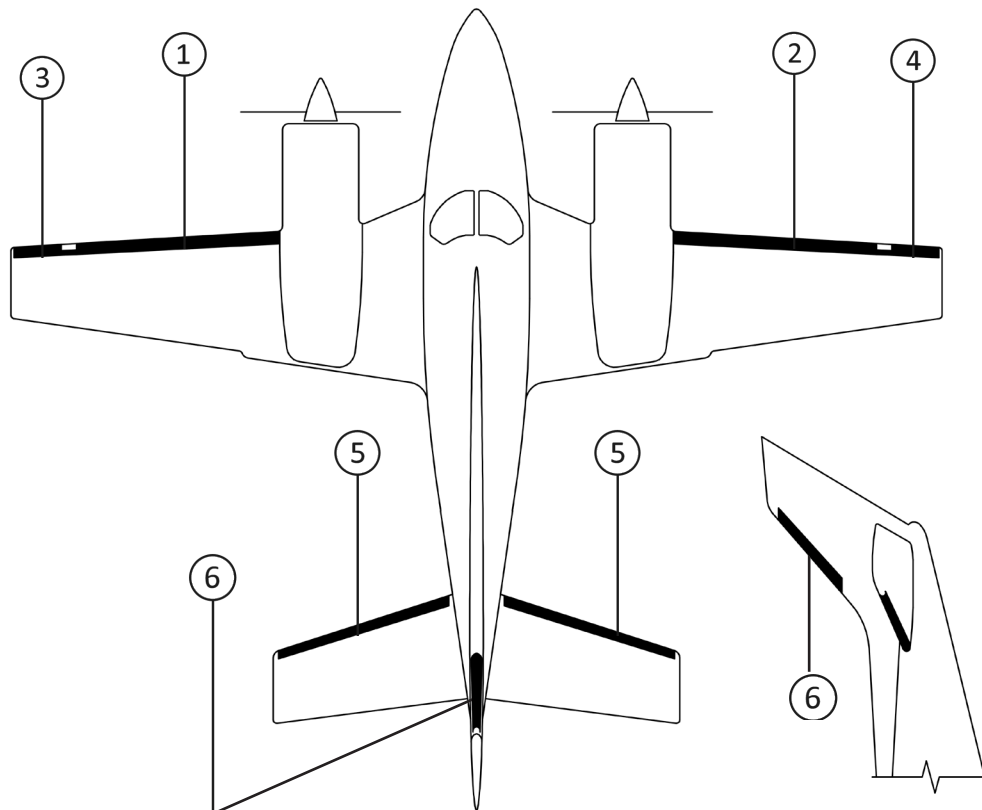
**BEECHCRAFT 65-A90-1 (KING AIR)**

**STANDARD DE-ICE BOOTS**

POSITION ID	GOODRICH PART NUMBER	AIRCRAFT OEM P/N	DESCRIPTION	QTY PER AIRCRAFT	WT
1	23S-2014-11-1	50-380139-1	BREAK-LIGHT LH DE-ICE BOOT	1	6.6
2	23S-2014-11-2	50-380139-2	BREAK-LIGHT RH DE-ICE BOOT	1	6.6
3	23S-2014-12-1	50-380139-5	LIGHT-TIP LH DE-ICE BOOT	1	1.2
4	23S-2014-12-2	50-380139-6	LIGHT-TIP RH DE-ICE BOOT	1	1.2
5	23S-2014-9-1	50-380139-4	HORIZONTAL STABILIZER LH/RH DE-ICE BOOT	2	2.9
6	23S-2014-10-1	50-380139-3	VERTICAL STABILIZER DE-ICE BOOT	1	2.1

**OPTIONAL STANDARD DE-ICE BOOTS**

POSITION ID	GOODRICH PART NUMBER	AIRCRAFT OEM P/N	DESCRIPTION	QTY PER AIRCRAFT	WT
3	23S-2014-22-1		LIGHT-TIP LH DE-ICE BOOT (WITH TWO ANTENNA CUTOUTS)	1	1.0
3	23S-2014-23-1		LIGHT-TIP LH DE-ICE BOOT	1	0.8
4	23S-2014-22-2		LIGHT-TIP RH DE-ICE BOOT (WITH TWO ANTENNA CUTOUTS)	1	1.0
4	23S-2014-23-2		LIGHT-TIP RH DE-ICE BOOT	1	0.8



**BEECHCRAFT 65-A90-1 (KING AIR)**

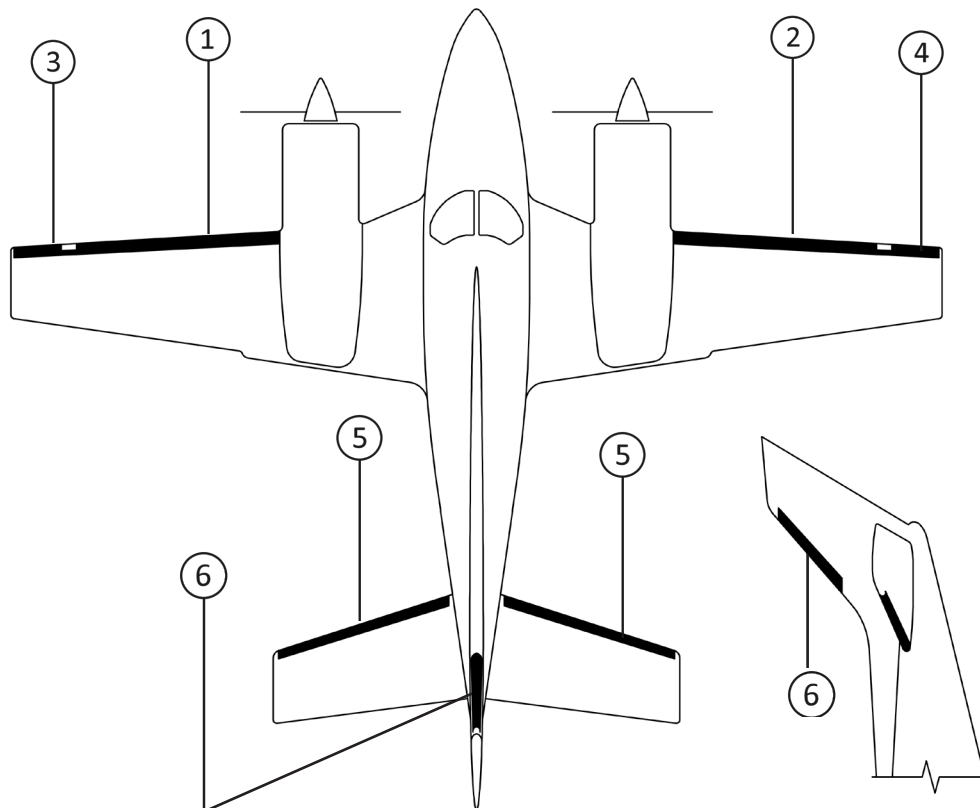
**BEECHCRAFT 65-A90-2 (KING AIR)**
**STANDARD DE-ICE BOOTS**

POSITION ID	GOODRICH PART NUMBER	AIRCRAFT OEM P/N	DESCRIPTION	QTY PER AIRCRAFT	WT
1	23S-2014-11-1*	50-380139-1	BREAK-LIGHT LH DE-ICE BOOT	1	6.6
2	23S-2014-13-1	50-380139-11	BREAK-LIGHT LH DE-ICE BOOT	1	6.6
3	23S-2014-11-2*	50-380139-2	BREAK-LIGHT RH DE-ICE BOOT	1	6.6
4	23S-2014-13-2	50-380139-12	BREAK-LIGHT RH DE-ICE BOOT	1	6.6
5	23S-2014-9-1	50-380139-4	HORIZONTAL STABILIZER LH/RH DE-ICE BOOT	2	2.9
6	23S-2014-10-1	50-380139-3	VERTICAL STABILIZER DE-ICE BOOT	1	2.1

\*23S-2011-11-1/-2 HAVE A CUTOUT (TO BE MADE AT INSTALLATION) FOR THE PITOT MAST

**OPTIONAL STANDARD DE-ICE BOOTS**

POSITION ID	GOODRICH PART NUMBER	AIRCRAFT OEM P/N	DESCRIPTION	QTY PER AIRCRAFT	WT
3	23S-2014-22-1		LIGHT-TIP LH DE-ICE BOOT (WITH TWO ANTENNA CUTOUTS)	1	1.0
3	23S-2014-23-1		LIGHT-TIP LH DE-ICE BOOT	1	0.8
4	23S-2014-22-2		LIGHT-TIP RH DE-ICE BOOT (WITH TWO ANTENNA CUTOUTS)	1	1.0
4	23S-2014-23-2		LIGHT-TIP RH DE-ICE BOOT	1	0.8


**BEECHCRAFT 65-A90-2 (KING AIR)**

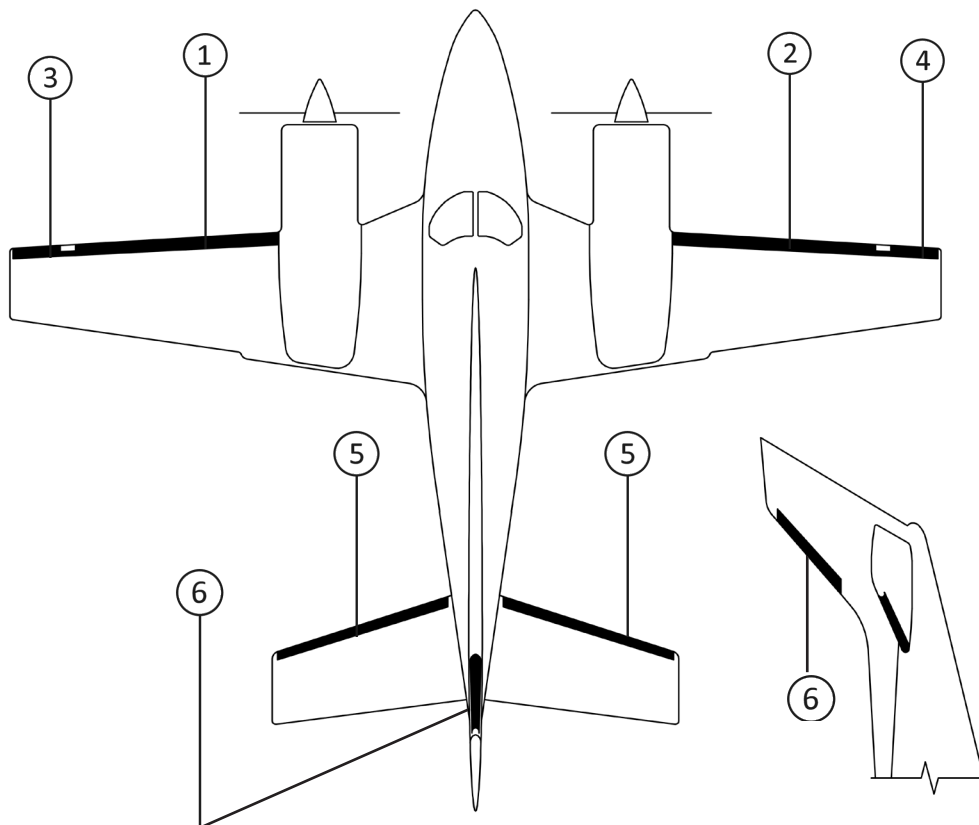
**BEECHCRAFT 65-A90-3 (KING AIR)**
**STANDARD DE-ICE BOOTS**

POSITION ID	GOODRICH PART NUMBER	AIRCRAFT OEM P/N	DESCRIPTION	QTY PER AIRCRAFT	WT
1	23S-2014-13-1	50-380139-11	BREAK-LIGHT LH DE-ICE BOOT	1	6.6
2	23S-2014-13-2	50-380139-12	BREAK-LIGHT RH DE-ICE BOOT	1	6.6
5	23S-2014-9-1	50-380139-4	HORIZONTAL STABILIZER LH/RH DE-ICE BOOT	2	2.9
6	23S-2014-10-1	50-380139-3	VERTICAL STABILIZER DE-ICE BOOT	1	2.1

**OPTIONAL STANDARD DE-ICE BOOTS**

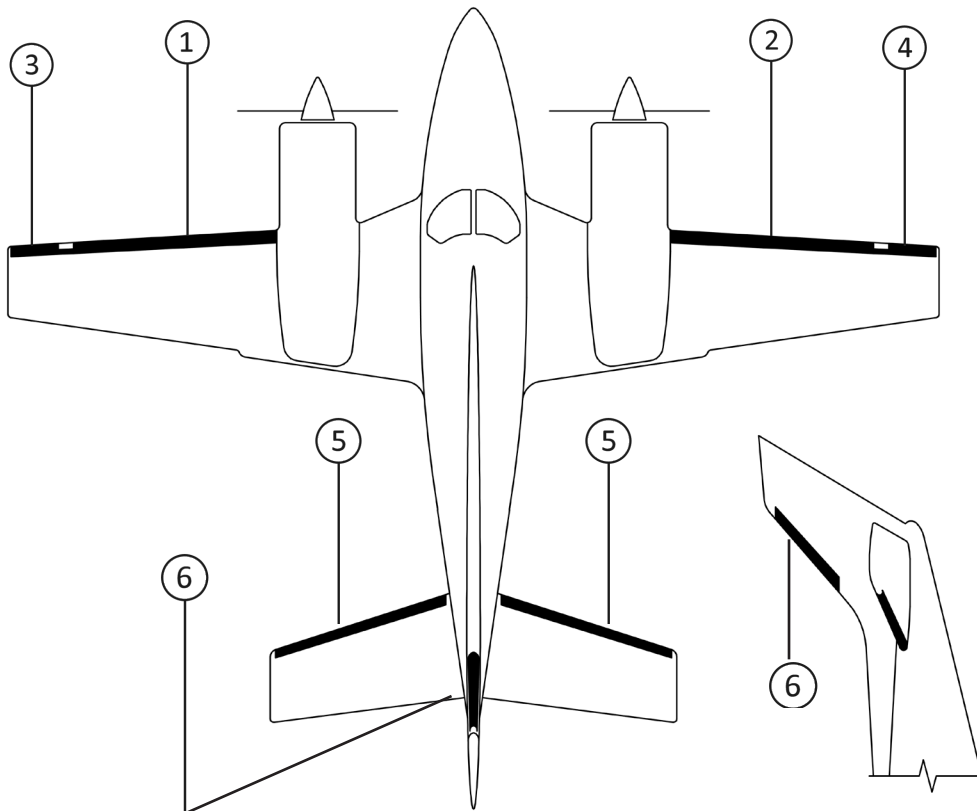
POSITION ID	GOODRICH PART NUMBER	AIRCRAFT OEM P/N	DESCRIPTION	QTY PER AIRCRAFT	WT
1	23S-2014-11-1*	50-380139-1	BREAK-LIGHT LH DE-ICE BOOT	1	6.6
2	23S-2014-11-2*	50-380139-2	BREAK-LIGHT RH DE-ICE BOOT	1	6.6
3	23S-2014-22-1		LIGHT-TIP LH DE-ICE BOOT (WITH TWO ANTENNA CUTOUTS)	1	1.0
3	23S-2014-23-1		LIGHT-TIP LH DE-ICE BOOT	1	0.8
4	23S-2014-22-2		LIGHT-TIP RH DE-ICE BOOT (WITH TWO ANTENNA CUTOUTS)	1	1.0
4	23S-2014-23-2		LIGHT-TIP RH DE-ICE BOOT	1	0.8

\*23S-2011-11-1/-2 HAVE A CUTOUT (TO BE MADE AT INSTALLATION) FOR THE PITOT MAST


**BEECHCRAFT 65-A90-3 (KING AIR)**

**BEECHCRAFT 65-A90-4 (KING AIR)**
**STANDARD DE-ICE BOOTS**

POSITION ID	GOODRICH PART NUMBER	AIRCRAFT OEM P/N	DESCRIPTION	QTY PER AIRCRAFT	WT
1	23S-2014-11-1	50-380139-1	BREAK-LIGHT LH DE-ICE BOOT	1	6.6
2	23S-2014-11-2	50-380139-2	BREAK-LIGHT RH DE-ICE BOOT	1	6.6
3	23S-2014-22-1		LIGHT-TIP LH DE-ICE BOOT (WITH TWO ANTENNA CUTOUTS)	1	1.0
3	23S-2014-23-1		LIGHT-TIP LH DE-ICE BOOT	1	0.8
4	23S-2014-22-2		LIGHT-TIP RH DE-ICE BOOT (WITH TWO ANTENNA CUTOUTS)	1	1.0
4	23S-2014-23-2		LIGHT-TIP RH DE-ICE BOOT	1	0.8
5	23S-2014-9-1	50-380139-4	HORIZONTAL STABILIZER LH/RH DE-ICE BOOT	2	2.9
6	23S-2014-10-1	50-380139-3	VERTICAL STABILIZER DE-ICE BOOT	1	2.1

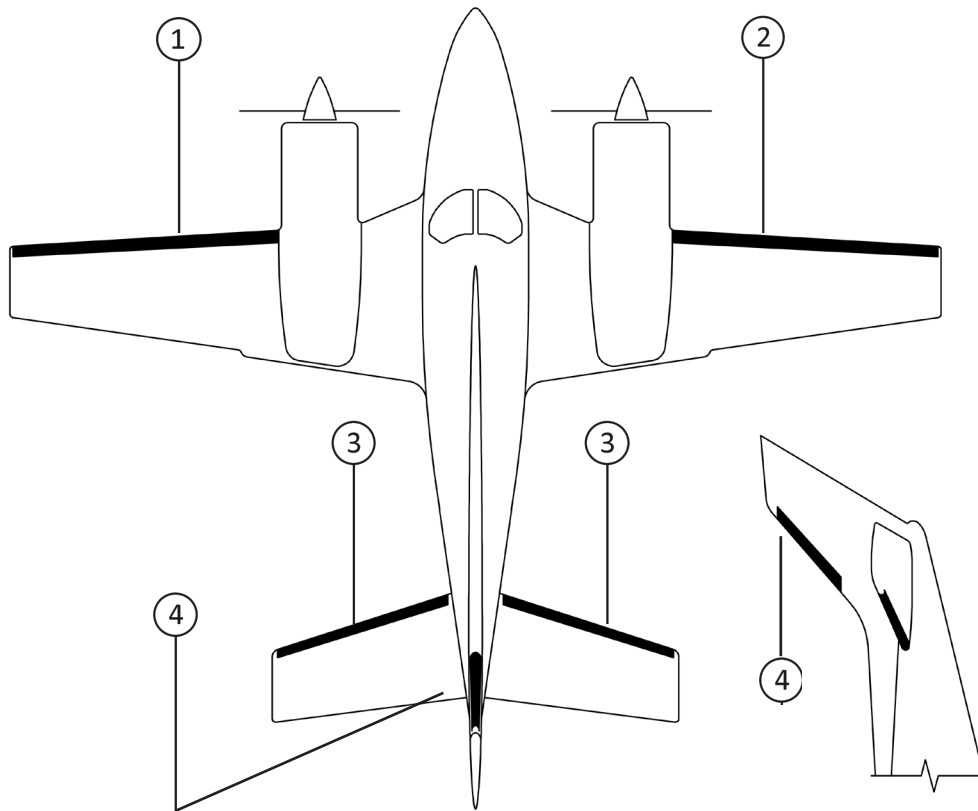
**BEECHCRAFT 65-A90-4 (KING AIR)**


**BEECHCRAFT 70 (QUEEN AIR)**

**STANDARD DE-ICE BOOTS**

POSITION ID	GOODRICH PART NUMBER	AIRCRAFT OEM P/N	DESCRIPTION	QTY PER AIRCRAFT	WT
1	23S-2014-11-1	50-380139-1	BREAK-LIGHT LH DE-ICE BOOT	1	6.6
2	23S-2014-11-2	50-380139-2	BREAK-LIGHT RH DE-ICE BOOT	1	6.6
3	23S-2014-9-1	50-380139-4	HORIZONTAL STABILIZER LH/RH DE-ICE BOOT	2	2.9
4	23S-2014-10-1	50-380139-3	VERTICAL STABILIZER DE-ICE BOOT	1	2.1

**BEECHCRAFT 70 (QUEEN AIR)**

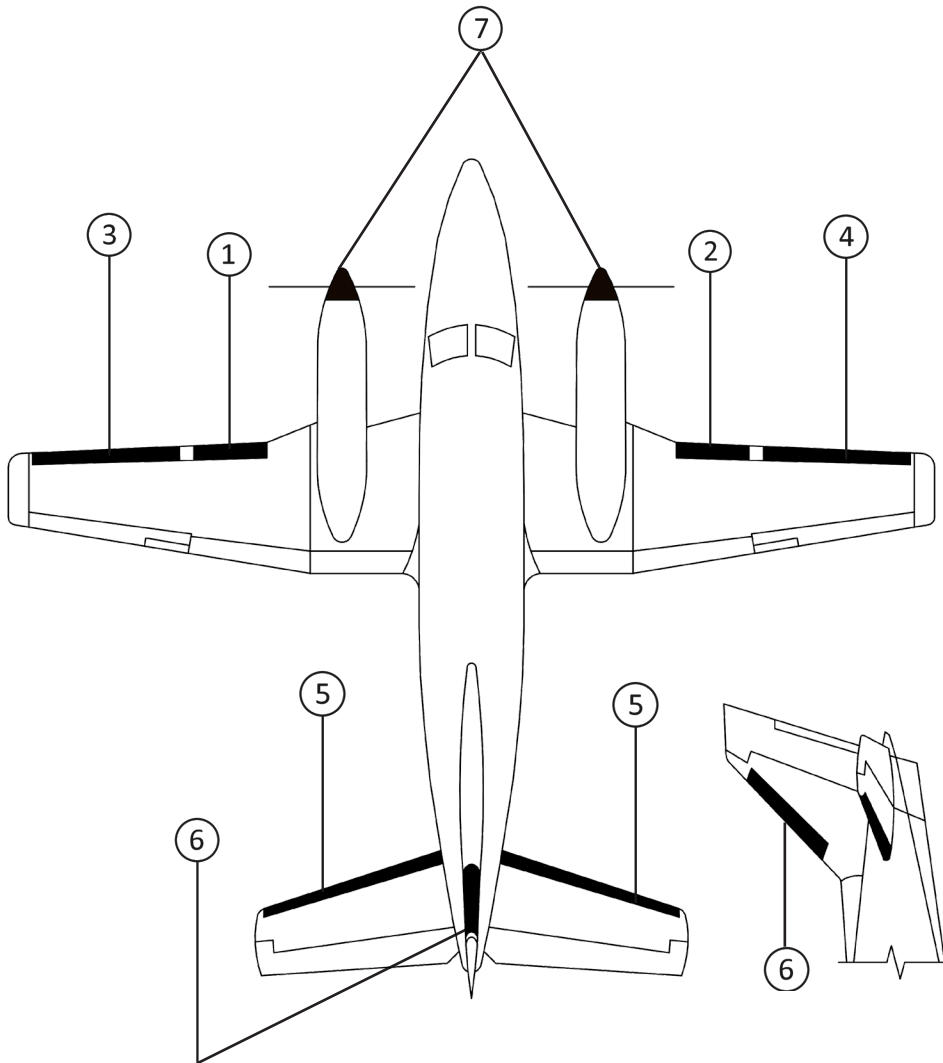


**BEECHCRAFT B90 (KING AIR) S/N LJ-318 THRU LJ-376**

**STANDARD DE-ICE BOOTS**

POSITION ID	GOODRICH PART NUMBER	AIRCRAFT OEM P/N	DESCRIPTION	QTY PER AIRCRAFT	WT
1	23S-2014-11-1	50-380139-1	BREAK-LIGHT LH DE-ICE BOOT	1	6.6
2	23S-2014-11-2	50-380139-2	BREAK-LIGHT RH DE-ICE BOOT	1	6.6
3	23S-2014-12-1*	50-380139-5	LIGHT-TIP LH DE-ICE BOOT	1	1.2
4	23S-2014-12-2*	50-380139-6	LIGHT-TIP RH DE-ICE BOOT	1	1.2
5	23S-2014-9-1	50-380139-4	HORIZONTAL STABILIZER LH/RH DE-ICE BOOT	2	2.9
6	23S-2014-10-1	50-380139-3	VERTICAL STABILIZER DE-ICE BOOT	1	2.1
7	5E1319	50-389028	ENGINE INLET ANTI-ICER	2	

\*DIMENSIONS TO AIR CONNECTION 2 5/8" FROM INBOARD END



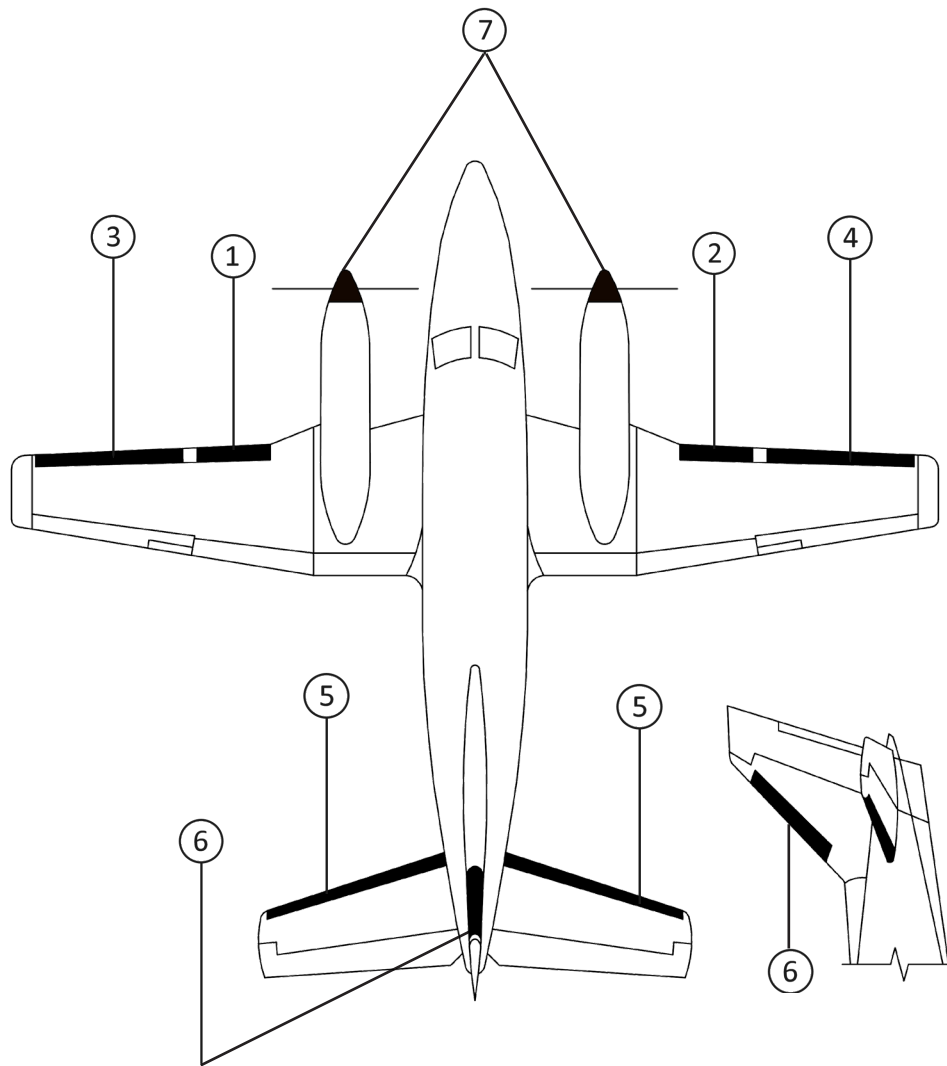
**BEECHCRAFT B90 (KING AIR) S/N LJ-318 THRU LJ-376**

**BEECHCRAFT B90 (KING AIR) S/N LJ-318 THRU LJ-501**

**STANDARD DE-ICE BOOTS**

POSITION ID	GOODRICH PART NUMBER	AIRCRAFT OEM P/N	DESCRIPTION	QTY PER AIRCRAFT	WT
1	23S-2014-11-1	50-380139-1	BREAK-LIGHT LH DE-ICE BOOT	1	6.6
2	23S-2014-11-2	50-380139-2	BREAK-LIGHT RH DE-ICE BOOT	1	6.6
3	23S-2014-15-1*	50-380139-13	LIGHT-TIP LH DE-ICE BOOT	1	1.0
4	23S-2014-15-2*	50-380139-14	LIGHT-TIP RH DE-ICE BOOT	1	1.0
5	23S-2014-9-1	50-380139-4	HORIZONTAL STABILIZER LH/RH DE-ICE BOOT	2	2.9
6	23S-2014-10-1	50-380139-3	VERTICAL STABILIZER DE-ICE BOOT	1	2.1
7	5E1319	50-389028	ENGINE INLET ANTI-ICER	2	

\*DIMENSIONS TO AIR CONNECTION 2 1/16" FROM INBOARD END



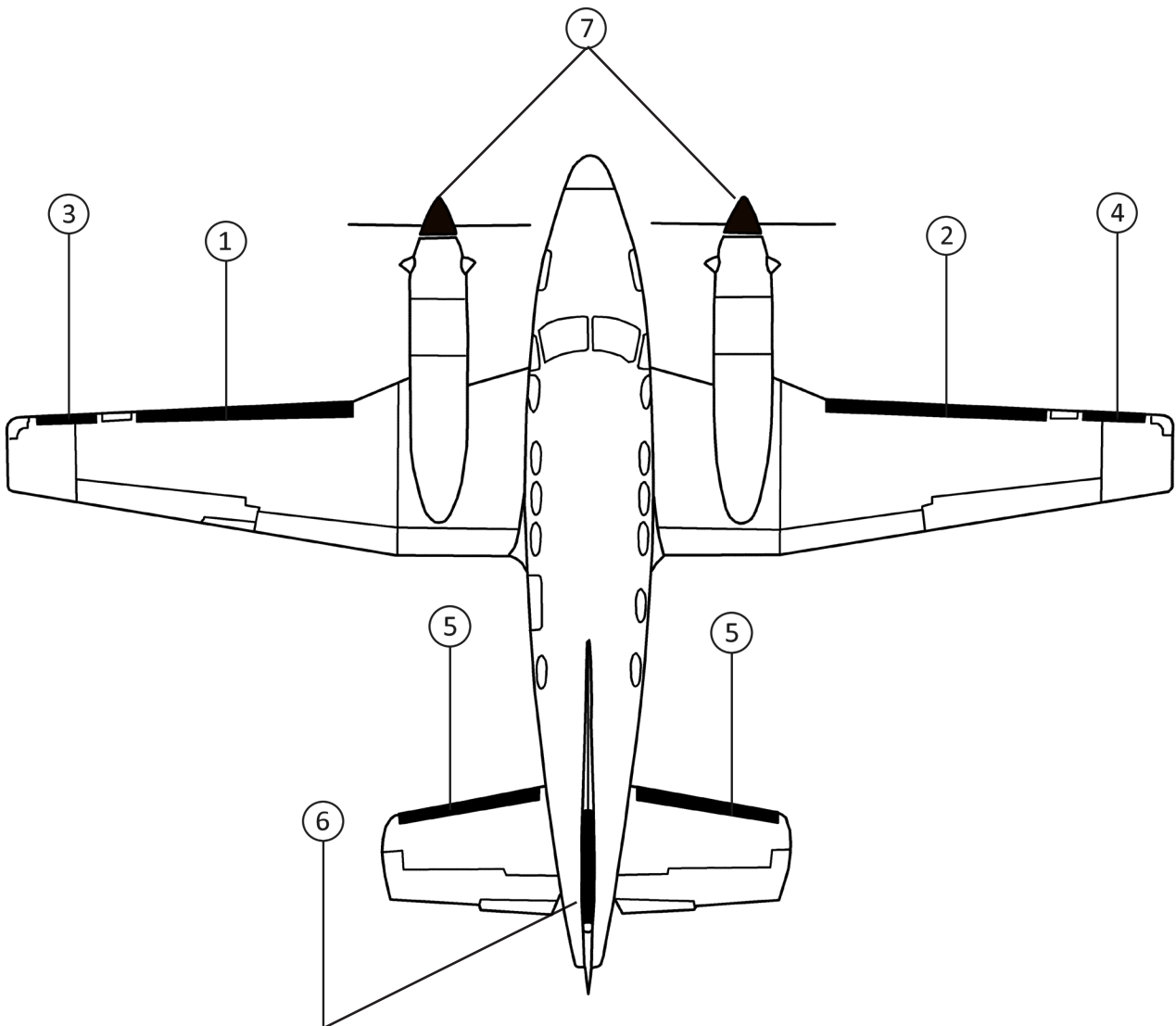
**BEECHCRAFT B90 (KING AIR) S/N LJ-318 THRU LJ-501**



**BEECHCRAFT C90 (KING AIR) S/N LJ-502 THRU LJ-577 (WITH LIGHTS)**

**STANDARD DE-ICE BOOTS**

POSITION ID	GOODRICH PART NUMBER	AIRCRAFT OEM P/N	DESCRIPTION	QTY PER AIRCRAFT	WT
1	23S-2014-11-1	50-380139-1	BREAK-LIGHT LH DE-ICE BOOT	1	6.6
2	23S-2014-11-2	50-380139-2	BREAK-LIGHT RH DE-ICE BOOT	1	6.6
3	23S-2014-15-1	50-380139-13	LIGHT-TIP LH DE-ICE BOOT	1	1.0
4	23S-2014-15-2	50-380139-14	LIGHT-TIP RH DE-ICE BOOT	1	1.0
5	23S-2014-9-1	50-380139-4	HORIZONTAL STABILIZER LH/RH DE-ICE BOOT	2	3.0
6	23S-2014-10-1	50-380139-3	VERTICAL STABILIZER DE-ICE BOOT	1	2.1
7	5E1319	50-389028	ENGINE INLET ANTI-ICER	2	

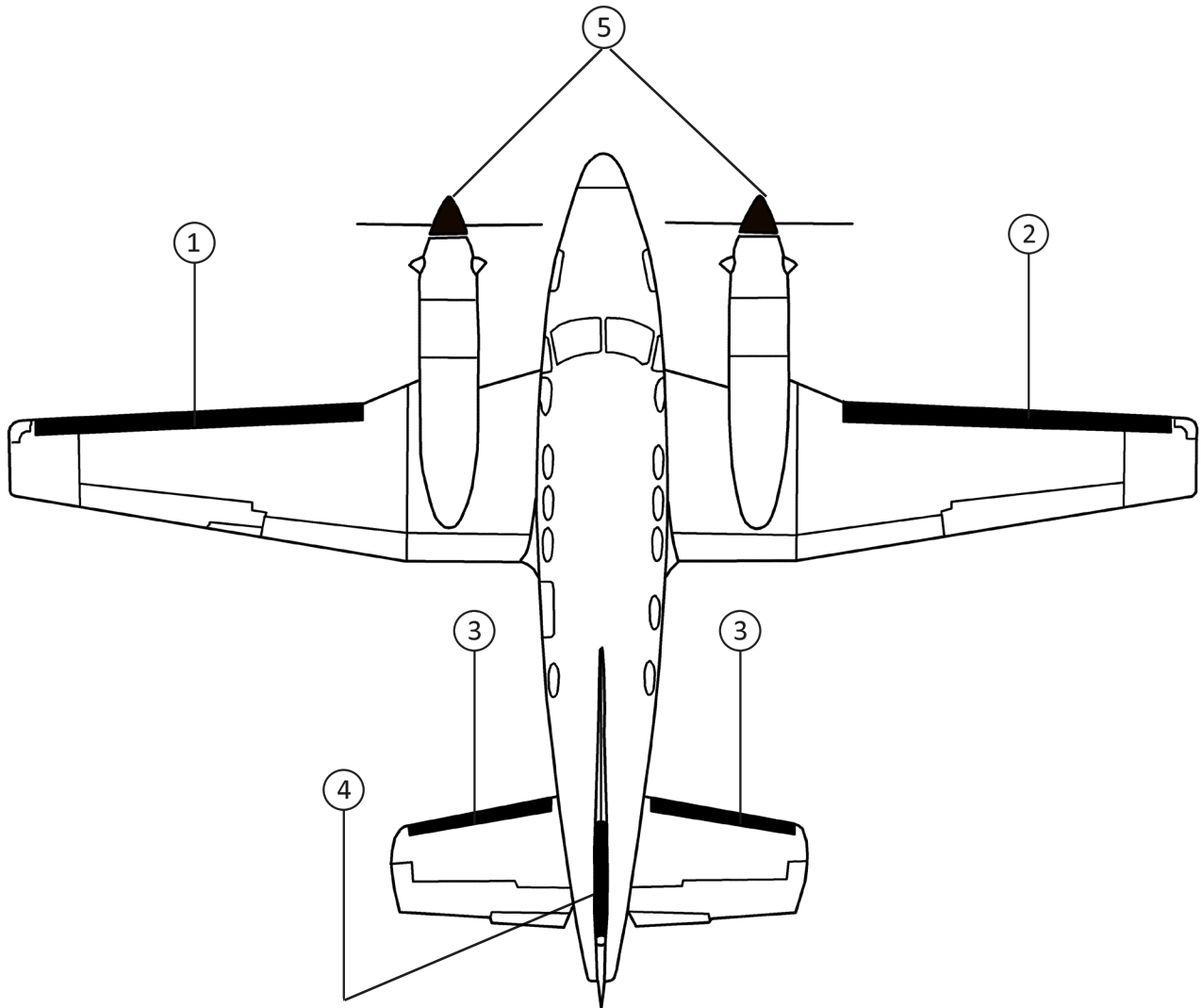


**BEECHCRAFT C90 (KING AIR) S/N LJ-502 THRU LJ-577 (WITH LIGHTS)**

**BEECHCRAFT C90 (KING AIR) S/N LJ-502 THRU LJ-624 (WITHOUT LIGHTS)**

**STANDARD DE-ICE BOOTS**

POSITION ID	GOODRICH PART NUMBER	AIRCRAFT OEM P/N	DESCRIPTION	QTY PER AIRCRAFT	WT
1	23S-2014-20-1	50-380139-15	WING LH DE-ICE BOOT	1	7.0
2	23S-2014-20-2	50-380139-16	WING RH DE-ICE BOOT	1	7.0
3	23S-2014-9-1	50-380139-4	HORIZONTAL STABILIZER LH/RH DE-ICE BOOT	2	3.0
4	23S-2014-10-1	50-380139-3	VERTICAL STABILIZER DE-ICE BOOT	1	2.1
5	5E1319	50-389028	ENGINE INLET ANTI-ICER	2	

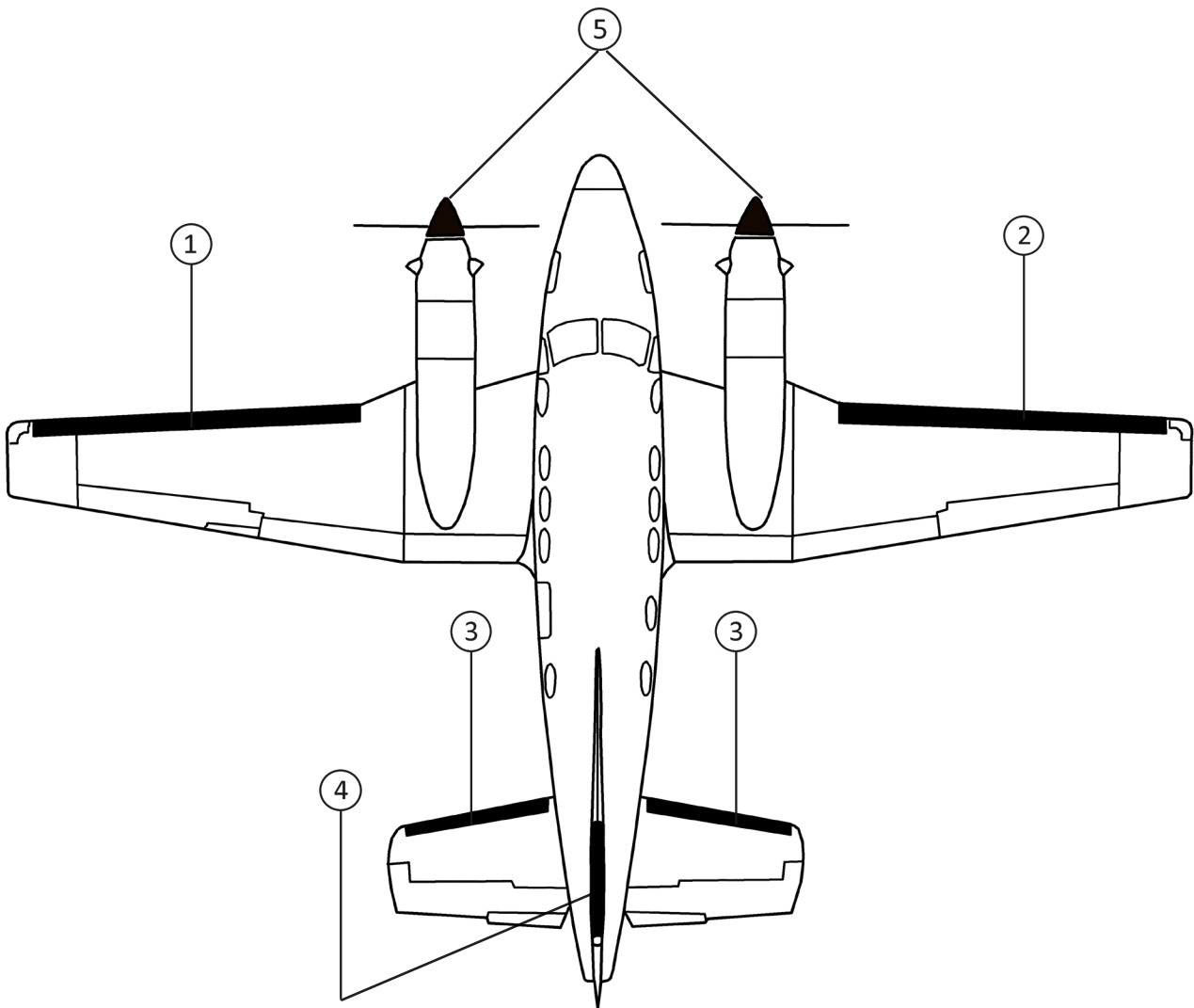


**BEECHCRAFT C90 (KING AIR) S/N LJ-502 THRU LJ-624 (WITHOUT LIGHTS)**

**BEECHCRAFT C90 (KING AIR) S/N LJ-625 THRU LJ-639**

**STANDARD DE-ICE BOOTS**

POSITION ID	GOODRICH PART NUMBER	AIRCRAFT OEM P/N	DESCRIPTION	QTY PER AIRCRAFT	WT
1	23S-2014-21-1	50-380139-17	WING LH DE-ICE BOOT	1	7.0
2	23S-2014-21-2	50-380139-18	WING RH DE-ICE BOOT	1	7.0
3	23S-2014-9-1	50-380139-4	HORIZONTAL STABILIZER LH/RH DE-ICE BOOT	2	3.0
4	23S-2014-10-1	50-380139-3	VERTICAL STABILIZER DE-ICE BOOT	1	2.1
5	5E1319	50-389028	ENGINE INLET ANTI-ICER	2	



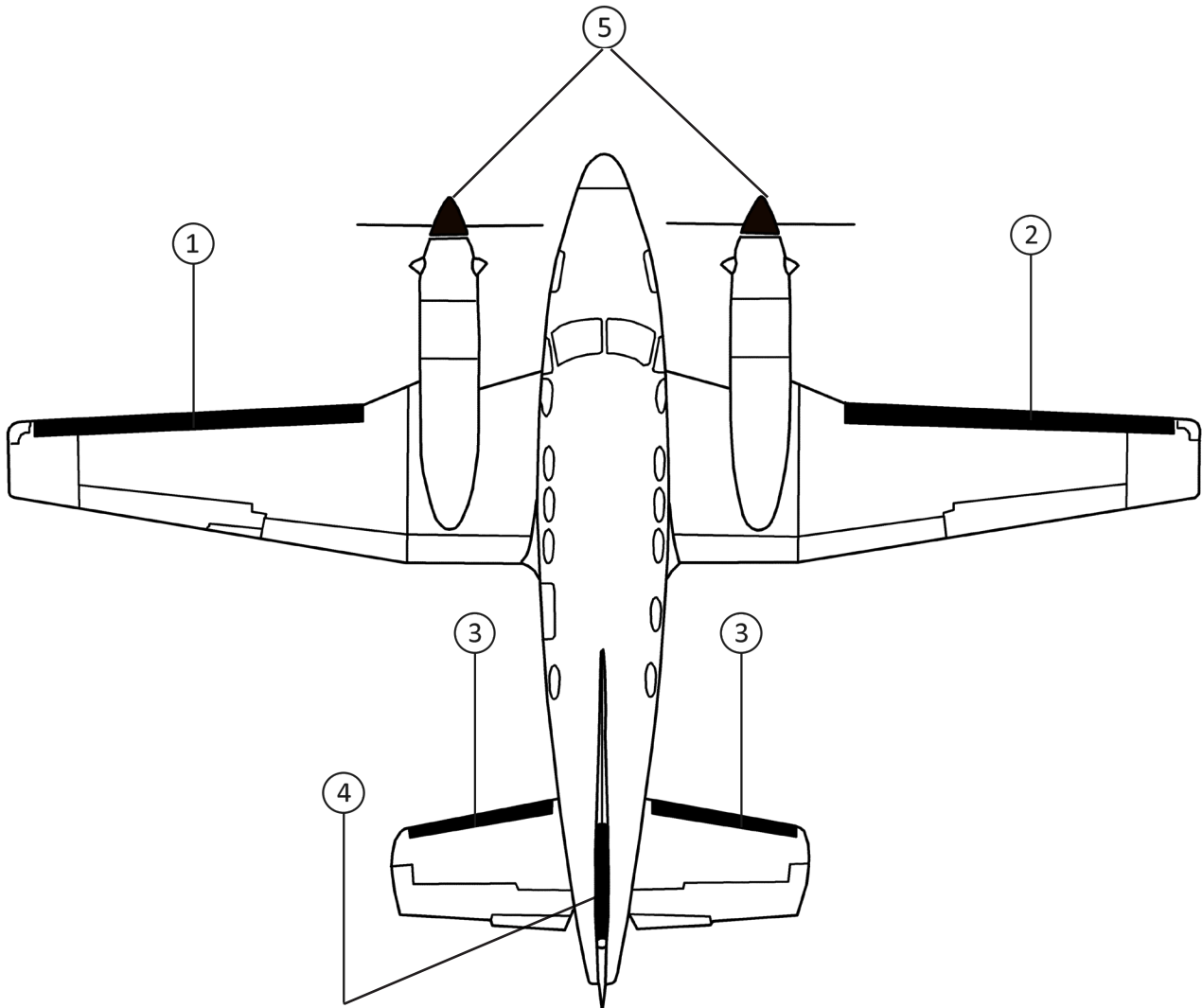
**BEECHCRAFT C90 (KING AIR) S/N LJ-625 THRU LJ-639**

**BEECHCRAFT C90 (KING AIR) S/N LJ-640 THRU LJ-658**
**STANDARD DE-ICE BOOTS**

POSITION ID	GOODRICH PART NUMBER	AIRCRAFT OEM P/N	DESCRIPTION	QTY PER AIRCRAFT	WT
1	25S-7D5064-25		WING LH DE-ICE BOOT (REPLACES 25S-7D5064-03)	1	6.0
2	25S-7D5064-26		WING RH DE-ICE BOOT (REPLACES 25S-7D5064-04)	1	6.0
3	23S-2014-9-1	50-380139-4	HORIZONTAL STABILIZER LH/RH DE-ICE BOOT	2	3.0
4	23S-2014-10-1	50-380139-3	VERTICAL STABILIZER DE-ICE BOOT	1	2.1
5	5E1319	50-389028	ENGINE INLET ANTI-ICER	2	

**FASTboot® DE-ICE BOOTS**

POSITION ID	GOODRICH PART NUMBER	AIRCRAFT OEM P/N	DESCRIPTION	QTY PER AIRCRAFT	WT
1	P25S-7D5064-25		FASTBOOT® WING LH DE-ICE BOOT (REPLACES P25S-7D5064-03)	1	6.0
2	P25S-7D5064-26		FASTBOOT® WING RH DE-ICE BOOT (REPLACES P25S-7D5064-03)	1	6.0

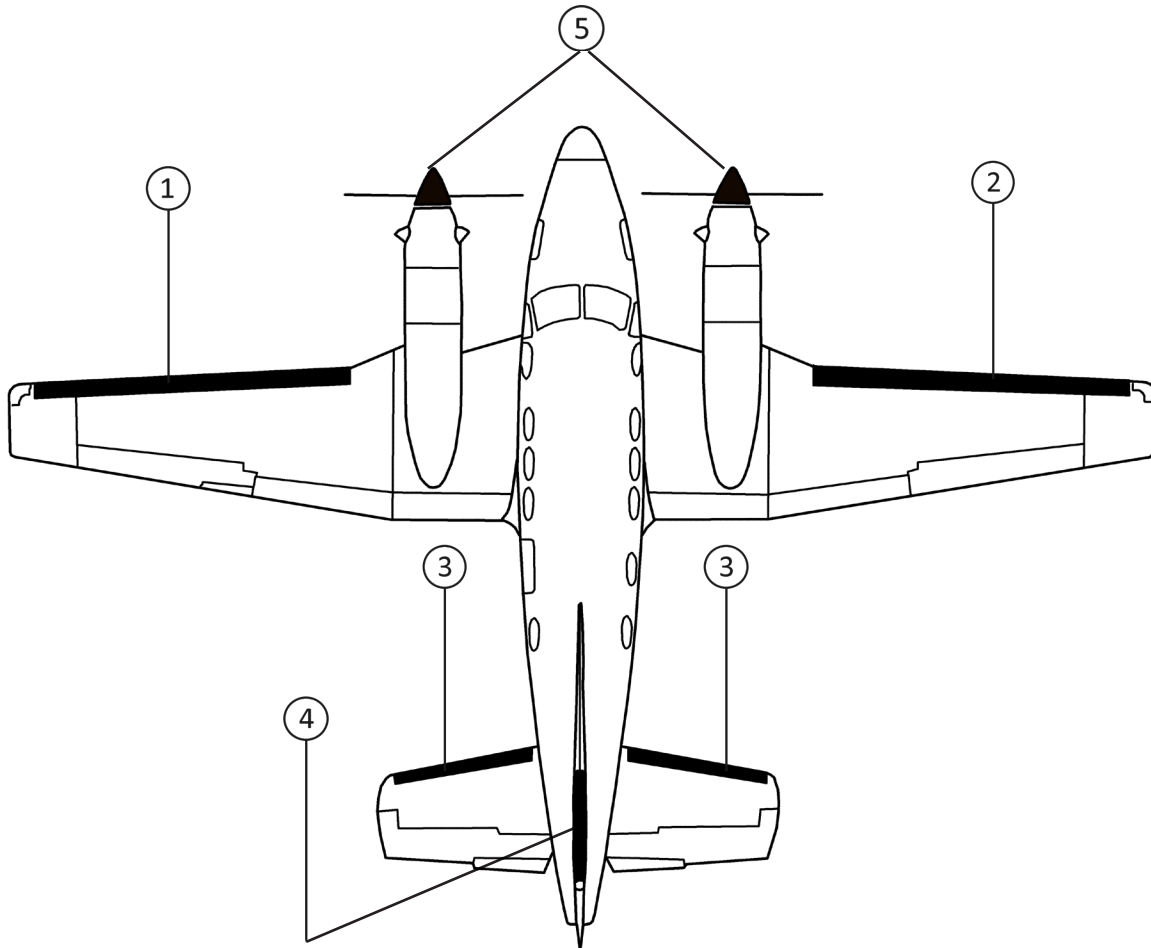

**BEECHCRAFT C90 (KING AIR) S/N LJ-640 THRU LJ-658**

**BEECHCRAFT C90 (KING AIR) S/N LJ-660 THRU LJ-1062**
**STANDARD DE-ICE BOOTS**

POSITION ID	GOODRICH PART NUMBER	AIRCRAFT OEM P/N	DESCRIPTION	QTY PER AIRCRAFT	WT
1	25S-7D5064-25		WING LH DE-ICE BOOT (REPLACES 25S-7D5064-03)	1	6.0
2	25S-7D5064-26		WING RH DE-ICE BOOT (REPLACES 25S-7D5064-04)	1	6.0
3	25S-7D5064-05		HORIZONTAL STABILIZER LH/RH DE-ICE BOOT	2	2.0
4	25S-7D5064-10		VERTICAL STABILIZER DE-ICE BOOT	1	1.5
5	5E1319	50-389028	ENGINE INLET ANTI-ICER	2	

**FASTboot® DE-ICE BOOTS**

POSITION ID	GOODRICH PART NUMBER	AIRCRAFT OEM P/N	DESCRIPTION	QTY PER AIRCRAFT	WT
1	P25S-7D5064-25		FASTBOOT® WING LH DE-ICE BOOT (REPLACES P25S-7D5064-03)	1	6.0
2	P25S-7D5064-26		FASTBOOT® WING RH DE-ICE BOOT (REPLACES P25S-7D5064-03)	1	6.0
3	P25S-7D5064-05		FASTBOOT® HORIZONTAL STABILIZER LH/RH DE-ICE BOOT	2	2.0
4	P25S-7D5064-10		FASTBOOT® VERTICAL STABILIZER DE-ICE BOOT	1	1.5


**BEECHCRAFT C90 (KING AIR) S/N LJ-660 THRU LJ-1062**

**BEECHCRAFT C90A (KING AIR)**
**STANDARD DE-ICE BOOTS**

POSITION ID	GOODRICH PART NUMBER	AIRCRAFT OEM P/N	DESCRIPTION	QTY PER AIRCRAFT	WT
1	25S-7D5064-25		WING LH DE-ICE BOOT (REPLACES 25S-7D5064-03)	1	6.0
2	25S-7D5064-26		WING RH DE-ICE BOOT (REPLACES 25S-7D5064-04)	1	6.0
3	25S-7D5064-05		HORIZONTAL STABILIZER LH/RH DE-ICE BOOT	2	2.0
4	25S-7D5064-10		VERTICAL STABILIZER DE-ICE BOOT	1	1.5

**OPTIONAL STANDARD DE-ICE BOOTS**

POSITION ID	GOODRICH PART NUMBER	AIRCRAFT OEM P/N	DESCRIPTION	QTY PER AIRCRAFT	WT
3	25S-7D5064-15*		HORIZONTAL STABILIZER LH/RH (ESTANE®) DE-ICE BOOT	2	2.4

\*ESTANE® DE-ICERS HAVE A SURFACE PLY RESISTANT TO DIESTER TYPE ENGINE OIL

**FASTboot® DE-ICE BOOTS**

POSITION ID	GOODRICH PART NUMBER	AIRCRAFT OEM P/N	DESCRIPTION	QTY PER AIRCRAFT	WT
1	P25S-7D5064-25		FASTBOOT® WING LH DE-ICE BOOT (REPLACES P25S-7D5064-03)	1	6.0
2	P25S-7D5064-26		FASTBOOT® WING RH DE-ICE BOOT (REPLACES P25S-7D5064-03)	1	6.0
3	P25S-7D5064-05		FASTBOOT® HORIZONTAL STABILIZER LH/RH DE-ICE BOOT	2	2.0
4	P25S-7D5064-10		FASTBOOT® VERTICAL STABILIZER DE-ICE BOOT	1	1.5

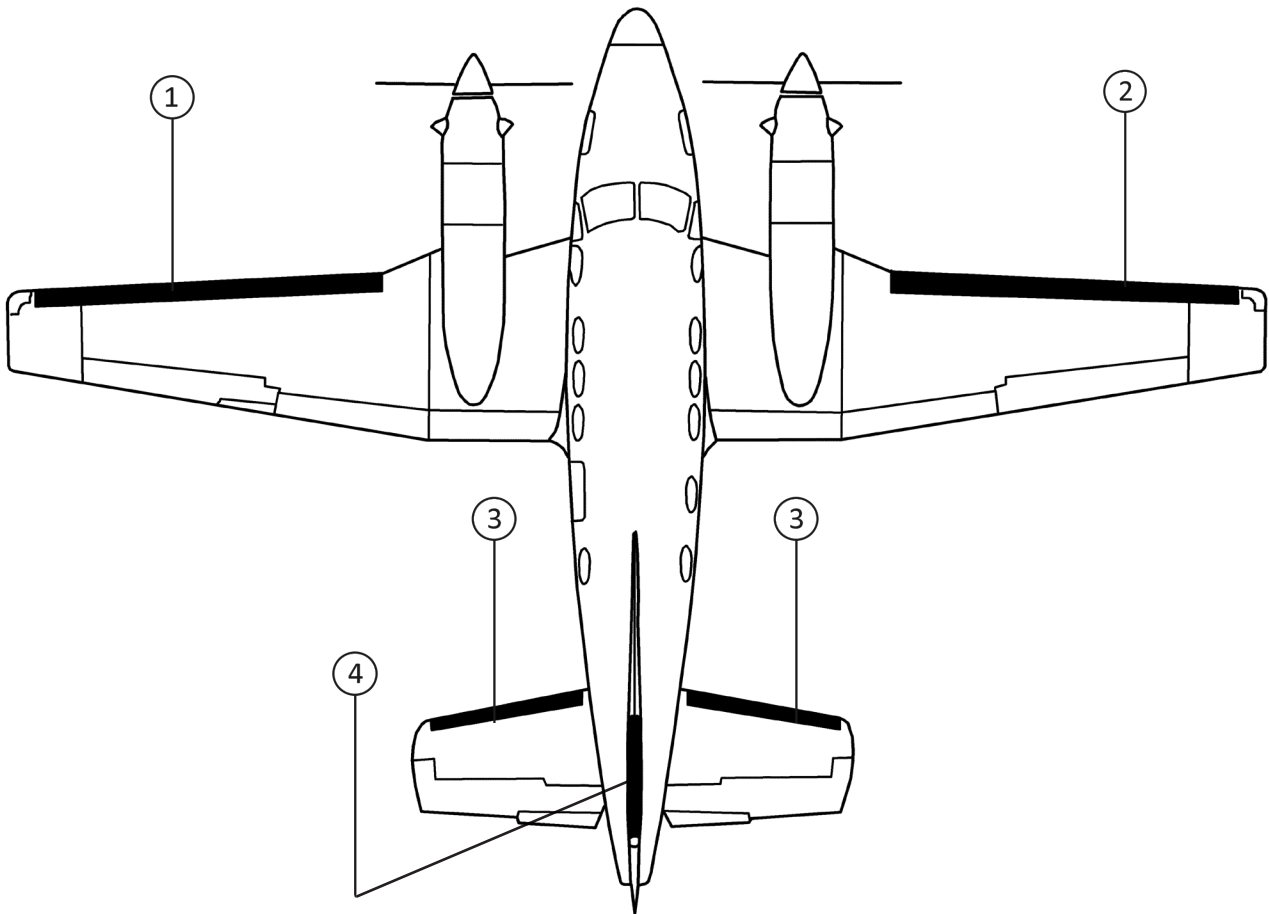
**OPTIONAL FASTboot® DE-ICE BOOTS**

POSITION ID	GOODRICH PART NUMBER	AIRCRAFT OEM P/N	DESCRIPTION	QTY PER AIRCRAFT	WT
3	P25S-7D5064-15*		FASTBOOT® HORIZONTAL STABILIZER LH/RH (ESTANE®)DE-ICE BOOT	2	2.4

**BEECHCRAFT C90A (KING AIR)**

**BEECHCRAFT C90A (KING AIR)**

**BEECHCRAFT C90A (KING AIR)**



**BEECHCRAFT C90A WITH BLR WINGLETS (KING AIR)**
**STANDARD DE-ICE BOOTS**

POSITION ID	GOODRICH PART NUMBER	AIRCRAFT OEM P/N	DESCRIPTION	QTY PER AIRCRAFT	WT
1	29S4D5064-95		WING LH DE-ICE BOOT W/ BLR WINGLETS (REPLACES SMR5041-95)	1	7.0
2	29S4D5064-96		WING RH DE-ICE BOOT W/ BLR WINGLETS (REPLACES SMR5041-96)	1	6.8
3	25S-7D5064-05		HORIZONTAL STABILIZER LH/RH DE-ICE BOOT	2	2.0
4	25S-7D5064-10		VERTICAL STABILIZER DE-ICE BOOT	1	1.5

**OPTIONAL STANDARD DE-ICE BOOTS**

POSITION ID	GOODRICH PART NUMBER	AIRCRAFT OEM P/N	DESCRIPTION	QTY PER AIRCRAFT	WT
3	25S-7D5064-15*		HORIZONTAL STABILIZER LH/RH (ESTANE®) DE-ICE BOOT	2	2.4

\*ESTANE® DE-ICERS HAVE A SURFACE PLY RESISTANT TO DIESTER TYPE ENGINE OIL

**FASTboot® DE-ICE BOOTS**

POSITION ID	GOODRICH PART NUMBER	AIRCRAFT OEM P/N	DESCRIPTION	QTY PER AIRCRAFT	WT
1	P29S4D5064-95		FASTBOOT® WING LH DE-ICE BOOT W/ BLR WINGLETS (REPLACES SMR5041-95)	1	7.0
2	P29S4D5064-96		FASTBOOT® WING RH DE-ICE BOOT W/ BLR WINGLETS (REPLACES SMR5041-96)	1	6.8
3	P25S-7D5064-05		FASTBOOT® HORIZONTAL STABILIZER LH/RH DE-ICE BOOT	2	2.0
4	P25S-7D5064-10		FASTBOOT® VERTICAL STABILIZER DE-ICE BOOT	1	1.5

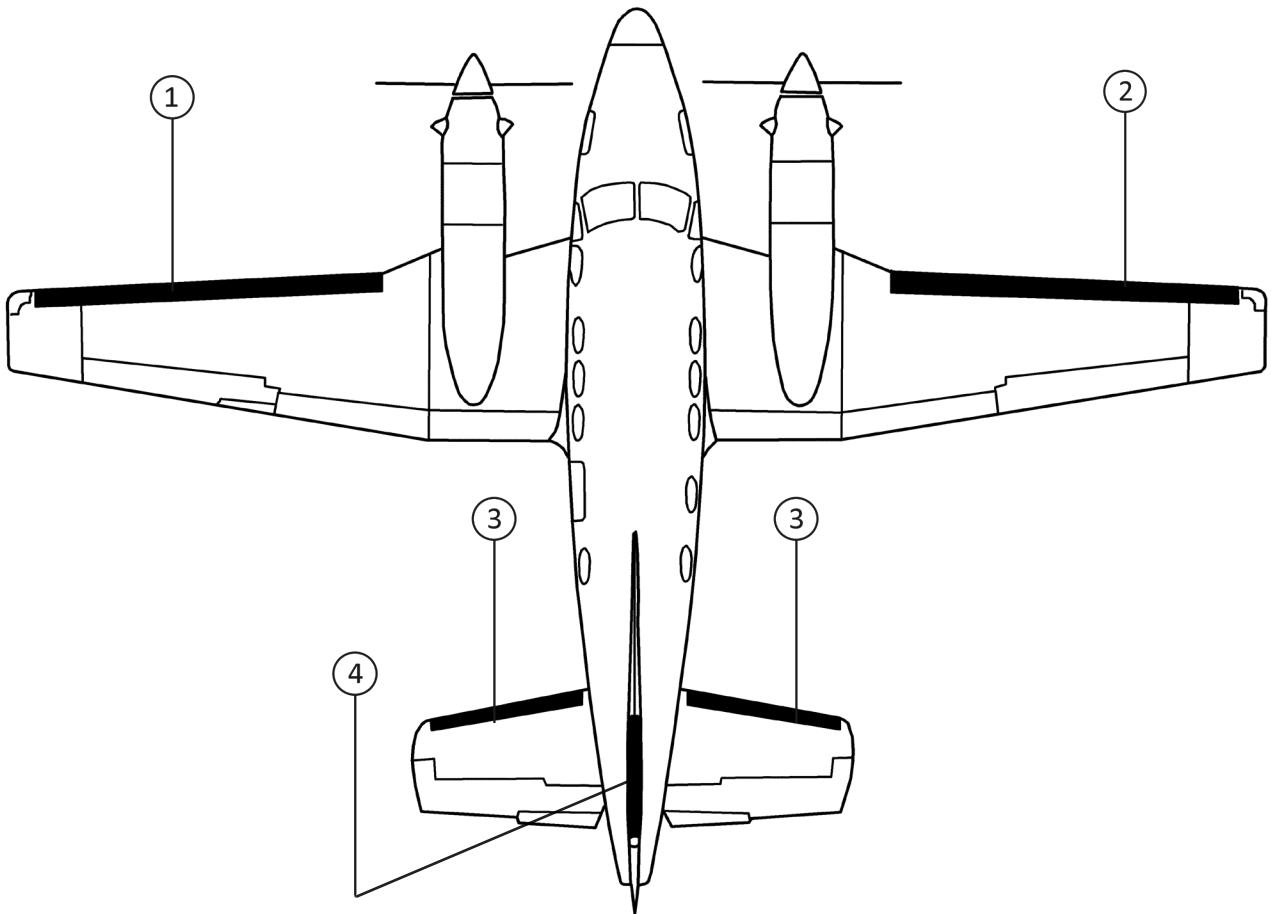
**OPTIONAL FASTboot® DE-ICE BOOTS**

POSITION ID	GOODRICH PART NUMBER	AIRCRAFT OEM P/N	DESCRIPTION	QTY PER AIRCRAFT	WT
3	P25S-7D5064-15*		FASTBOOT® HORIZONTAL STABILIZER LH/RH (ESTANE®) DE-ICE BOOT	2	2.4

**BEECHCRAFT C90A WITH BLR WINGLETS (KING AIR)**



**BEECHCRAFT C90A WITH BLR WINGLETS (KING AIR)**



**BEECHCRAFT C90A WITH BLR WINGLETS (KING AIR)**

**BEECHCRAFT C90B (KING AIR)**
**STANDARD DE-ICE BOOTS**

POSITION ID	GOODRICH PART NUMBER	AIRCRAFT OEM P/N	DESCRIPTION	QTY PER AIRCRAFT	WT
1	25S-7D5064-25		WING LH DE-ICE BOOT (REPLACES 25S-7D5064-03)	1	6.0
2	25S-7D5064-26		WING RH DE-ICE BOOT (REPLACES 25S-7D5064-04)	1	6.0
3	25S-7D5064-05		HORIZONTAL STABILIZER LH/RH DE-ICE BOOT	2	2.0
4	25S-7D5064-10		VERTICAL STABILIZER DE-ICE BOOT	1	1.5

**OPTIONAL STANDARD DE-ICE BOOTS**

POSITION ID	GOODRICH PART NUMBER	AIRCRAFT OEM P/N	DESCRIPTION	QTY PER AIRCRAFT	WT
3	25S-7D5064-15*		HORIZONTAL STABILIZER LH/RH (ESTANE®) DE-ICE BOOT	2	2.4

\*ESTANE® DE-ICERS HAVE A SURFACE PLY RESISTANT TO DIESTER TYPE ENGINE OIL

**FASTboot® DE-ICE BOOTS**

POSITION ID	GOODRICH PART NUMBER	AIRCRAFT OEM P/N	DESCRIPTION	QTY PER AIRCRAFT	WT
1	P25S-7D5064-25		FASTBOOT® WING LH DE-ICE BOOT (REPLACES P25S-7D5064-03)	1	6.0
2	P25S-7D5064-26		FASTBOOT® WING RH DE-ICE BOOT (REPLACES P25S-7D5064-03)	1	6.0
3	P25S-7D5064-05		FASTBOOT® HORIZONTAL STABILIZER LH/RH DE-ICE BOOT	2	2.0
4	P25S-7D5064-10		FASTBOOT® VERTICAL STABILIZER DE-ICE BOOT	1	1.5

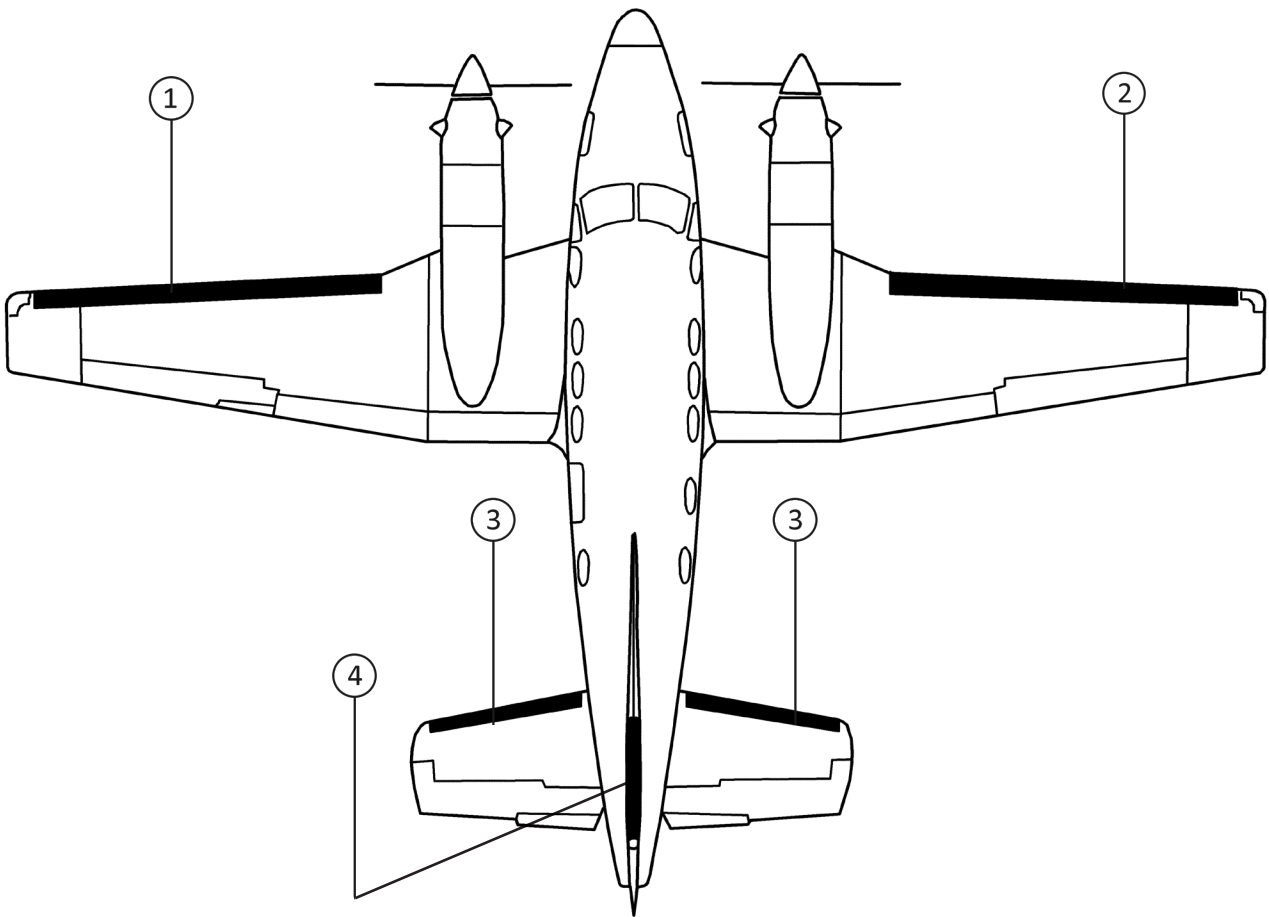
**OPTIONAL FASTboot® DE-ICE BOOTS**

POSITION ID	GOODRICH PART NUMBER	AIRCRAFT OEM P/N	DESCRIPTION	QTY PER AIRCRAFT	WT
3	P25S-7D5064-15*		FASTBOOT® HORIZONTAL STABILIZER LH/RH (ESTANE®)DE-ICE BOOT	2	2.4

**BEECHCRAFT C90B (KING AIR)**

**BEECHCRAFT C90B (KING AIR)**

**BEECHCRAFT C90B (KING AIR)**



**BEECHCRAFT C90GT (KING AIR)**
**STANDARD DE-ICE BOOTS**

POSITION ID	GOODRICH PART NUMBER	AIRCRAFT OEM P/N	DESCRIPTION	QTY PER AIRCRAFT	WT
1	25S-7D5064-25		WING LH DE-ICE BOOT (REPLACES 25S-7D5064-03)	1	6.0
2	25S-7D5064-26		WING RH DE-ICE BOOT (REPLACES 25S-7D5064-04)	1	6.0
3	25S-7D5064-05		HORIZONTAL STABILIZER LH/RH DE-ICE BOOT	2	2.0
4	25S-7D5064-10		VERTICAL STABILIZER DE-ICE BOOT	1	1.5

**OPTIONAL STANDARD DE-ICE BOOTS**

POSITION ID	GOODRICH PART NUMBER	AIRCRAFT OEM P/N	DESCRIPTION	QTY PER AIRCRAFT	WT
3	25S-7D5064-15*		HORIZONTAL STABILIZER LH/RH (ESTANE®) DE-ICE BOOT	2	2.4

\*ESTANE® DE-ICERS HAVE A SURFACE PLY RESISTANT TO DIESTER TYPE ENGINE OIL

**FASTboot® DE-ICE BOOTS**

POSITION ID	GOODRICH PART NUMBER	AIRCRAFT OEM P/N	DESCRIPTION	QTY PER AIRCRAFT	WT
1	P25S-7D5064-25		FASTBOOT® WING LH DE-ICE BOOT (REPLACES P25S-7D5064-03)	1	6.0
2	P25S-7D5064-26		FASTBOOT® WING RH DE-ICE BOOT (REPLACES P25S-7D5064-03)	1	6.0
3	P25S-7D5064-05		FASTBOOT® HORIZONTAL STABILIZER LH/RH DE-ICE BOOT	2	2.0
4	P25S-7D5064-10		FASTBOOT® VERTICAL STABILIZER DE-ICE BOOT	1	1.5

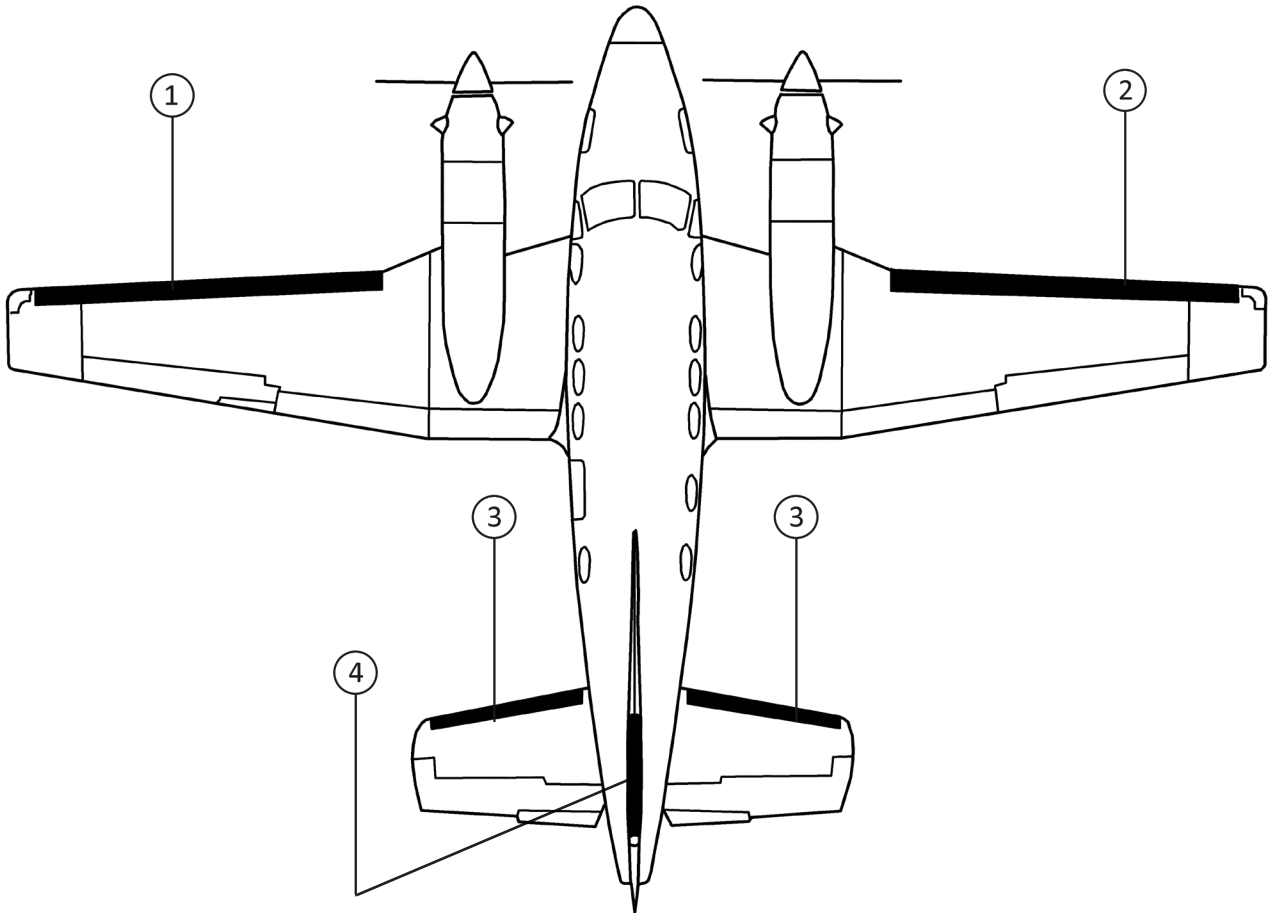
**OPTIONAL FASTboot® DE-ICE BOOTS**

POSITION ID	GOODRICH PART NUMBER	AIRCRAFT OEM P/N	DESCRIPTION	QTY PER AIRCRAFT	WT
3	P25S-7D5064-15*		FASTBOOT® HORIZONTAL STABILIZER LH/RH (ESTANE®)DE-ICE BOOT	2	2.4

**BEECHCRAFT C90GT (KING AIR)**

**BEECHCRAFT C90GT (KING AIR)**

**BEECHCRAFT C90GT (KING AIR)**



**BEECHCRAFT C90GT WITH BLR WINGLETS (KING AIR)**
**STANDARD DE-ICE BOOTS**

POSITION ID	GOODRICH PART NUMBER	AIRCRAFT OEM P/N	DESCRIPTION	QTY PER AIRCRAFT	WT
1	29S4D5064-95		WING LH DE-ICE BOOT W/ BLR WINGLETS (REPLACES SMR5041-95)	1	7.0
2	29S4D5064-96		WING RH DE-ICE BOOT W/ BLR WINGLETS (REPLACES SMR5041-96)	1	6.8
3	25S-7D5064-05		HORIZONTAL STABILIZER LH/RH DE-ICE BOOT	2	2.0
4	25S-7D5064-10		VERTICAL STABILIZER DE-ICE BOOT	1	1.5

**OPTIONAL STANDARD DE-ICE BOOTS**

POSITION ID	GOODRICH PART NUMBER	AIRCRAFT OEM P/N	DESCRIPTION	QTY PER AIRCRAFT	WT
3	25S-7D5064-15*		HORIZONTAL STABILIZER LH/RH (ESTANE®) DE-ICE BOOT	2	2.4

\*ESTANE® DE-ICERS HAVE A SURFACE PLY RESISTANT TO DIESTER TYPE ENGINE OIL

**FASTboot® DE-ICE BOOTS**

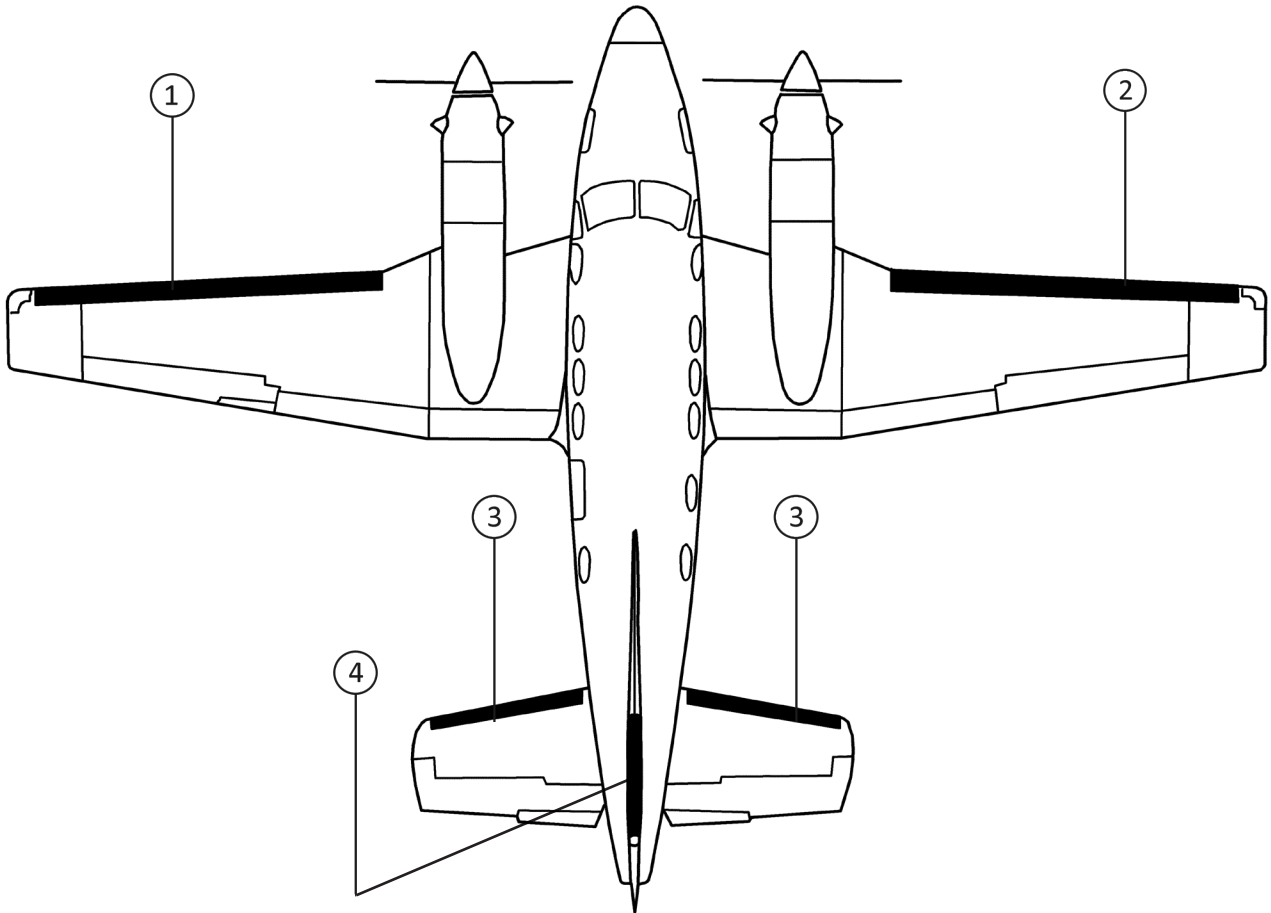
POSITION ID	GOODRICH PART NUMBER	AIRCRAFT OEM P/N	DESCRIPTION	QTY PER AIRCRAFT	WT
1	P29S4D5064-95		FASTBOOT® WING LH DE-ICE BOOT W/ BLR WINGLETS (REPLACES SMR5041-95)	1	7.0
2	P29S4D5064-96		FASTBOOT® WING RH DE-ICE BOOT W/ BLR WINGLETS (REPLACES SMR5041-96)	1	6.8
3	P25S-7D5064-05		FASTBOOT® HORIZONTAL STABILIZER LH/RH DE-ICE BOOT	2	2.0
4	P25S-7D5064-10		FASTBOOT® VERTICAL STABILIZER DE-ICE BOOT	1	1.5

**OPTIONAL FASTboot® DE-ICE BOOTS**

POSITION ID	GOODRICH PART NUMBER	AIRCRAFT OEM P/N	DESCRIPTION	QTY PER AIRCRAFT	WT
3	P25S-7D5064-15*		FASTBOOT® HORIZONTAL STABILIZER LH/RH (ESTANE®) DE-ICE BOOT	2	2.4

**BEECHCRAFT C90GT WITH BLR WINGLETS (KING AIR)**

**BEECHCRAFT C90GT WITH BLR WINGLETS (KING AIR)**



**BEECHCRAFT C90GT WITH BLR WINGLETS (KING AIR)**

**BEECHCRAFT C90GTi (KING AIR)**
**STANDARD DE-ICE BOOTS**

POSITION ID	GOODRICH PART NUMBER	AIRCRAFT OEM P/N	DESCRIPTION	QTY PER AIRCRAFT	WT
1	25S-7D5064-25		WING LH DE-ICE BOOT (REPLACES 25S-7D5064-03)	1	6.0
2	25S-7D5064-26		WING RH DE-ICE BOOT (REPLACES 25S-7D5064-04)	1	6.0
3	25S-7D5064-05		HORIZONTAL STABILIZER LH/RH DE-ICE BOOT	2	2.0
4	25S-7D5064-10		VERTICAL STABILIZER DE-ICE BOOT	1	1.5

**OPTIONAL STANDARD DE-ICE BOOTS**

POSITION ID	GOODRICH PART NUMBER	AIRCRAFT OEM P/N	DESCRIPTION	QTY PER AIRCRAFT	WT
3	25S-7D5064-15*		HORIZONTAL STABILIZER LH/RH (ESTANE®) DE-ICE BOOT	2	2.4

\*ESTANE® DE-ICERS HAVE A SURFACE PLY RESISTANT TO DIESTER TYPE ENGINE OIL

**FASTboot® DE-ICE BOOTS**

POSITION ID	GOODRICH PART NUMBER	AIRCRAFT OEM P/N	DESCRIPTION	QTY PER AIRCRAFT	WT
1	P25S-7D5064-25		FASTBOOT® WING LH DE-ICE BOOT (REPLACES P25S-7D5064-03)	1	6.0
2	P25S-7D5064-26		FASTBOOT® WING RH DE-ICE BOOT (REPLACES P25S-7D5064-03)	1	6.0
3	P25S-7D5064-05		FASTBOOT® HORIZONTAL STABILIZER LH/RH DE-ICE BOOT	2	2.0
4	P25S-7D5064-10		FASTBOOT® VERTICAL STABILIZER DE-ICE BOOT	1	1.5

**OPTIONAL FASTboot® DE-ICE BOOTS**

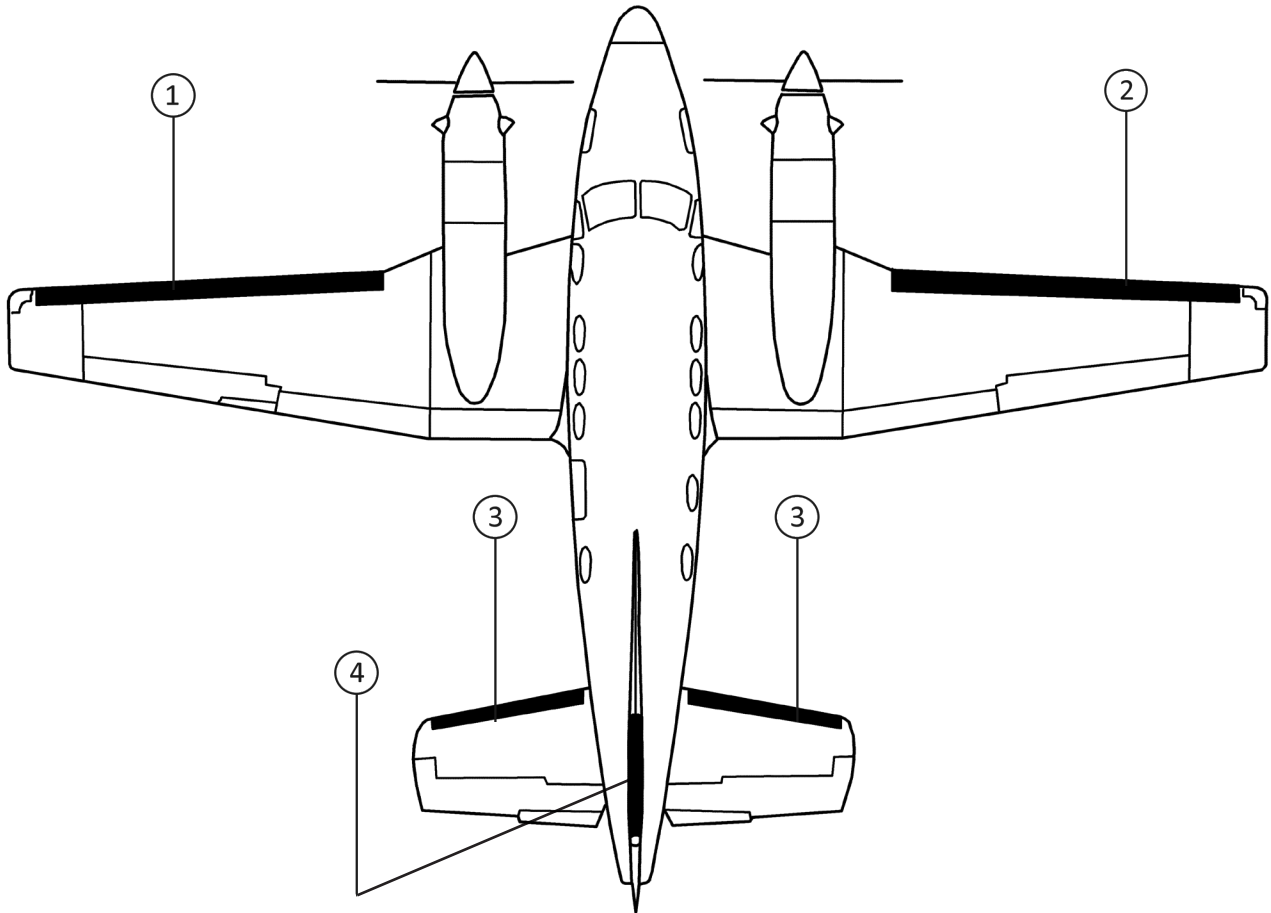
POSITION ID	GOODRICH PART NUMBER	AIRCRAFT OEM P/N	DESCRIPTION	QTY PER AIRCRAFT	WT
3	P25S-7D5064-15*		FASTBOOT® HORIZONTAL STABILIZER LH/RH (ESTANE®)DE-ICE BOOT	2	2.4

**BEECHCRAFT C90GTi (KING AIR)**



**BEECHCRAFT C90GTi (KING AIR)**

**BEECHCRAFT C90GTi (KING AIR)**



**BEECHCRAFT C90GTi WITH BLR WINGLETS (KING AIR)**
**STANDARD DE-ICE BOOTS**

POSITION ID	GOODRICH PART NUMBER	AIRCRAFT OEM P/N	DESCRIPTION	QTY PER AIRCRAFT	WT
1	29S4D5064-95		WING LH DE-ICE BOOT W/ BLR WINGLETS (REPLACES SMR5041-95)	1	7.0
2	29S4D5064-96		WING RH DE-ICE BOOT W/ BLR WINGLETS (REPLACES SMR5041-96)	1	6.8
3	25S-7D5064-05		HORIZONTAL STABILIZER LH/RH DE-ICE BOOT	2	2.0
4	25S-7D5064-10		VERTICAL STABILIZER DE-ICE BOOT	1	1.5

**OPTIONAL STANDARD DE-ICE BOOTS**

POSITION ID	GOODRICH PART NUMBER	AIRCRAFT OEM P/N	DESCRIPTION	QTY PER AIRCRAFT	WT
3	25S-7D5064-15*		HORIZONTAL STABILIZER LH/RH (ESTANE®) DE-ICE BOOT	2	2.4

\*ESTANE® DE-ICERS HAVE A SURFACE PLY RESISTANT TO DIESTER TYPE ENGINE OIL

**FASTboot® DE-ICE BOOTS**

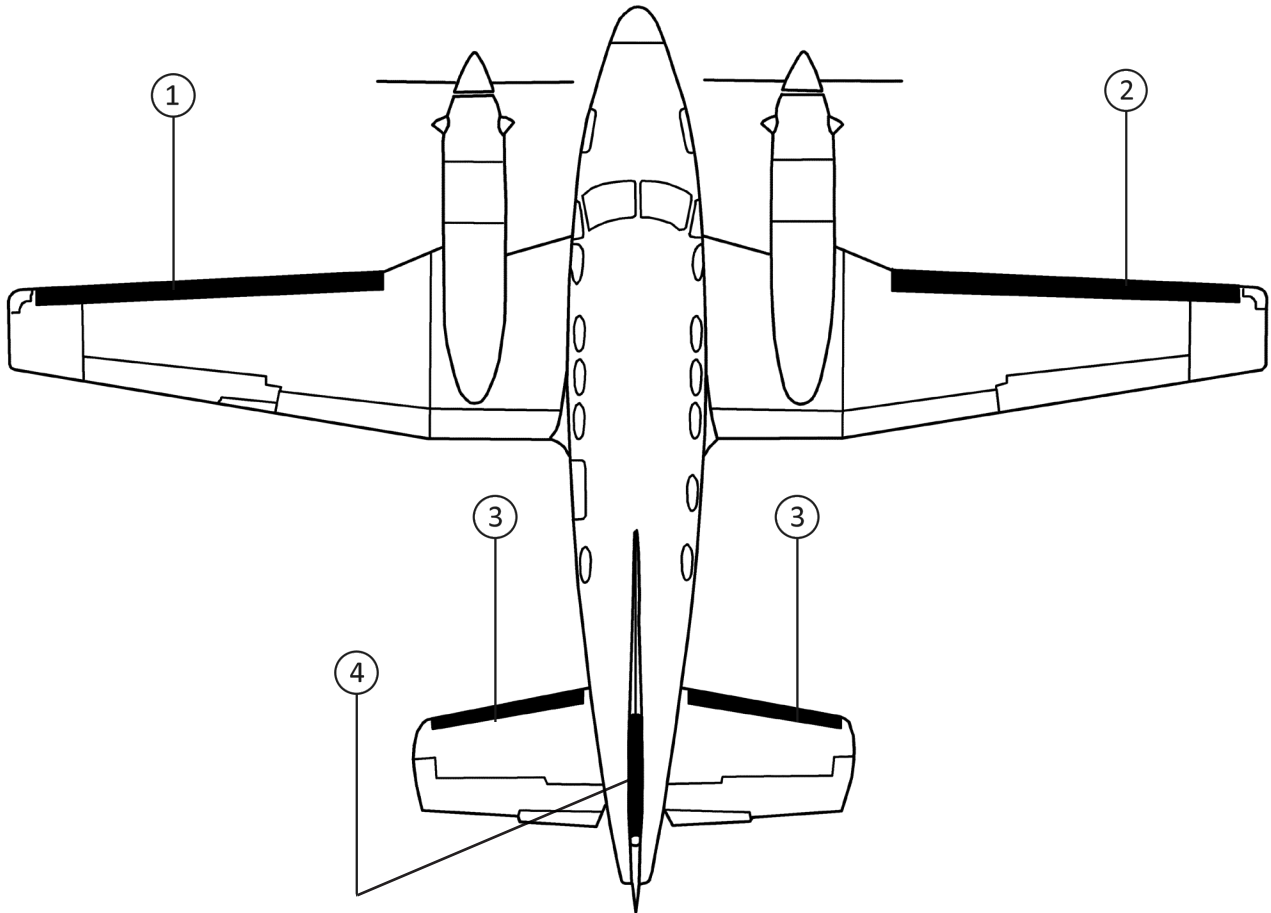
POSITION ID	GOODRICH PART NUMBER	AIRCRAFT OEM P/N	DESCRIPTION	QTY PER AIRCRAFT	WT
1	P29S4D5064-95		FASTBOOT® WING LH DE-ICE BOOT W/ BLR WINGLETS (REPLACES SMR5041-95)	1	7.0
2	P29S4D5064-96		FASTBOOT® WING RH DE-ICE BOOT W/ BLR WINGLETS (REPLACES SMR5041-96)	1	6.8
3	P25S-7D5064-05		FASTBOOT® HORIZONTAL STABILIZER LH/RH DE-ICE BOOT	2	2.0
4	P25S-7D5064-10		FASTBOOT® VERTICAL STABILIZER DE-ICE BOOT	1	1.5

**OPTIONAL FASTboot® DE-ICE BOOTS**

POSITION ID	GOODRICH PART NUMBER	AIRCRAFT OEM P/N	DESCRIPTION	QTY PER AIRCRAFT	WT
3	P25S-7D5064-15*		FASTBOOT® HORIZONTAL STABILIZER LH/RH (ESTANE®) DE-ICE BOOT	2	2.4

BEECHCRAFT C90GTi WITH BLR WINGLETS (KING AIR)

**EECHCRAFT C90GTi WITH BLR WINGLETS (KING AIR)**



**EECHCRAFT C90GTi WITH BLR WINGLETS (KING AIR)**

**BEECHCRAFT C90GTx (KING AIR)**
**STANDARD DE-ICE BOOTS**

POSITION ID	GOODRICH PART NUMBER	AIRCRAFT OEM P/N	DESCRIPTION	QTY PER AIRCRAFT	WT
1	25S-7D5064-25		WING LH DE-ICE BOOT (REPLACES 25S-7D5064-03)	1	6.0
2	25S-7D5064-26		WING RH DE-ICE BOOT (REPLACES 25S-7D5064-04)	1	6.0
3	25S-7D5064-05		HORIZONTAL STABILIZER LH/RH DE-ICE BOOT	2	2.0
4	25S-7D5064-10		VERTICAL STABILIZER DE-ICE BOOT	1	1.5

**OPTIONAL STANDARD DE-ICE BOOTS**

POSITION ID	GOODRICH PART NUMBER	AIRCRAFT OEM P/N	DESCRIPTION	QTY PER AIRCRAFT	WT
3	25S-7D5064-15*		HORIZONTAL STABILIZER LH/RH (ESTANE®) DE-ICE BOOT	2	2.4

\*ESTANE® DE-ICERS HAVE A SURFACE PLY RESISTANT TO DIESTER TYPE ENGINE OIL

**FASTboot® DE-ICE BOOTS**

POSITION ID	GOODRICH PART NUMBER	AIRCRAFT OEM P/N	DESCRIPTION	QTY PER AIRCRAFT	WT
1	P25S-7D5064-25		FASTBOOT® WING LH DE-ICE BOOT (REPLACES P25S-7D5064-03)	1	6.0
2	P25S-7D5064-26		FASTBOOT® WING RH DE-ICE BOOT (REPLACES P25S-7D5064-03)	1	6.0
3	P25S-7D5064-05		FASTBOOT® HORIZONTAL STABILIZER LH/RH DE-ICE BOOT	2	2.0
4	P25S-7D5064-10		FASTBOOT® VERTICAL STABILIZER DE-ICE BOOT	1	1.5

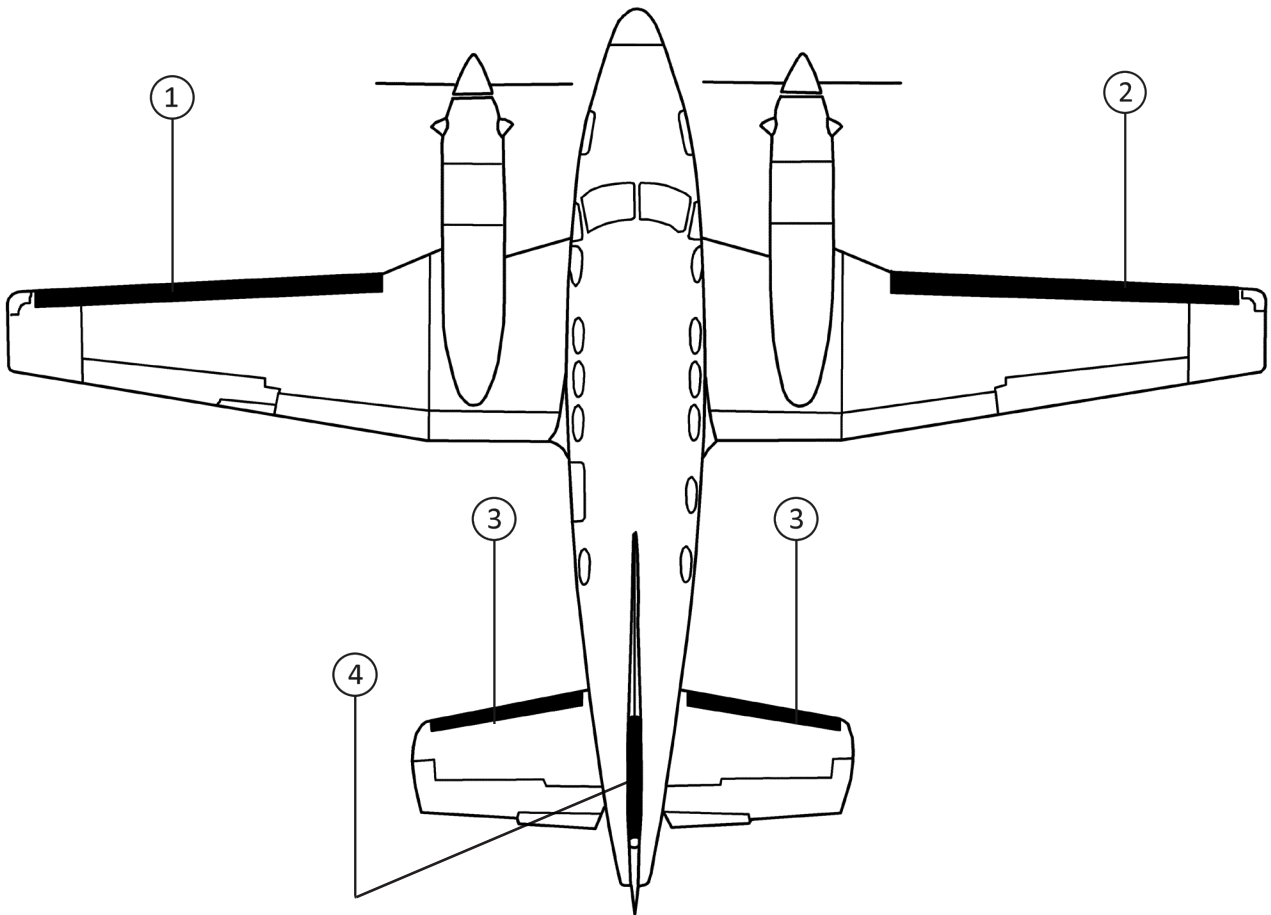
**OPTIONAL FASTboot® DE-ICE BOOTS**

POSITION ID	GOODRICH PART NUMBER	AIRCRAFT OEM P/N	DESCRIPTION	QTY PER AIRCRAFT	WT
3	P25S-7D5064-15*		FASTBOOT® HORIZONTAL STABILIZER LH/RH (ESTANE®)DE-ICE BOOT	2	2.4

**BEECHCRAFT C90GTx (KING AIR)**

**BEECHCRAFT C90GTx (KING AIR)**

**BEECHCRAFT C90GTx (KING AIR)**

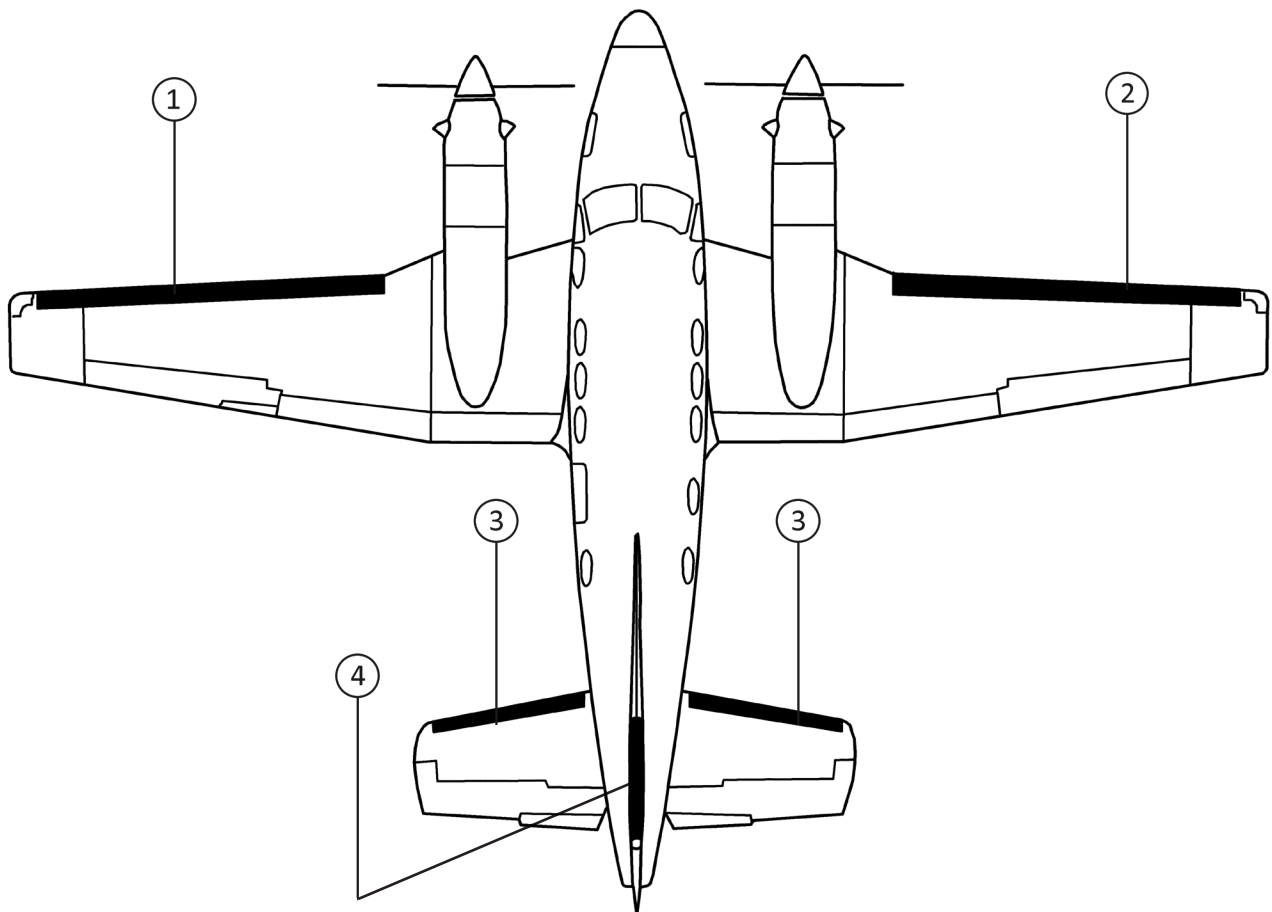


**BEECHCRAFT C90-1 (KING AIR) S/N LJ-986 THRU LJ-1062**
**STANDARD DE-ICE BOOTS**

POSITION ID	GOODRICH PART NUMBER	AIRCRAFT OEM P/N	DESCRIPTION	QTY PER AIRCRAFT	WT
1	25S-7D5064-25		WING LH DE-ICE BOOT (REPLACES 25S-7D5064-03)	1	6.0
2	25S-7D5064-26		WING RH DE-ICE BOOT (REPLACES 25S-7D5064-04)	1	6.0
3	25S-7D5064-05		HORIZONTAL STABILIZER LH/RH DE-ICE BOOT	2	2.0
4	25S-7D5064-10		VERTICAL STABILIZER DE-ICE BOOT	1	1.5

**FASTboot® DE-ICE BOOTS**

POSITION ID	GOODRICH PART NUMBER	AIRCRAFT OEM P/N	DESCRIPTION	QTY PER AIRCRAFT	WT
1	P25S-7D5064-25		FASTBOOT® WING LH DE-ICE BOOT (REPLACES P25S-7D5064-03)	1	6.0
2	P25S-7D5064-26		FASTBOOT® WING RH DE-ICE BOOT (REPLACES P25S-7D5064-03)	1	6.0
3	P25S-7D5064-05		FASTBOOT® HORIZONTAL STABILIZER LH/RH DE-ICE BOOT	2	2.0
4	P25S-7D5064-10		FASTBOOT® VERTICAL STABILIZER DE-ICE BOOT	1	1.5

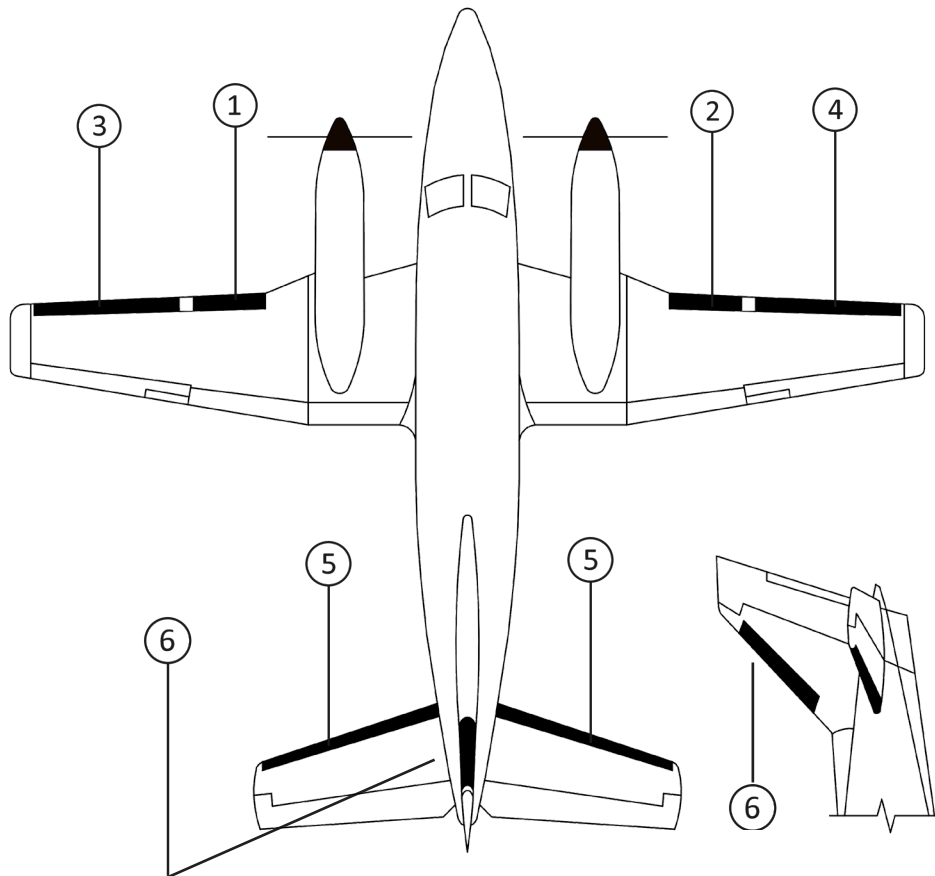

**BEECHCRAFT C90-1 (KING AIR) S/N LJ-986 THRU LJ-1062**

**BEECHCRAFT E90 (KING AIR) S/N LW-1 THRU LW-119**

**STANDARD DE-ICE BOOTS**

POSITION ID	GOODRICH PART NUMBER	AIRCRAFT OEM P/N	DESCRIPTION	QTY PER AIRCRAFT	WT
1	23S-2014-21-1	50-380139-17	BREAK-TIP LH DE-ICE BOOT	1	7.0
2	23S-2014-21-2	50-380139-18	BREAK-TIP RH DE-ICE BOOT	1	7.0
3	23S-2014-15-1	50-380139-13	LIGHT-TIP LH DE-ICE BOOT	1	1.0
4	23S-2014-15-2	50-380139-14	LIGHT-TIP RH DE-ICE BOOT	1	1.0
5	23S-2014-9-1	50-380139-4	HORIZONTAL STABILIZER LH/RH DE-ICE BOOT	2	2.9
6	23S-2014-10-1	50-380139-3	VERTICAL STABILIZER DE-ICE BOOT	1	2.1
		130421-00900*	STALL STRIP (QTY 1 REQ RH WING)		

\*ORDERED THROUGH OEM



**BEECHCRAFT E90 (KING AIR) S/N LW-1 THRU LW-119**

**BEECHCRAFT E90 (KING AIR) S/N LW-120 UP**
**STANDARD DE-ICE BOOTS**

POSITION ID	GOODRICH PART NUMBER	AIRCRAFT OEM P/N	DESCRIPTION	QTY PER AIRCRAFT	WT
1	25S-7D5064-03		WING LH DE-ICE BOOT	1	6.0
2	25S-7D5064-04		WING RH DE-ICE BOOT	1	6.0
3	25S-7D5064-05		HORIZONTAL STABILIZER LH/RH DE-ICE BOOT	2	2.0
4	25S-7D5064-10		VERTICAL STABILIZER DE-ICE BOOT	1	1.4
5	5E1319		ENGINE INLET ANTI-ICER	2	

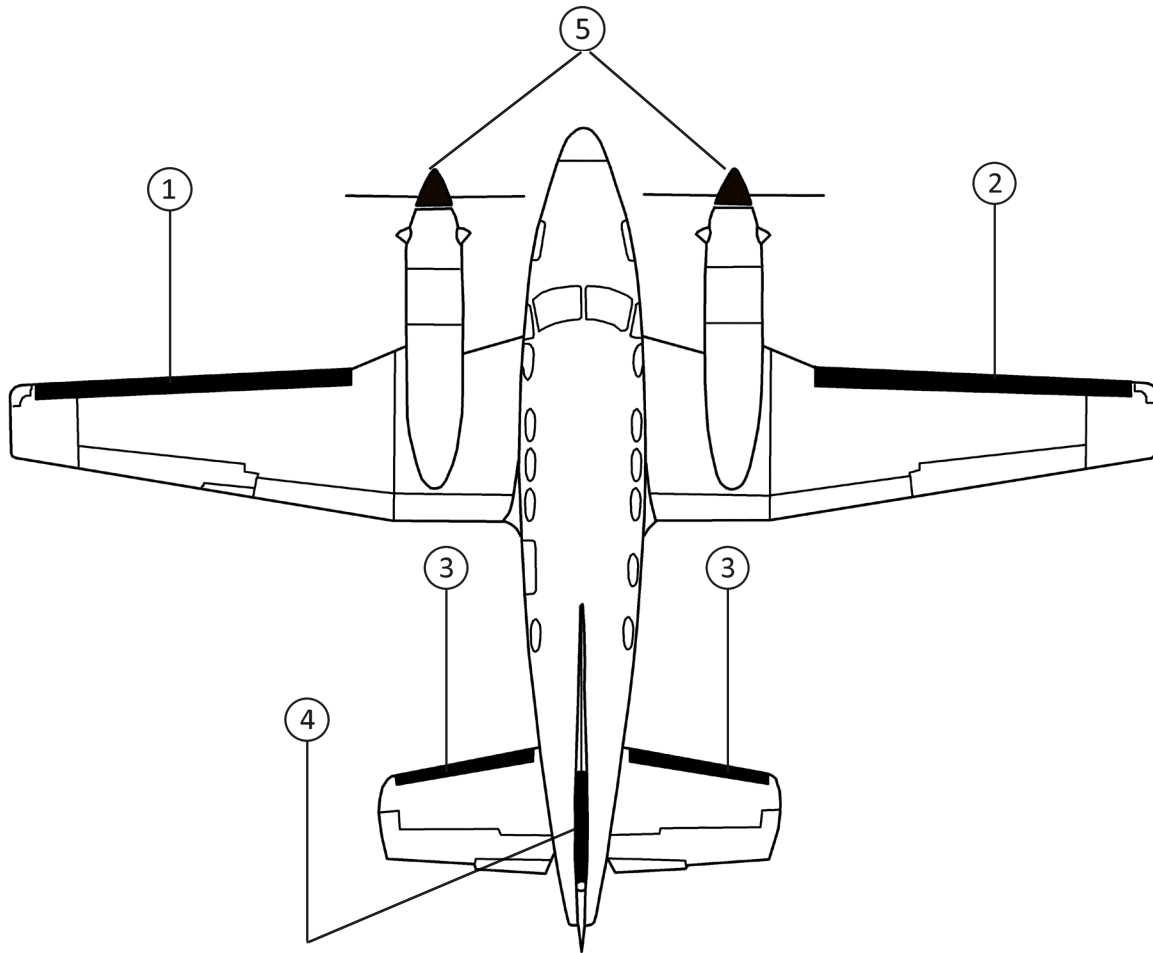
**FASTboot® DE-ICE BOOTS**

POSITION ID	GOODRICH PART NUMBER	AIRCRAFT OEM P/N	DESCRIPTION	QTY PER AIRCRAFT	WT
1	P25S-7D5064-03		FASTBOOT® WING LH DE-ICE BOOT	1	6.0
2	P25S-7D5064-04		FASTBOOT® WING RH DE-ICE BOOT	1	6.0
3	P25S-7D5064-05		FASTBOOT® HORIZONTAL STABILIZER LH/RH DE-ICE BOOT	2	2.0
4	P25S-7D5064-10		FASTBOOT® VERTICAL STABILIZER DE-ICE BOOT	1	1.4

**BEECHCRAFT E90 (KING AIR) S/N LW-120 UP**



**BEECHCRAFT E90 (KING AIR) S/N LW-120 UP**



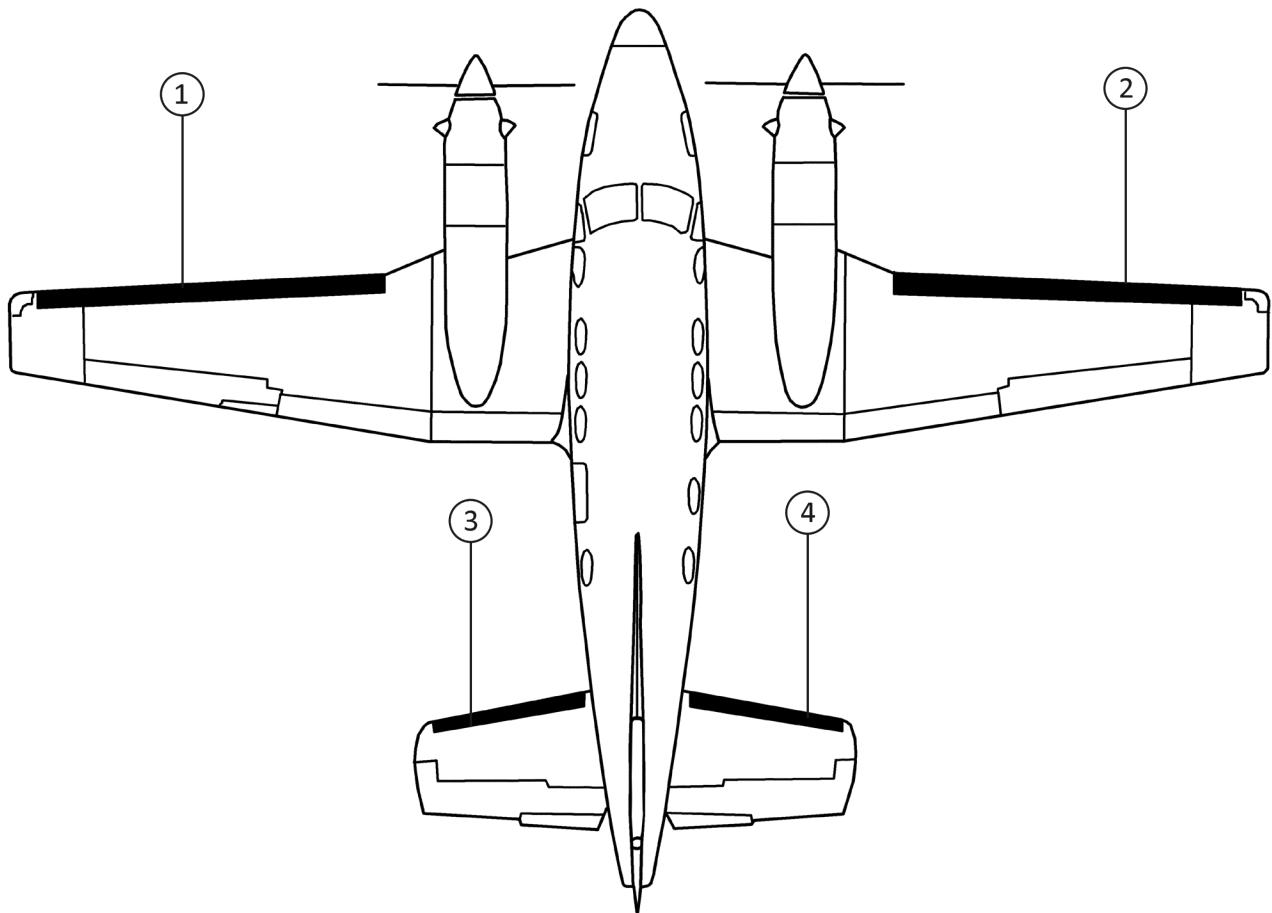
**BEECHCRAFT E90 (KING AIR) S/N LW-120 UP**

**BEECHCRAFT F90 (KING AIR)**
**STANDARD DE-ICE BOOTS**

POSITION ID	GOODRICH PART NUMBER	AIRCRAFT OEM P/N	DESCRIPTION	QTY PER AIRCRAFT	WT
1	25S-7D5064-01		WING LH DE-ICE BOOT	1	5.1
2	25S-7D5064-02		WING RH DE-ICE BOOT	1	5.1
3	25S-7D5064-17	101-380001-9	HORIZONTAL STABILIZER LH DE-ICE BOOT	1	3.6
4	25S-7D5064-18	101-380001-10	HORIZONTAL STABILIZER RH DE-ICE BOOT	1	3.6

**FASTboot® DE-ICE BOOTS**

POSITION ID	GOODRICH PART NUMBER	AIRCRAFT OEM P/N	DESCRIPTION	QTY PER AIRCRAFT	WT
1	P25S-7D5064-01		FASTBOOT® WING LH DE-ICE BOOT	1	5.1
2	P25S-7D5064-02		FASTBOOT® WING RH DE-ICE BOOT	1	5.1
3	P25S-7D5064-17		FASTBOOT® HORIZONTAL STABILIZER LH DE-ICE BOOT	1	3.6
4	P25S-7D5064-18		FASTBOOT® HORIZONTAL STABILIZER RH DE-ICE BOOT	1	3.6

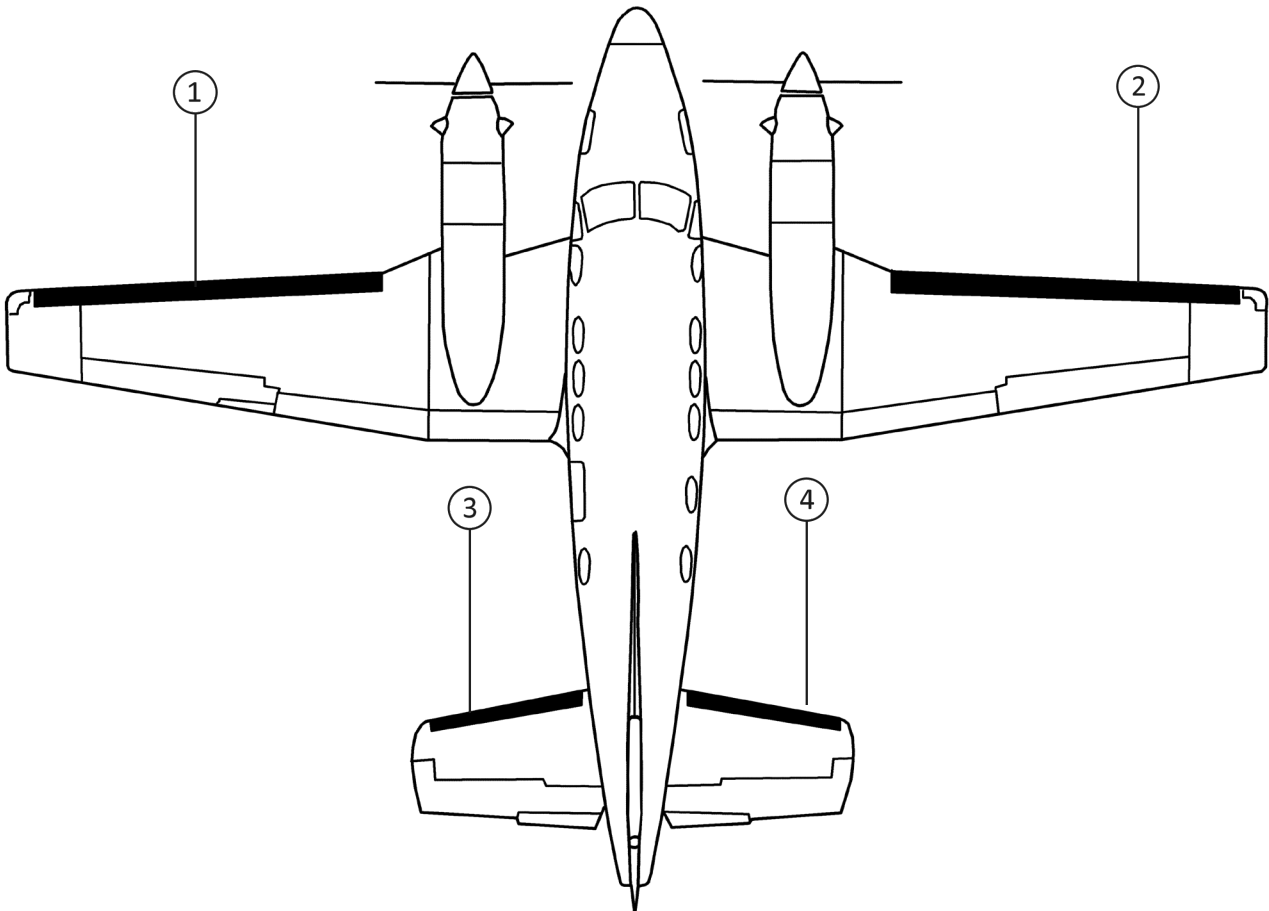

**BEECHCRAFT F90 (KING AIR)**

**BEECHCRAFT F90-1 (KING AIR)**
**STANDARD DE-ICE BOOTS**

POSITION ID	GOODRICH PART NUMBER	AIRCRAFT OEM P/N	DESCRIPTION	QTY PER AIRCRAFT	WT
1	25S-7D5064-01		WING LH DE-ICE BOOT	1	5.1
2	25S-7D5064-02		WING RH DE-ICE BOOT	1	5.1
3	25S-7D5064-17	101-380001-9	HORIZONTAL STABILIZER LH DE-ICE BOOT	1	3.6
4	25S-7D5064-18	101-380001-10	HORIZONTAL STABILIZER RH DE-ICE BOOT	1	3.6

**FASTboot® DE-ICE BOOTS**

POSITION ID	GOODRICH PART NUMBER	AIRCRAFT OEM P/N	DESCRIPTION	QTY PER AIRCRAFT	WT
1	P25S-7D5064-01		FASTBOOT® WING LH DE-ICE BOOT	1	5.1
2	P25S-7D5064-02		FASTBOOT® WING RH DE-ICE BOOT	1	5.1
3	P25S-7D5064-17		FASTBOOT® HORIZONTAL STABILIZER LH DE-ICE BOOT	1	3.6
4	P25S-7D5064-18		FASTBOOT® HORIZONTAL STABILIZER RH DE-ICE BOOT	1	3.6


**BEECHCRAFT F90-1 (KING AIR)**

**BEECHCRAFT H90 (T-44A) (KING AIR/PEGASUS)**
**STANDARD DE-ICE BOOTS**

POSITION ID	GOODRICH PART NUMBER	AIRCRAFT OEM P/N	DESCRIPTION	QTY PER AIRCRAFT	WT
1	25S-7D5064-03		WING LH DE-ICE BOOT	1	6.0
2	25S-7D5064-04		WING RH DE-ICE BOOT	1	6.0
3	25S-7D5064-05		HORIZONTAL STABILIZER LH/RH DE-ICE BOOT	2	2.0
4	25S-7D5064-10		VERTICAL STABILIZER DE-ICE BOOT	1	1.4

**OPTIONAL STANDARD DE-ICE BOOTS**

POSITION ID	GOODRICH PART NUMBER	AIRCRAFT OEM P/N	DESCRIPTION	QTY PER AIRCRAFT	WT
3	25S-7D5064-15*		HORIZONTAL STABILIZER LH/RH (ESTANE®) DE-ICE BOOT	2	2.4

\*ESTANE® DE-ICERS HAVE A SURFACE PLY RESISTANT TO DIESTER TYPE ENGINE OIL

**FASTboot® DE-ICE BOOTS**

POSITION ID	GOODRICH PART NUMBER	AIRCRAFT OEM P/N	DESCRIPTION	QTY PER AIRCRAFT	WT
1	P25S-7D5064-03		FASTBOOT® WING LH DE-ICE BOOT	1	6.0
2	P25S-7D5064-04		FASTBOOT® WING RH DE-ICE BOOT	1	6.0
3	P25S-7D5064-05		FASTBOOT® HORIZONTAL STABILIZER LH/RH DE-ICE BOOT	2	2.0
4	P25S-7D5064-10		FASTBOOT® VERTICAL STABILIZER DE-ICE BOOT	1	1.4

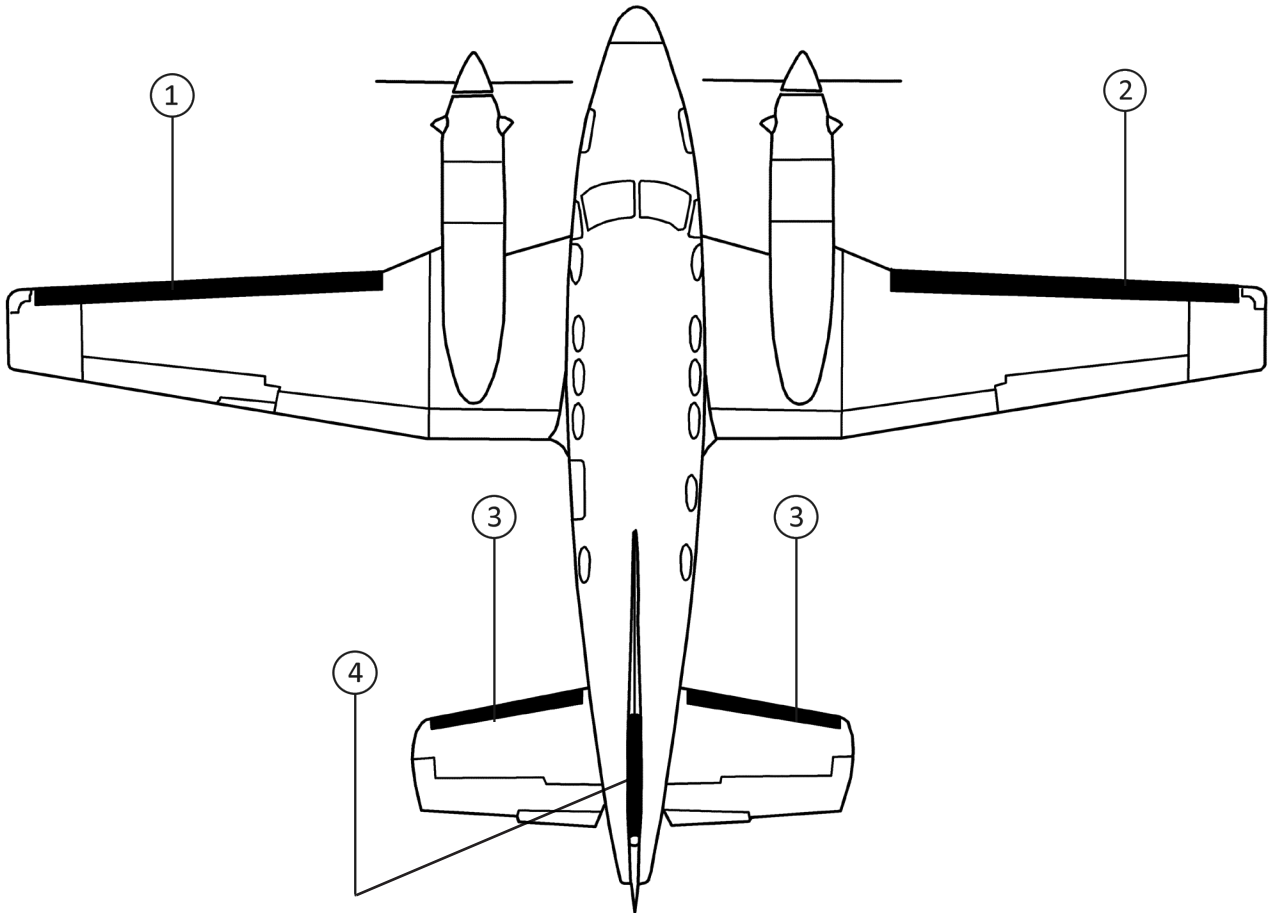
**OPTIONAL FASTboot® DE-ICE BOOTS**

POSITION ID	GOODRICH PART NUMBER	AIRCRAFT OEM P/N	DESCRIPTION	QTY PER AIRCRAFT	WT
3	P25S-7D5064-15*		FASTBOOT® HORIZONTAL STABILIZER LH/RH (ESTANE®) DE-ICE BOOT	2	2.4

**BEECHCRAFT H90 (T-44A) (KING AIR/PEGASUS)**

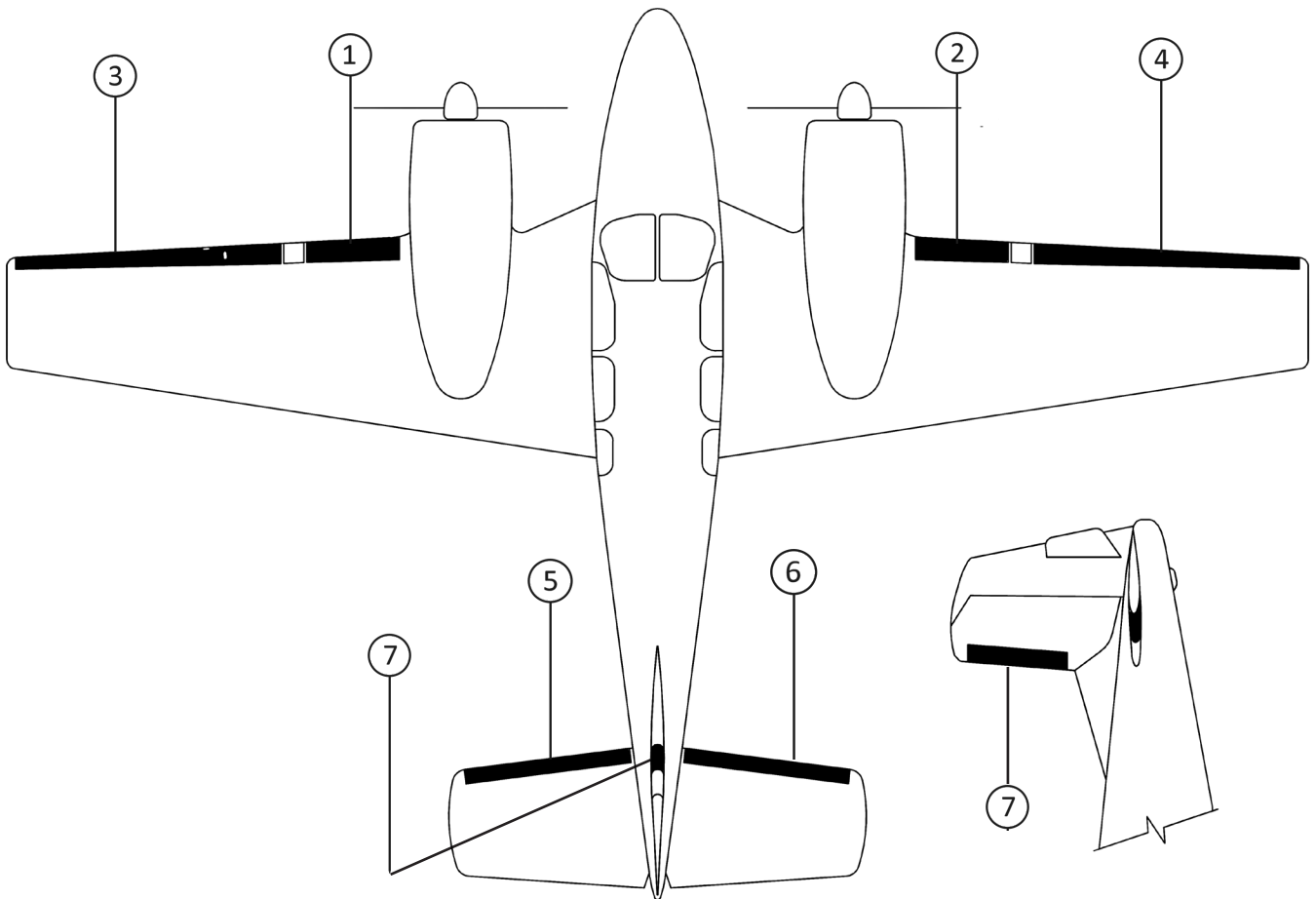
**BEECHCRAFT H90 (T-44A) (KING AIR/PEGASUS)**

**BEECHCRAFT H90 (T-44A) (KING AIR/PEGASUS)**



**BEECHCRAFT 95 (TRAVEL AIR)**
**STANDARD DE-ICE BOOTS**

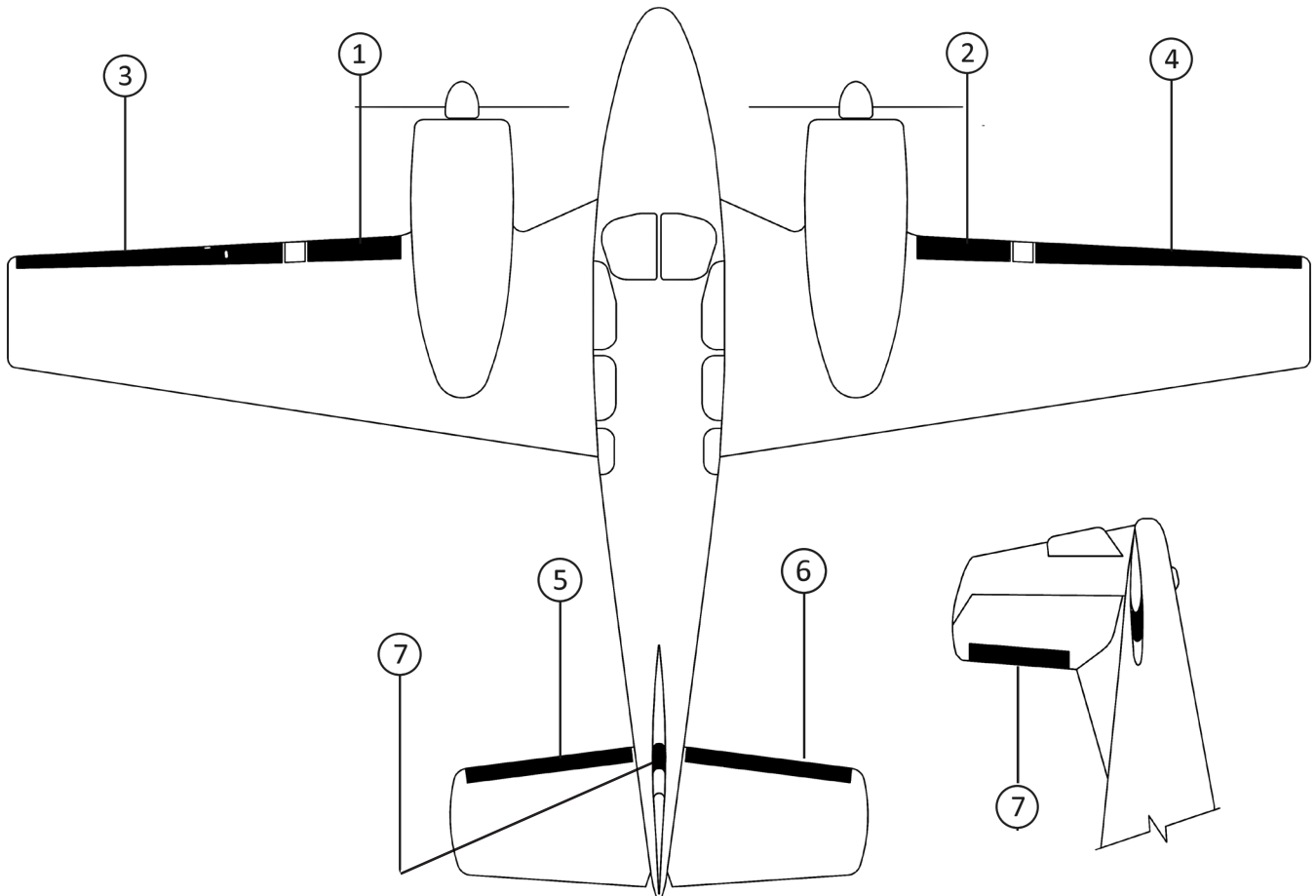
POSITION ID	GOODRICH PART NUMBER	AIRCRAFT OEM P/N	DESCRIPTION	QTY PER AIRCRAFT	WT
1	23S-2004-1-1		NACELLE-LIGHT LH DE-ICE BOOT	1	2.1
2	23S-2004-1-2		NACELLE-LIGHT RH DE-ICE BOOT	1	2.1
3	23S-2004-2-1		LIGHT-TIP LH DE-ICE BOOT	1	3.6
4	23S-2004-2-2		LIGHT-TIP RH DE-ICE BOOT	1	3.8
5	23S-2004-3-1		HORIZONTAL STABILIZER LH DE-ICE BOOT	1	2.4
6	23S-2004-3-2		HORIZONTAL STABILIZER RH DE-ICE BOOT	1	2.4
7	23S-2004-4-1		VERTICAL STABILIZER DE-ICE BOOT	1	1.7

**BEECHCRAFT 95 (TRAVEL AIR)**


**BEECHCRAFT B95 (TRAVEL AIR)**

**STANDARD DE-ICE BOOTS**

POSITION ID	GOODRICH PART NUMBER	AIRCRAFT OEM P/N	DESCRIPTION	QTY PER AIRCRAFT	WT
1	23S-2004-1-1		NACELLE-LIGHT LH DE-ICE BOOT	1	2.1
2	23S-2004-1-2		NACELLE-LIGHT RH DE-ICE BOOT	1	2.1
3	23S-2004-2-1		LIGHT-TIP LH DE-ICE BOOT	1	3.6
4	23S-2004-2-2		LIGHT-TIP RH DE-ICE BOOT	1	3.8
5	23S-2004-5-1	23S-2004-3-1	HORIZONTAL STABILIZER LH DE-ICE BOOT	1	2.8
6	23S-2004-5-2	23S-2004-3-2	HORIZONTAL STABILIZER RH DE-ICE BOOT	1	2.8
7	23S-2004-6-1	23S-2004-4-1	VERTICAL STABILIZER DE-ICE BOOT	1	1.3



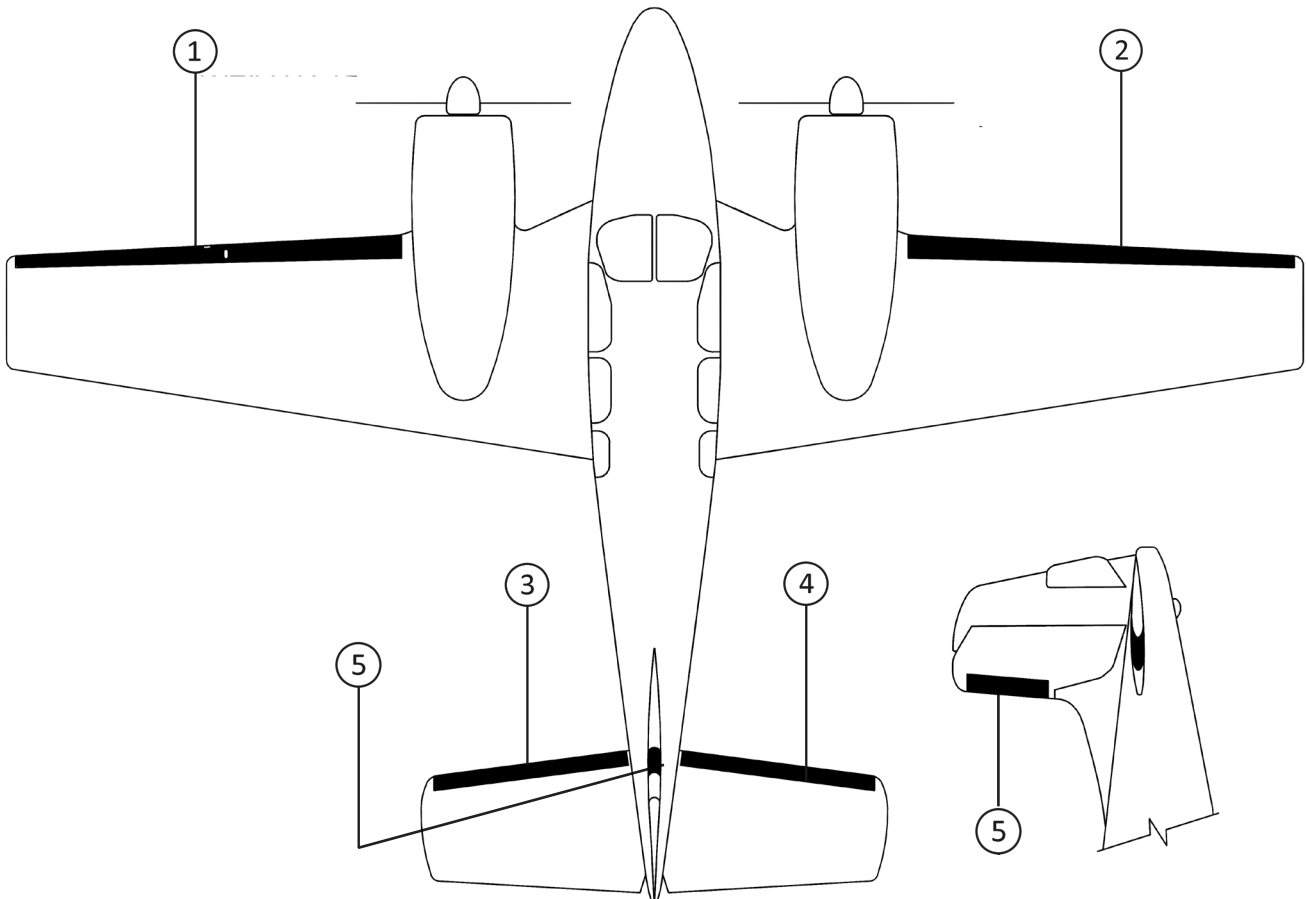
**BEECHCRAFT B95 (TRAVEL AIR)**

**BEECHCRAFT B95A (TRAVEL AIR)**
**STANDARD DE-ICE BOOTS**

POSITION ID	GOODRICH PART NUMBER	AIRCRAFT OEM P/N	DESCRIPTION	QTY PER AIRCRAFT	WT
1	23S-2004-10-1		NACELLE-TIP LH DE-ICE BOOT WITHOUT OPTIONAL FUEL TANK	1	6.6
2	23S-2004-10-2		NACELLE-TIP RH DE-ICE BOOT WITHOUT OPTIONAL FUEL TANK	1	6.6
3	23S-2004-5-1		HORIZONTAL STABILIZER LH DE-ICE BOOT	1	2.8
4	23S-2004-5-2		HORIZONTAL STABILIZER RH DE-ICE BOOT	1	2.8
5	23S-2004-6-1		VERTICAL STABILIZER DE-ICE BOOT	1	1.3

**OPTIONAL STANDARD DE-ICE BOOTS**

POSITION ID	GOODRICH PART NUMBER	AIRCRAFT OEM P/N	DESCRIPTION	QTY PER AIRCRAFT	WT
1	23S-2004-8-1		NACELLE-TIP LH DE-ICE BOOT WITH OPTIONAL FUEL TANK	1	6.7
2	23S-2004-8-2		NACELLE-TIP RH DE-ICE BOOT WITH OPTIONAL FUEL TANK	1	6.9


**BEECHCRAFT B95A (TRAVEL AIR)**

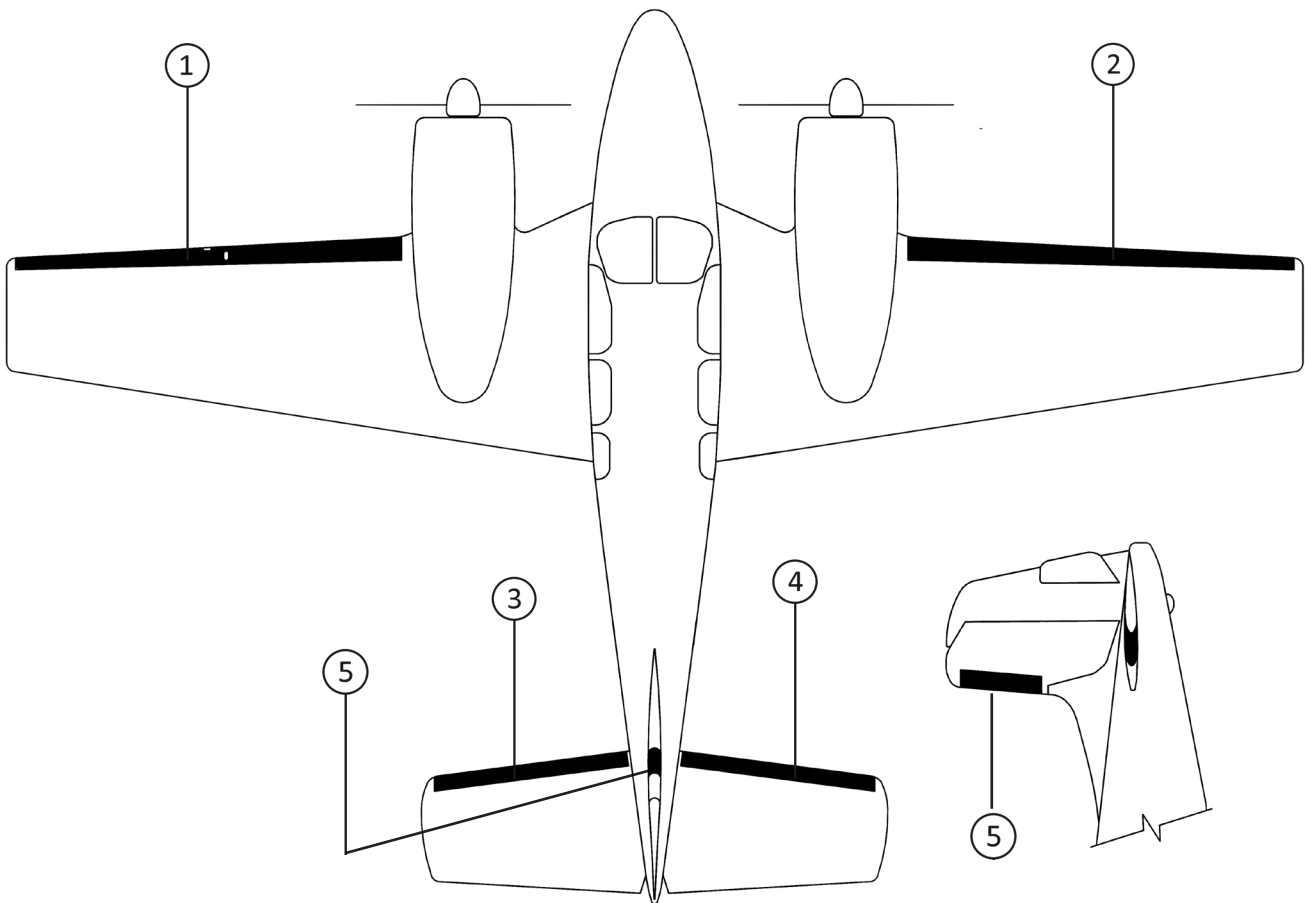


**BEECHCRAFT D95A (TRAVEL AIR)**

**STANDARD DE-ICE BOOTS**

POSITION ID	GOODRICH PART NUMBER	AIRCRAFT OEM P/N	DESCRIPTION	QTY PER AIRCRAFT	WT
1	23S-2004-10-2		NACELLE-TIP LH DE-ICE BOOT	1	6.6
2	23S-2004-13-1		NACELLE-TIP RH DE-ICE BOOT	1	6.4
3	23S-2004-5-1		HORIZONTAL STABILIZER LH DE-ICE BOOT	1	2.8
4	23S-2004-5-2		HORIZONTAL STABILIZER RH DE-ICE BOOT	1	2.8
5	23S-2004-6-1		VERTICAL STABILIZER DE-ICE BOOT	1	1.3

**BEECHCRAFT D95A (TRAVEL AIR)**

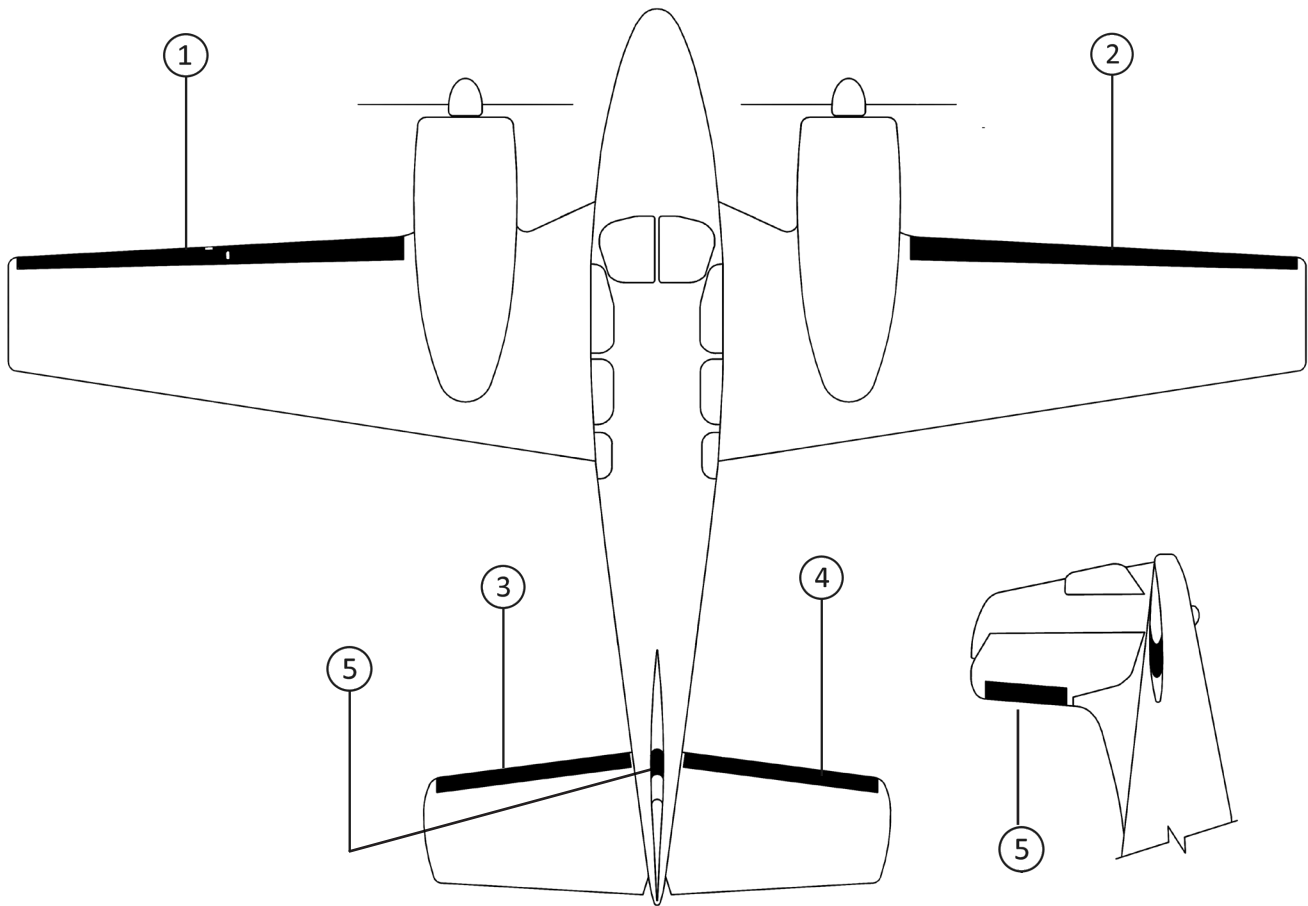


**BEECHCRAFT E95 (TRAVEL AIR)**

**STANDARD DE-ICE BOOTS**

POSITION ID	GOODRICH PART NUMBER	AIRCRAFT OEM P/N	DESCRIPTION	QTY PER AIRCRAFT	WT
1	23S-2004-10-2		NACELLE-TIP LH DE-ICE BOOT	1	6.6
2	23S-2004-13-1		NACELLE-TIP RH DE-ICE BOOT	1	6.4
3	23S-2004-5-1		HORIZONTAL STABILIZER LH DE-ICE BOOT	1	2.8
4	23S-2004-5-2		HORIZONTAL STABILIZER RH DE-ICE BOOT	1	2.8
5	23S-2004-6-1		VERTICAL STABILIZER DE-ICE BOOT	1	1.3

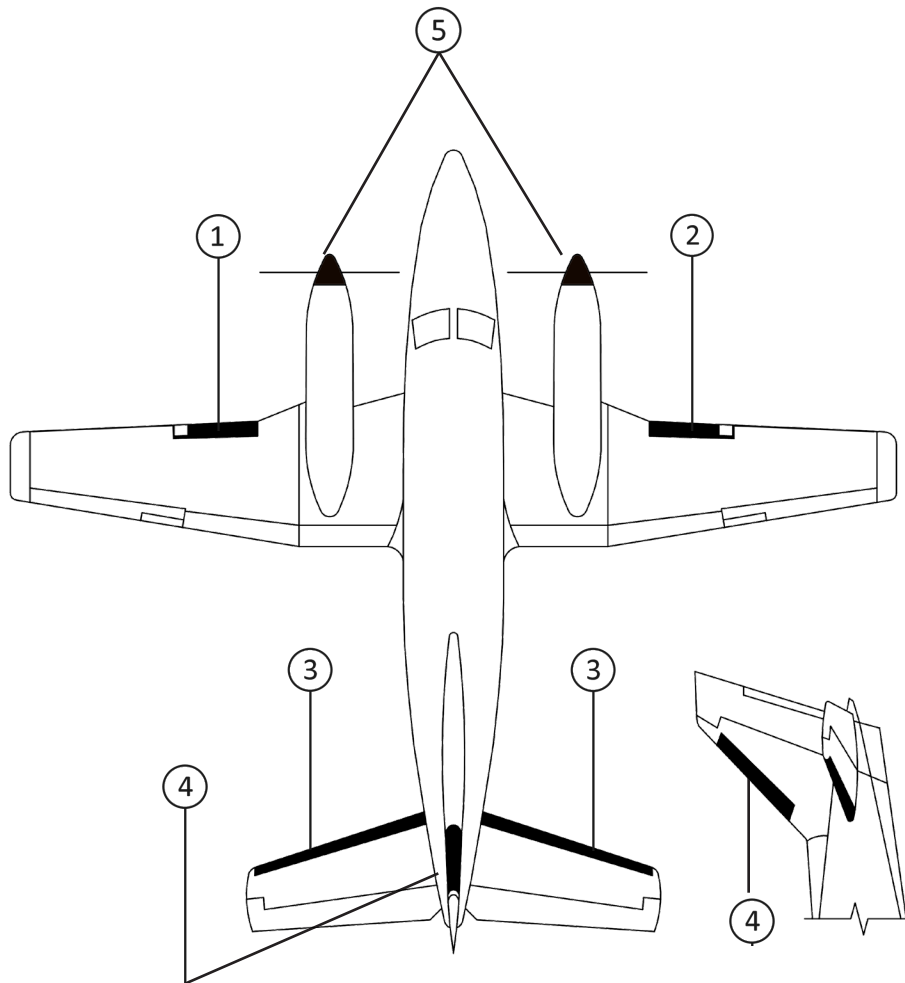
**BEECHCRAFT E95 (TRAVEL AIR)**



**BEECHCRAFT 99 (AIRLINER)**

**STANDARD DE-ICE BOOTS**

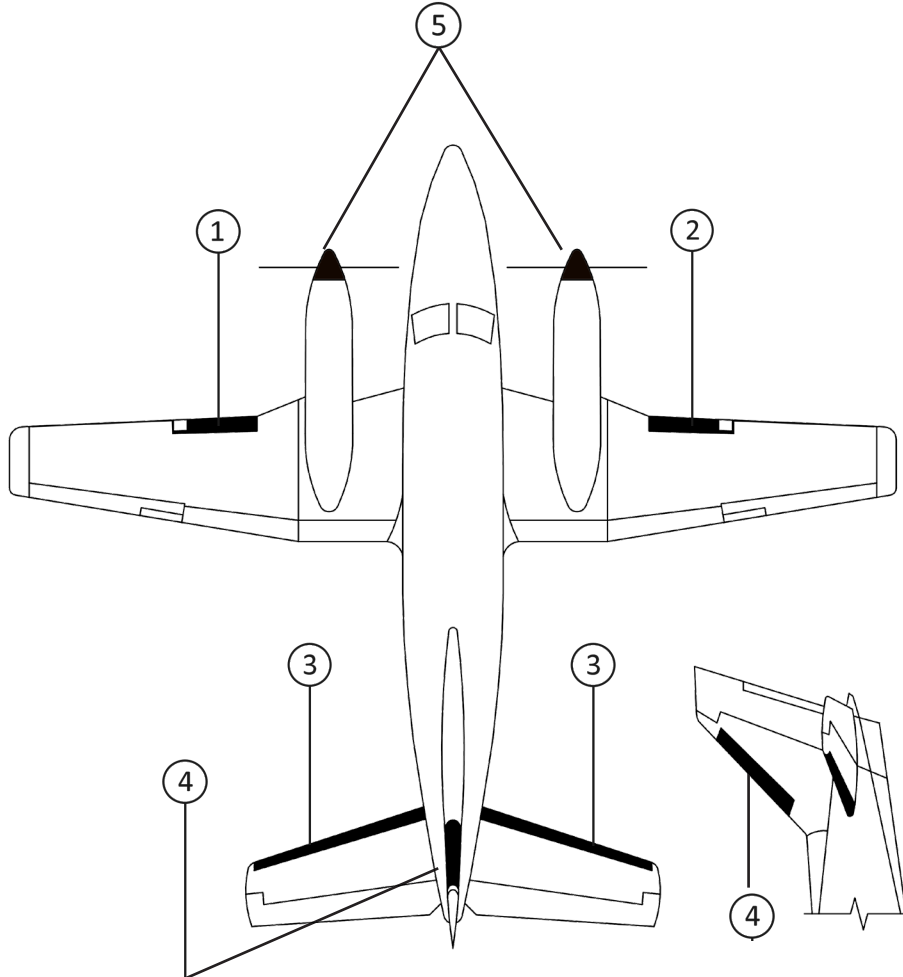
POSITION ID	GOODRICH PART NUMBER	AIRCRAFT OEM P/N	DESCRIPTION	QTY PER AIRCRAFT	WT
1	23S-2014-11-1	50-380139-1	BREAK-LIGHT LH DE-ICE BOOT	1	6.5
2	23S-2014-11-2	50-380139-2	BREAK-LIGHT RH DE-ICE BOOT	1	6.5
3	23S-2128-3-1	115-380114-5	HORIZONTAL STABILIZER LH/RH DE-ICE BOOT	2	5.5
4	23S-2128-4-1	115-380114-7	VERTICAL STABILIZER DE-ICE BOOT	1	3.5
5	5E1319	50-389028	ENGINE INLET ANTI-ICER	2	



**BEECHCRAFT 99 (AIRLINER)**

**BEECHCRAFT 99A (AIRLINER)**
**STANDARD DE-ICE BOOTS**

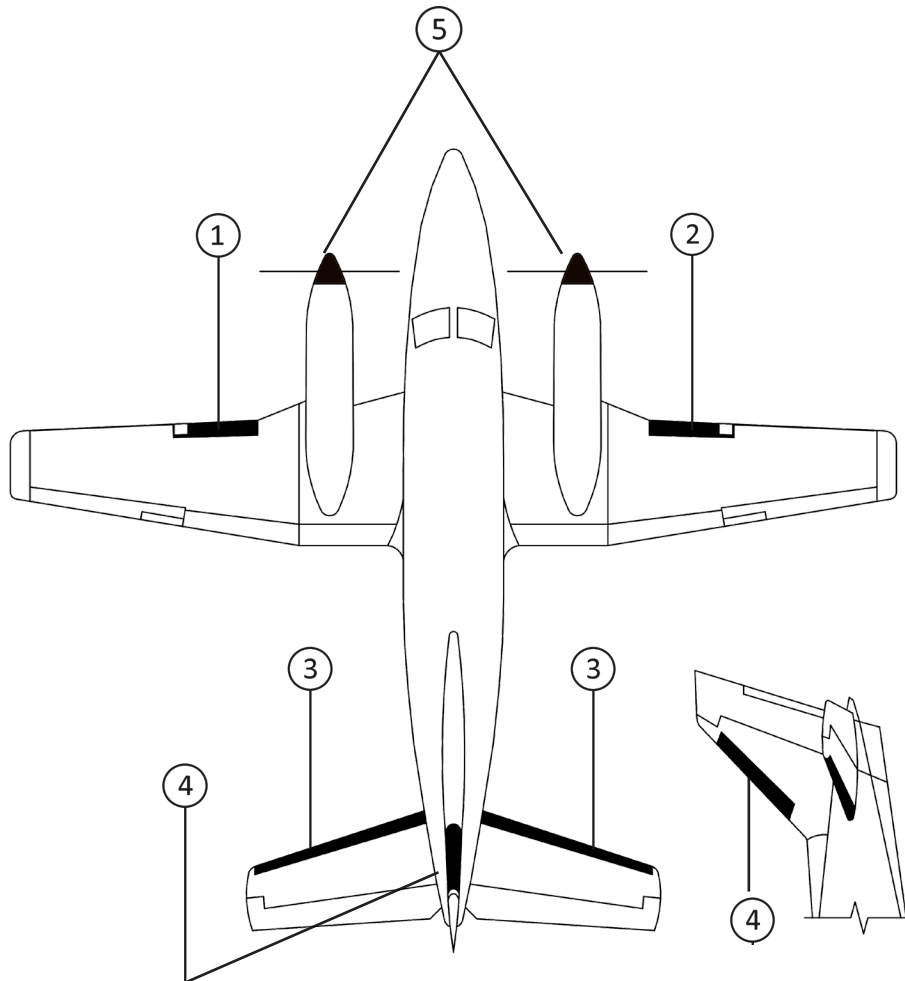
POSITION ID	GOODRICH PART NUMBER	AIRCRAFT OEM P/N	DESCRIPTION	QTY PER AIRCRAFT	WT
1	23S-2014-11-1	50-380139-1	BREAK-LIGHT LH DE-ICE BOOT	1	6.5
2	23S-2014-11-2	50-380139-2	BREAK-LIGHT RH DE-ICE BOOT	1	6.5
3	23S-2128-3-1	115-380114-5	HORIZONTAL STABILIZER LH/RH DE-ICE BOOT	2	5.5
4	23S-2128-4-1	115-380114-7	VERTICAL STABILIZER DE-ICE BOOT	1	3.5
5	5E1319	50-389028	ENGINE INLET ANTI-ICER	2	


**BEECHCRAFT 99A (AIRLINER)**

**BEECHCRAFT A99 (AIRLINER)**

**STANDARD DE-ICE BOOTS**

POSITION ID	GOODRICH PART NUMBER	AIRCRAFT OEM P/N	DESCRIPTION	QTY PER AIRCRAFT	WT
1	23S-2014-11-1	50-380139-1	BREAK-LIGHT LH DE-ICE BOOT	1	6.5
2	23S-2014-11-2	50-380139-2	BREAK-LIGHT RH DE-ICE BOOT	1	6.5
3	23S-2128-3-1	115-380114-5	HORIZONTAL STABILIZER LH/RH DE-ICE BOOT	2	5.5
4	23S-2128-4-1	115-380114-7	VERTICAL STABILIZER DE-ICE BOOT	1	3.5
5	5E1319	50-389028	ENGINE INLET ANTI-ICER	2	

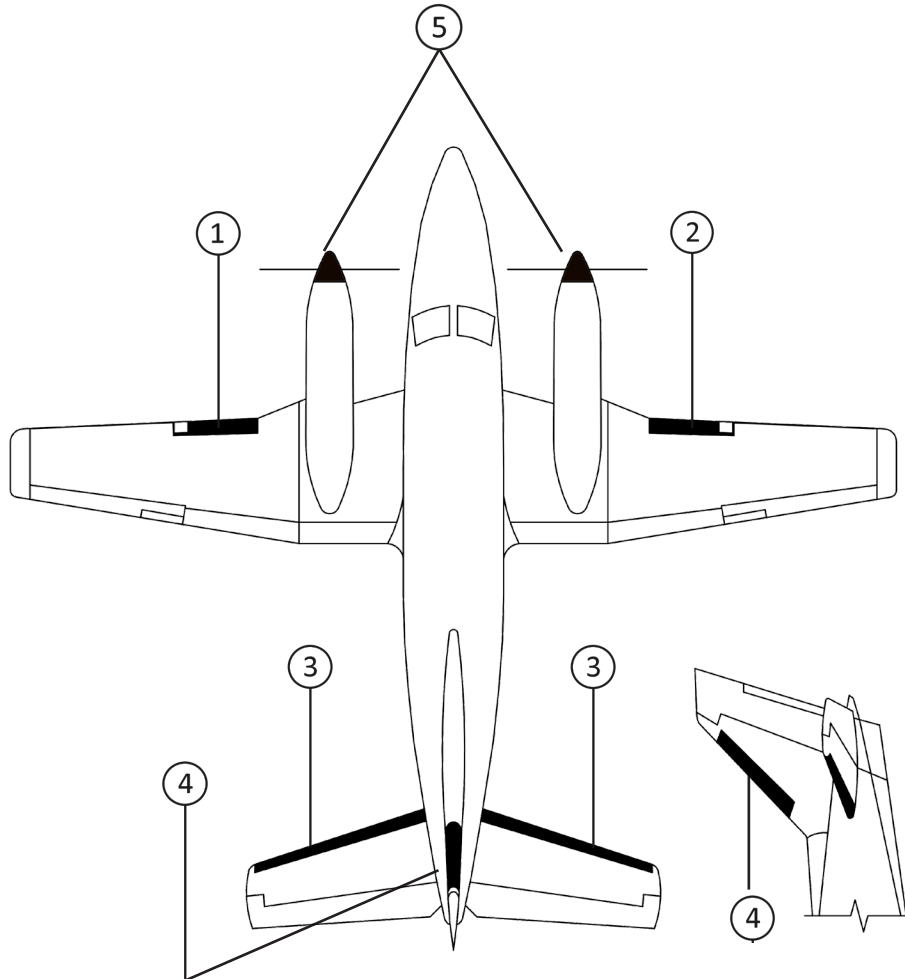


**BEECHCRAFT A99 (AIRLINER)**

**BEECHCRAFT A99A (AIRLINER)**

**STANDARD DE-ICE BOOTS**

POSITION ID	GOODRICH PART NUMBER	AIRCRAFT OEM P/N	DESCRIPTION	QTY PER AIRCRAFT	WT
1	23S-2014-11-1	50-380139-1	BREAK-LIGHT LH DE-ICE BOOT	1	6.5
2	23S-2014-11-2	50-380139-2	BREAK-LIGHT RH DE-ICE BOOT	1	6.5
3	23S-2128-3-1	115-380114-5	HORIZONTAL STABILIZER LH/RH DE-ICE BOOT	2	5.5
4	23S-2128-4-1	115-380114-7	VERTICAL STABILIZER DE-ICE BOOT	1	3.5
5	5E1319	50-389028	ENGINE INLET ANTI-ICER	2	



**BEECHCRAFT A99A (AIRLINER)**

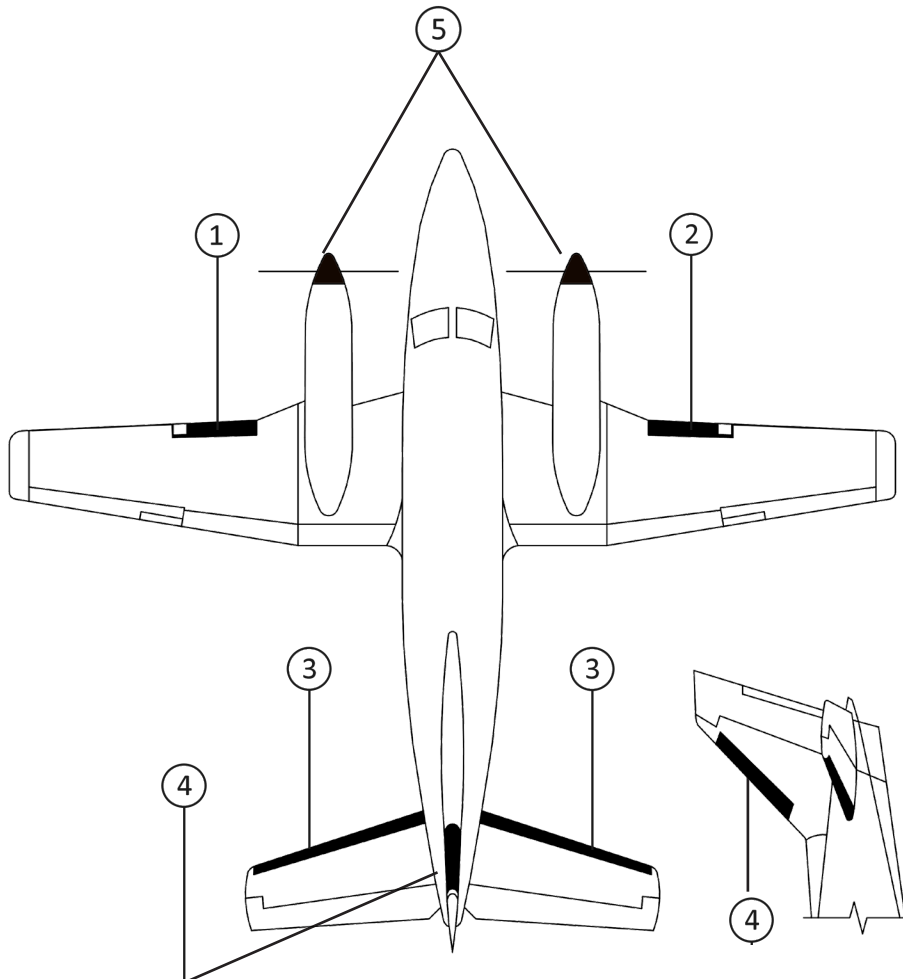
**BEECHCRAFT B99 (AIRLINER)**
**STANDARD DE-ICE BOOTS**

POSITION ID	GOODRICH PART NUMBER	AIRCRAFT OEM P/N	DESCRIPTION	QTY PER AIRCRAFT	WT
1	23S-2014-11-1	50-380139-1	BREAK-LIGHT LH DE-ICE BOOT	1	6.6
2	23S-2014-11-2	50-380139-2	BREAK-LIGHT RH DE-ICE BOOT	1	6.6
3	23S-2128-5-1	99-380009-3	HORIZONTAL STABILIZER LH/RH DE-ICE BOOT	2	4.4
4	23S-2128-6-1	99-380009-1	VERTICAL STABILIZER DE-ICE BOOT	1	3.1
5	5E1319	50-389028	ENGINE INLET ANTI-ICER	2	

**OPTIONAL STANDARD DE-ICE BOOTS**

POSITION ID	GOODRICH PART NUMBER	AIRCRAFT OEM P/N	DESCRIPTION	QTY PER AIRCRAFT	WT
3	23S-2128-3-1*	115-380114-5	HORIZONTAL STABILIZER LH/RH DE-ICE BOOT	2	5.5
4	23S-2128-4-1*	115-380114-7	VERTICAL STABILIZER DE-ICE BOOT	1	3.5

\*ONLY FOR S/N U-146 AND U-148 THRU U-150


**BEECHCRAFT B99 (AIRLINER)**

**BEECHCRAFT C99 (COMMUTER)**
**BEECHCRAFT C99 (COMMUTER)**
**STANDARD DE-ICE BOOTS**

POSITION ID	GOODRICH PART NUMBER	AIRCRAFT OEM P/N	DESCRIPTION	QTY PER AIRCRAFT	WT
1	25S-7D5064-21	99-380014-1	WING LH DE-ICE BOOT	1	4.5
2	25S-7D5064-22	99-380014-2	WING RH DE-ICE BOOT	1	4.5
3	25S-7D5064-07	99-380014-3	HORIZONTAL STABILIZER LH/RH DE-ICE BOOT	2	3.1
4	25S-7D5064-23	99-380014-7	VERTICAL STABILIZER DE-ICE BOOT	1	2.2

**OPTIONAL STANDARD DE-ICE BOOTS**

POSITION ID	GOODRICH PART NUMBER	AIRCRAFT OEM P/N	DESCRIPTION	QTY PER AIRCRAFT	WT
4	25S-7D5064-12*	99-380014-5	VERTICAL STABILIZER DE-ICE BOOT	1	1.9

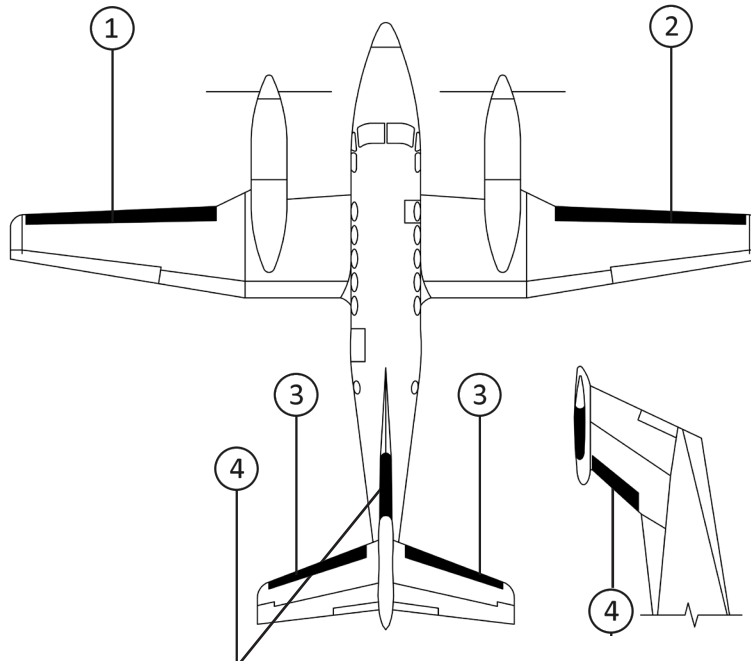
\*ONLY FOR S/N U-165 THRU U-201 (REPLACED BY 25S-7D5065-23 ON S/N U-202 UP)

**FASTboot® DE-ICE BOOTS**

POSITION ID	GOODRICH PART NUMBER	AIRCRAFT OEM P/N	DESCRIPTION	QTY PER AIRCRAFT	WT
1	P25S-7D5064-21	99-380014-1	FASTBOOT® WING LH DE-ICE BOOT	1	4.5
2	P25S-7D5064-22	99-380014-2	FASTBOOT® WING RH DE-ICE BOOT	1	4.5
3	P25S-7D5064-07	99-380014-3	FASTBOOT® HORIZONTAL STABILIZER LH/RH DE-ICE BOOT	2	3.1
4	P25S-7D5064-23	99-380014-7	FASTBOOT® VERTICAL STABILIZER DE-ICE BOOT	1	2.2

**OPTIONAL FASTboot® DE-ICE BOOTS**

POSITION ID	GOODRICH PART NUMBER	AIRCRAFT OEM P/N	DESCRIPTION	QTY PER AIRCRAFT	WT
4	P25S-7D5064-12	99-380009-1	FASTBOOT® VERTICAL STABILIZER DE-ICE BOOT	1	1.9

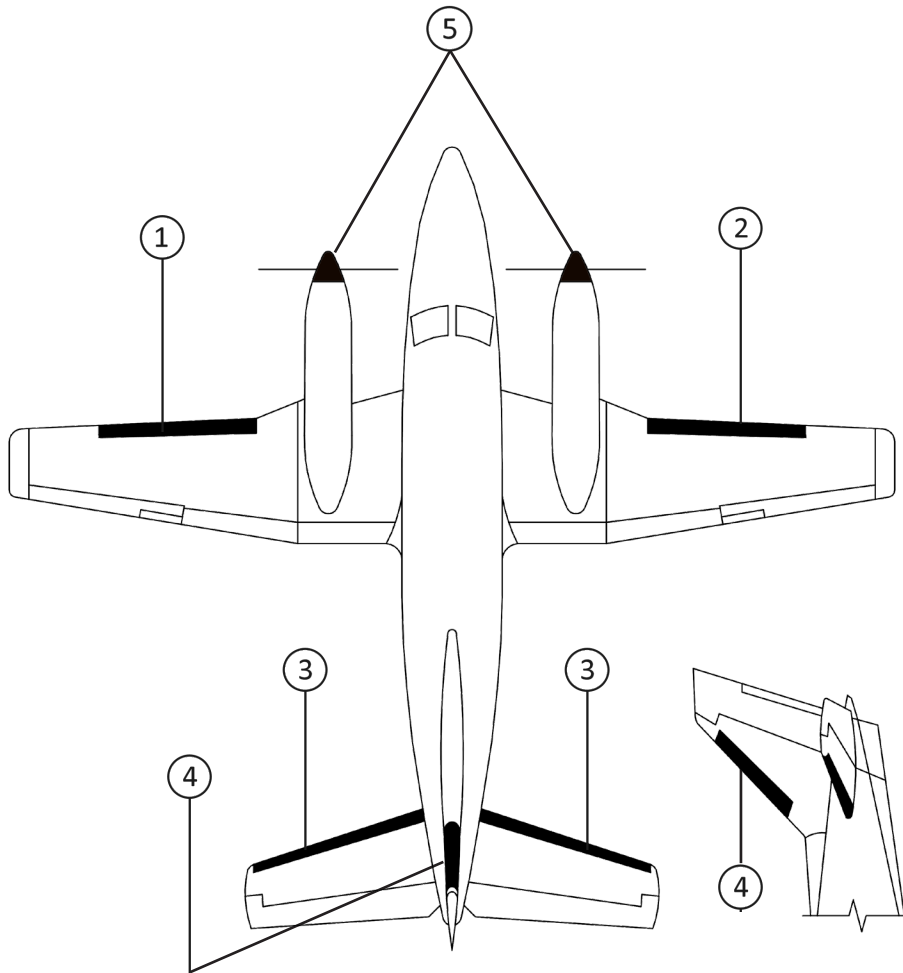




**BEECHCRAFT 100 (KING AIR)**

**STANDARD DE-ICE BOOTS**

POSITION ID	GOODRICH PART NUMBER	AIRCRAFT OEM P/N	DESCRIPTION	QTY PER AIRCRAFT	WT
1	23S-2014-11-1	50-380139-1	BREAK-LIGHT LH DE-ICE BOOT	1	6.6
2	23S-2014-11-2	50-380139-2	BREAK-LIGHT RH DE-ICE BOOT	1	6.6
3	23S-2128-5-1	99-380009-3	HORIZONTAL STABILIZER LH/RH DE-ICE BOOT	2	4.4
4	23S-2128-6-1	99-380009-1	VERTICAL STABILIZER DE-ICE BOOT	1	3.1
5	5E1319	50-389028	ENGINE INLET ANTI-ICER	2	



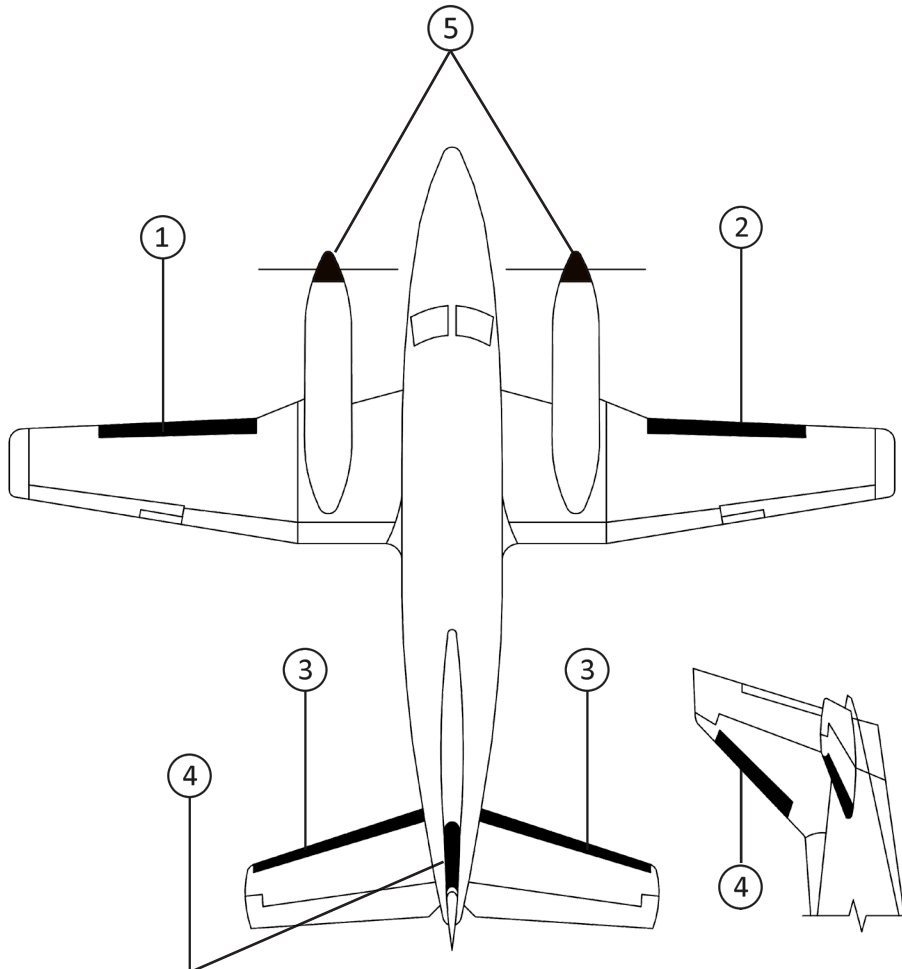
**BEECHCRAFT 100 (KING AIR)**

**BEECHCRAFT A100 (KING AIR)**
**STANDARD DE-ICE BOOTS**

POSITION ID	GOODRICH PART NUMBER	AIRCRAFT OEM P/N	DESCRIPTION	QTY PER AIRCRAFT	WT
1	25S-7D5064-01	50-380139-1	WING BREAK-TIP LH DE-ICE BOOT	1	5.1
2	25S-7D5064-02	50-380139-2	WING BREAK-TIP RH DE-ICE BOOT	1	5.1
3	25S-7D5064-07	99-380014-3	HORIZONTAL STABILIZER LH/RH DE-ICE BOOT	2	3.1
4	25S-7D5064-23	99-380014-7	VERTICAL STABILIZER DE-ICE BOOT	1	2.2
5	5E1319	50-389028	ENGINE INLET ANTI-ICER	2	

**FASTboot® DE-ICE BOOTS**

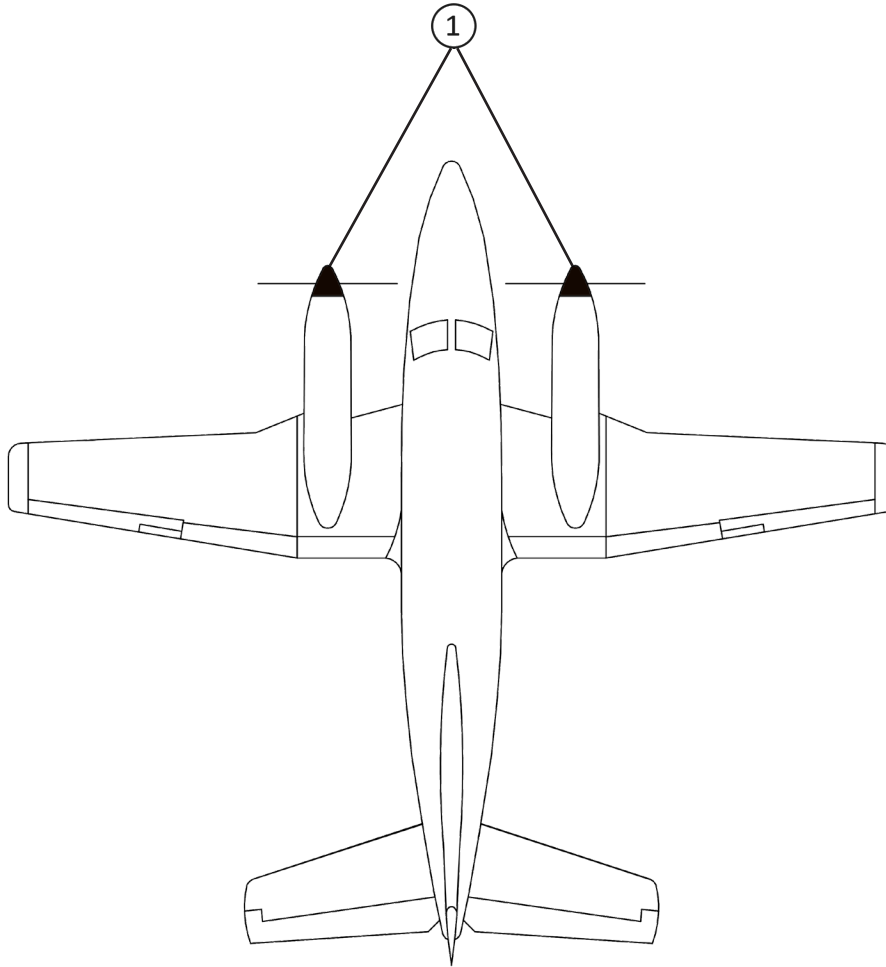
POSITION ID	GOODRICH PART NUMBER	AIRCRAFT OEM P/N	DESCRIPTION	QTY PER AIRCRAFT	WT
1	P25S-7D5064-01	50-380139-1	FASTBOOT® WING BREAK-TIP LH DE-ICE BOOT	1	5.1
2	P25S-7D5064-02	50-380139-2	FASTBOOT® WING BREAK-TIP RH DE-ICE BOOT	1	5.1
3	P25S-7D5064-07	99-380014-3	FASTBOOT® HORIZONTAL STABILIZER LH/RH DE-ICE BOOT	2	3.1
4	P25S-7D5064-23	99-380014-7	FASTBOOT® VERTICAL STABILIZER DE-ICE BOOT	1	2.2


**BEECHCRAFT A100 (KING AIR)**

**BEECHCRAFT A100A (KING AIR)**

**STANDARD DE-ICE BOOTS**

POSITION ID	GOODRICH PART NUMBER	AIRCRAFT OEM P/N	DESCRIPTION	QTY PER AIRCRAFT	WT
1	5E1319	50-389028	ENGINE INLET ANTI-ICER	2	

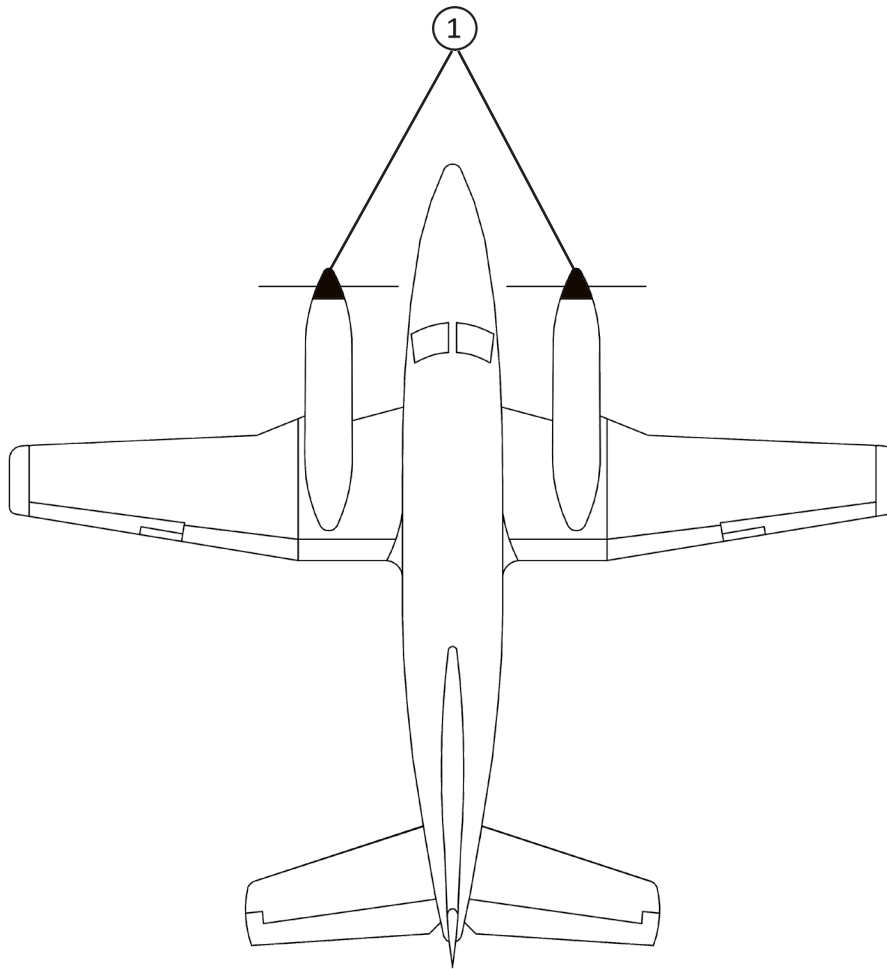


**BEECHCRAFT A100A (KING AIR)**

**BEECHCRAFT A100C (KING AIR)**

**STANDARD DE-ICE BOOTS**

POSITION ID	GOODRICH PART NUMBER	AIRCRAFT OEM P/N	DESCRIPTION	QTY PER AIRCRAFT	WT
1	5E1319	50-389028	ENGINE INLET ANTI-ICER	2	



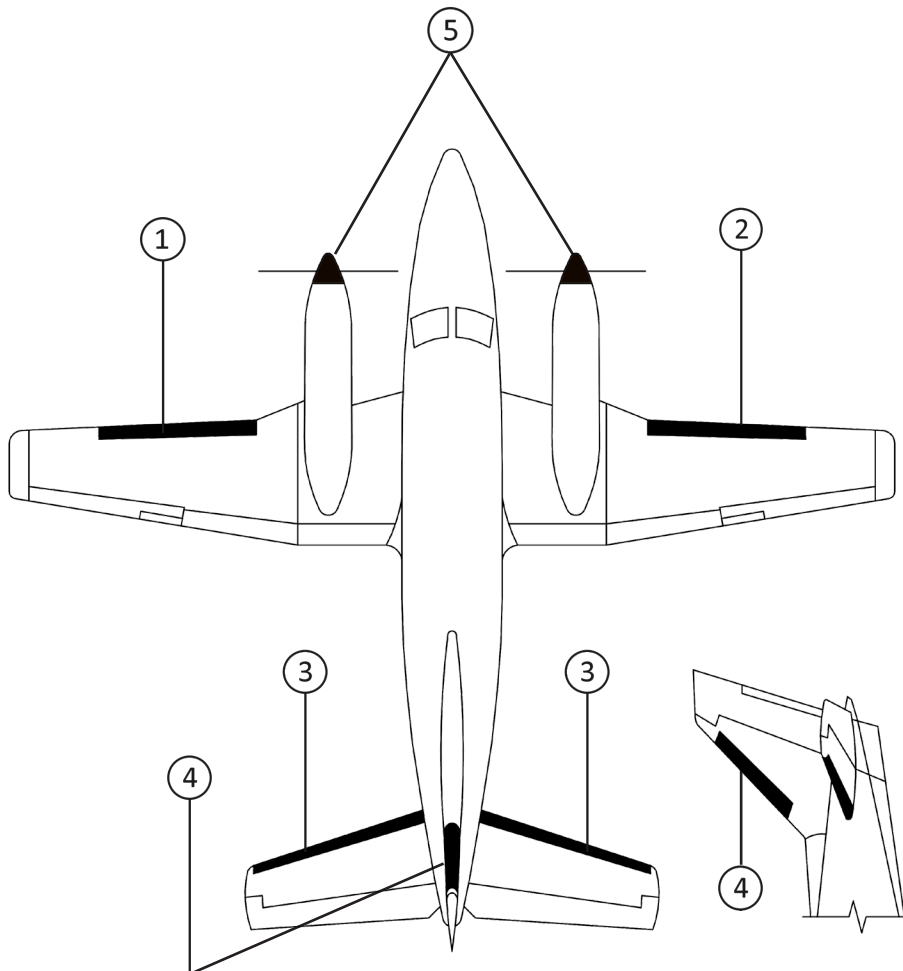
**BEECHCRAFT A100C (KING AIR)**

**BEECHCRAFT B100 (KING AIR)**
**STANDARD DE-ICE BOOTS**

POSITION ID	GOODRICH PART NUMBER	AIRCRAFT OEM P/N	DESCRIPTION	QTY PER AIRCRAFT	WT
1	25S-7D5064-01	50-380139-1	WING BREAK-TIP LH DE-ICE BOOT	1	5.1
2	25S-7D5064-02	50-380139-2	WING BREAK-TIP RH DE-ICE BOOT	1	5.1
3	25S-7D5064-07	99-380014-3	HORIZONTAL STABILIZER LH/RH DE-ICE BOOT	2	3.1
4	25S-7D5064-23	99-380014-7	VERTICAL STABILIZER DE-ICE BOOT	1	2.2

**FASTboot® DE-ICE BOOTS**

POSITION ID	GOODRICH PART NUMBER	AIRCRAFT OEM P/N	DESCRIPTION	QTY PER AIRCRAFT	WT
1	P25S-7D5064-01	50-380139-1	FASTBOOT® WING BREAK-TIP LH DE-ICE BOOT	1	5.1
2	P25S-7D5064-02	50-380139-2	FASTBOOT® WING BREAK-TIP RH DE-ICE BOOT	1	5.1
3	P25S-7D5064-07	99-380014-3	FASTBOOT® HORIZONTAL STABILIZER LH/RH DE-ICE BOOT	2	3.1
4	P25S-7D5064-23	99-380014-7	FASTBOOT® VERTICAL STABILIZER DE-ICE BOOT	1	2.2

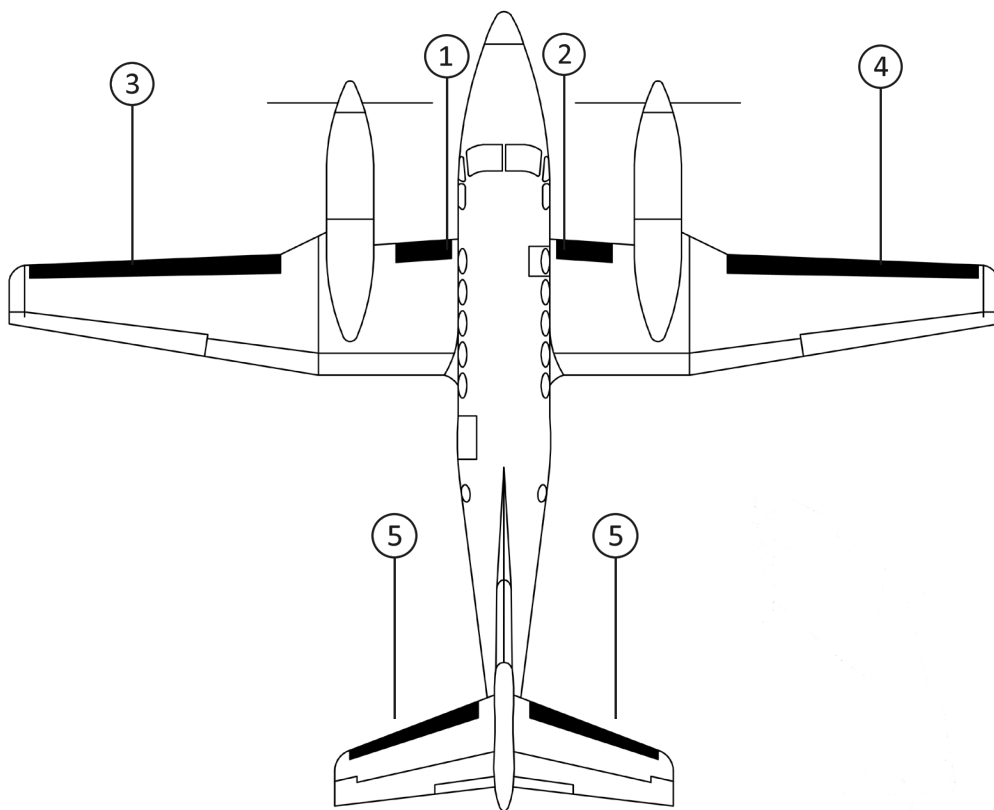

**BEECHCRAFT B100 (KING AIR)**

**BEECHCRAFT 200 (SUPER KING AIR)**
**STANDARD DE-ICE BOOTS**

POSITION ID	GOODRICH PART NUMBER	AIRCRAFT OEM P/N	DESCRIPTION	QTY PER AIRCRAFT	WT
1	25S-7D5041-07	101-380001-7	INBOARD WING LH DE-ICE BOOT	1	1.6
2	25S-7D5041-08	101-380001-8	INBOARD WING RH DE-ICE BOOT	1	1.6
3	25S-7D5041-01	101-380001-1	OUTBOARD WING LH DE-ICE BOOT	1	6.2
4	25S-7D5041-02	101-380001-2	OUTBOARD WING RH DE-ICE BOOT	1	6.2
5	25S-7D5041-05	101-380001-5	HORIZONTAL STABILIZER LH/ RH DE-ICE BOOT	2	2.8

**FASTboot® DE-ICE BOOTS**

POSITION ID	GOODRICH PART NUMBER	AIRCRAFT OEM P/N	DESCRIPTION	QTY PER AIRCRAFT	WT
1	P25S-7D5041-07	101-380001-25	FASTBOOT® INBOARD WING LH DE-ICE BOOT	1	1.6
2	P25S-7D5041-08	101-380001-26	FASTBOOT® INBOARD WING RH DE-ICE BOOT	1	1.6
3	P25S-7D5041-01	101-380001-21	FASTBOOT® OUTBOARD WING LH DE-ICE BOOT	1	6.2
4	P25S-7D5041-02	101-380001-22	FASTBOOT® OUTBOARD WING RH DE-ICE BOOT	1	6.2
5	P25S-7D5041-05	101-380001-23	FASTBOOT® HORIZONTAL STABILIZER LH/RH DE-ICE BOOT	2	2.8

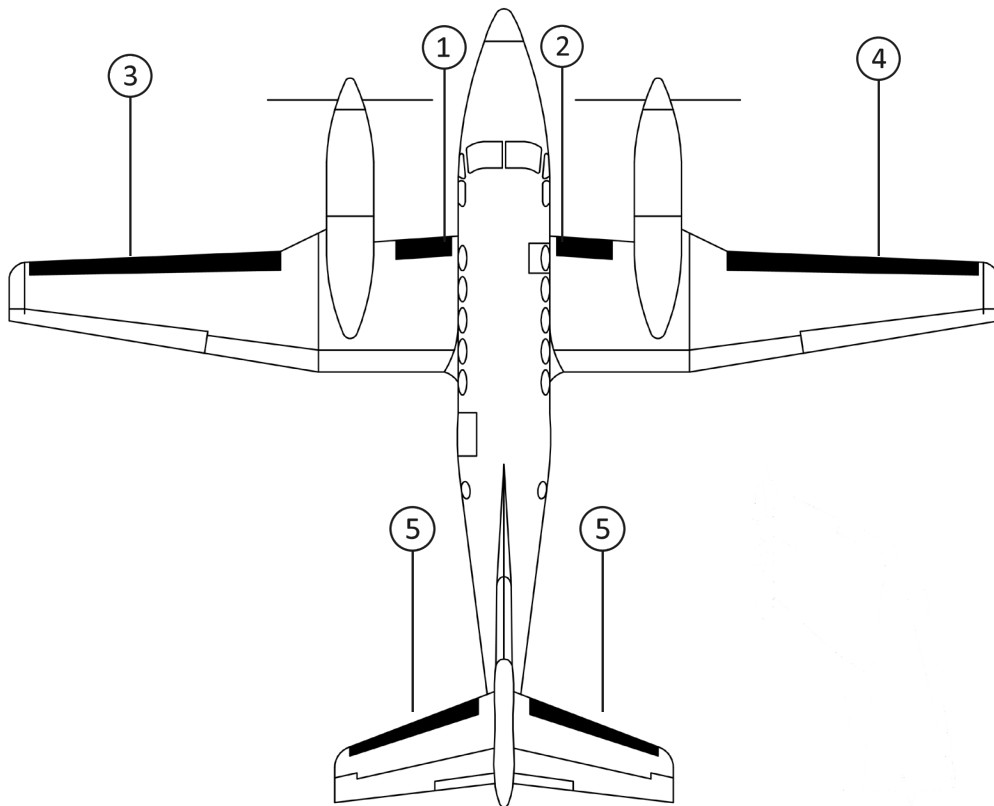

**BEECHCRAFT 200 (SUPER KING AIR)**

**BEECHCRAFT 200 WITH BLR WINGLETS (SUPER KING AIR)**
**STANDARD DE-ICE BOOTS**

POSITION ID	GOODRICH PART NUMBER	AIRCRAFT OEM P/N	DESCRIPTION	QTY PER AIRCRAFT	WT
1	25S-7D5041-07	101-380001-7	INBOARD WING LH DE-ICE BOOT	1	1.6
2	25S-7D5041-08	101-380001-8	INBOARD WING RH DE-ICE BOOT	1	1.6
3	29S4D5041-91		OUTBOARD WING LH DE-ICE BOOT W/ BLR WINGLETS (REPLACES SMR5041-91)	1	7.2
4	29S4D5041-92		OUTBOARD WING RH DE-ICE BOOT W/ BLR WINGLETS (REPLACES SMR5041-92)	1	6.8
5	25S-7D5041-05	101-380001-5	HORIZONTAL STABILIZER LH/ RH DE-ICE BOOT	2	2.8

**FASTboot® DE-ICE BOOTS**

POSITION ID	GOODRICH PART NUMBER	AIRCRAFT OEM P/N	DESCRIPTION	QTY PER AIRCRAFT	WT
1	P25S-7D5041-07	101-380001-25	FASTBOOT® INBOARD WING LH DE-ICE BOOT	1	1.6
2	P25S-7D5041-08	101-380001-26	FASTBOOT® INBOARD WING RH DE-ICE BOOT	1	1.6
3	P29S4D5041-91		FASTBOOT® OUTBOARD WING LH DE-ICE BOOT W/ BLR WINGLETS (REPLACES SMR5041-91)	1	7.2
4	P29S4D5041-92		FASTBOOT® OUTBOARD WING RH DE-ICE BOOT W/ BLR WINGLETS (REPLACES SMR5041-92)	1	6.8
5	P25S-7D5041-05	101-380001-23	FASTBOOT® HORIZONTAL STABILIZER LH/RH DE-ICE BOOT	2	2.8


**BEECHCRAFT 200 WITH BLR WINGLETS (SUPER KING AIR)**

## De-ice boot care products



Aerospace Protectant™ (32 fl. oz.) P/N 74-451-237-32

### Goodrich® Aerospace Protectant™

- Approved for use on all Goodrich de-icers
- Near 100 percent prevention of UV-caused slow fade
- Resistance to dust, soiling and staining
- Water-based formula is environmentally friendly
- Apply as needed – no surface stripping required



Aerospace Cleaner™ (32 fl. oz.) P/N 74-451-238-32

### Goodrich® Aerospace Cleaner™

- Approved for use on all Goodrich de-icers
- Can be used on all water-safe materials
- Water-based formula is environmentally friendly
- Apply as needed – no surface stripping required
- Great for removing dirt, grime and bugs

**DE-ICER PATCHES  
AND PIN HOLE KITS  
ALSO AVAILABLE**



AgeMaster® #1 P/N 74-451-127

### AgeMaster® #1

- Rubber preservative that protects against weathering, ozone and ultraviolet rays
- Apply six months after new de-icer is installed
- Reapply every 150 flight hours (twice yearly)
- One quart covers approximately 90 sq. ft. (8.3 sq. m.)



ICEX®II - 6oz  
ICEX®II - Pump  
ICEX®II - Quart

### ICEX®II

- Ice adhesion inhibitor that enhances de-icer performance
- Apply every 50 flight hours during icing season
- One quart covers approximately 400 sq. ft. (37 sq. m)



ShineMaster™ Prep P/N 74-451-179  
ShineMaster™ P/N 74-451-178

### ShineMaster™

- Cosmetic coating that provides a high-luster shine
- Clean de-icer with ShineMaster Prep before applying 2-3 light coats
- One pint covers approximately 200 sq. ft. (18.6 sq. m)
- Reapply as desired

Specifications subject to change without notice.

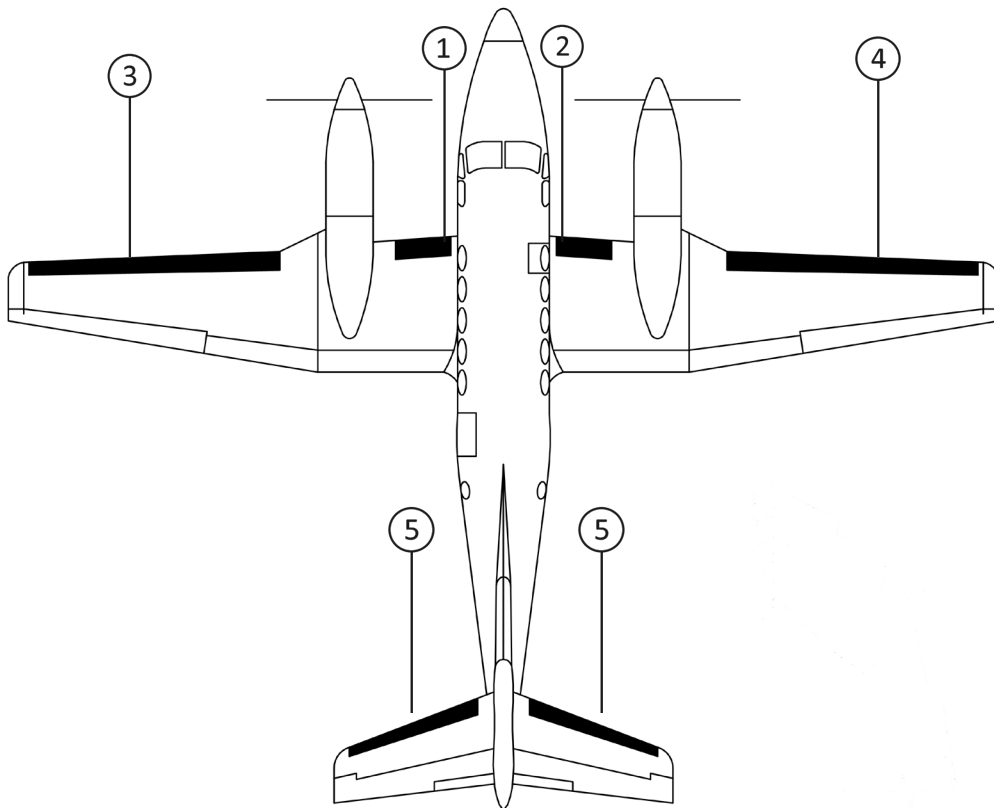


**BEECHCRAFT A200 (SUPER KING AIR)**
**STANDARD DE-ICE BOOTS**

POSITION ID	GOODRICH PART NUMBER	AIRCRAFT OEM P/N	DESCRIPTION	QTY PER AIRCRAFT	WT
1	25S-7D5041-07	101-380001-7	INBOARD WING LH DE-ICE BOOT	1	1.6
2	25S-7D5041-08	101-380001-8	INBOARD WING RH DE-ICE BOOT	1	1.6
3	25S-7D5041-01	101-380001-1	OUTBOARD WING LH DE-ICE BOOT	1	6.2
4	25S-7D5041-02	101-380001-2	OUTBOARD WING RH DE-ICE BOOT	1	6.2
5	25S-7D5041-05	101-380001-5	HORIZONTAL STABILIZER LH/ RH DE-ICE BOOT	2	2.8

**FASTboot® DE-ICE BOOTS**

POSITION ID	GOODRICH PART NUMBER	AIRCRAFT OEM P/N	DESCRIPTION	QTY PER AIRCRAFT	WT
1	P25S-7D5041-07	101-380001-25	FASTBOOT® INBOARD WING LH DE-ICE BOOT	1	1.6
2	P25S-7D5041-08	101-380001-26	FASTBOOT® INBOARD WING RH DE-ICE BOOT	1	1.6
3	P25S-7D5041-01	101-380001-21	FASTBOOT® OUTBOARD WING LH DE-ICE BOOT	1	6.2
4	P25S-7D5041-02	101-380001-22	FASTBOOT® OUTBOARD WING RH DE-ICE BOOT	1	6.2
5	P25S-7D5041-05	101-380001-23	FASTBOOT® HORIZONTAL STABILIZER LH/RH DE-ICE BOOT	2	2.8

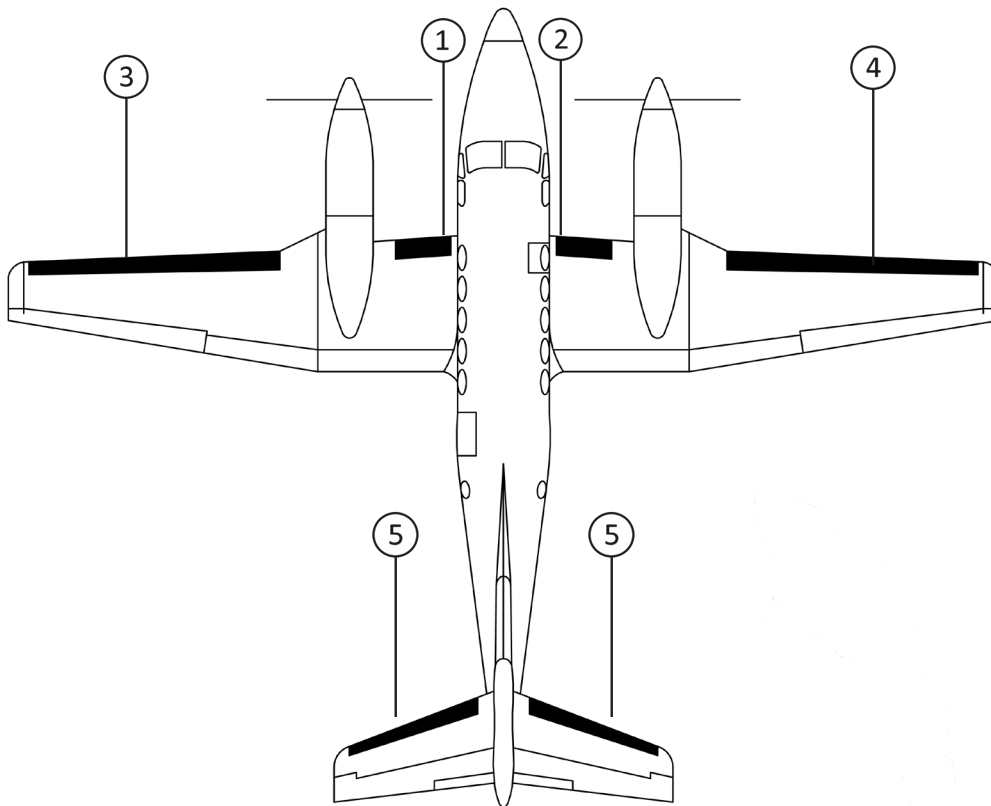

**BEECHCRAFT A200 (SUPER KING AIR)**

**BEECHCRAFT A200C (SUPER KING AIR)**
**STANDARD DE-ICE BOOTS**

POSITION ID	GOODRICH PART NUMBER	AIRCRAFT OEM P/N	DESCRIPTION	QTY PER AIRCRAFT	WT
1	25S-7D5041-07	101-380001-7	INBOARD WING LH DE-ICE BOOT	1	1.6
2	25S-7D5041-08	101-380001-8	INBOARD WING RH DE-ICE BOOT	1	1.6
3	25S-7D5041-01	101-380001-1	OUTBOARD WING LH DE-ICE BOOT	1	6.2
4	25S-7D5041-02	101-380001-2	OUTBOARD WING RH DE-ICE BOOT	1	6.2
5	25S-7D5041-05	101-380001-5	HORIZONTAL STABILIZER LH/ RH DE-ICE BOOT	2	2.8

**FASTboot® DE-ICE BOOTS**

POSITION ID	GOODRICH PART NUMBER	AIRCRAFT OEM P/N	DESCRIPTION	QTY PER AIRCRAFT	WT
1	P25S-7D5041-07	101-380001-25	FASTBOOT® INBOARD WING LH DE-ICE BOOT	1	1.6
2	P25S-7D5041-08	101-380001-26	FASTBOOT® INBOARD WING RH DE-ICE BOOT	1	1.6
3	P25S-7D5041-01	101-380001-21	FASTBOOT® OUTBOARD WING LH DE-ICE BOOT	1	6.2
4	P25S-7D5041-02	101-380001-22	FASTBOOT® OUTBOARD WING RH DE-ICE BOOT	1	6.2
5	P25S-7D5041-05	101-380001-23	FASTBOOT® HORIZONTAL STABILIZER LH/RH DE-ICE BOOT	2	2.8

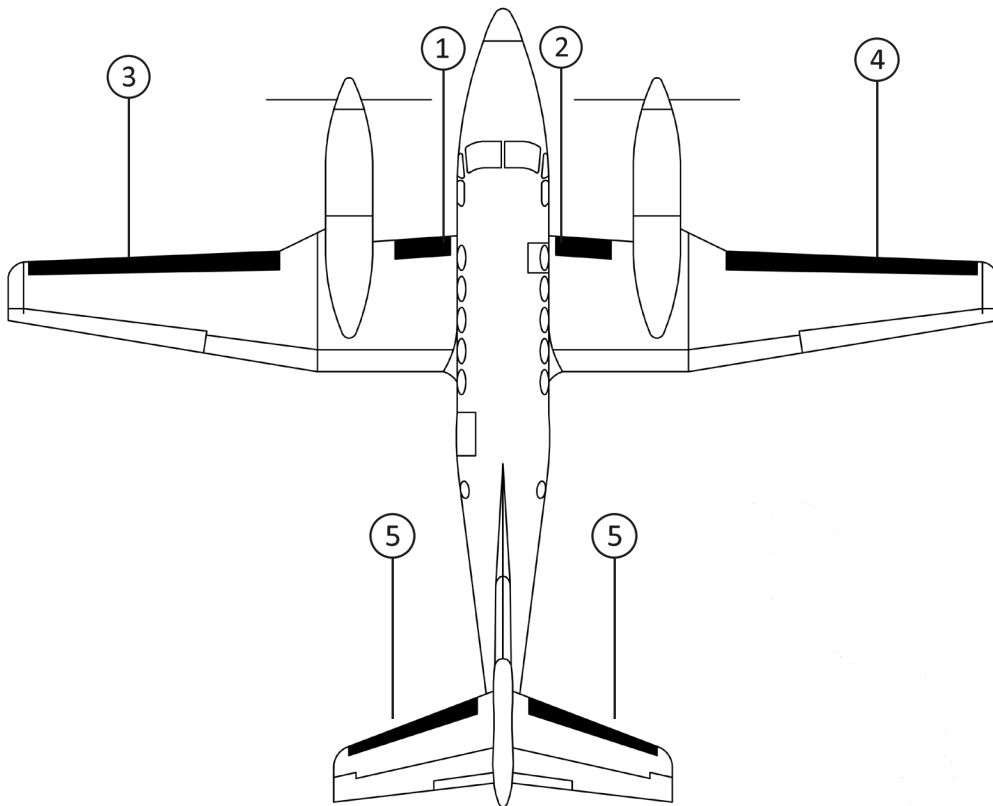

**BEECHCRAFT A200C (SUPER KING AIR)**

**BEECHCRAFT A200CT (SUPER KING AIR)**
**STANDARD DE-ICE BOOTS**

POSITION ID	GOODRICH PART NUMBER	AIRCRAFT OEM P/N	DESCRIPTION	QTY PER AIRCRAFT	WT
1	25S-7D5041-07	101-380001-7	INBOARD WING LH DE-ICE BOOT	1	1.6
2	25S-7D5041-08	101-380001-8	INBOARD WING RH DE-ICE BOOT	1	1.6
3	25S-7D5041-01	101-380001-1	OUTBOARD WING LH DE-ICE BOOT	1	6.2
4	25S-7D5041-02	101-380001-2	OUTBOARD WING RH DE-ICE BOOT	1	6.2
5	25S-7D5041-05	101-380001-5	HORIZONTAL STABILIZER LH/ RH DE-ICE BOOT	2	2.8

**FASTboot® DE-ICE BOOTS**

POSITION ID	GOODRICH PART NUMBER	AIRCRAFT OEM P/N	DESCRIPTION	QTY PER AIRCRAFT	WT
1	P25S-7D5041-07	101-380001-25	FASTBOOT® INBOARD WING LH DE-ICE BOOT	1	1.6
2	P25S-7D5041-08	101-380001-26	FASTBOOT® INBOARD WING RH DE-ICE BOOT	1	1.6
3	P25S-7D5041-01	101-380001-21	FASTBOOT® OUTBOARD WING LH DE-ICE BOOT	1	6.2
4	P25S-7D5041-02	101-380001-22	FASTBOOT® OUTBOARD WING RH DE-ICE BOOT	1	6.2
5	P25S-7D5041-05	101-380001-23	FASTBOOT® HORIZONTAL STABILIZER LH/RH DE-ICE BOOT	2	2.8

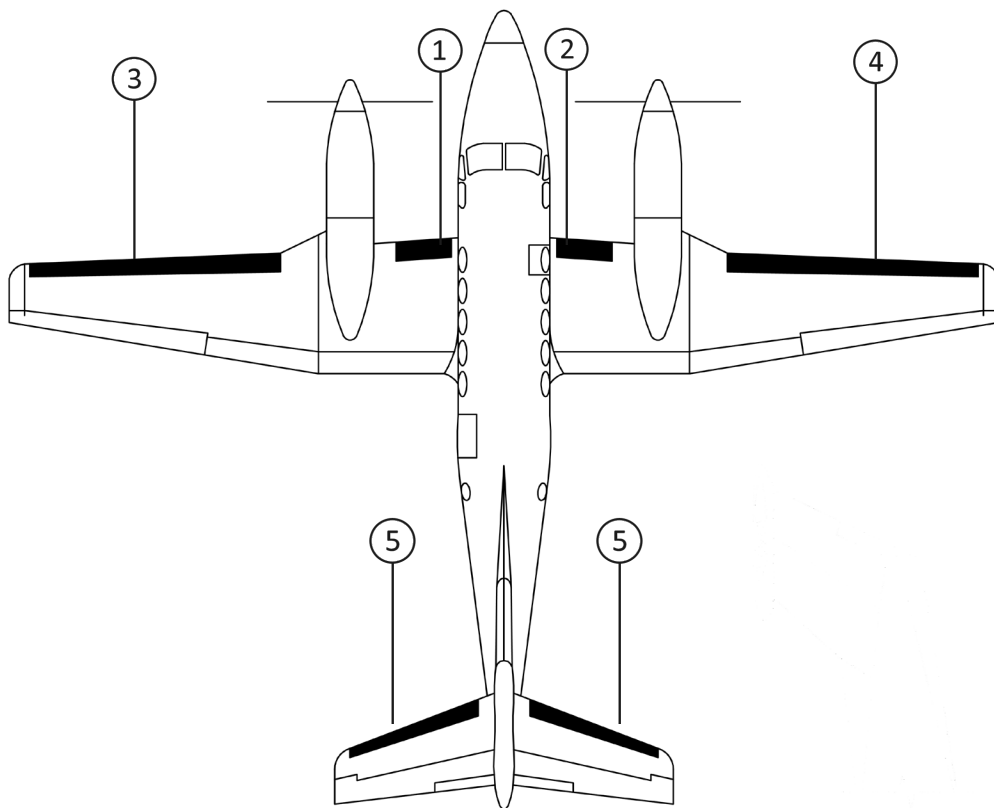

**BEECHCRAFT A200CT (SUPER KING AIR)**

**BEECHCRAFT B200 (SUPER KING AIR)**
**STANDARD DE-ICE BOOTS**

POSITION ID	GOODRICH PART NUMBER	AIRCRAFT OEM P/N	DESCRIPTION	QTY PER AIRCRAFT	WT
1	25S-7D5041-07	101-380001-7	INBOARD WING LH DE-ICE BOOT	1	1.6
2	25S-7D5041-08	101-380001-8	INBOARD WING RH DE-ICE BOOT	1	1.6
3	25S-7D5041-01	101-380001-1	OUTBOARD WING LH DE-ICE BOOT	1	6.2
4	25S-7D5041-02	101-380001-2	OUTBOARD WING RH DE-ICE BOOT	1	6.2
5	25S-7D5041-05	101-380001-5	HORIZONTAL STABILIZER LH/ RH DE-ICE BOOT	2	2.8

**FASTboot® DE-ICE BOOTS**

POSITION ID	GOODRICH PART NUMBER	AIRCRAFT OEM P/N	DESCRIPTION	QTY PER AIRCRAFT	WT
1	P25S-7D5041-07	101-380001-25	FASTBOOT® INBOARD WING LH DE-ICE BOOT	1	1.6
2	P25S-7D5041-08	101-380001-26	FASTBOOT® INBOARD WING RH DE-ICE BOOT	1	1.6
3	P25S-7D5041-01	101-380001-21	FASTBOOT® OUTBOARD WING LH DE-ICE BOOT	1	6.2
4	P25S-7D5041-02	101-380001-22	FASTBOOT® OUTBOARD WING RH DE-ICE BOOT	1	6.2
5	P25S-7D5041-05	101-380001-23	FASTBOOT® HORIZONTAL STABILIZER LH/RH DE-ICE BOOT	2	2.8

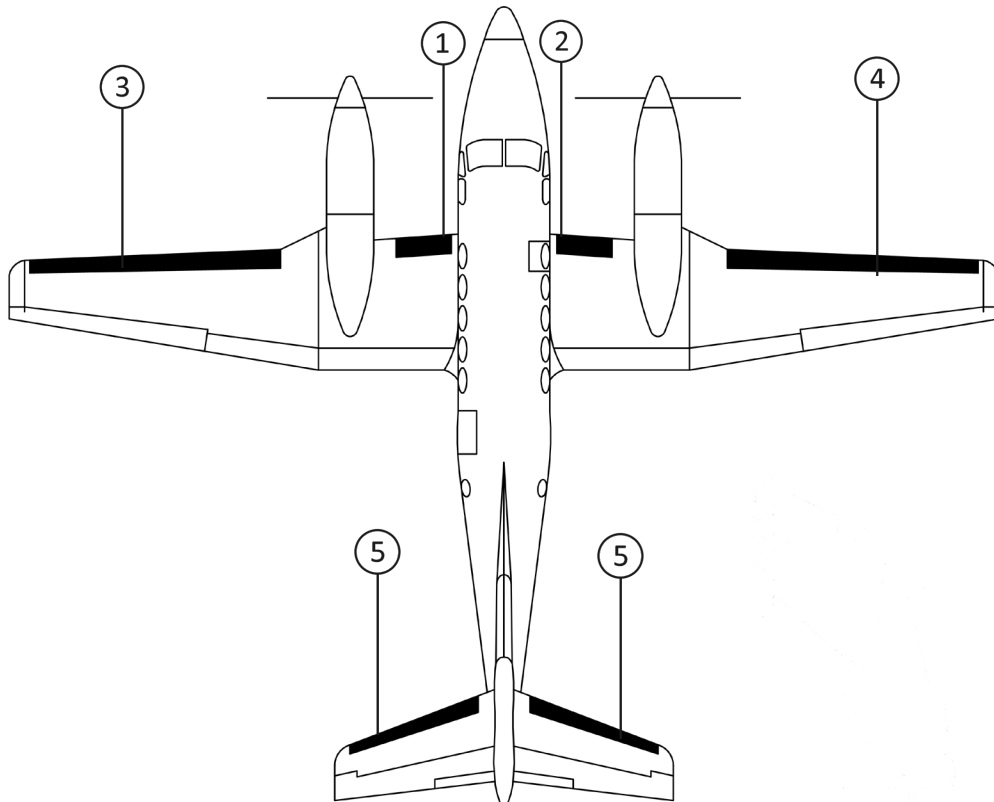

**BEECHCRAFT B200 (SUPER KING AIR)**

**BEECHCRAFT B200 WITH BLR WINGLETS (SUPER KING AIR)**
**STANDARD DE-ICE BOOTS**

POSITION ID	GOODRICH PART NUMBER	AIRCRAFT OEM P/N	DESCRIPTION	QTY PER AIRCRAFT	WT
1	25S-7D5041-07	101-380001-7	INBOARD WING LH DE-ICE BOOT	1	1.6
2	25S-7D5041-08	101-380001-8	INBOARD WING RH DE-ICE BOOT	1	1.6
3	29S4D5041-91		OUTBOARD WING LH DE-ICE BOOT W/ BLR WINGLETS (REPLACES SMR5041-91)	1	7.2
4	29S4D5041-92		OUTBOARD WING LH DE-ICE BOOT W/ BLR WINGLETS (REPLACES SMR5041-91)	1	6.8
5	25S-7D5041-05	101-380001-5	HORIZONTAL STABILIZER LH/ RH DE-ICE BOOT	2	2.8

**FASTboot® DE-ICE BOOTS**

POSITION ID	GOODRICH PART NUMBER	AIRCRAFT OEM P/N	DESCRIPTION	QTY PER AIRCRAFT	WT
1	P25S-7D5041-07	101-380001-25	FASTBOOT® INBOARD WING LH DE-ICE BOOT	1	1.6
2	P25S-7D5041-08	101-380001-26	FASTBOOT® INBOARD WING RH DE-ICE BOOT	1	1.6
3	P29S4D5041-91		FASTBOOT® OUTBOARD WING LH DE-ICE BOOT W/ BLR WINGLETS (REPLACES SMR5041-91)	1	7.2
4	P29S4D5041-92		FASTBOOT® OUTBOARD WING RH DE-ICE BOOT W/ BLR WINGLETS (REPLACES SMR5041-92)	1	6.8
5	P25S-7D5041-05	101-380001-23	FASTBOOT® HORIZONTAL STABILIZER LH/RH DE-ICE BOOT	2	2.8

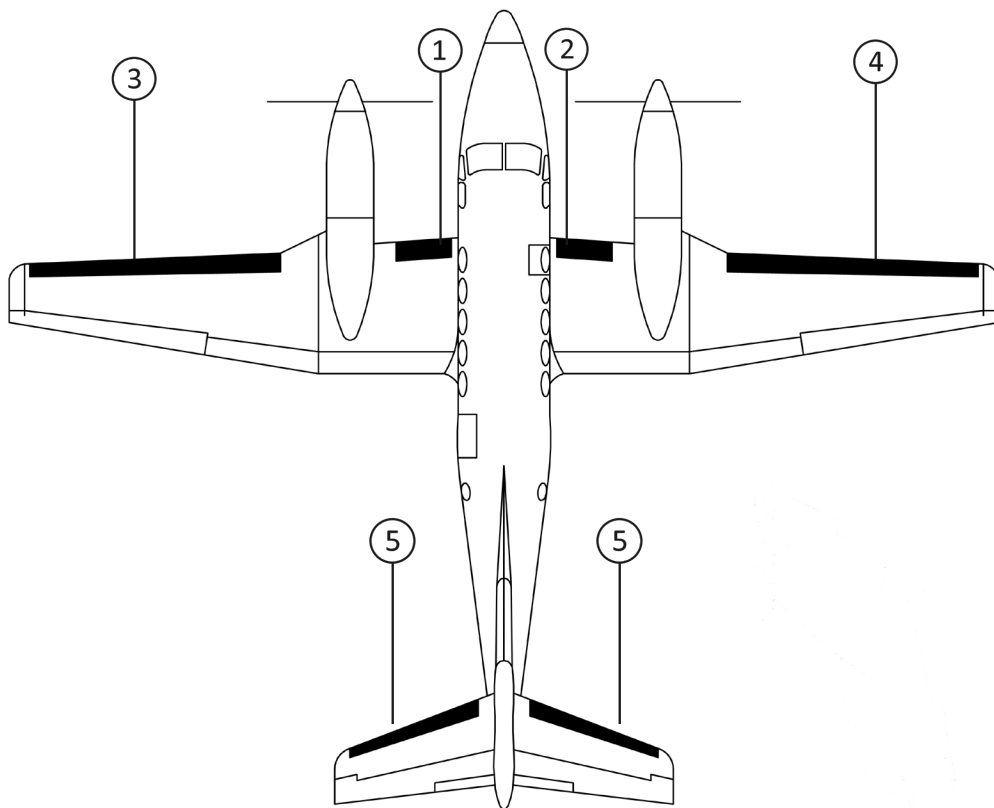

**BEECHCRAFT B200 WITH BLR WINGLETS (SUPER KING AIR)**

**BEECHCRAFT 200C (SUPER KING AIR)**
**STANDARD DE-ICE BOOTS**

POSITION ID	GOODRICH PART NUMBER	AIRCRAFT OEM P/N	DESCRIPTION	QTY PER AIRCRAFT	WT
1	25S-7D5041-07	101-380001-7	INBOARD WING LH DE-ICE BOOT	1	1.6
2	25S-7D5041-08	101-380001-8	INBOARD WING RH DE-ICE BOOT	1	1.6
3	25S-7D5041-01	101-380001-1	OUTBOARD WING LH DE-ICE BOOT	1	6.2
4	25S-7D5041-02	101-380001-2	OUTBOARD WING RH DE-ICE BOOT	1	6.2
5	25S-7D5041-05	101-380001-5	HORIZONTAL STABILIZER LH/ RH DE-ICE BOOT	2	2.8

**FASTboot® DE-ICE BOOTS**

POSITION ID	GOODRICH PART NUMBER	AIRCRAFT OEM P/N	DESCRIPTION	QTY PER AIRCRAFT	WT
1	P25S-7D5041-07	101-380001-25	FASTBOOT® INBOARD WING LH DE-ICE BOOT	1	1.6
2	P25S-7D5041-08	101-380001-26	FASTBOOT® INBOARD WING RH DE-ICE BOOT	1	1.6
3	P25S-7D5041-01	101-380001-21	FASTBOOT® OUTBOARD WING LH DE-ICE BOOT	1	6.2
4	P25S-7D5041-02	101-380001-22	FASTBOOT® OUTBOARD WING RH DE-ICE BOOT	1	6.2
5	P25S-7D5041-05	101-380001-23	FASTBOOT® HORIZONTAL STABILIZER LH/RH DE-ICE BOOT	2	2.8

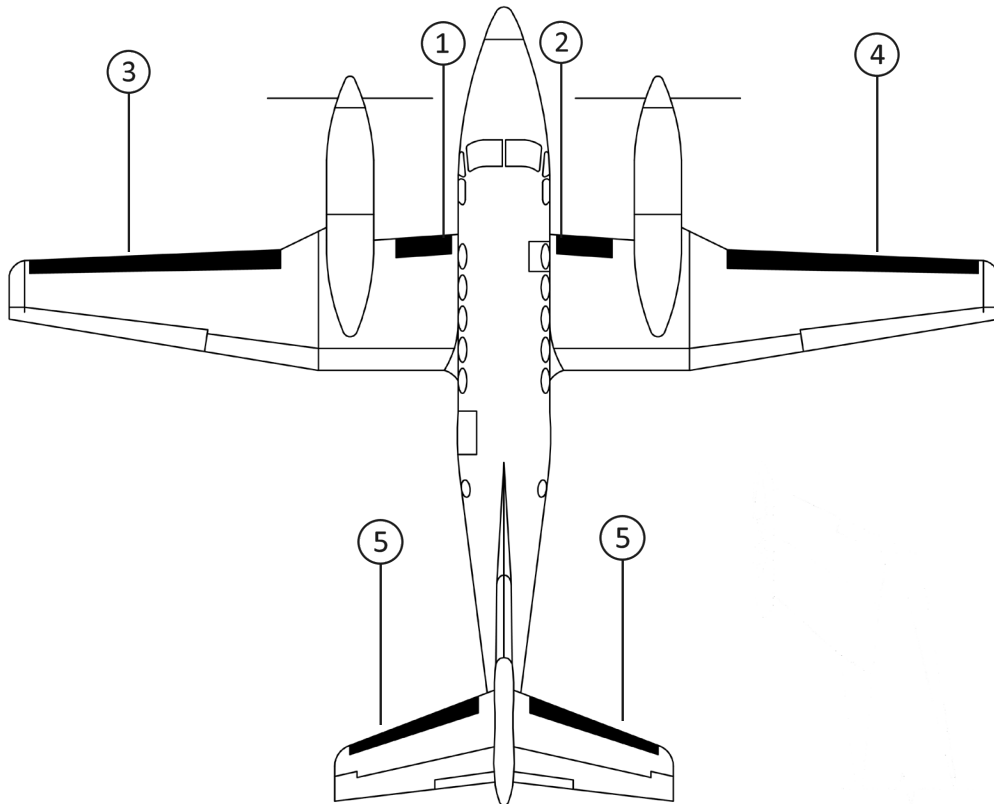

**BEECHCRAFT B200 (SUPER KING AIR)**

**BEECHCRAFT 200C WITH BLR WINGLETS (SUPER KING AIR)**
**STANDARD DE-ICE BOOTS**

POSITION ID	GOODRICH PART NUMBER	AIRCRAFT OEM P/N	DESCRIPTION	QTY PER AIRCRAFT	WT
1	25S-7D5041-07	101-380001-7	INBOARD WING LH DE-ICE BOOT	1	1.6
2	25S-7D5041-08	101-380001-8	INBOARD WING RH DE-ICE BOOT	1	1.6
3	29S4D5041-91		OUTBOARD WING LH DE-ICE BOOT W/ BLR WINGLETS (REPLACES SMR5041-91)	1	7.2
4	29S4D5041-92		OUTBOARD WING RH DE-ICE BOOT W/ BLR WINGLETS (REPLACES SMR5041-92)	1	6.8
5	25S-7D5041-05	101-380001-5	HORIZONTAL STABILIZER LH/ RH DE-ICE BOOT	2	2.8

**FASTboot® DE-ICE BOOTS**

POSITION ID	GOODRICH PART NUMBER	AIRCRAFT OEM P/N	DESCRIPTION	QTY PER AIRCRAFT	WT
1	P25S-7D5041-07	101-380001-25	FASTBOOT® INBOARD WING LH DE-ICE BOOT	1	1.6
2	P25S-7D5041-08	101-380001-26	FASTBOOT® INBOARD WING RH DE-ICE BOOT	1	1.6
3	P29S4D5041-91		FASTBOOT® OUTBOARD WING LH DE-ICE BOOT W/ BLR WINGLETS (REPLACES SMR5041-91)	1	7.2
4	P29S4D5041-92		FASTBOOT® OUTBOARD WING RH DE-ICE BOOT W/ BLR WINGLETS (REPLACES SMR5041-92)	1	6.8
5	P25S-7D5041-05	101-380001-23	FASTBOOT® HORIZONTAL STABILIZER LH/RH DE-ICE BOOT	2	2.8

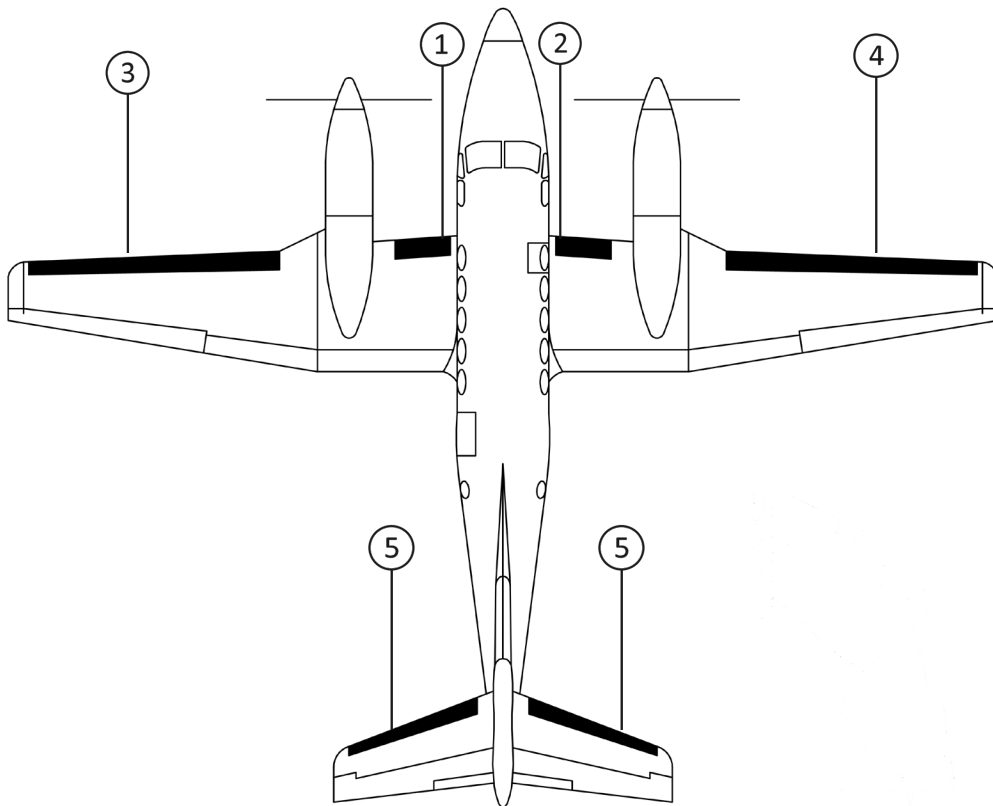

**BEECHCRAFT 200C WITH BLR WINGLETS (SUPER KING AIR)**

**BEECHCRAFT B200C (SUPER KING AIR)**
**STANDARD DE-ICE BOOTS**

POSITION ID	GOODRICH PART NUMBER	AIRCRAFT OEM P/N	DESCRIPTION	QTY PER AIRCRAFT	WT
1	25S-7D5041-07	101-380001-7	INBOARD WING LH DE-ICE BOOT	1	1.6
2	25S-7D5041-08	101-380001-8	INBOARD WING RH DE-ICE BOOT	1	1.6
3	25S-7D5041-01	101-380001-1	OUTBOARD WING LH DE-ICE BOOT	1	6.2
4	25S-7D5041-02	101-380001-2	OUTBOARD WING RH DE-ICE BOOT	1	6.2
5	25S-7D5041-05	101-380001-5	HORIZONTAL STABILIZER LH/ RH DE-ICE BOOT	2	2.8

**FASTboot® DE-ICE BOOTS**

POSITION ID	GOODRICH PART NUMBER	AIRCRAFT OEM P/N	DESCRIPTION	QTY PER AIRCRAFT	WT
1	P25S-7D5041-07	101-380001-25	FASTBOOT® INBOARD WING LH DE-ICE BOOT	1	1.6
2	P25S-7D5041-08	101-380001-26	FASTBOOT® INBOARD WING RH DE-ICE BOOT	1	1.6
3	P25S-7D5041-01	101-380001-21	FASTBOOT® OUTBOARD WING LH DE-ICE BOOT	1	6.2
4	P25S-7D5041-02	101-380001-22	FASTBOOT® OUTBOARD WING RH DE-ICE BOOT	1	6.2
5	P25S-7D5041-05	101-380001-23	FASTBOOT® HORIZONTAL STABILIZER LH/RH DE-ICE BOOT	2	2.8


**BEECHCRAFT B200C (SUPER KING AIR)**

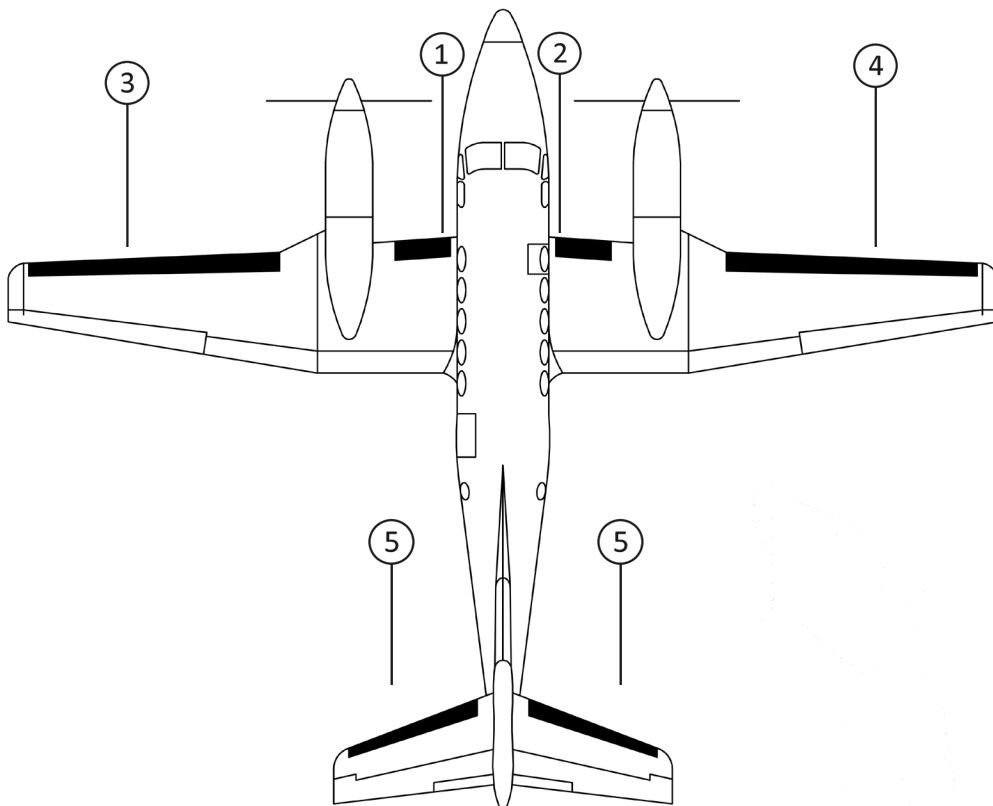


**BEECHCRAFT B200C WITH BLR WINGLETS (SUPER KING AIR)**
**STANDARD DE-ICE BOOTS**

POSITION ID	GOODRICH PART NUMBER	AIRCRAFT OEM P/N	DESCRIPTION	QTY PER AIRCRAFT	WT
1	25S-7D5041-07	101-380001-7	INBOARD WING LH DE-ICE BOOT	1	1.6
2	25S-7D5041-08	101-380001-8	INBOARD WING RH DE-ICE BOOT	1	1.6
3	29S4D5041-91		OUTBOARD WING LH DE-ICE BOOT W/ BLR WINGLETS (REPLACES SMR5041-91)	1	7.2
4	29S4D5041-92		OUTBOARD WING RH DE-ICE BOOT W/ BLR WINGLETS (REPLACES SMR5041-92)	1	6.8
5	25S-7D5041-05	101-380001-5	HORIZONTAL STABILIZER LH/ RH DE-ICE BOOT	2	2.8

**FASTboot® DE-ICE BOOTS**

POSITION ID	GOODRICH PART NUMBER	AIRCRAFT OEM P/N	DESCRIPTION	QTY PER AIRCRAFT	WT
1	P25S-7D5041-07	101-380001-25	FASTBOOT® INBOARD WING LH DE-ICE BOOT	1	1.6
2	P25S-7D5041-08	101-380001-26	FASTBOOT® INBOARD WING RH DE-ICE BOOT	1	1.6
3	29S4D5041-91		FASTBOOT® OUTBOARD WING LH DE-ICE BOOT W/ BLR WINGLETS (REPLACES SMR5041-91)	1	7.2
4	29S4D5041-92		FASTBOOT® OUTBOARD WING RH DE-ICE BOOT W/ BLR WINGLETS (REPLACES SMR5041-92)	1	6.8
5	P25S-7D5041-05	101-380001-23	FASTBOOT® HORIZONTAL STABILIZER LH/RH DE-ICE BOOT	2	2.8


**BEECHCRAFT B200C WITH BLR WINGLETS (SUPER KING AIR)**

## De-ice boot care products



Aerospace Protectant™ (32 fl. oz.) P/N 74-451-237-32

### Goodrich® Aerospace Protectant™

- Approved for use on all Goodrich de-icers
- Near 100 percent prevention of UV-caused slow fade
- Resistance to dust, soiling and staining
- Water-based formula is environmentally friendly
- Apply as needed – no surface stripping required



Aerospace Cleaner™ (32 fl. oz.) P/N 74-451-238-32

### Goodrich® Aerospace Cleaner™

- Approved for use on all Goodrich de-icers
- Can be used on all water-safe materials
- Water-based formula is environmentally friendly
- Apply as needed – no surface stripping required
- Great for removing dirt, grime and bugs

**DE-ICER PATCHES  
AND PIN HOLE KITS  
ALSO AVAILABLE**



AgeMaster® #1 P/N 74-451-127

### AgeMaster® #1

- Rubber preservative that protects against weathering, ozone and ultraviolet rays
- Apply six months after new de-icer is installed
- Reapply every 150 flight hours (twice yearly)
- One quart covers approximately 90 sq. ft. (8.3 sq. m.)



ICEX®II - 6oz  
ICEX®II - Pump  
ICEX®II - Quart

### ICEX®II

- Ice adhesion inhibitor that enhances de-icer performance
- Apply every 50 flight hours during icing season
- One quart covers approximately 400 sq. ft. (37 sq. m)



ShineMaster™ Prep P/N 74-451-179  
ShineMaster™ P/N 74-451-178

### ShineMaster™

- Cosmetic coating that provides a high-luster shine
- Clean de-icer with ShineMaster Prep before applying 2-3 light coats
- One pint covers approximately 200 sq. ft. (18.6 sq. m)
- Reapply as desired

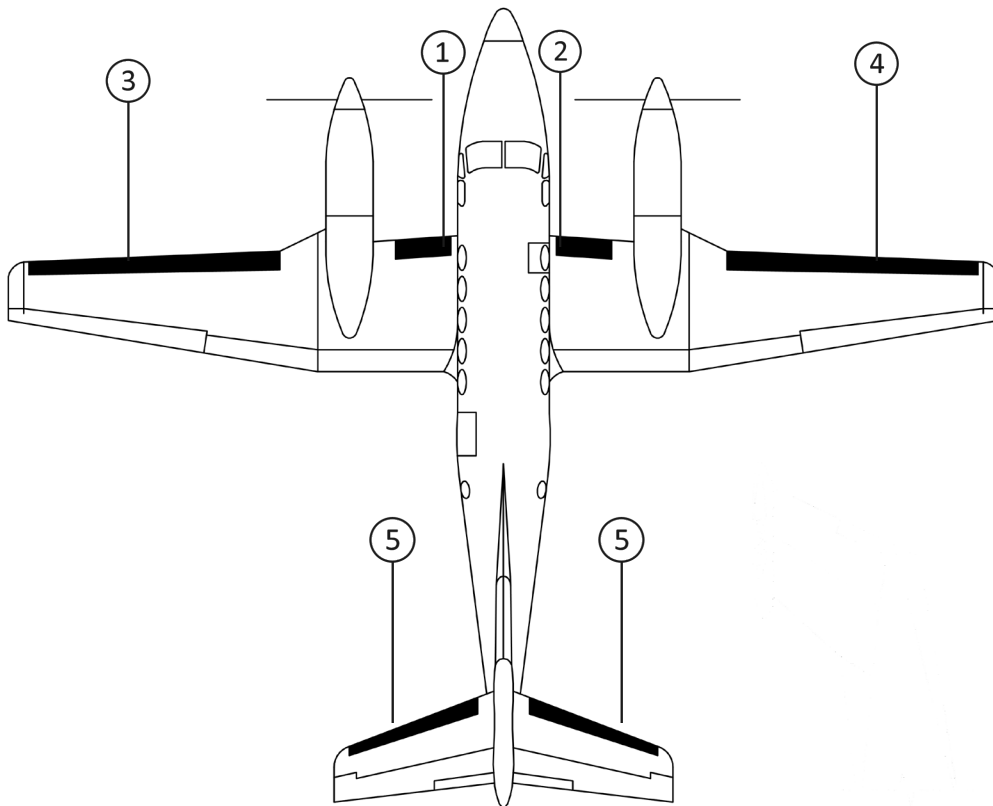
Specifications subject to change without notice.

**BEECHCRAFT 200CT (SUPER KING AIR)**
**STANDARD DE-ICE BOOTS**

POSITION ID	GOODRICH PART NUMBER	AIRCRAFT OEM P/N	DESCRIPTION	QTY PER AIRCRAFT	WT
1	25S-7D5041-07	101-380001-7	INBOARD WING LH DE-ICE BOOT	1	1.6
2	25S-7D5041-08	101-380001-8	INBOARD WING RH DE-ICE BOOT	1	1.6
3	25S-7D5041-01	101-380001-1	OUTBOARD WING LH DE-ICE BOOT	1	6.2
4	25S-7D5041-02	101-380001-2	OUTBOARD WING RH DE-ICE BOOT	1	6.2
5	25S-7D5041-05	101-380001-5	HORIZONTAL STABILIZER LH/ RH DE-ICE BOOT	2	2.8

**FASTboot® DE-ICE BOOTS**

POSITION ID	GOODRICH PART NUMBER	AIRCRAFT OEM P/N	DESCRIPTION	QTY PER AIRCRAFT	WT
1	P25S-7D5041-07	101-380001-25	FASTBOOT® INBOARD WING LH DE-ICE BOOT	1	1.6
2	P25S-7D5041-08	101-380001-26	FASTBOOT® INBOARD WING RH DE-ICE BOOT	1	1.6
3	P25S-7D5041-01	101-380001-21	FASTBOOT® OUTBOARD WING LH DE-ICE BOOT	1	6.2
4	P25S-7D5041-02	101-380001-22	FASTBOOT® OUTBOARD WING RH DE-ICE BOOT	1	6.2
5	P25S-7D5041-05	101-380001-23	FASTBOOT® HORIZONTAL STABILIZER LH/RH DE-ICE BOOT	2	2.8

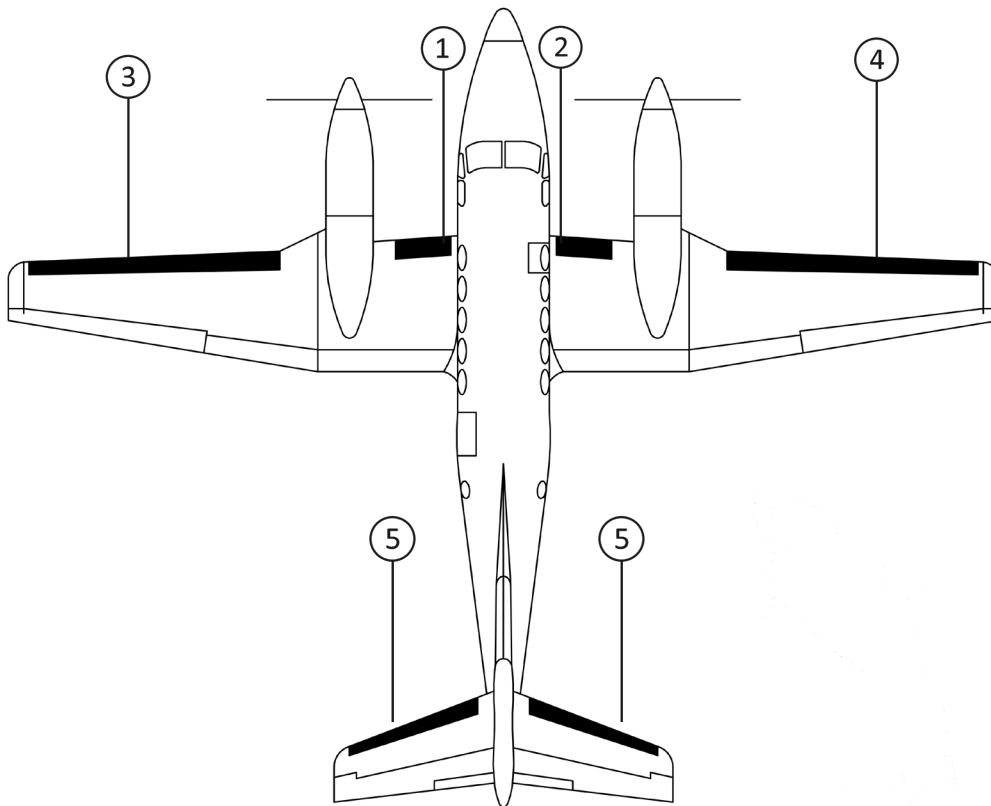

**BEECHCRAFT 200CT (SUPER KING AIR)**

**BEECHCRAFT B200CT (SUPER KING AIR)**
**STANDARD DE-ICE BOOTS**

POSITION ID	GOODRICH PART NUMBER	AIRCRAFT OEM P/N	DESCRIPTION	QTY PER AIRCRAFT	WT
1	25S-7D5041-07	101-380001-7	INBOARD WING LH DE-ICE BOOT	1	1.6
2	25S-7D5041-08	101-380001-8	INBOARD WING RH DE-ICE BOOT	1	1.6
3	25S-7D5041-01	101-380001-1	OUTBOARD WING LH DE-ICE BOOT	1	6.2
4	25S-7D5041-02	101-380001-2	OUTBOARD WING RH DE-ICE BOOT	1	6.2
5	25S-7D5041-05	101-380001-5	HORIZONTAL STABILIZER LH/ RH DE-ICE BOOT	2	2.8

**FASTboot® DE-ICE BOOTS**

POSITION ID	GOODRICH PART NUMBER	AIRCRAFT OEM P/N	DESCRIPTION	QTY PER AIRCRAFT	WT
1	P25S-7D5041-07	101-380001-25	FASTBOOT® INBOARD WING LH DE-ICE BOOT	1	1.6
2	P25S-7D5041-08	101-380001-26	FASTBOOT® INBOARD WING RH DE-ICE BOOT	1	1.6
3	P25S-7D5041-01	101-380001-21	FASTBOOT® OUTBOARD WING LH DE-ICE BOOT	1	6.2
4	P25S-7D5041-02	101-380001-22	FASTBOOT® OUTBOARD WING RH DE-ICE BOOT	1	6.2
5	P25S-7D5041-05	101-380001-23	FASTBOOT® HORIZONTAL STABILIZER LH/RH DE-ICE BOOT	2	2.8

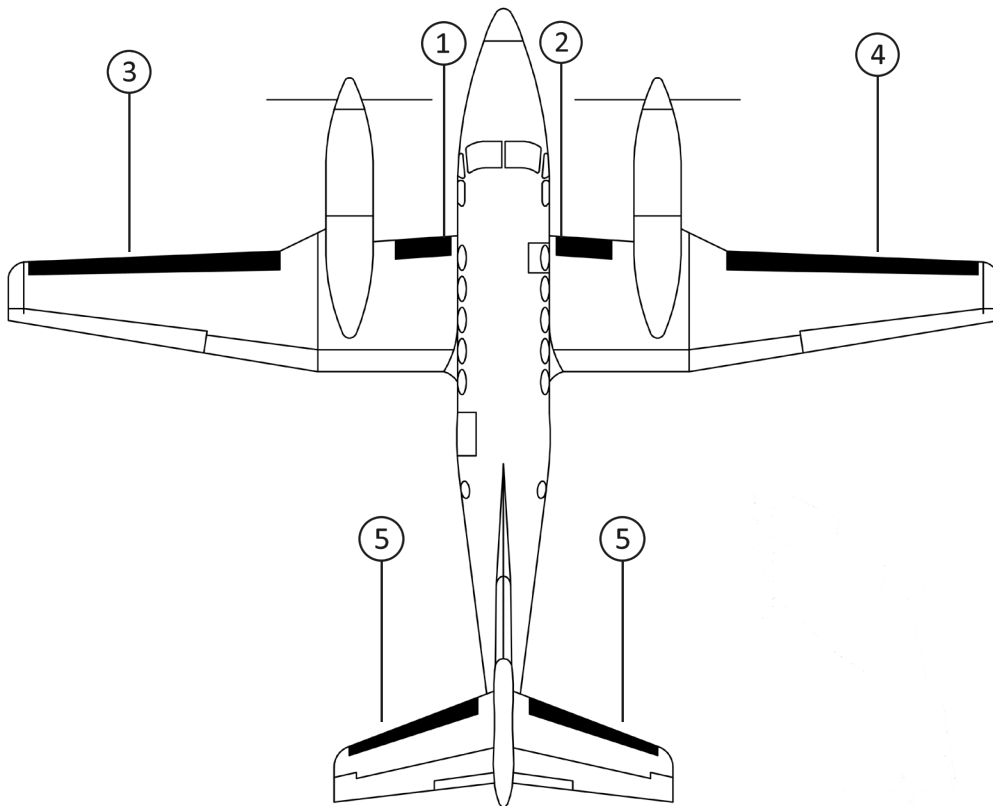

**BEECHCRAFT B200CT (SUPER KING AIR)**

**BEECHCRAFT 200T (SUPER KING AIR)**
**STANDARD DE-ICE BOOTS**

POSITION ID	GOODRICH PART NUMBER	AIRCRAFT OEM P/N	DESCRIPTION	QTY PER AIRCRAFT	WT
1	25S-7D5041-07	101-380001-7	INBOARD WING LH DE-ICE BOOT	1	1.6
2	25S-7D5041-08	101-380001-8	INBOARD WING RH DE-ICE BOOT	1	1.6
3	25S-7D5041-01	101-380001-1	OUTBOARD WING LH DE-ICE BOOT	1	6.2
4	25S-7D5041-02	101-380001-2	OUTBOARD WING RH DE-ICE BOOT	1	6.2
5	25S-7D5041-05	101-380001-5	HORIZONTAL STABILIZER LH/ RH DE-ICE BOOT	2	2.8

**FASTboot® DE-ICE BOOTS**

POSITION ID	GOODRICH PART NUMBER	AIRCRAFT OEM P/N	DESCRIPTION	QTY PER AIRCRAFT	WT
1	P25S-7D5041-07	101-380001-25	FASTBOOT® INBOARD WING LH DE-ICE BOOT	1	1.6
2	P25S-7D5041-08	101-380001-26	FASTBOOT® INBOARD WING RH DE-ICE BOOT	1	1.6
3	P25S-7D5041-01	101-380001-21	FASTBOOT® OUTBOARD WING LH DE-ICE BOOT	1	6.2
4	P25S-7D5041-02	101-380001-22	FASTBOOT® OUTBOARD WING RH DE-ICE BOOT	1	6.2
5	P25S-7D5041-05	101-380001-23	FASTBOOT® HORIZONTAL STABILIZER LH/RH DE-ICE BOOT	2	2.8

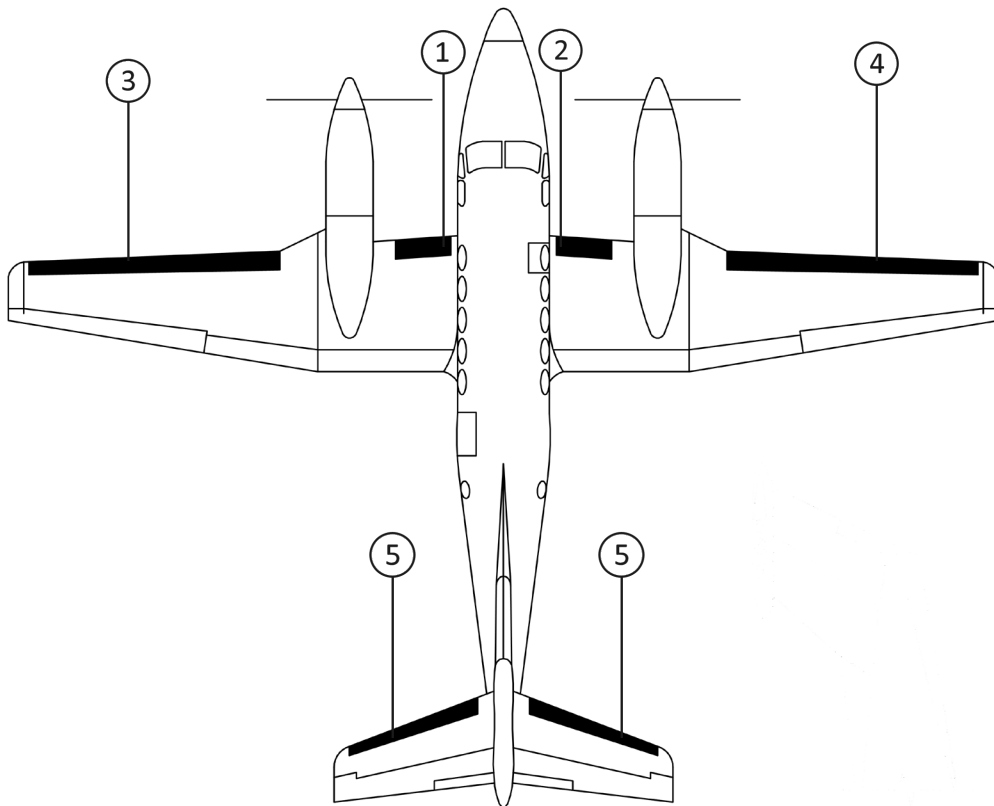

**BEECHCRAFT 200T (SUPER KING AIR)**

**BEECHCRAFT B200T (SUPER KING AIR)**
**STANDARD DE-ICE BOOTS**

POSITION ID	GOODRICH PART NUMBER	AIRCRAFT OEM P/N	DESCRIPTION	QTY PER AIRCRAFT	WT
1	25S-7D5041-07	101-380001-7	INBOARD WING LH DE-ICE BOOT	1	1.6
2	25S-7D5041-08	101-380001-8	INBOARD WING RH DE-ICE BOOT	1	1.6
3	25S-7D5041-01	101-380001-1	OUTBOARD WING LH DE-ICE BOOT	1	6.2
4	25S-7D5041-02	101-380001-2	OUTBOARD WING RH DE-ICE BOOT	1	6.2
5	25S-7D5041-05	101-380001-5	HORIZONTAL STABILIZER LH/ RH DE-ICE BOOT	2	2.8

**FASTboot® DE-ICE BOOTS**

POSITION ID	GOODRICH PART NUMBER	AIRCRAFT OEM P/N	DESCRIPTION	QTY PER AIRCRAFT	WT
1	P25S-7D5041-07	101-380001-25	FASTBOOT® INBOARD WING LH DE-ICE BOOT	1	1.6
2	P25S-7D5041-08	101-380001-26	FASTBOOT® INBOARD WING RH DE-ICE BOOT	1	1.6
3	P25S-7D5041-01	101-380001-21	FASTBOOT® OUTBOARD WING LH DE-ICE BOOT	1	6.2
4	P25S-7D5041-02	101-380001-22	FASTBOOT® OUTBOARD WING RH DE-ICE BOOT	1	6.2
5	P25S-7D5041-05	101-380001-23	FASTBOOT® HORIZONTAL STABILIZER LH/RH DE-ICE BOOT	2	2.8

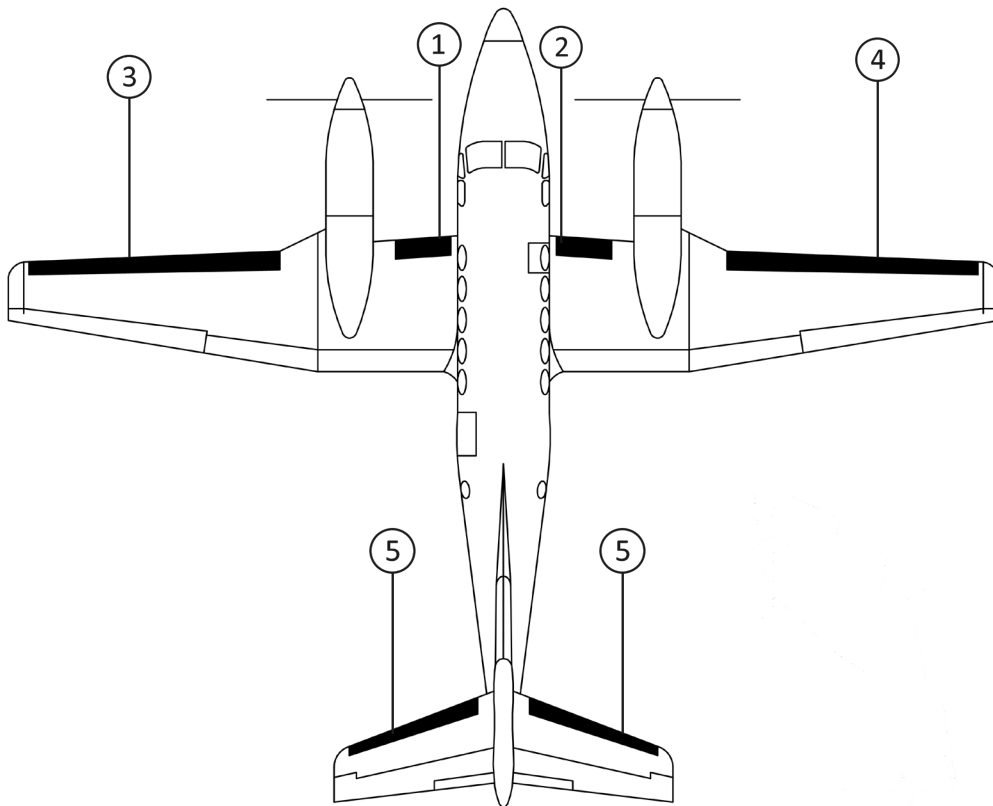

**BEECHCRAFT B200T (SUPER KING AIR)**

**BEECHCRAFT B200GT (SUPER KING AIR)**
**STANDARD DE-ICE BOOTS**

POSITION ID	GOODRICH PART NUMBER	AIRCRAFT OEM P/N	DESCRIPTION	QTY PER AIRCRAFT	WT
1	25S-7D5041-07	101-380001-7	INBOARD WING LH DE-ICE BOOT	1	1.6
2	25S-7D5041-08	101-380001-8	INBOARD WING RH DE-ICE BOOT	1	1.6
3	25S-7D5041-01	101-380001-1	OUTBOARD WING LH DE-ICE BOOT	1	6.2
4	25S-7D5041-02	101-380001-2	OUTBOARD WING RH DE-ICE BOOT	1	6.2
5	25S-7D5041-05	101-380001-5	HORIZONTAL STABILIZER LH/ RH DE-ICE BOOT	2	2.8

**FASTboot® DE-ICE BOOTS**

POSITION ID	GOODRICH PART NUMBER	AIRCRAFT OEM P/N	DESCRIPTION	QTY PER AIRCRAFT	WT
1	P25S-7D5041-07	101-380001-25	FASTBOOT® INBOARD WING LH DE-ICE BOOT	1	1.6
2	P25S-7D5041-08	101-380001-26	FASTBOOT® INBOARD WING RH DE-ICE BOOT	1	1.6
3	P25S-7D5041-01	101-380001-21	FASTBOOT® OUTBOARD WING LH DE-ICE BOOT	1	6.2
4	P25S-7D5041-02	101-380001-22	FASTBOOT® OUTBOARD WING RH DE-ICE BOOT	1	6.2
5	P25S-7D5041-05	101-380001-23	FASTBOOT® HORIZONTAL STABILIZER LH/RH DE-ICE BOOT	2	2.8


**BEECHCRAFT B200GT (SUPER KING AIR)**

## De-ice boot care products



Aerospace Protectant™ (32 fl. oz.) P/N 74-451-237-32

### Goodrich® Aerospace Protectant™

- Approved for use on all Goodrich de-icers
- Near 100 percent prevention of UV-caused slow fade
- Resistance to dust, soiling and staining
- Water-based formula is environmentally friendly
- Apply as needed – no surface stripping required



Aerospace Cleaner™ (32 fl. oz.) P/N 74-451-238-32

### Goodrich® Aerospace Cleaner™

- Approved for use on all Goodrich de-icers
- Can be used on all water-safe materials
- Water-based formula is environmentally friendly
- Apply as needed – no surface stripping required
- Great for removing dirt, grime and bugs

**DE-ICER PATCHES  
AND PIN HOLE KITS  
ALSO AVAILABLE**



AgeMaster® #1 P/N 74-451-127

### AgeMaster® #1

- Rubber preservative that protects against weathering, ozone and ultraviolet rays
- Apply six months after new de-icer is installed
- Reapply every 150 flight hours (twice yearly)
- One quart covers approximately 90 sq. ft. (8.3 sq. m.)



ICEX®II - 6oz  
ICEX®II - Pump  
ICEX®II - Quart

### ICEX®II

- Ice adhesion inhibitor that enhances de-icer performance
- Apply every 50 flight hours during icing season
- One quart covers approximately 400 sq. ft. (37 sq. m)



ShineMaster™ Prep P/N 74-451-179  
ShineMaster™ P/N 74-451-178

### ShineMaster™

- Cosmetic coating that provides a high-luster shine
- Clean de-icer with ShineMaster Prep before applying 2-3 light coats
- One pint covers approximately 200 sq. ft. (18.6 sq. m)
- Reapply as desired

Specifications subject to change without notice.

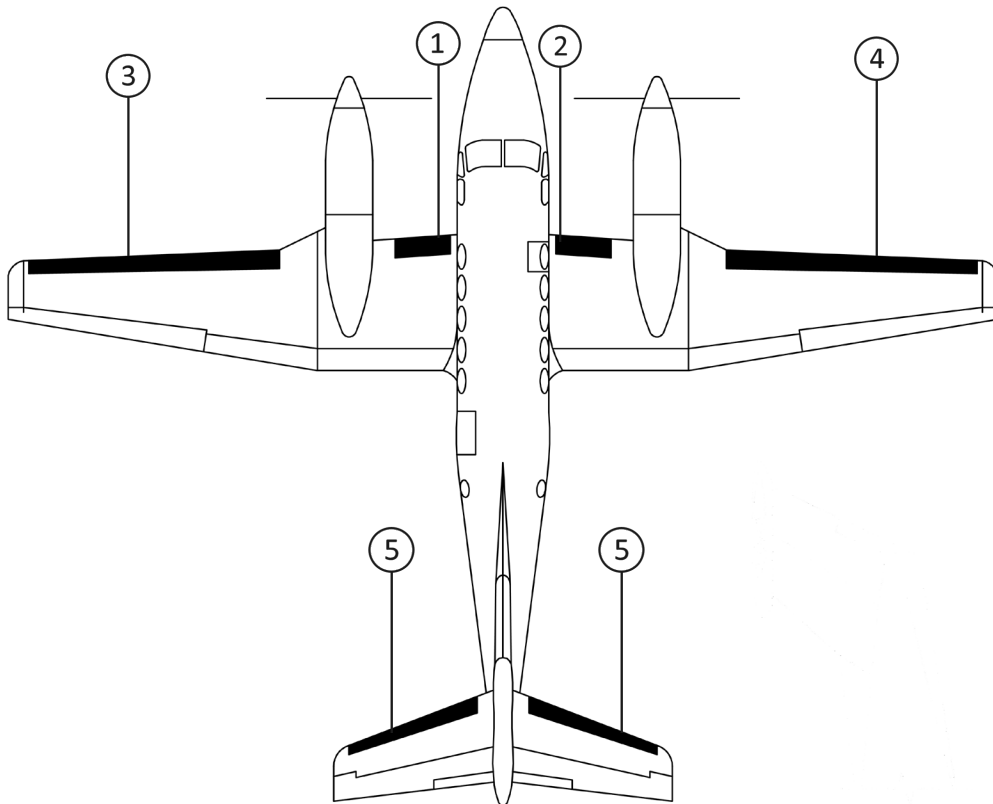


**BEECHCRAFT B200GT WITH BLR WINGLETS (SUPER KING AIR)**
**STANDARD DE-ICE BOOTS**

POSITION ID	GOODRICH PART NUMBER	AIRCRAFT OEM P/N	DESCRIPTION	QTY PER AIRCRAFT	WT
1	25S-7D5041-07	101-380001-7	INBOARD WING LH DE-ICE BOOT	1	1.6
2	25S-7D5041-08	101-380001-8	INBOARD WING RH DE-ICE BOOT	1	1.6
3	29S4D5041-91		OUTBOARD WING LH DE-ICE BOOT W/ BLR WINGLETS (REPLACES SMR5041-91)	1	7.2
4	29S4D5041-92		OUTBOARD WING RH DE-ICE BOOT W/ BLR WINGLETS (REPLACES SMR5041-92)	1	6.8
5	25S-7D5041-05	101-380001-5	HORIZONTAL STABILIZER LH/ RH DE-ICE BOOT	2	2.8

**FASTboot® DE-ICE BOOTS**

POSITION ID	GOODRICH PART NUMBER	AIRCRAFT OEM P/N	DESCRIPTION	QTY PER AIRCRAFT	WT
1	P25S-7D5041-07	101-380001-25	FASTBOOT® INBOARD WING LH DE-ICE BOOT	1	1.6
2	P25S-7D5041-08	101-380001-26	FASTBOOT® INBOARD WING RH DE-ICE BOOT	1	1.6
3	P29S4D5041-91		FASTBOOT® OUTBOARD WING LH DE-ICE BOOT W/ BLR WINGLETS (REPLACES SMR5041-91)	1	7.2
4	P29S4D5041-92		FASTBOOT® OUTBOARD WING RH DE-ICE BOOT W/ BLR WINGLETS (REPLACES SMR5041-92)	1	6.8
5	P25S-7D5041-05	101-380001-23	FASTBOOT® HORIZONTAL STABILIZER LH/RH DE-ICE BOOT	2	2.8


**BEECHCRAFT B200GT WITH BLR WINGLETS (SUPER KING AIR)**

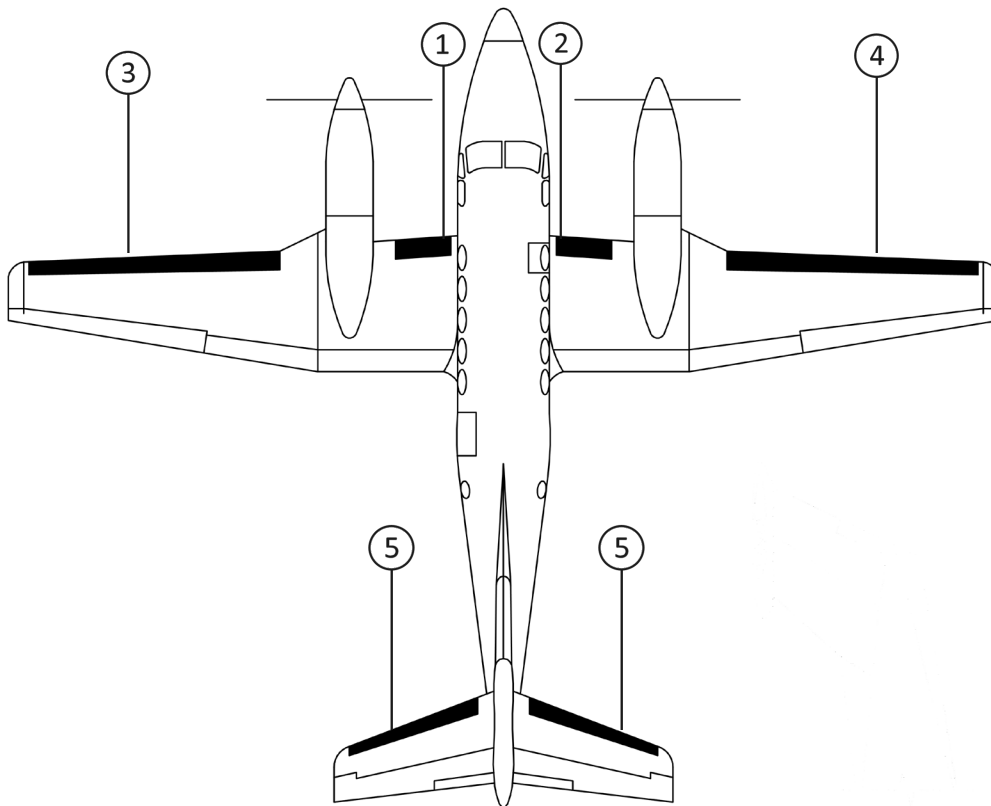
**BEECHCRAFT RAISBECK CONVERSION 200 (SUPER KING AIR)**

**STANDARD DE-ICE BOOTS**

POSITION ID	GOODRICH PART NUMBER	AIRCRAFT OEM P/N	DESCRIPTION	QTY PER AIRCRAFT	WT
1	25S-7D5041-13		INBOARD WING LH DE-ICE BOOT	1	1.5
2	25S-7D5041-14		INBOARD WING RH DE-ICE BOOT	1	1.5
3	25S-7D5041-01	101-380001-1	OUTBOARD WING LH DE-ICE BOOT	1	6.2
4	25S-7D5041-02	101-380001-2	OUTBOARD WING RH DE-ICE BOOT	1	6.2
5	25S-7D5041-05	101-380001-5	HORIZONTAL STABILIZER LH/ RH DE-ICE BOOT	2	2.8

**FASTboot® DE-ICE BOOTS**

POSITION ID	GOODRICH PART NUMBER	AIRCRAFT OEM P/N	DESCRIPTION	QTY PER AIRCRAFT	WT
3	P25S-7D5041-01	101-380001-21	FASTBOOT® OUTBOARD WING LH DE-ICE BOOT	1	6.2
4	P25S-7D5041-02	101-380001-22	FASTBOOT® OUTBOARD WING RH DE-ICE BOOT	1	6.2
5	P25S-7D5041-05	101-380001-23	FASTBOOT® HORIZONTAL STABILIZER LH/RH DE-ICE BOOT	1	2.8



**BEECHCRAFT RAISBECK CONVERSION 200 (SUPER KING AIR)**

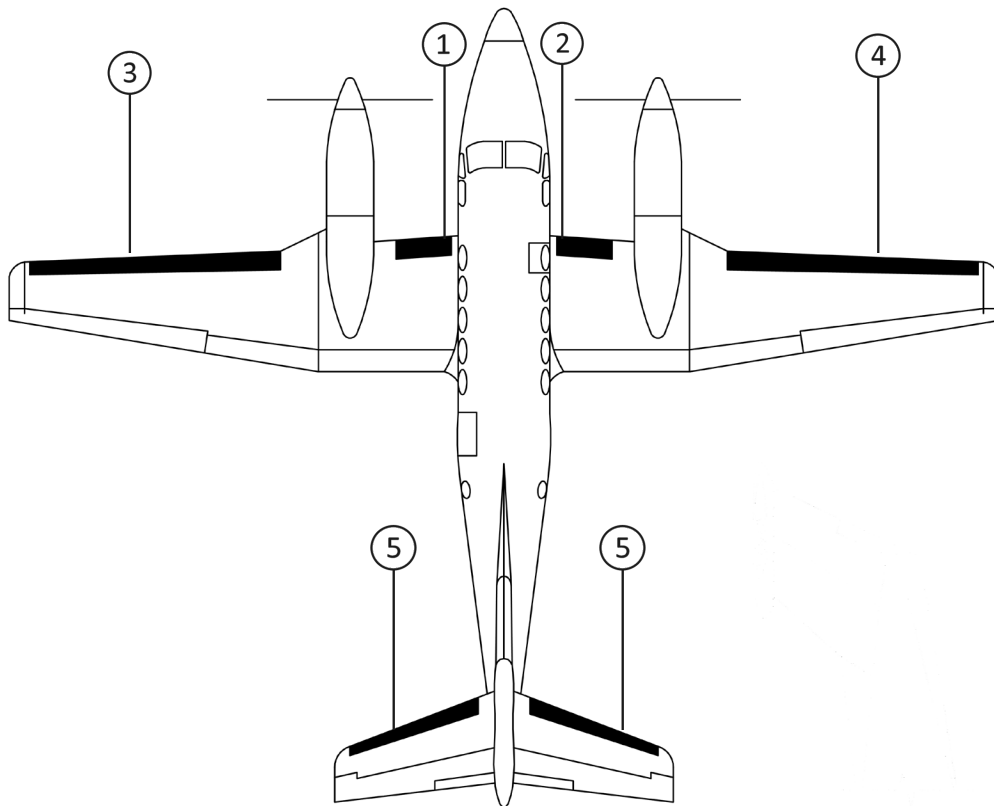
**BEECHCRAFT RAISBECK CONVERSION 200C (SUPER KING AIR)**

**STANDARD DE-ICE BOOTS**

POSITION ID	GOODRICH PART NUMBER	AIRCRAFT OEM P/N	DESCRIPTION	QTY PER AIRCRAFT	WT
1	25S-7D5041-13		INBOARD WING LH DE-ICE BOOT	1	1.5
2	25S-7D5041-14		INBOARD WING RH DE-ICE BOOT	1	1.5
3	25S-7D5041-01	101-380001-1	OUTBOARD WING LH DE-ICE BOOT	1	6.2
4	25S-7D5041-02	101-380001-2	OUTBOARD WING RH DE-ICE BOOT	1	6.2
5	25S-7D5041-05	101-380001-5	HORIZONTAL STABILIZER LH/ RH DE-ICE BOOT	2	2.8

**FASTboot® DE-ICE BOOTS**

POSITION ID	GOODRICH PART NUMBER	AIRCRAFT OEM P/N	DESCRIPTION	QTY PER AIRCRAFT	WT
3	P25S-7D5041-01	101-380001-21	FASTBOOT® OUTBOARD WING LH DE-ICE BOOT	1	6.2
4	P25S-7D5041-02	101-380001-22	FASTBOOT® OUTBOARD WING RH DE-ICE BOOT	1	6.2
5	P25S-7D5041-05	101-380001-23	FASTBOOT® HORIZONTAL STABILIZER LH/RH DE-ICE BOOT	1	2.8



**BEECHCRAFT RAISBECK CONVERSION 200C (SUPER KING AIR)**

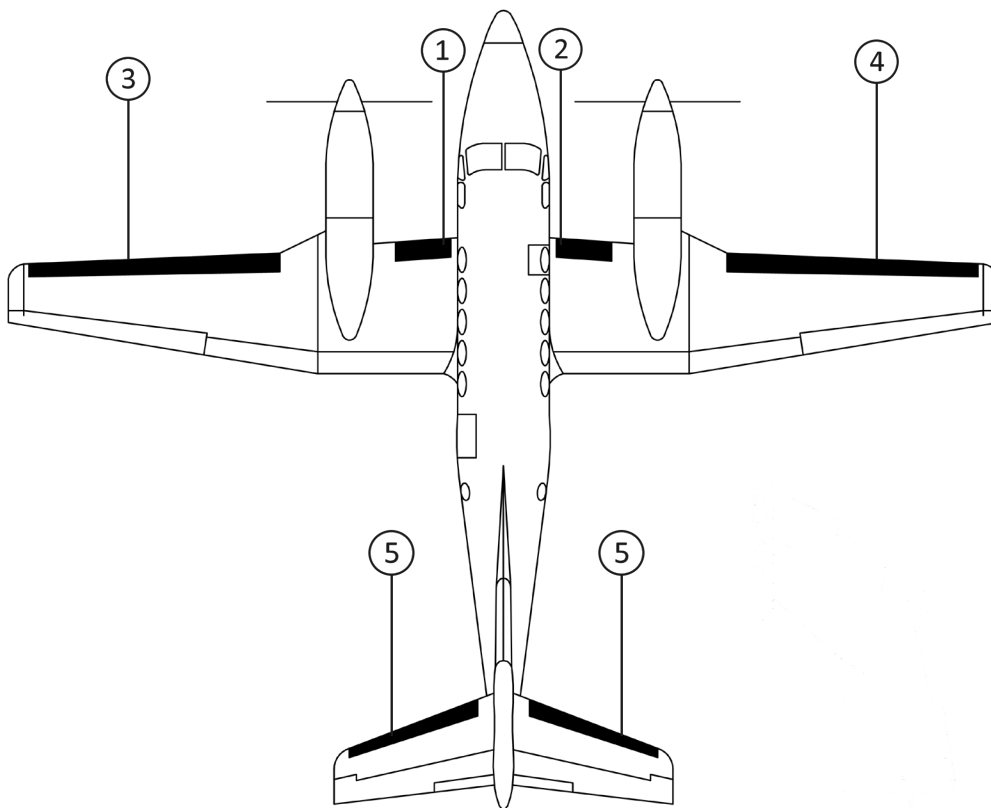
**BEECHCRAFT RAISBECK CONVERSION 200CT (SUPER KING AIR)**

**STANDARD DE-ICE BOOTS**

POSITION ID	GOODRICH PART NUMBER	AIRCRAFT OEM P/N	DESCRIPTION	QTY PER AIRCRAFT	WT
1	25S-7D5041-13		INBOARD WING LH DE-ICE BOOT	1	1.5
2	25S-7D5041-14		INBOARD WING RH DE-ICE BOOT	1	1.5
3	25S-7D5041-01	101-380001-1	OUTBOARD WING LH DE-ICE BOOT	1	6.2
4	25S-7D5041-02	101-380001-2	OUTBOARD WING RH DE-ICE BOOT	1	6.2
5	25S-7D5041-05	101-380001-5	HORIZONTAL STABILIZER LH/ RH DE-ICE BOOT	2	2.8

**FASTboot® DE-ICE BOOTS**

POSITION ID	GOODRICH PART NUMBER	AIRCRAFT OEM P/N	DESCRIPTION	QTY PER AIRCRAFT	WT
3	P25S-7D5041-01	101-380001-21	FASTBOOT® OUTBOARD WING LH DE-ICE BOOT	1	6.2
4	P25S-7D5041-02	101-380001-22	FASTBOOT® OUTBOARD WING RH DE-ICE BOOT	1	6.2
5	P25S-7D5041-05	101-380001-23	FASTBOOT® HORIZONTAL STABILIZER LH/RH DE-ICE BOOT	1	2.8



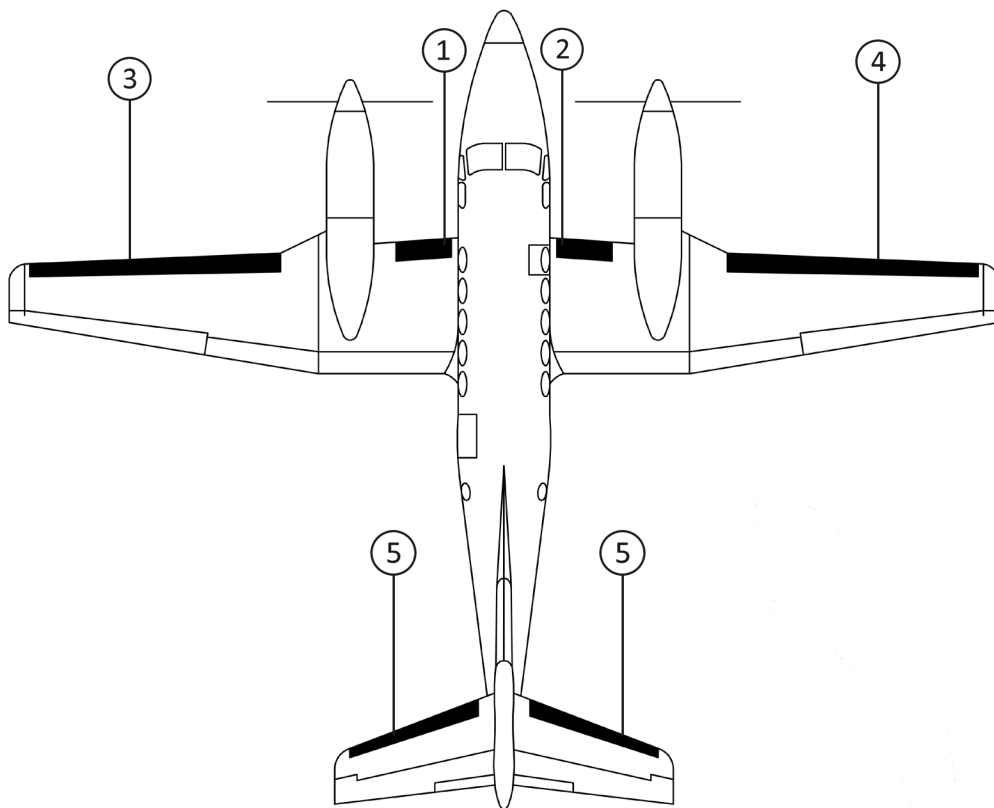
**BEECHCRAFT RAISBECK CONVERSION 200CT (SUPER KING AIR)**

**BEECHCRAFT RAISBECK CONVERSION 200T (SUPER KING AIR)**
**STANDARD DE-ICE BOOTS**

POSITION ID	GOODRICH PART NUMBER	AIRCRAFT OEM P/N	DESCRIPTION	QTY PER AIRCRAFT	WT
1	25S-7D5041-13		INBOARD WING LH DE-ICE BOOT	1	1.5
2	25S-7D5041-14		INBOARD WING RH DE-ICE BOOT	1	1.5
3	25S-7D5041-01	101-380001-1	OUTBOARD WING LH DE-ICE BOOT	1	6.2
4	25S-7D5041-02	101-380001-2	OUTBOARD WING RH DE-ICE BOOT	1	6.2
5	25S-7D5041-05	101-380001-5	HORIZONTAL STABILIZER LH/ RH DE-ICE BOOT	2	2.8

**FASTboot® DE-ICE BOOTS**

POSITION ID	GOODRICH PART NUMBER	AIRCRAFT OEM P/N	DESCRIPTION	QTY PER AIRCRAFT	WT
3	P25S-7D5041-01	101-380001-21	FASTBOOT® OUTBOARD WING LH DE-ICE BOOT	1	6.2
4	P25S-7D5041-02	101-380001-22	FASTBOOT® OUTBOARD WING RH DE-ICE BOOT	1	6.2
5	P25S-7D5041-05	101-380001-23	FASTBOOT® HORIZONTAL STABILIZER LH/RH DE-ICE BOOT	1	2.8

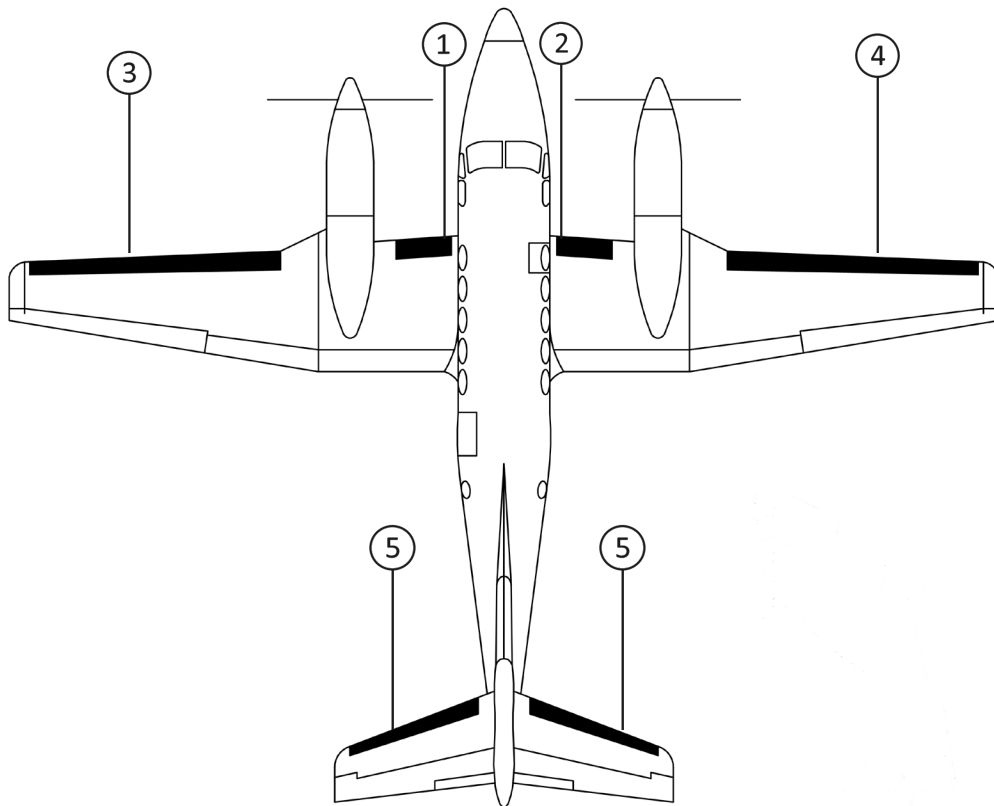

**BEECHCRAFT RAISBECK CONVERSION 200T (SUPER KING AIR)**

**BEECHCRAFT RAISBECK CONVERSION B200C (SUPER KING AIR)**
**STANDARD DE-ICE BOOTS**

POSITION ID	GOODRICH PART NUMBER	AIRCRAFT OEM P/N	DESCRIPTION	QTY PER AIRCRAFT	WT
1	25S-7D5041-13		INBOARD WING LH DE-ICE BOOT	1	1.5
2	25S-7D5041-14		INBOARD WING RH DE-ICE BOOT	1	1.5
3	25S-7D5041-01	101-380001-1	OUTBOARD WING LH DE-ICE BOOT	1	6.2
4	25S-7D5041-02	101-380001-2	OUTBOARD WING RH DE-ICE BOOT	1	6.2
5	25S-7D5041-05	101-380001-5	HORIZONTAL STABILIZER LH/ RH DE-ICE BOOT	2	2.8

**FASTboot® DE-ICE BOOTS**

POSITION ID	GOODRICH PART NUMBER	AIRCRAFT OEM P/N	DESCRIPTION	QTY PER AIRCRAFT	WT
3	P25S-7D5041-01	101-380001-21	FASTBOOT® OUTBOARD WING LH DE-ICE BOOT	1	6.2
4	P25S-7D5041-02	101-380001-22	FASTBOOT® OUTBOARD WING RH DE-ICE BOOT	1	6.2
5	P25S-7D5041-05	101-380001-23	FASTBOOT® HORIZONTAL STABILIZER LH/RH DE-ICE BOOT	1	2.8

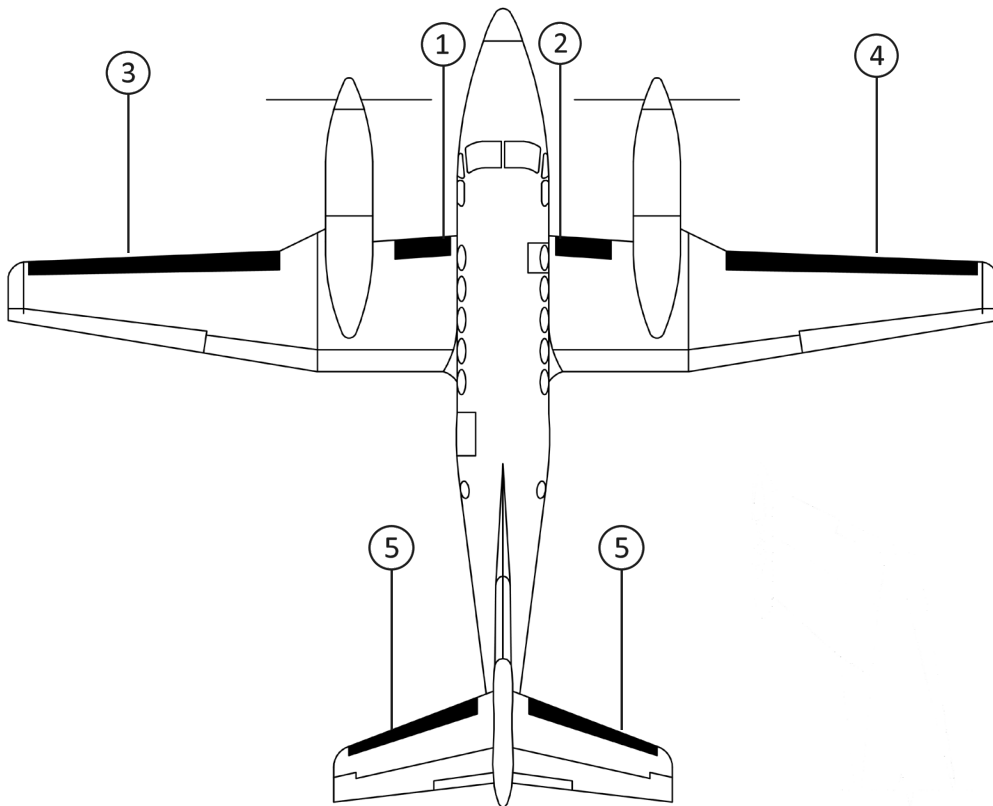

**BEECHCRAFT RAISBECK CONVERSION B200C (SUPER KING AIR)**

**BEECHCRAFT RAISBECK CONVERSION B200CT (SUPER KING AIR)**
**STANDARD DE-ICE BOOTS**

POSITION ID	GOODRICH PART NUMBER	AIRCRAFT OEM P/N	DESCRIPTION	QTY PER AIRCRAFT	WT
1	25S-7D5041-13		INBOARD WING LH DE-ICE BOOT	1	1.5
2	25S-7D5041-14		INBOARD WING RH DE-ICE BOOT	1	1.5
3	25S-7D5041-01	101-380001-1	OUTBOARD WING LH DE-ICE BOOT	1	6.2
4	25S-7D5041-02	101-380001-2	OUTBOARD WING RH DE-ICE BOOT	1	6.2
5	25S-7D5041-05	101-380001-5	HORIZONTAL STABILIZER LH/ RH DE-ICE BOOT	2	2.8

**FASTboot® DE-ICE BOOTS**

POSITION ID	GOODRICH PART NUMBER	AIRCRAFT OEM P/N	DESCRIPTION	QTY PER AIRCRAFT	WT
3	P25S-7D5041-01	101-380001-21	FASTBOOT® OUTBOARD WING LH DE-ICE BOOT	1	6.2
4	P25S-7D5041-02	101-380001-22	FASTBOOT® OUTBOARD WING RH DE-ICE BOOT	1	6.2
5	P25S-7D5041-05	101-380001-23	FASTBOOT® HORIZONTAL STABILIZER LH/RH DE-ICE BOOT	1	2.8

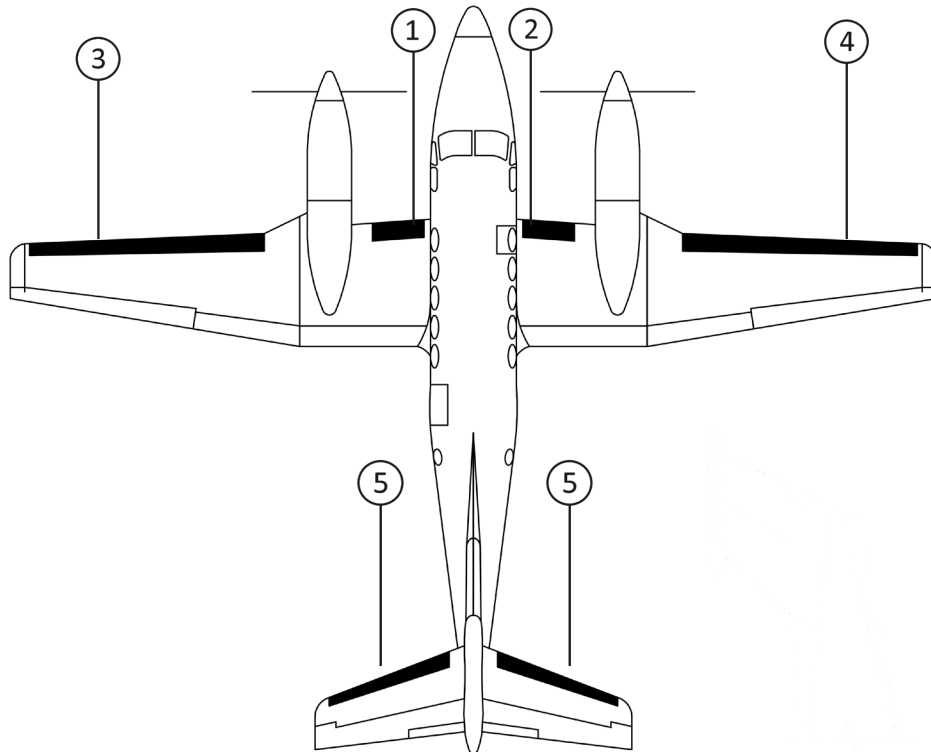

**BEECHCRAFT RAISBECK CONVERSION B200CT (SUPER KING AIR)**

**BEECHCRAFT RAISBECK CONVERSION B200T (SUPER KING AIR)**
**STANDARD DE-ICE BOOTS**

POSITION ID	GOODRICH PART NUMBER	AIRCRAFT OEM P/N	DESCRIPTION	QTY PER AIRCRAFT	WT
1	25S-7D5041-13		INBOARD WING LH DE-ICE BOOT	1	1.5
2	25S-7D5041-14		INBOARD WING RH DE-ICE BOOT	1	1.5
3	25S-7D5041-01	101-380001-1	OUTBOARD WING LH DE-ICE BOOT	1	6.2
4	25S-7D5041-02	101-380001-2	OUTBOARD WING RH DE-ICE BOOT	1	6.2
5	25S-7D5041-05	101-380001-5	HORIZONTAL STABILIZER LH/ RH DE-ICE BOOT	2	2.8

**FASTboot® DE-ICE BOOTS**

POSITION ID	GOODRICH PART NUMBER	AIRCRAFT OEM P/N	DESCRIPTION	QTY PER AIRCRAFT	WT
3	P25S-7D5041-01	101-380001-21	FASTBOOT® OUTBOARD WING LH DE-ICE BOOT	1	6.2
4	P25S-7D5041-02	101-380001-22	FASTBOOT® OUTBOARD WING RH DE-ICE BOOT	1	6.2
5	P25S-7D5041-05	101-380001-23	FASTBOOT® HORIZONTAL STABILIZER LH/RH DE-ICE BOOT	1	2.8


**BEECHCRAFT RAISBECK CONVERSION B200T (SUPER KING AIR)**

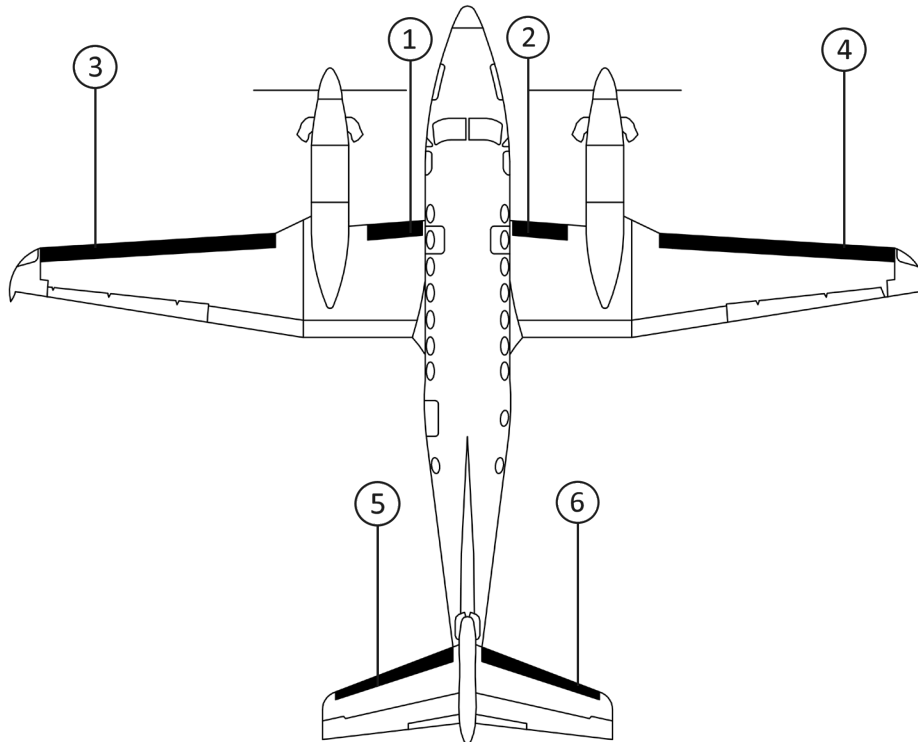


**BEECHCRAFT 300 (SUPER KING AIR)**
**STANDARD DE-ICE BOOTS**

POSITION ID	GOODRICH PART NUMBER	AIRCRAFT OEM P/N	DESCRIPTION	QTY PER AIRCRAFT	WT
1	25S-7D5041-09	101-380001-11	INBOARD WING LH DE-ICE BOOT	1	1.3
2	25S-7D5041-10	101-380001-12	INBOARD WING RH DE-ICE BOOT	1	1.3
3	25S-7D5041-11	101-380001-13	OUTBOARD WING LH DE-ICE BOOT	1	6.2
4	25S-7D5041-12	101-380001-14	OUTBOARD WING RH DE-ICE BOOT	1	6.2
5	25S-7D5064-17	101-380001-9	HORIZONTAL STABILIZER LH DE-ICE BOOT	1	3.6
6	25S-7D5064-18	101-380001-10	HORIZONTAL STABILIZER RH DE-ICE BOOT	1	3.6

**FASTboot® DE-ICE BOOTS**

POSITION ID	GOODRICH PART NUMBER	AIRCRAFT OEM P/N	DESCRIPTION	QTY PER AIRCRAFT	WT
1	P25S-7D5041-09	101-380001-29	FASTBOOT® INBOARD WING LH DE-ICE BOOT	1	1.3
2	P25S-7D5041-10	101-380001-30	FASTBOOT® INBOARD WING RH DE-ICE BOOT	1	1.3
3	P25S-7D5041-11		FASTBOOT® OUTBOARD WING LH DE-ICE BOOT	1	6.2
4	P25S-7D5041-12		FASTBOOT® OUTBOARD WING RH DE-ICE BOOT	1	6.2
5	P25S-7D5064-17	101-380001-27	FASTBOOT® HORIZONTAL STABILIZER LH DE-ICE BOOT	1	3.6
6	P25S-7D5064-18	101-380001-28	FASTBOOT® HORIZONTAL STABILIZER RH DE-ICE BOOT	1	3.6

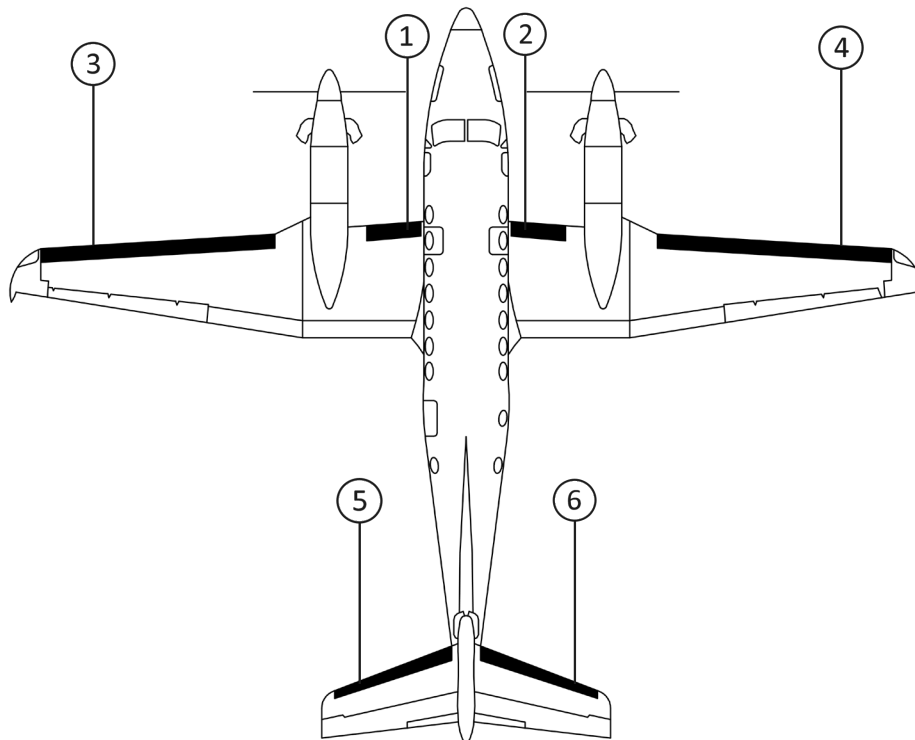

**BEECHCRAFT 300 (SUPER KING AIR)**

**BEECHCRAFT 300 WITH BLR WINGLETS (SUPER KING AIR)**
**STANDARD DE-ICE BOOTS**

POSITION ID	GOODRICH PART NUMBER	AIRCRAFT OEM P/N	DESCRIPTION	QTY PER AIRCRAFT	WT
1	25S-7D5041-09	101-380001-11	INBOARD WING LH DE-ICE BOOT	1	1.3
2	25S-7D5041-10	101-380001-12	INBOARD WING RH DE-ICE BOOT	1	1.3
3	29S4D5041-93		OUTBOARD WING LH DE-ICE BOOT W/ BLR WINGLETS (REPLACES SMR5041-93)	1	6.8
4	29S4D5041-94		OUTBOARD WING RH DE-ICE BOOT W/ BLR WINGLETS (REPLACES SMR5041-94)	1	6.8
5	25S-7D5064-17	101-380001-9	HORIZONTAL STABILIZER LH DE-ICE BOOT	1	3.6
6	25S-7D5064-18	101-380001-10	HORIZONTAL STABILIZER RH DE-ICE BOOT	1	3.6

**FASTboot® DE-ICE BOOTS**

POSITION ID	GOODRICH PART NUMBER	AIRCRAFT OEM P/N	DESCRIPTION	QTY PER AIRCRAFT	WT
1	P25S-7D5041-09	101-380001-29	FASTBOOT® INBOARD WING LH DE-ICE BOOT	1	1.3
2	P25S-7D5041-10	101-380001-30	FASTBOOT® INBOARD WING RH DE-ICE BOOT	1	1.3
3	P29S4D5041-93		FASTBOOT® OUTBOARD WING LH DE-ICE BOOT W/ BLR WINGLETS (REPLACES SMR5041-93)	1	6.8
4	P29S4D5041-94		FASTBOOT® OUTBOARD WING RH DE-ICE BOOT W/ BLR WINGLETS (REPLACES SMR5041-94)	1	6.8
5	P25S-7D5064-17	101-380001-27	FASTBOOT® HORIZONTAL STABILIZER LH DE-ICE BOOT	1	3.6
6	P25S-7D5064-18	101-380001-28	FASTBOOT® HORIZONTAL STABILIZER RH DE-ICE BOOT	1	3.6

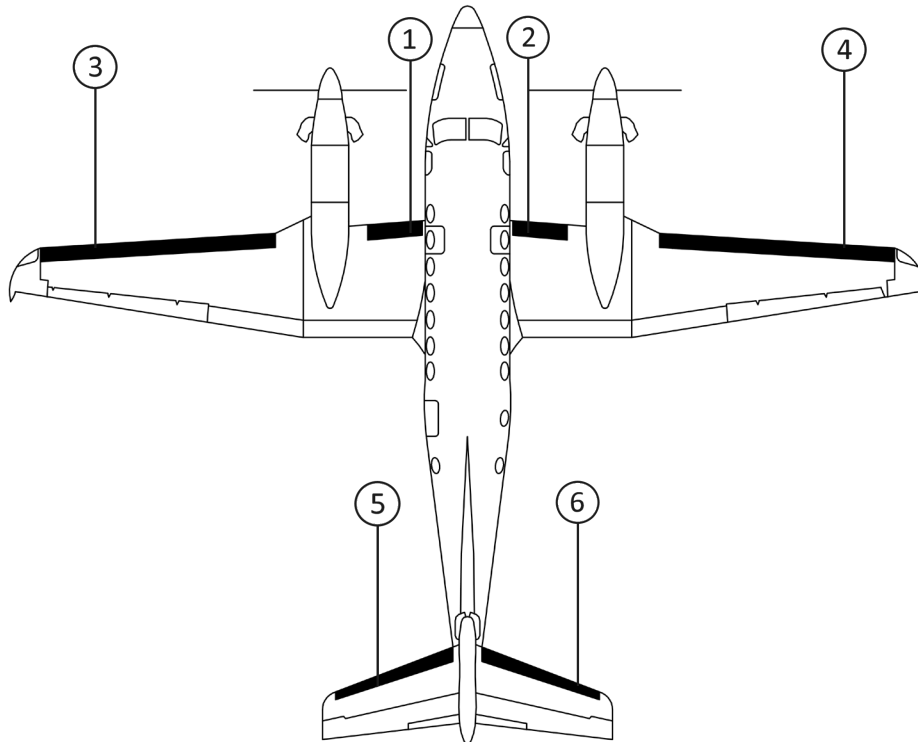

**BEECHCRAFT 300 WITH BLR WINGLETS (SUPER KING AIR)**

**BEECHCRAFT 300LW (SUPER KING AIR)**
**STANDARD DE-ICE BOOTS**

POSITION ID	GOODRICH PART NUMBER	AIRCRAFT OEM P/N	DESCRIPTION	QTY PER AIRCRAFT	WT
1	25S-7D5041-09	101-380001-11	INBOARD WING LH DE-ICE BOOT	1	1.3
2	25S-7D5041-10	101-380001-12	INBOARD WING RH DE-ICE BOOT	1	1.3
3	25S-7D5041-11	101-380001-13	OUTBOARD WING LH DE-ICE BOOT	1	6.2
4	25S-7D5041-12	101-380001-14	OUTBOARD WING RH DE-ICE BOOT	1	6.2
5	25S-7D5064-17	101-380001-9	HORIZONTAL STABILIZER LH DE-ICE BOOT	1	3.6
6	25S-7D5064-18	101-380001-10	HORIZONTAL STABILIZER RH DE-ICE BOOT	1	3.6

**FASTboot® DE-ICE BOOTS**

POSITION ID	GOODRICH PART NUMBER	AIRCRAFT OEM P/N	DESCRIPTION	QTY PER AIRCRAFT	WT
1	P25S-7D5041-09	101-380001-29	FASTBOOT® INBOARD WING LH DE-ICE BOOT	1	1.3
2	P25S-7D5041-10	101-380001-30	FASTBOOT® INBOARD WING RH DE-ICE BOOT	1	1.3
3	P25S-7D5041-11		FASTBOOT® OUTBOARD WING LH DE-ICE BOOT	1	6.2
4	P25S-7D5041-12		FASTBOOT® OUTBOARD WING RH DE-ICE BOOT	1	6.2
5	P25S-7D5064-17	101-380001-27	FASTBOOT® HORIZONTAL STABILIZER LH DE-ICE BOOT	1	3.6
6	P25S-7D5064-18	101-380001-28	FASTBOOT® HORIZONTAL STABILIZER RH DE-ICE BOOT	1	3.6

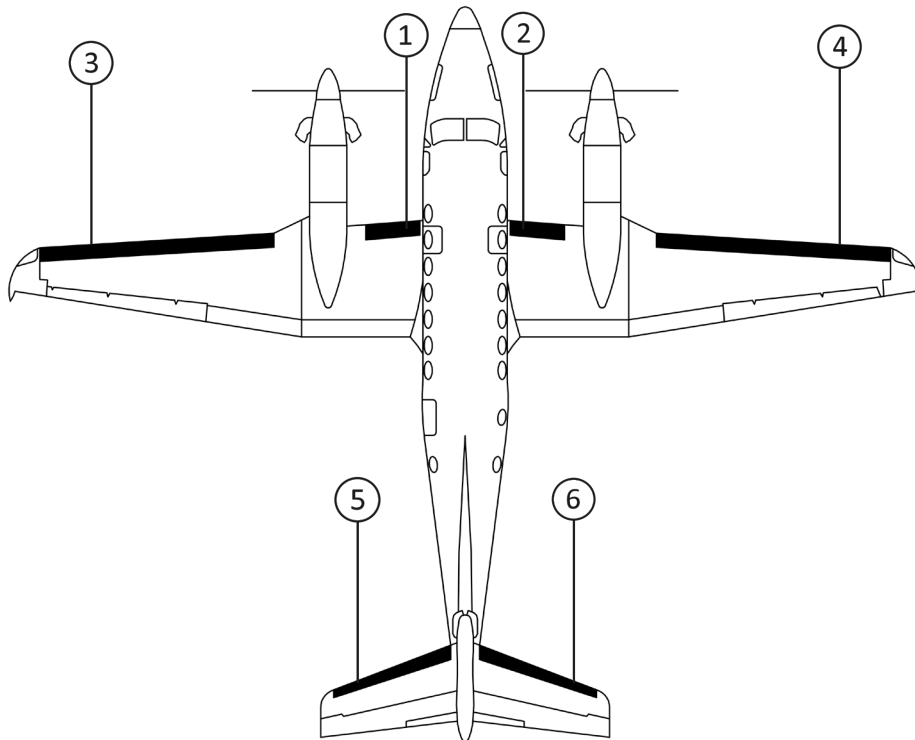

**BEECHCRAFT 300 (SUPER KING AIR)**

**BEECHCRAFT 300LW WITH BLR WINGLETS (SUPER KING AIR)**
**STANDARD DE-ICE BOOTS**

POSITION ID	GOODRICH PART NUMBER	AIRCRAFT OEM P/N	DESCRIPTION	QTY PER AIRCRAFT	WT
1	25S-7D5041-09	101-380001-11	INBOARD WING LH DE-ICE BOOT	1	1.3
2	25S-7D5041-10	101-380001-12	INBOARD WING RH DE-ICE BOOT	1	1.3
3	29S4D5041-93		OUTBOARD WING LH DE-ICE BOOT W/ BLR WINGLETS (REPLACES SMR5041-93)	1	6.8
4	29S4D5041-94		OUTBOARD WING RH DE-ICE BOOT W/ BLR WINGLETS (REPLACES SMR5041-94)	1	6.8
5	25S-7D5064-17	101-380001-9	HORIZONTAL STABILIZER LH DE-ICE BOOT	1	3.6
6	25S-7D5064-18	101-380001-10	HORIZONTAL STABILIZER RH DE-ICE BOOT	1	3.6

**FASTboot® DE-ICE BOOTS**

POSITION ID	GOODRICH PART NUMBER	AIRCRAFT OEM P/N	DESCRIPTION	QTY PER AIRCRAFT	WT
1	P25S-7D5041-09	101-380001-29	FASTBOOT® INBOARD WING LH DE-ICE BOOT	1	1.3
2	P25S-7D5041-10	101-380001-30	FASTBOOT® INBOARD WING RH DE-ICE BOOT	1	1.3
3	P29S4D5041-93		FASTBOOT® OUTBOARD WING LH DE-ICE BOOT W/ BLR WINGLETS (REPLACES SMR5041-93)	1	6.8
4	P29S4D5041-94		FASTBOOT® OUTBOARD WING RH DE-ICE BOOT W/ BLR WINGLETS (REPLACES SMR5041-94)	1	6.8
5	P25S-7D5064-17	101-380001-27	FASTBOOT® HORIZONTAL STABILIZER LH DE-ICE BOOT	1	3.6
6	P25S-7D5064-18	101-380001-28	FASTBOOT® HORIZONTAL STABILIZER RH DE-ICE BOOT	1	3.6

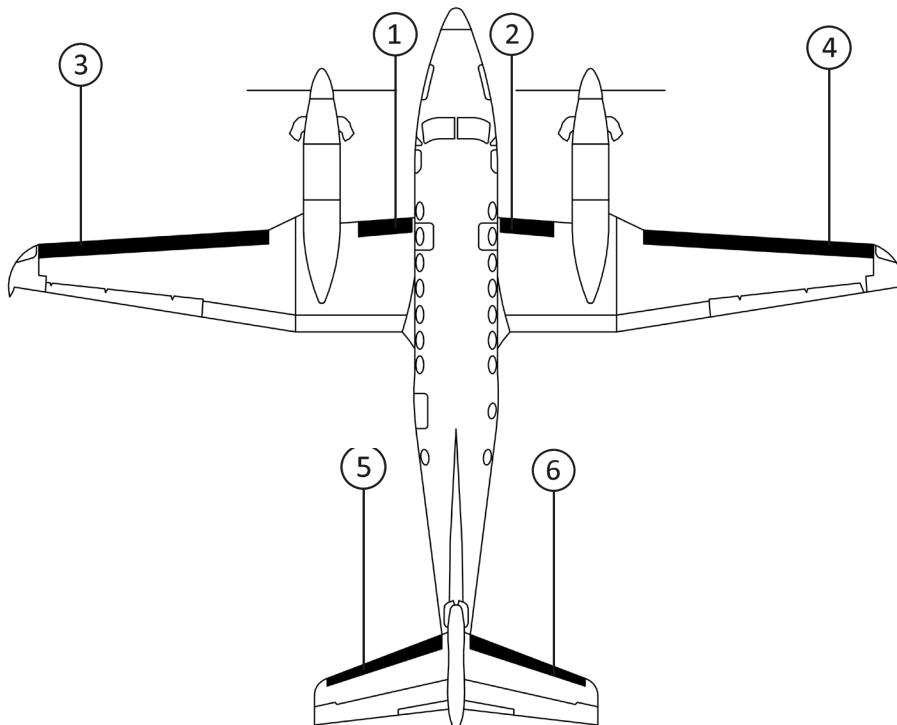

**BEECHCRAFT 300LW WITH BLR WINGLETS (SUPER KING AIR)**

**BEECHCRAFT B300 (SUPER KING AIR)**
**STANDARD DE-ICE BOOTS**

POSITION ID	GOODRICH PART NUMBER	AIRCRAFT OEM P/N	DESCRIPTION	QTY PER AIRCRAFT	WT
1	25S-7D5041-09	101-380001-11	INBOARD WING LH DE-ICE BOOT	1	1.3
2	25S-7D5041-10	101-380001-12	INBOARD WING RH DE-ICE BOOT	1	1.3
3	25S-7D5041-17	101-380001-19	OUTBOARD WING LH DE-ICE BOOT	1	6.4
4	25S-7D5041-18	101-380001-20	OUTBOARD WING RH DE-ICE BOOT	1	6.4
5	25S-7D5064-17	101-380001-9	HORIZONTAL STABILIZER LH DE-ICE BOOT	1	3.6
6	25S-7D5064-18	101-380001-10	HORIZONTAL STABILIZER RH DE-ICE BOOT	1	3.6

**FASTboot® DE-ICE BOOTS**

POSITION ID	GOODRICH PART NUMBER	AIRCRAFT OEM P/N	DESCRIPTION	QTY PER AIRCRAFT	WT
1	P25S-7D5041-09	101-380001-29	FASTBOOT® INBOARD WING LH DE-ICE BOOT	1	1.3
2	P25S-7D5041-10	101-380001-30	FASTBOOT® INBOARD WING RH DE-ICE BOOT	1	1.3
3	P25S-7D5041-17	101-380001-31	FASTBOOT® OUTBOARD WING LH DE-ICE BOOT	1	6.4
4	P25S-7D5041-18	101-380001-32	FASTBOOT® OUTBOARD WING RH DE-ICE BOOT	1	6.4
5	P25S-7D5064-17	101-380001-27	FASTBOOT® HORIZONTAL STABILIZER LH DE-ICE BOOT	1	3.6
6	P25S-7D5064-18	101-380001-28	FASTBOOT® HORIZONTAL STABILIZER RH DE-ICE BOOT	1	3.6

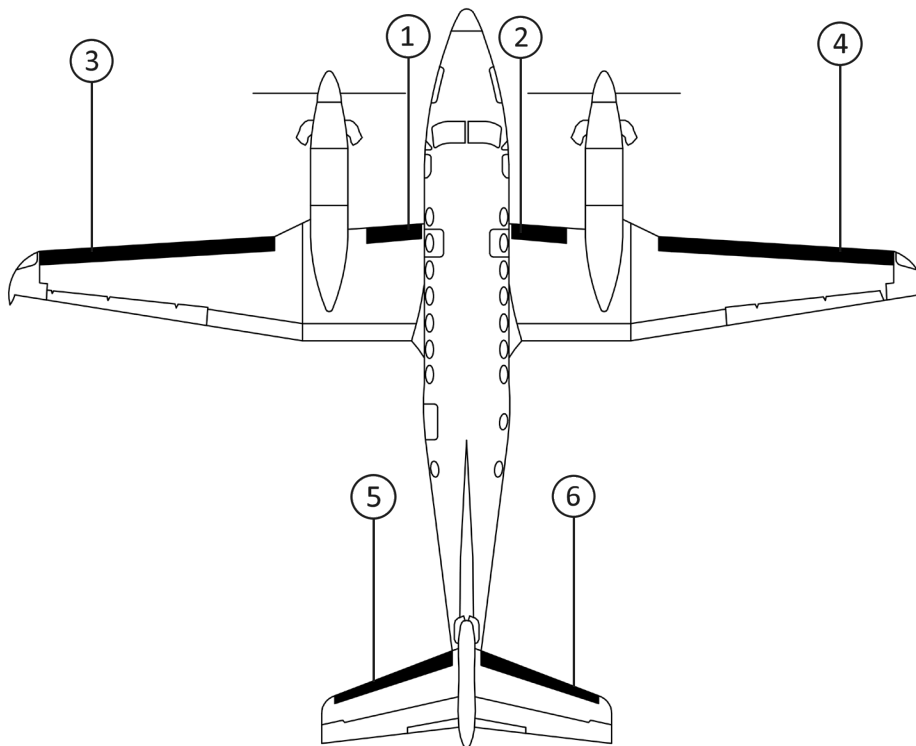

**BEECHCRAFT B300 (SUPER KING AIR)**

**BEECHCRAFT B300C (SUPER KING AIR)**
**STANDARD DE-ICE BOOTS**

POSITION ID	GOODRICH PART NUMBER	AIRCRAFT OEM P/N	DESCRIPTION	QTY PER AIRCRAFT	WT
1	25S-7D5041-09	101-380001-11	INBOARD WING LH DE-ICE BOOT	1	1.3
2	25S-7D5041-10	101-380001-12	INBOARD WING RH DE-ICE BOOT	1	1.3
3	25S-7D5041-17	101-380001-19	OUTBOARD WING LH DE-ICE BOOT	1	6.4
4	25S-7D5041-18	101-380001-20	OUTBOARD WING RH DE-ICE BOOT	1	6.4
5	25S-7D5064-17	101-380001-9	HORIZONTAL STABILIZER LH DE-ICE BOOT	1	3.6
6	25S-7D5064-18	101-380001-10	HORIZONTAL STABILIZER RH DE-ICE BOOT	1	3.6

**FASTboot® DE-ICE BOOTS**

POSITION ID	GOODRICH PART NUMBER	AIRCRAFT OEM P/N	DESCRIPTION	QTY PER AIRCRAFT	WT
1	P25S-7D5041-09	101-380001-29	FASTBOOT® INBOARD WING LH DE-ICE BOOT	1	1.3
2	P25S-7D5041-10	101-380001-30	FASTBOOT® INBOARD WING RH DE-ICE BOOT	1	1.3
3	P25S-7D5041-17	101-380001-31	FASTBOOT® OUTBOARD WING LH DE-ICE BOOT	1	6.4
4	P25S-7D5041-18	101-380001-32	FASTBOOT® OUTBOARD WING RH DE-ICE BOOT	1	6.4
5	P25S-7D5064-17	101-380001-27	FASTBOOT® HORIZONTAL STABILIZER LH DE-ICE BOOT	1	3.6
6	P25S-7D5064-18	101-380001-28	FASTBOOT® HORIZONTAL STABILIZER RH DE-ICE BOOT	1	3.6

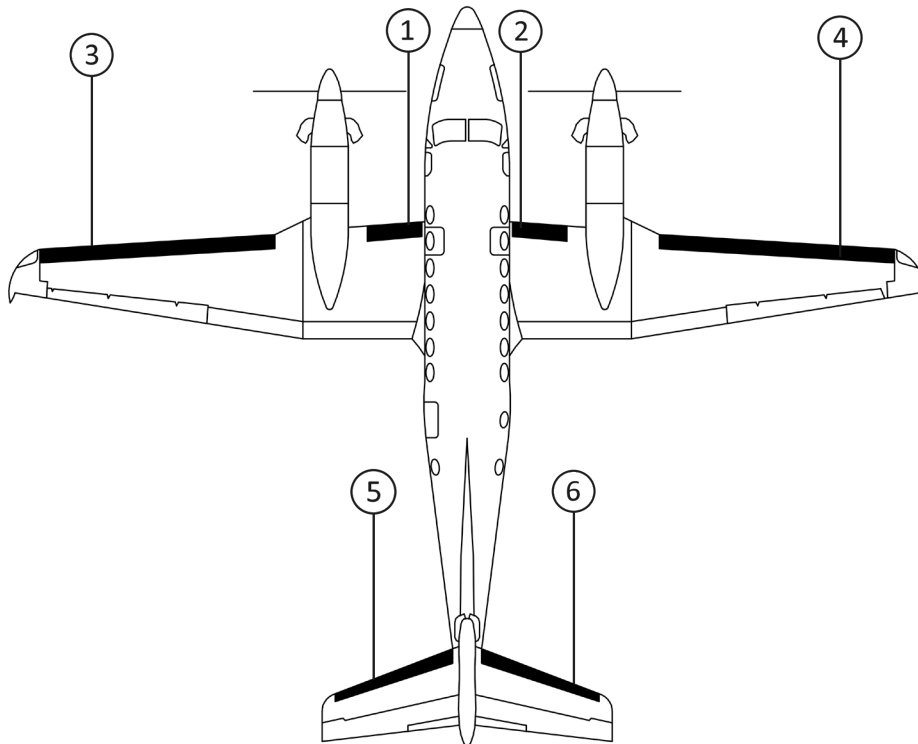

**BEECHCRAFT B300C (SUPER KING AIR)**

**BEECHCRAFT 350 (SUPER KING AIR)**
**STANDARD DE-ICE BOOTS**

POSITION ID	GOODRICH PART NUMBER	AIRCRAFT OEM P/N	DESCRIPTION	QTY PER AIRCRAFT	WT
1	25S-7D5041-09	101-380001-11	INBOARD WING LH DE-ICE BOOT	1	1.3
2	25S-7D5041-10	101-380001-12	INBOARD WING RH DE-ICE BOOT	1	1.3
3	25S-7D5041-17	101-380001-19	OUTBOARD WING LH DE-ICE BOOT	1	6.4
4	25S-7D5041-18	101-380001-20	OUTBOARD WING RH DE-ICE BOOT	1	6.4
5	25S-7D5064-17	101-380001-9	HORIZONTAL STABILIZER LH DE-ICE BOOT	1	3.6
6	25S-7D5064-18	101-380001-10	HORIZONTAL STABILIZER RH DE-ICE BOOT	1	3.6

**FASTboot® DE-ICE BOOTS**

POSITION ID	GOODRICH PART NUMBER	AIRCRAFT OEM P/N	DESCRIPTION	QTY PER AIRCRAFT	WT
1	P25S-7D5041-09	101-380001-29	FASTBOOT® INBOARD WING LH DE-ICE BOOT	1	1.3
2	P25S-7D5041-10	101-380001-30	FASTBOOT® INBOARD WING RH DE-ICE BOOT	1	1.3
3	P25S-7D5041-17	101-380001-31	FASTBOOT® OUTBOARD WING LH DE-ICE BOOT	1	6.4
4	P25S-7D5041-18	101-380001-32	FASTBOOT® OUTBOARD WING RH DE-ICE BOOT	1	6.4
5	P25S-7D5064-17	101-380001-27	FASTBOOT® HORIZONTAL STABILIZER LH DE-ICE BOOT	1	3.6
6	P25S-7D5064-18	101-380001-28	FASTBOOT® HORIZONTAL STABILIZER RH DE-ICE BOOT	1	3.6

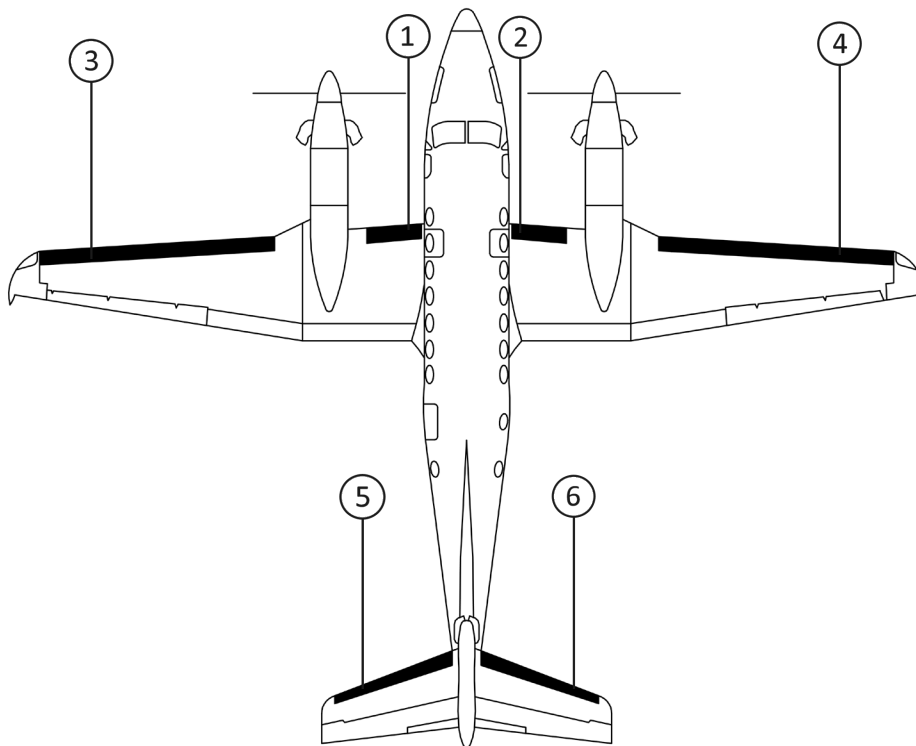

**BEECHCRAFT 350 (SUPER KING AIR)**

**BEECHCRAFT B350 (SUPER KING AIR)**
**STANDARD DE-ICE BOOTS**

POSITION ID	GOODRICH PART NUMBER	AIRCRAFT OEM P/N	DESCRIPTION	QTY PER AIRCRAFT	WT
1	25S-7D5041-09	101-380001-11	INBOARD WING LH DE-ICE BOOT	1	1.3
2	25S-7D5041-10	101-380001-12	INBOARD WING RH DE-ICE BOOT	1	1.3
3	25S-7D5041-17	101-380001-19	OUTBOARD WING LH DE-ICE BOOT	1	6.4
4	25S-7D5041-18	101-380001-20	OUTBOARD WING RH DE-ICE BOOT	1	6.4
5	25S-7D5064-17	101-380001-9	HORIZONTAL STABILIZER LH DE-ICE BOOT	1	3.6
6	25S-7D5064-18	101-380001-10	HORIZONTAL STABILIZER RH DE-ICE BOOT	1	3.6

**FASTboot® DE-ICE BOOTS**

POSITION ID	GOODRICH PART NUMBER	AIRCRAFT OEM P/N	DESCRIPTION	QTY PER AIRCRAFT	WT
1	P25S-7D5041-09	101-380001-29	FASTBOOT® INBOARD WING LH DE-ICE BOOT	1	1.3
2	P25S-7D5041-10	101-380001-30	FASTBOOT® INBOARD WING RH DE-ICE BOOT	1	1.3
3	P25S-7D5041-17	101-380001-31	FASTBOOT® OUTBOARD WING LH DE-ICE BOOT	1	6.4
4	P25S-7D5041-18	101-380001-32	FASTBOOT® OUTBOARD WING RH DE-ICE BOOT	1	6.4
5	P25S-7D5064-17	101-380001-27	FASTBOOT® HORIZONTAL STABILIZER LH DE-ICE BOOT	1	3.6
6	P25S-7D5064-18	101-380001-28	FASTBOOT® HORIZONTAL STABILIZER RH DE-ICE BOOT	1	3.6


**BEECHCRAFT 350 (SUPER KING AIR)**



**BEECHCRAFT 1900 (AIRLINER)**
**STANDARD DE-ICE BOOTS**

POSITION ID	GOODRICH PART NUMBER	AIRCRAFT OEM P/N	DESCRIPTION	QTY PER AIRCRAFT	WT
1	29S-7D5137-01	114-380036-9	FUSELAGE-NACELLE LH DE-ICE BOOT	1	2.5
2	29S-7D5137-02	114-380036-11	FUSELAGE-NACELLE RH DE-ICE BOOT	1	2.1
3	29S-7D5137-03	114-380036-5	NACELLE-BREAK LH DE-ICE BOOT	1	1.1
4	29S-7D5137-04	114-380036-7	NACELLE-BREAK RH DE-ICE BOOT	1	1.1
5	29S-7D5137-13	114-380036-21	BREAK-TIP LH DE-ICE BOOT	1	7.0
6	29S-7D5137-06	114-380036-3	BREAK-TIP RH DE-ICE BOOT	1	7.0
7	29S-7D5137-07	114-380036-13	HORIZONTAL STABILIZER LH DE-ICE BOOT	1	3.2
8	29S-7D5137-08	114-380036-15	HORIZONTAL STABILIZER RH DE-ICE BOOT	1	3.2
9	29S-7D5137-15	114-380036-23	STABILON LH DE-ICE BOOT	1	1.1
10	29S-7D5137-16	114-380036-25	STABILON RH DE-ICE BOOT	1	1.1

**OPTIONAL STANDARD DE-ICE BOOTS**

POSITION ID	GOODRICH PART NUMBER	AIRCRAFT OEM P/N	DESCRIPTION	QTY PER AIRCRAFT	WT
1	29S-7D5137-59	114-380036-63	FUSELAGE-NACELLE LH (ESTANE®) DE-ICE BOOT	1	2.5
2	29S-7D5137-60	114-380036-65	FUSELAGE-NACELLE RH (ESTANE®) DE-ICE BOOT	1	2.1
5	29S-7D5137-57	114-380036-39	BREAK-TIP LH (ESTANE®) DE-ICE BOOT	1	7.0
6	29S-7D5137-58	114-380036-41	BREAK-TIP RH (ESTANE®) DE-ICE BOOT	1	7.0

\*ESTANE® DE-ICERS HAVE A SURFACE PLY RESISTANT TO DIESTER TYPE ENGINE OIL

**FASTboot® DE-ICE BOOTS**

POSITION ID	GOODRICH PART NUMBER	AIRCRAFT OEM P/N	DESCRIPTION	QTY PER AIRCRAFT	WT
1	P29S-7D5137-01	114-380067-9	FASTBOOT® FUSELAGE-NACELLE LH DE-ICE BOOT	1	2.5
2	P29S-7D5137-02	114-380067-11	FASTBOOT® FUSELAGE-NACELLE RH DE-ICE BOOT	1	2.1
3	P29S-7D5137-03	114-380067-5	FASTBOOT® NACELLE-BREAK LH DE-ICE BOOT	1	1.1
4	P29S-7D5137-04	114-380067-7	FASTBOOT® NACELLE-BREAK RH DE-ICE BOOT	1	1.1
5	P29S-7D5137-13	114-380067-21	FASTBOOT® BREAK-TIP LH DE-ICE BOOT	1	7.0
6	P29S-7D5137-06	114-380067-3	FASTBOOT® BREAK-TIP RH DE-ICE BOOT	1	7.0
7	P29S-7D5137-07	114-380067-13	FASTBOOT® HORIZONTAL STABILIZER LH DE-ICE BOOT	1	3.2
8	P29S-7D5137-08	114-380067-15	FASTBOOT® HORIZONTAL STABILIZER RH DE-ICE BOOT	1	3.2
9	P29S-7D5137-15	114-380067-23	FASTBOOT® STABILON LH DE-ICE BOOT	1	1.1
10	P29S-7D5137-16	114-380067-25	FASTBOOT® STABILON RH DE-ICE BOOT	1	1.1

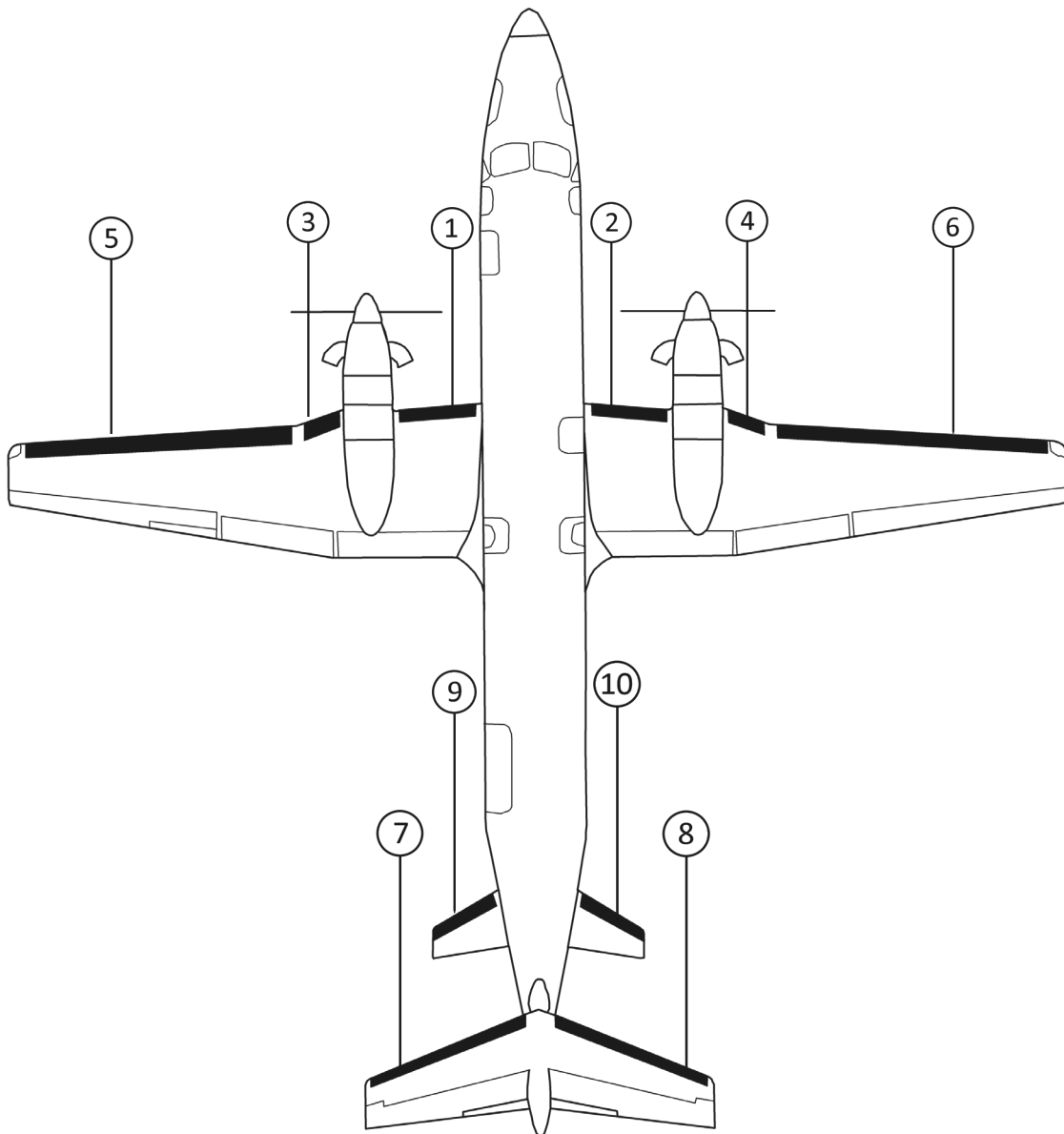
(CONTINUED ON PAGE 146)

**BEECHCRAFT 1900 (AIRLINER)**

**FASTboot® DE-ICE BOOTS**

POSITION ID	GOODRICH PART NUMBER	AIRCRAFT OEM P/N	DESCRIPTION	QTY PER AIRCRAFT	WT
1	P29S-7D5137-59	114-380067-63	FASTBOOT® FUSELAGE-NACELLE LH (ESTANE®) DE-ICE BOOT	1	2.5
2	P29S-7D5137-60	114-380067-65	FASTBOOT® FUSELAGE-NACELLE RH (ESTANE®) DE-ICE BOOT	1	2.1
5	P29S-7D5137-57	114-380067-39	FASTBOOT® BREAK-TIP LH (ESTANE®) DE-ICE BOOT	1	7.0
6	P29S-7D5137-58	114-380067-41	FASTBOOT® BREAK-TIP RH (ESTANE®) DE-ICE BOOT	1	7.0

\*ESTANE® DE-ICERS HAVE A SURFACE PLY RESISTANT TO DIESTER TYPE ENGINE OIL



**BEECHCRAFT 1900 (AIRLINER)**

**BEECHCRAFT 1900C (AIRLINER) S/N UB-1 UP**
**STANDARD DE-ICE BOOTS**

POSITION ID	GOODRICH PART NUMBER	AIRCRAFT OEM P/N	DESCRIPTION	QTY PER AIRCRAFT	WT
1	29S-7D5137-01	114-380036-9	FUSELAGE-NACELLE LH DE-ICE BOOT	1	2.5
2	29S-7D5137-02	114-380036-11	FUSELAGE-NACELLE RH DE-ICE BOOT	1	2.1
3	29S-7D5137-03	114-380036-5	NACELLE-BREAK LH DE-ICE BOOT	1	1.1
4	29S-7D5137-04	114-380036-7	NACELLE-BREAK RH DE-ICE BOOT	1	1.1
5	29S-7D5137-13	114-380036-21	BREAK-TIP LH DE-ICE BOOT	1	7.0
6	29S-7D5137-06	114-380036-3	BREAK-TIP RH DE-ICE BOOT	1	7.0
7	29S-7D5137-07	114-380036-13	HORIZONTAL STABILIZER LH DE-ICE BOOT	1	3.2
8	29S-7D5137-08	114-380036-15	HORIZONTAL STABILIZER RH DE-ICE BOOT	1	3.2
9	29S-7D5137-15	114-380036-23	STABILON LH DE-ICE BOOT	1	1.1
10	29S-7D5137-16	114-380036-25	STABILON RH DE-ICE BOOT	1	1.1

**OPTIONAL STANDARD DE-ICE BOOTS**

POSITION ID	GOODRICH PART NUMBER	AIRCRAFT OEM P/N	DESCRIPTION	QTY PER AIRCRAFT	WT
1	29S-7D5137-59	114-380036-63	FUSELAGE-NACELLE LH (ESTANE®) DE-ICE BOOT	1	2.5
2	29S-7D5137-60	114-380036-65	FUSELAGE-NACELLE RH (ESTANE®) DE-ICE BOOT	1	2.1
5	29S-7D5137-57	114-380036-39	BREAK-TIP LH (ESTANE®) DE-ICE BOOT	1	7.0
6	29S-7D5137-58	114-380036-41	BREAK-TIP RH (ESTANE®) DE-ICE BOOT	1	7.0

\*ESTANE® DE-ICERS HAVE A SURFACE PLY RESISTANT TO DIESTER TYPE ENGINE OIL

**FASTboot® DE-ICE BOOTS**

POSITION ID	GOODRICH PART NUMBER	AIRCRAFT OEM P/N	DESCRIPTION	QTY PER AIRCRAFT	WT
1	P29S-7D5137-01	114-380067-9	FASTBOOT® FUSELAGE-NACELLE LH DE-ICE BOOT	1	2.5
2	P29S-7D5137-02	114-380067-11	FASTBOOT® FUSELAGE-NACELLE RH DE-ICE BOOT	1	2.1
3	P29S-7D5137-03	114-380067-5	FASTBOOT® NACELLE-BREAK LH DE-ICE BOOT	1	1.1
4	P29S-7D5137-04	114-380067-7	FASTBOOT® NACELLE-BREAK RH DE-ICE BOOT	1	1.1
5	P29S-7D5137-13	114-380067-21	FASTBOOT® BREAK-TIP LH DE-ICE BOOT	1	7.0
6	P29S-7D5137-06	114-380067-3	FASTBOOT® BREAK-TIP RH DE-ICE BOOT	1	7.0
7	P29S-7D5137-07	114-380067-13	FASTBOOT® HORIZONTAL STABILIZER LH DE-ICE BOOT	1	3.2
8	P29S-7D5137-08	114-380067-15	FASTBOOT® HORIZONTAL STABILIZER RH DE-ICE BOOT	1	3.2
9	P29S-7D5137-15	114-380067-23	FASTBOOT® STABILON LH DE-ICE BOOT	1	1.1
10	P29S-7D5137-16	114-380067-25	FASTBOOT® STABILON RH DE-ICE BOOT	1	1.1

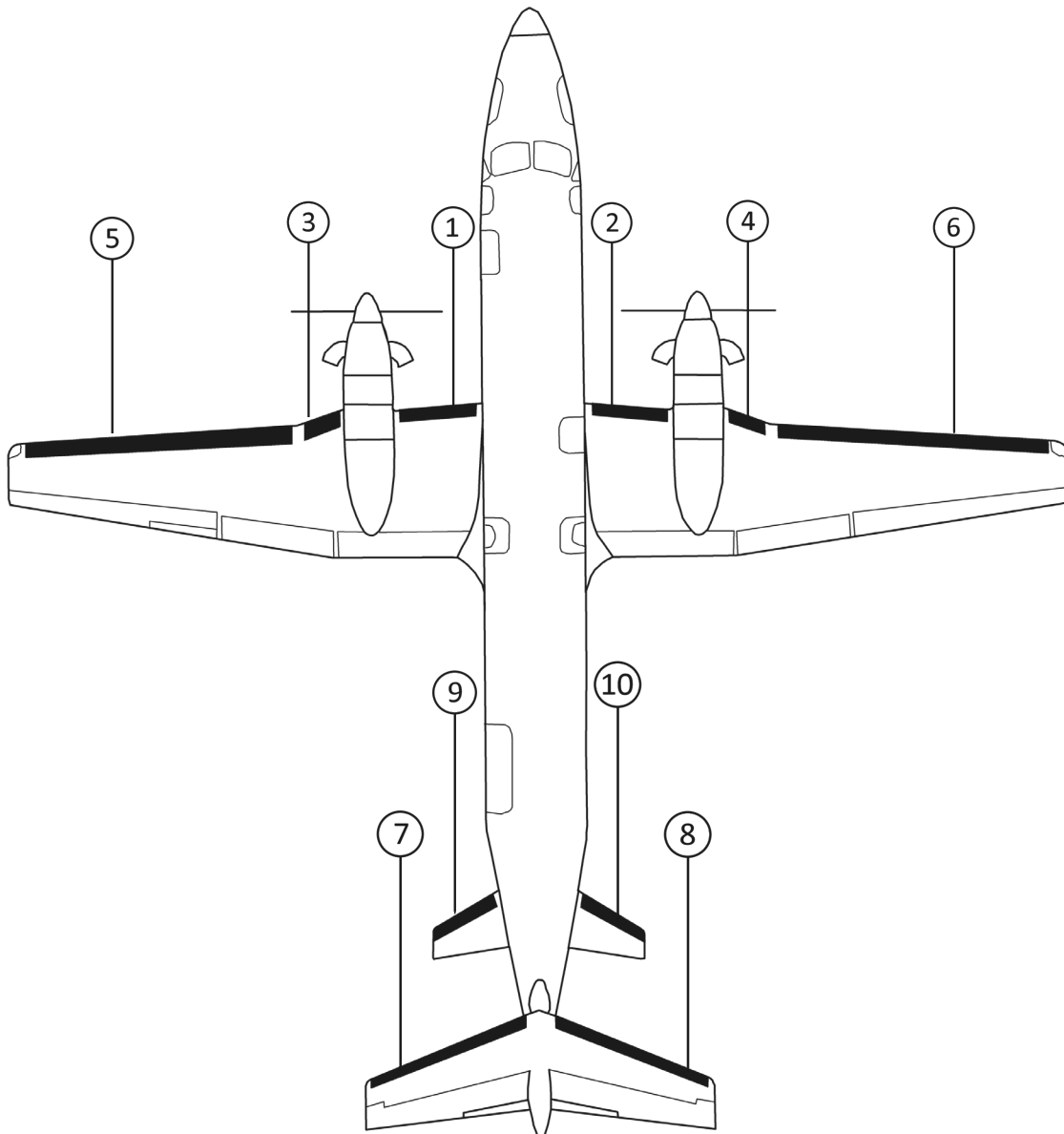
(CONTINUED ON PAGE 148)

**BEECHCRAFT 1900C (AIRLINER) S/N UB-1 UP**

**FASTboot® DE-ICE BOOTS**

POSITION ID	GOODRICH PART NUMBER	AIRCRAFT OEM P/N	DESCRIPTION	QTY PER AIRCRAFT	WT
1	P29S-7D5137-59	114-380067-63	FASTBOOT® FUSELAGE-NACELLE LH (ESTANE®) DE-ICE BOOT	1	2.5
2	P29S-7D5137-60	114-380067-65	FASTBOOT® FUSELAGE-NACELLE RH (ESTANE®) DE-ICE BOOT	1	2.1
5	P29S-7D5137-57	114-380067-39	FASTBOOT® BREAK-TIP LH (ESTANE®) DE-ICE BOOT	1	7.0
6	P29S-7D5137-58	114-380067-41	FASTBOOT® BREAK-TIP RH (ESTANE®) DE-ICE BOOT	1	7.0

\*ESTANE® DE-ICERS HAVE A SURFACE PLY RESISTANT TO DIESTER TYPE ENGINE OIL



**BEECHCRAFT 1900C (AIRLINER) S/N UB-1 UP**

**BEECHCRAFT 1900C (AIRLINER) S/N UC-1 UP**
**STANDARD DE-ICE BOOTS**

POSITION ID	GOODRICH PART NUMBER	AIRCRAFT OEM P/N	DESCRIPTION	QTY PER AIRCRAFT	WT
1	29S-7D5137-01	114-380036-9	FUSELAGE-NACELLE LH DE-ICE BOOT	1	2.5
2	29S-7D5137-02	114-380036-11	FUSELAGE-NACELLE RH DE-ICE BOOT	1	2.1
3	29S-7D5137-17	114-380036-75	NACELLE-BREAK LH DE-ICE BOOT	1	1.1
4	29S-7D5137-18	114-380036-77	NACELLE-BREAK RH DE-ICE BOOT	1	1.1
5	29S-7D5137-19	114-380036-27	BREAK-TIP LH DE-ICE BOOT	1	7.0
5	29S-7D5137-79	114-380036-103	BREAK-TIP LH DE-ICE BOOT	1	7.0
6	29S-7D5137-20	114-380036-29	BREAK-TIP RH DE-ICE BOOT	1	7.0
7	29S-7D5137-07	114-380036-13	HORIZONTAL STABILIZER LH DE-ICE BOOT	1	3.2
8	29S-7D5137-08	114-380036-15	HORIZONTAL STABILIZER RH DE-ICE BOOT	1	3.2
9	29S-7D5137-15	114-380036-23	STABILON LH DE-ICE BOOT	1	1.1
10	29S-7D5137-16	114-380036-25	STABILON RH DE-ICE BOOT	1	1.1

**OPTIONAL STANDARD DE-ICE BOOTS**

POSITION ID	GOODRICH PART NUMBER	AIRCRAFT OEM P/N	DESCRIPTION	QTY PER AIRCRAFT	WT
1	29S-7D5137-59	114-380036-63	FUSELAGE-NACELLE LH (ESTANE®) DE-ICE BOOT	1	2.5
2	29S-7D5137-60	114-380036-65	FUSELAGE-NACELLE RH (ESTANE®) DE-ICE BOOT	1	2.1
3	29S-7D5137-61	114-380036-67	NACELLE-BREAK LH (ESTANE®) DE-ICE BOOT	1	1.1
4	29S-7D5137-62	114-380036-69	NACELLE-BREAK RH (ESTANE®) DE-ICE BOOT	1	1.1
5	29S-7D5137-51	114-380036-35	BREAK-TIP LH (ESTANE®) DE-ICE BOOT	1	7.0
5	29S-7D5137-67	114-380036-81	BREAK-TIP LH (ESTANE®) DE-ICE BOOT	1	7.0
6	29S-7D5137-52	114-380036-37	BREAK-TIP RH (ESTANE®) DE-ICE BOOT	1	7.0
6	29S-7D5137-68	114-380036-83	BREAK-TIP RH (ESTANE®) DE-ICE BOOT	1	7.0

\*ESTANE® DE-ICERS HAVE A SURFACE PLY RESISTANT TO DIESTER TYPE ENGINE OIL

**FASTboot® DE-ICE BOOTS**

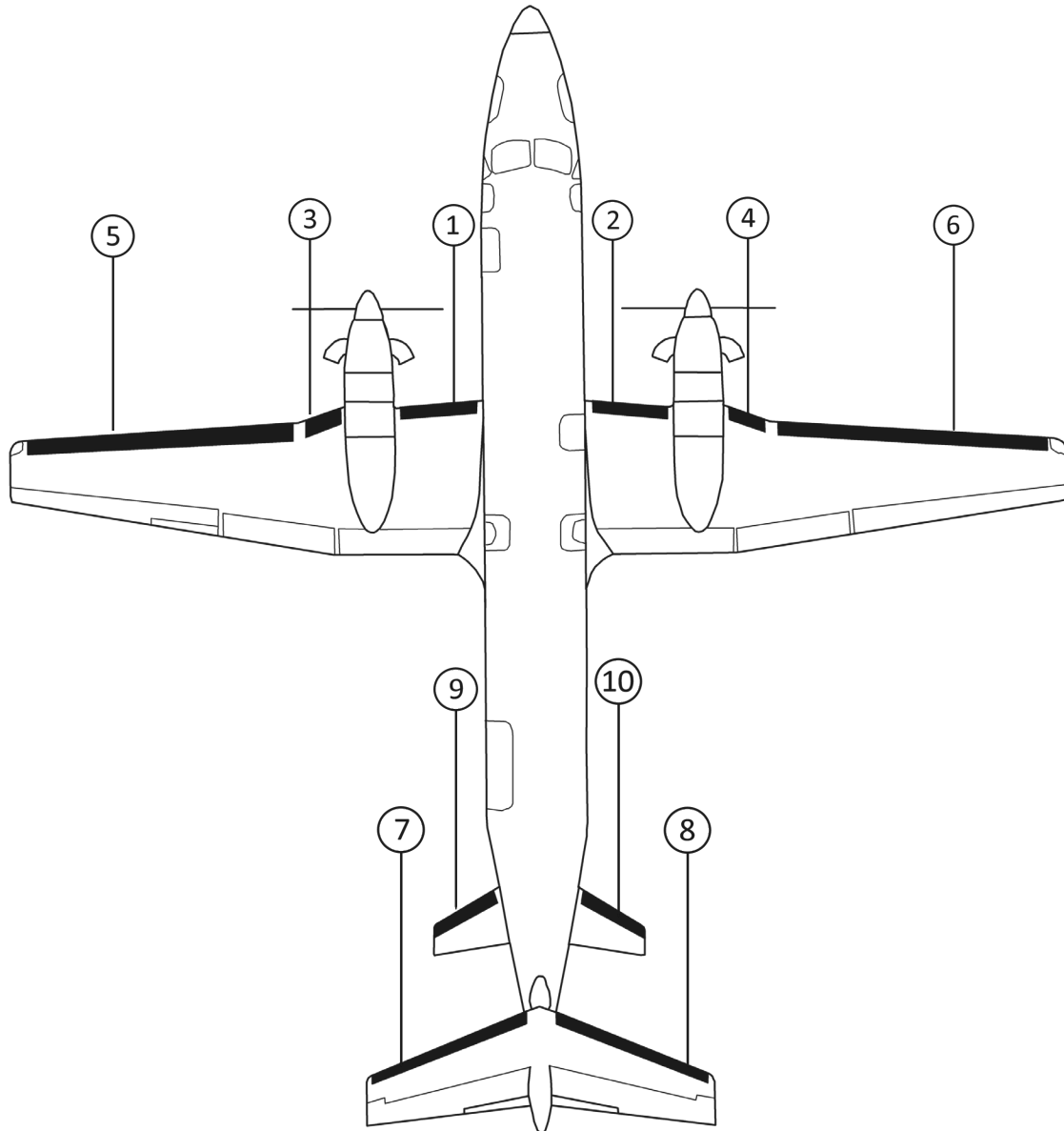
POSITION ID	GOODRICH PART NUMBER	AIRCRAFT OEM P/N	DESCRIPTION	QTY PER AIRCRAFT	WT
1	P29S-7D5137-01	114-380067-9	FASTBOOT® FUSELAGE-NACELLE LH DE-ICE BOOT	1	2.5
2	P29S-7D5137-02	114-380067-11	FASTBOOT® FUSELAGE-NACELLE RH DE-ICE BOOT	1	2.1
3	P29S-7D5137-17	114-380067-75	FASTBOOT® NACELLE-BREAK LH DE-ICE BOOT	1	1.1
4	P29S-7D5137-18	114-380067-77	FASTBOOT® NACELLE-BREAK RH DE-ICE BOOT	1	1.1
5	P29S-7D5137-19	114-380067-27	FASTBOOT® BREAK-TIP LH DE-ICE BOOT	1	7.0
6	P29S-7D5137-20	114-380067-29	FASTBOOT® BREAK-TIP RH DE-ICE BOOT	1	7.0
7	P29S-7D5137-07	114-380067-13	FASTBOOT® HORIZONTAL STABILIZER LH DE-ICE BOOT	1	3.2

\*ESTANE® DE-ICERS HAVE A SURFACE PLY RESISTANT TO DIESTER TYPE ENGINE OIL

(CONTINUED ON PAGE 151)

**BEECHCRAFT 1900C (AIRLINER) S/N UC-1 UP**

**BEECHCRAFT 1900C (AIRLINER) S/N UC-1 UP**



**BEECHCRAFT 1900C (AIRLINER) S/N UC-1 UP**
**FASTboot® DE-ICE BOOTS (CONTINUED)**

POSITION ID	GOODRICH PART NUMBER	AIRCRAFT OEM P/N	DESCRIPTION	QTY PER AIRCRAFT	WT
8	P29S-7D5137-08	114-380067-15	FASTBOOT® HORIZONTAL STABILIZER RH DE-ICE BOOT	1	3.2
9	P29S-7D5137-15	114-380067-23	FASTBOOT® STABILON LH DE-ICE BOOT	1	1.1
10	P29S-7D5137-16	114-380067-25	FASTBOOT® STABILON RH DE-ICE BOOT	1	1.1

**OPTIONAL FASTboot® DE-ICE BOOTS**

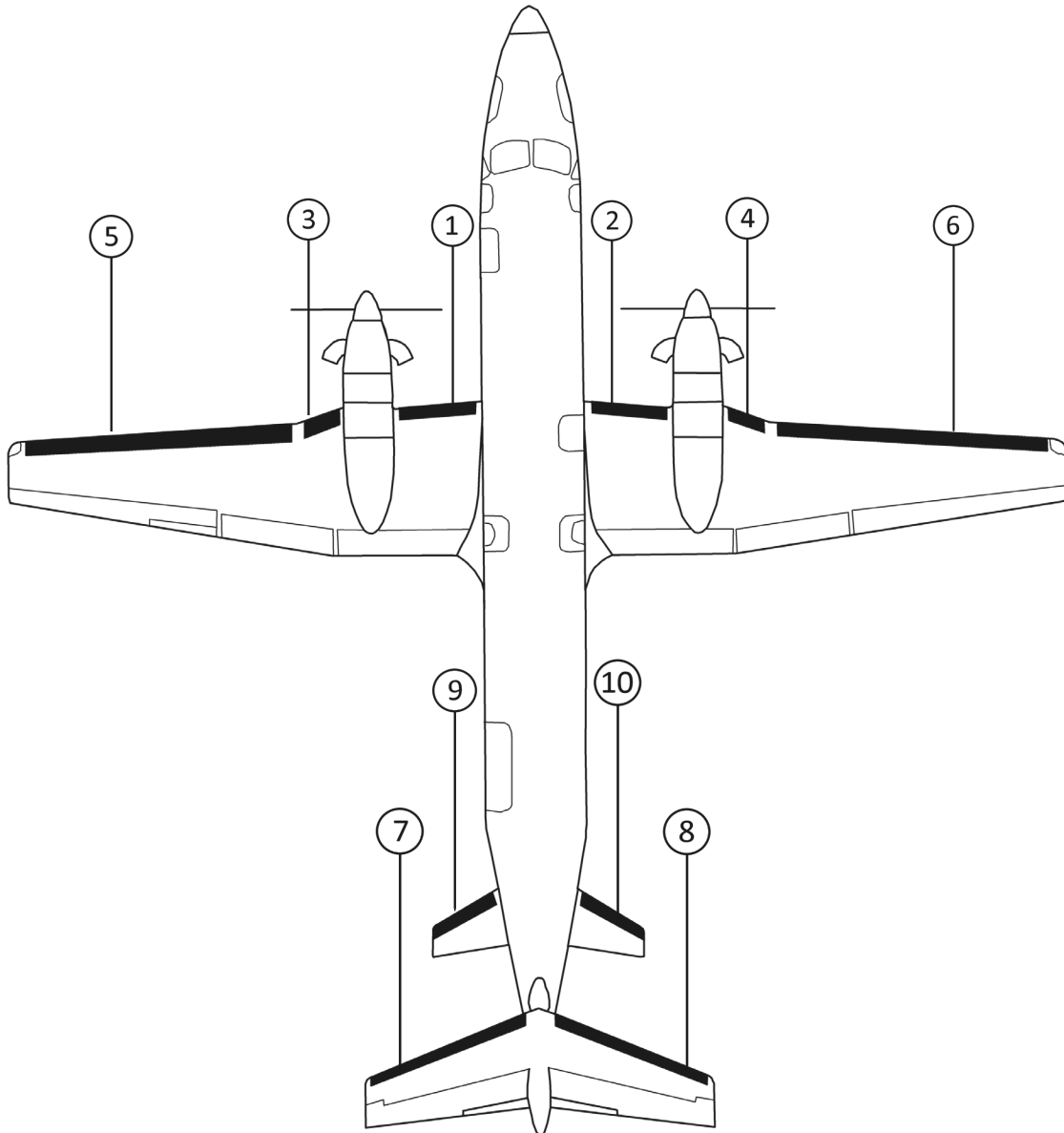
POSITION ID	GOODRICH PART NUMBER	AIRCRAFT OEM P/N	DESCRIPTION	QTY PER AIRCRAFT	WT
1	P29S-7D5137-59	114-380067-63	FASTBOOT® FUSELAGE-NACELLE LH (ESTANE®) DE-ICE BOOT	1	2.5
2	P29S-7D5137-60	114-380067-65	FASTBOOT® FUSELAGE-NACELLE RH (ESTANE®) DE-ICE BOOT	1	2.1
3	P29S-7D5137-61		FASTBOOT® NACELLE-BREAK LH (ESTANE®) DE-ICE BOOT	1	1.1
4	P29S-7D5137-62		FASTBOOT® NACELLE-BREAK RH (ESTANE®) DE-ICE BOOT	1	1.1
5	P29S-7D5137-51	114-380067-35	FASTBOOT® BREAK-TIP LH (ESTANE®) DE-ICE BOOT	1	7.0
5	P29S-7D5137-67	114-380067-81	FASTBOOT® BREAK-TIP LH (ESTANE®) DE-ICE BOOT	1	7.0
6	P29S-7D5137-52	114-380067-37	FASTBOOT® BREAK-TIP RH (ESTANE®) DE-ICE BOOT	1	7.0
6	P29S-7D5137-68	114-380067-83	FASTBOOT® BREAK-TIP RH (ESTANE®) DE-ICE BOOT	1	7.0

\*ESTANE® DE-ICERS HAVE A SURFACE PLY RESISTANT TO DIESTER TYPE ENGINE OIL

**BEECHCRAFT 1900C (AIRLINER) S/N UC-1 UP**

**BEECHCRAFT 1900C (AIRLINER) S/N UC-1 UP**

**BEECHCRAFT 1900C (AIRLINER) S/N UC-1 UP**





**BEECHCRAFT 1900C (AIRLINER) S/N UC-31 UP**
**STANDARD DE-ICE BOOTS**

POSITION ID	GOODRICH PART NUMBER	AIRCRAFT OEM P/N	DESCRIPTION	QTY PER AIRCRAFT	WT
1	29S-7D5137-21	114-380036-47	FUSELAGE-NACELLE LH DE-ICE BOOT	1	2.8
2	29S-7D5137-22	114-380036-49	FUSELAGE-NACELLE RH DE-ICE BOOT	1	2.3
3	29S-7D5137-23	114-380036-55	NACELLE-BREAK LH DE-ICE BOOT	1	1.3
4	29S-7D5137-24	114-380036-57	NACELLE-BREAK RH DE-ICE BOOT	1	1.3
5	29S-7D5137-79	114-380036-103	BREAK-TIP LH DE-ICE BOOT	1	7.0
6	29S-7D5137-20	114-380036-29	BREAK-TIP RH DE-ICE BOOT	1	7.0
7	29S-7D5137-25	114-380036-51	HORIZONTAL STABILIZER LH DE-ICE BOOT	1	3.8
7	29S-7D5137-07	114-380036-13	HORIZONTAL STABILIZER LH DE-ICE BOOT	1	3.2
8	29S-7D5137-26	114-380036-53	HORIZONTAL STABILIZER RH DE-ICE BOOT	1	3.8
8	29S-7D5137-08	114-380036-15	HORIZONTAL STABILIZER RH DE-ICE BOOT	1	3.2
9	29S-7D5137-15	114-380036-23	STABILON LH DE-ICE BOOT	1	1.1
10	29S-7D5137-16	114-380036-25	STABILON RH DE-ICE BOOT	1	1.1

**OPTIONAL STANDARD DE-ICE BOOTS**

POSITION ID	GOODRICH PART NUMBER	AIRCRAFT OEM P/N	DESCRIPTION	QTY PER AIRCRAFT	WT
1	29S-7D5137-59	114-380036-63	FUSELAGE-NACELLE LH (ESTANE®) DE-ICE BOOT	1	2.8
2	29S-7D5137-60	114-380036-65	FUSELAGE-NACELLE RH (ESTANE®) DE-ICE BOOT	1	2.8
3	29S-7D5137-61	114-380036-67	NACELLE-BREAK LH (ESTANE®) DE-ICE BOOT	1	1.1
4	29S-7D5137-62	114-380036-69	NACELLE-BREAK RH (ESTANE®) DE-ICE BOOT	1	1.1
5	29S-7D5137-69	114-380036-85	BREAK-TIP LH (ESTANE®) DE-ICE BOOT	1	7.0
6	29S-7D5137-66	114-380036-79	BREAK-TIP RH (ESTANE®) DE-ICE BOOT	1	7.0

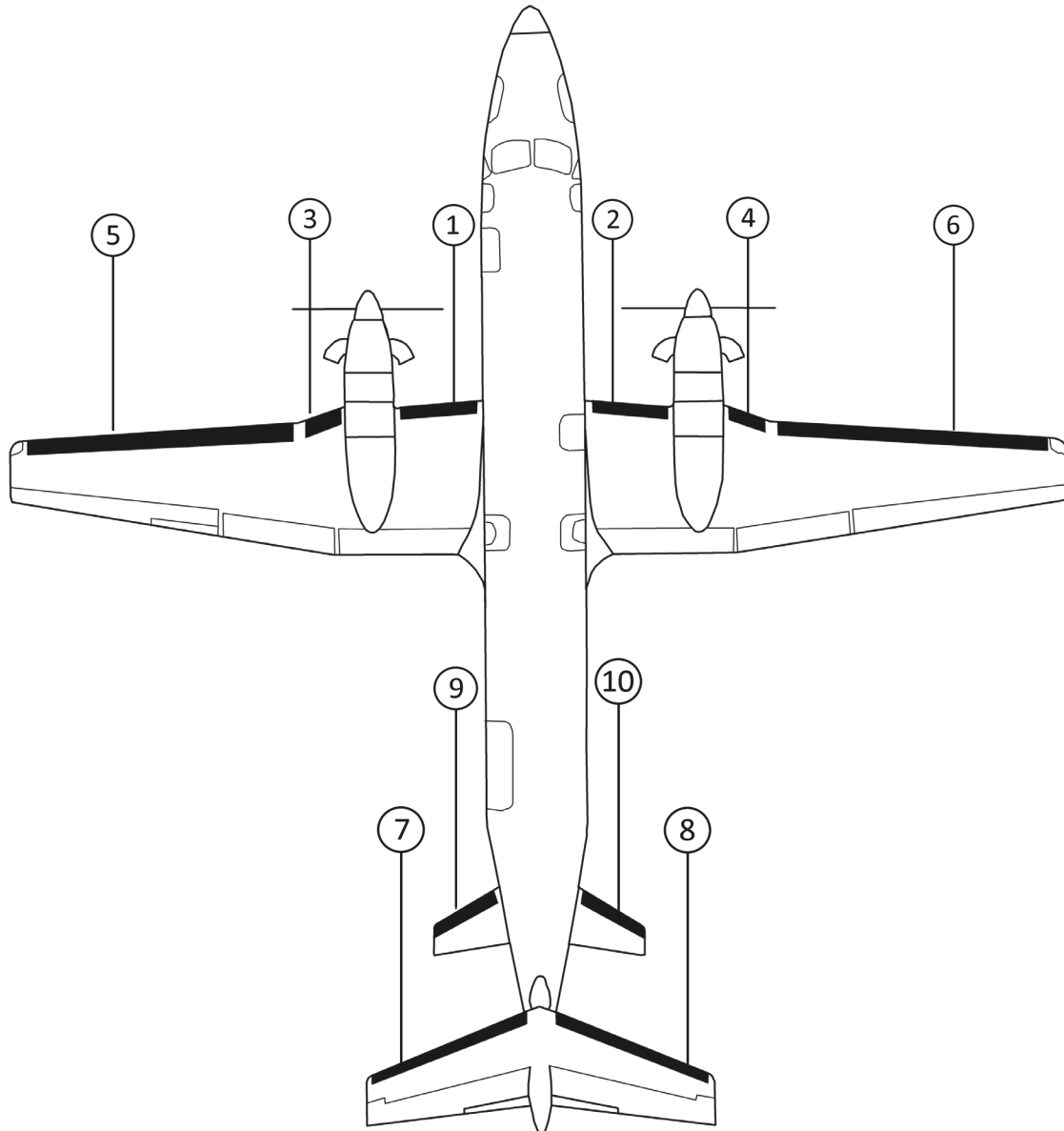
\*ESTANE® DE-ICERS HAVE A SURFACE PLY RESISTANT TO DIESTER TYPE ENGINE OIL

**FASTboot® DE-ICE BOOTS**

POSITION ID	GOODRICH PART NUMBER	AIRCRAFT OEM P/N	DESCRIPTION	QTY PER AIRCRAFT	WT
1	P29S-7D5137-21	114-380067-47	FASTBOOT® FUSELAGE-NACELLE LH DE-ICE BOOT	1	2.8
2	P29S-7D5137-22	114-380067-49	FASTBOOT® FUSELAGE-NACELLE RH DE-ICE BOOT	1	2.3
3	P29S-7D5137-23	114-380067-55	FASTBOOT® NACELLE-BREAK LH DE-ICE BOOT	1	1.3
4	P29S-7D5137-24	114-380067-57	FASTBOOT® NACELLE-BREAK RH DE-ICE BOOT	1	1.3
5	P29S-7D5137-79	114-380036-103	FASTBOOT® BREAK-TIP LH DE-ICE BOOT	1	7.0
6	P29S-7D5137-20	114-380036-29	FASTBOOT® BREAK-TIP LH DE-ICE BOOT	1	7.0
7	P29S-7D5137-25	114-380067-51	FASTBOOT® HORIZONTAL STABILIZER LH DE-ICE BOOT	3	3.8

(CONTINUED ON PAGE 155)

**BEECHCRAFT 1900C (AIRLINER) S/N UC-31 UP**



**BEECHCRAFT 1900C (AIRLINER) S/N UC-31 UP**

**BEECHCRAFT 1900C (AIRLINER) S/N UC-31 UP**
**FASTboot® DE-ICE BOOTS (CONTINUED)**

POSITION ID	GOODRICH PART NUMBER	AIRCRAFT OEM P/N	DESCRIPTION	QTY PER AIRCRAFT	WT
7	P29S-7D5137-07	114-380067-13	FASTBOOT® HORIZONTAL STABILIZER LH DE-ICE BOOT	1	3.2
8	P29S-7D5137-26	114-380067-53	FASTBOOT® HORIZONTAL STABILIZER RH DE-ICE BOOT	1	3.8
8	P29S-7D5137-08	114-380067-15	FASTBOOT® HORIZONTAL STABILIZER RH DE-ICE BOOT	1	3.2
9	P29S-7D5137-15	114-380067-23	FASTBOOT® STABILON LH DE-ICE BOOT	1	1.1
10	P29S-7D5137-16	114-380067-25	FASTBOOT® STABILON RH DE-ICE BOOT	1	1.1

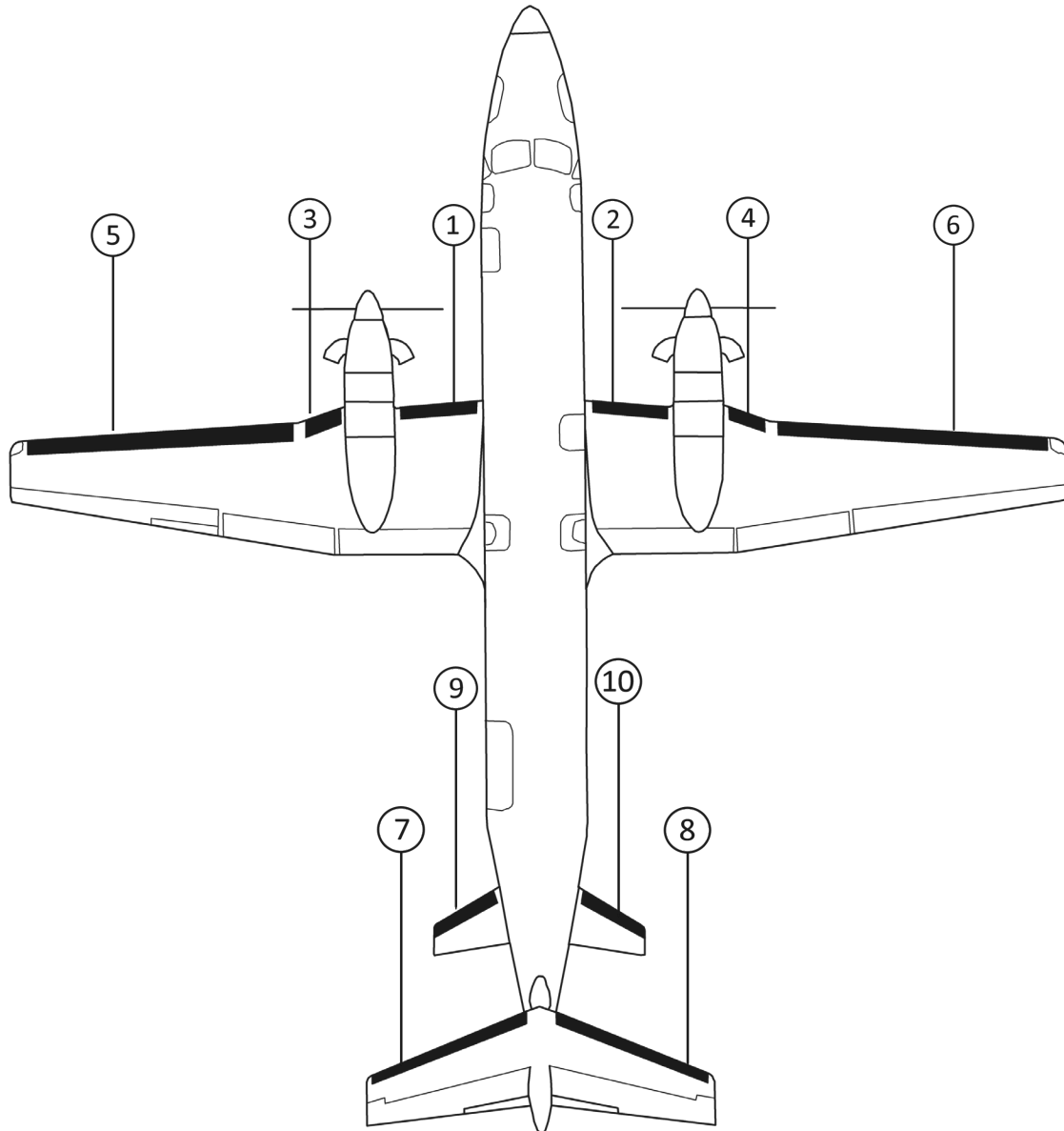
**OPTIONAL FASTboot® DE-ICE BOOTS**

POSITION ID	GOODRICH PART NUMBER	AIRCRAFT OEM P/N	DESCRIPTION	QTY PER AIRCRAFT	WT
1	P29S-7D5137-59	114-380067-63	FASTBOOT® FUSELAGE-NACELLE LH (ESTANE®) DE-ICE BOOT	1	2.8
2	P29S-7D5137-60	114-380067-65	FASTBOOT® FUSELAGE-NACELLE RH (ESTANE®) DE-ICE BOOT	1	2.8
3	P29S-7D5137-61		FASTBOOT® NACELLE-BREAK LH (ESTANE®) DE-ICE BOOT	1	1.1
4	P29S-7D5137-62		FASTBOOT® NACELLE-BREAK RH (ESTANE®) DE-ICE BOOT	1	1.1
5	P29S-7D5137-69	114-380067-85	FASTBOOT® BREAK-TIP LH (ESTANE®) DE-ICE BOOT	1	7.0
6	P29S-7D5137-66	114-380067-79	FASTBOOT® BREAK-TIP RH (ESTANE®) DE-ICE BOOT	1	7.0

\*ESTANE® DE-ICERS HAVE A SURFACE PLY RESISTANT TO DIESTER TYPE ENGINE OIL

**BEECHCRAFT 1900C (AIRLINER) S/N UC-31 UP**

**BEECHCRAFT 1900C (AIRLINER) S/N UC-31 UP**



**BEECHCRAFT 1900C (AIRLINER) S/N UC-31 UP**

**BEECHCRAFT 1900D (AIRLINER)**
**STANDARD DE-ICE BOOTS**

POSITION ID	GOODRICH PART NUMBER	AIRCRAFT OEM P/N	DESCRIPTION	QTY PER AIRCRAFT	WT
1	29S-7D5137-21	114-380036-47	FUSELAGE-NACELLE LH DE-ICE BOOT	1	2.8
2	29S-7D5137-22	114-380036-49	FUSELAGE-NACELLE RH DE-ICE BOOT	1	2.3
3	29S-7D5137-23	114-380036-55	NACELLE-BREAK LH DE-ICE BOOT	1	1.3
4	29S-7D5137-24	114-380036-57	NACELLE-BREAK RH DE-ICE BOOT	1	1.3
5	29S-7D5137-77	114-380036-99	BREAK-TIP LH DE-ICE BOOT	1	8.5
6	29S-7D5137-78	114-380036-101	BREAK-TIP RH DE-ICE BOOT	1	8.5
7	29S-7D5137-25	114-380036-51	HORIZONTAL STABILIZER LH DE-ICE BOOT	1	3.8
8	29S-7D5137-26	114-380036-53	HORIZONTAL STABILIZER RH DE-ICE BOOT	1	3.8
9	29S-7D5137-15	114-380036-23	STABILON LH DE-ICE BOOT	1	1.1
10	29S-7D5137-16	114-380036-25	STABILON RH DE-ICE BOOT	1	1.1
11	25S-4D5201-05	114-380036-105	TAILLET LH DE-ICE BOOT	1	0.8
12	25S-4D5201-06	114-380036-107	TAILLET RH DE-ICE BOOT	1	0.8

\*ESTANE® DE-ICERS HAVE A SURFACE PLY RESISTANT TO DIESTER TYPE ENGINE OIL

**OPTIONAL STANDARD DE-ICE BOOTS**

POSITION ID	GOODRICH PART NUMBER	AIRCRAFT OEM P/N	DESCRIPTION	QTY PER AIRCRAFT	WT
5	29S-7D5137-55	114-380036-43	BREAK-TIP LH (ESTANE®) DE-ICE BOOT	1	8.5
6	29S-7D5137-56	114-380036-45	BREAK-TIP RH (ESTANE®) DE-ICE BOOT	1	8.5
6	29S-7D5137-76	114-380036-97	BREAK-TIP RH (ESTANE®) DE-ICE BOOT	1	8.9

**FASTboot® DE-ICE BOOTS**

POSITION ID	GOODRICH PART NUMBER	AIRCRAFT OEM P/N	DESCRIPTION	QTY PER AIRCRAFT	WT
1	P29S-7D5137-21	114-380067-47	FASTBOOT® FUSELAGE-NACELLE LH DE-ICE BOOT	1	2.8
2	P29S-7D5137-22	114-380067-49	FASTBOOT® FUSELAGE-NACELLE RH DE-ICE BOOT	1	2.3
3	P29S-7D5137-23	114-380067-55	FASTBOOT® NACELLE-BREAK LH DE-ICE BOOT	1	1.3
4	P29S-7D5137-24	114-380067-57	FASTBOOT® NACELLE-BREAK RH DE-ICE BOOT	1	1.3
5	P29S-7D5137-77	114-380067-99	FASTBOOT® BREAK-TIP LH DE-ICE BOOT	1	8.5
6	P29S-7D5137-78	114-380067-101	FASTBOOT® BREAK-TIP RH DE-ICE BOOT	1	8.5
7	P29S-7D5137-25	114-380067-51	FASTBOOT® HORIZONTAL STABILIZER LH DE-ICE BOOT	1	3.8
8	P29S-7D5137-26	114-380067-53	FASTBOOT® HORIZONTAL STABILIZER RH DE-ICE BOOT	1	3.8
9	P29S-7D5137-15	114-380067-23	FASTBOOT® STABILON LH DE-ICE BOOT	1	1.1
10	P29S-7D5137-16	114-380067-25	FASTBOOT® STABILON RH DE-ICE BOOT	1	1.1
11	P29S-4D5201-05	114-380067-105	FASTBOOT® TAILLET LH DE-ICE BOOT	1	1.0
12	P29S-4D5201-06	114-380067-107	FASTBOOT® TAILLET RH DE-ICE BOOT	1	1.0

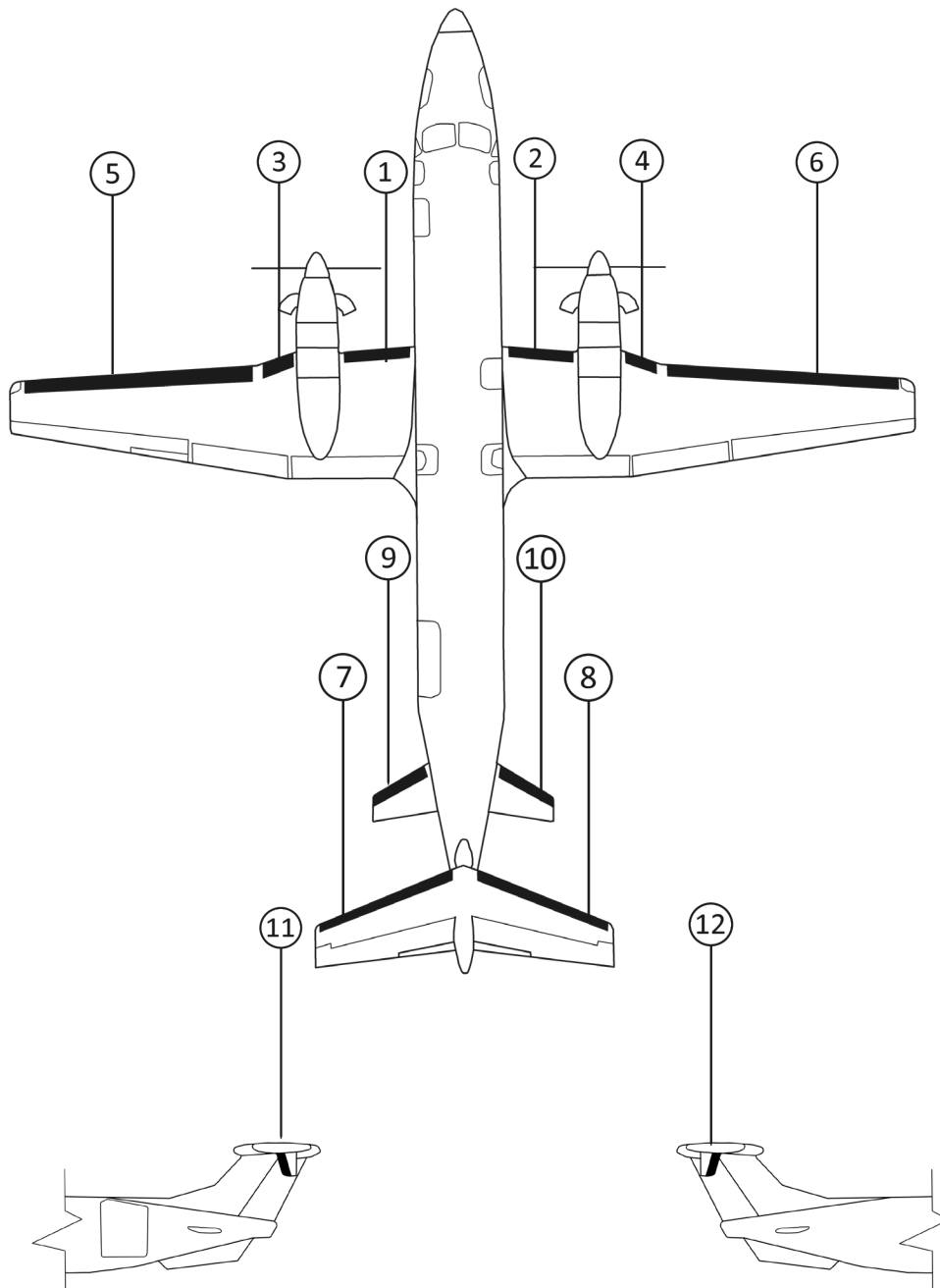
(CONTINUED ON PAGE 142)

**BEECHCRAFT 1900D (AIRLINER)**

**OPTIONAL FASTboot® DE-ICE BOOTS**

POSITION ID	GOODRICH PART NUMBER	AIRCRAFT OEM P/N	DESCRIPTION	QTY PER AIRCRAFT	WT
5	P29S-7D5137-55	114-380067-43	FASTBOOT® BREAK-TIP LH (ESTANE®) DE-ICE BOOT	1	8.5
6	P29S-7D5137-56	114-380067-45	FASTBOOT® BREAK-TIP RH (ESTANE®) DE-ICE BOOT	1	8.5
6	P29S-7D5137-76	114-380067-97	FASTBOOT® BREAK-TIP RH (ESTANE®) DE-ICE BOOT	1	8.9

\*ESTANE® DE-ICERS HAVE A SURFACE PLY RESISTANT TO DIESTER TYPE ENGINE OIL

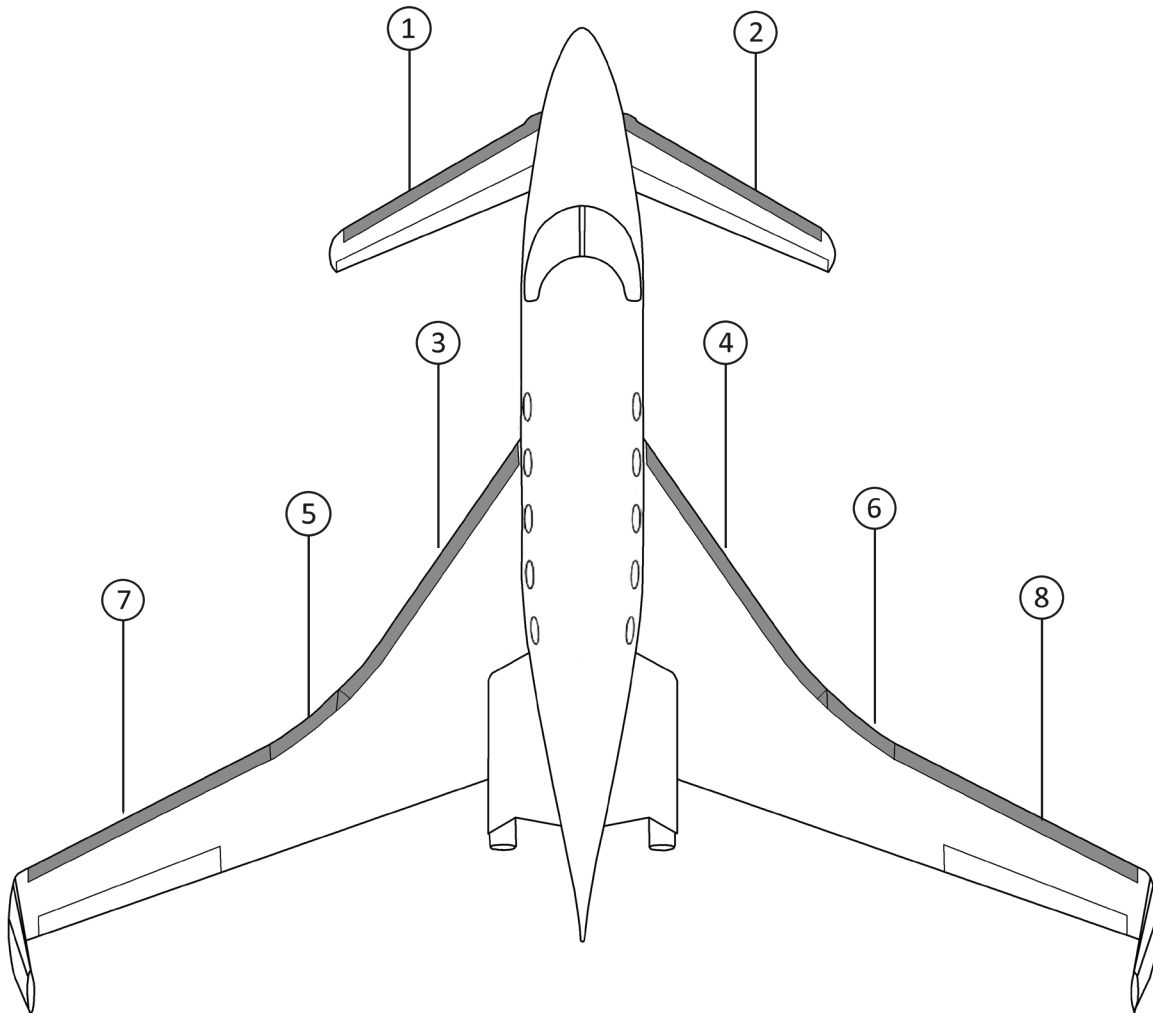


**BEECHCRAFT 1900D (AIRLINER)**

**BEECHCRAFT 2000 (STARSHIP)**

**STANDARD DE-ICE BOOTS**

POSITION ID	GOODRICH PART NUMBER	AIRCRAFT OEM P/N	DESCRIPTION	QTY PER AIRCRAFT	WT
1	S29S-7D5220-09		FORWARD WING LH SILVERBOOT™ DE-ICE BOOT	1	7.5
2	S29S-7D5220-10		FORWARD WING RH SILVERBOOT™ DE-ICE BOOT	1	7.5
3	S29S-7D5220-11		MAIN WING INBOARD LH SILVERBOOT™ DE-ICE BOOT	1	9.7
4	S29S-7D5220-12		MAIN WING INBOARD RH SILVERBOOT™ DE-ICE BOOT	1	9.7
5	S29S-7D5220-13		MAIN WING CENTER LH SILVERBOOT™ DE-ICE BOOT	1	3.0
6	S29S-7D5220-14		MAIN WING CENTER RH SILVERBOOT™ DE-ICE BOOT	1	3.0
7	S29S-7D5220-15		MAIN WING OUTBOARD LH SILVERBOOT™ DE-ICE BOOT	1	8.5
8	S29S-7D5220-16		MAIN WING OUTBOARD RH SILVERBOOT™ DE-ICE BOOT	1	8.5



**BEECHCRAFT 2000 (STARSHIP)**

## De-ice boot care products



*Aerospace Protectant™ (32 fl. oz.) P/N 74-451-237-32*

### Goodrich® Aerospace Protectant™

- Approved for use on all Goodrich de-icers
- Near 100 percent prevention of UV-caused slow fade
- Resistance to dust, soiling and staining
- Water-based formula is environmentally friendly
- Apply as needed – no surface stripping required



*Aerospace Cleaner™ (32 fl. oz.) P/N 74-451-238-32*

### Goodrich® Aerospace Cleaner™

- Approved for use on all Goodrich de-icers
- Can be used on all water-safe materials
- Water-based formula is environmentally friendly
- Apply as needed – no surface stripping required
- Great for removing dirt, grime and bugs

**DE-ICER PATCHES  
AND PIN HOLE KITS  
ALSO AVAILABLE**



*AgeMaster® #1 P/N 74-451-127*

### AgeMaster® #1

- Rubber preservative that protects against weathering, ozone and ultraviolet rays
- Apply six months after new de-icer is installed
- Reapply every 150 flight hours (twice yearly)
- One quart covers approximately 90 sq. ft. (8.3 sq. m.)



*ICEX®II - 6oz  
ICEX®II - Pump  
ICEX®II - Quart*

### ICEX®II

- Ice adhesion inhibitor that enhances de-icer performance
- Apply every 50 flight hours during icing season
- One quart covers approximately 400 sq. ft. (37 sq. m)



*ShineMaster™ Prep P/N 74-451-179  
ShineMaster™ P/N 74-451-178*

### ShineMaster™

- Cosmetic coating that provides a high-luster shine
- Clean de-icer with ShineMaster Prep before applying 2-3 light coats
- One pint covers approximately 200 sq. ft. (18.6 sq. m)
- Reapply as desired

Specifications subject to change without notice.



**GOODRICH FASTBOOT® PNEUMATIC DE-ICERS****PROVEN PERFORMANCE****Over 20 years experience  
manufacturing and installing Pressure  
Sensitive Adhesive (PSA) de-icers**

Collins Aerospace manufactures Goodrich pneumatic de-icing boots with our patented FASTboot adhesive system, which saves you time and improves aircraft readiness.

Goodrich FASTboot pneumatic de-icers take the guess work out of de-icer installation. The pre-applied adhesive provides a smooth and consistent de-icer bond at a fraction of the time needed for application of standard de-icers. Simply add the primer to the clean leading-edge surface and allow a five-minute dry time. Following the approved installation procedure, peel and stick the pneumatic de-icer to the leading edge of your aircraft.

**KEY BENEFITS/FEATURES**

- Reduces installation time
- FASTboot de-icers can be flown immediately
- De-icers can be inflated two hours after installation
- Reduces hazardous waste through pre-applied adhesive
- Initial installation guarantee

**COMPARISON OF STANDARD AND GOODRICH FASTBOOT® PNEUMATIC DE-ICERS**

	Goodrich FASTboot de-icers	Standard de-icers
Installation Materials	Primer	Cement / solvent
Installation Labor	2-3 coats primer / peel and stick	2 coats adhesive / reactivate
Installation Time	5 minute dry time for primer	2 coats adhesive with 1 hour dry time between coats
Turn Time	1 hour set time	24-48 hour set time prior to de-ice inflation
Final Finish	Edge sealant	Edge sealant
Environmental Impact	Clean primer brush	Hazardous waste includes adhesive, solvents and rags

*FASTboot Primer P/N 74-451-207*

**Goodrich® FASTboot Primer**

- 1/2 pint covers approximately 15 sq. ft.
- No shelf life - on condition
- Easy application



**CESSNA 208 (CARAVAN)**
**STANDARD DE-ICE BOOTS**

POSITION ID	GOODRICH PART NUMBER	AIRCRAFT OEM P/N	DESCRIPTION	QTY PER AIRCRAFT	WT
1	25S-7D5175-01		INBOARD WING LH DE-ICE BOOT	1	5.6
2	25S-7D5175-02		INBOARD WING RH DE-ICE BOOT	1	5.6
3	25S-7D5175-11		OUTBOARD WING LH DE-ICE BOOT	1	3.8
4	25S-7D5175-12		OUTBOARD WING RH DE-ICE BOOT	1	3.8
5	25S-7D5175-09		STRUT LH/RH DE-ICE BOOT	2	1.5
6	25S-7D5175-05		HORIZONTAL STABILIZER LH/RH DE-ICE BOOT	2	2.8
7	25S-7D5175-07		VERTICAL STABILIZER DE-ICE BOOT	1	1.4
9	35S-7D5175-21		MLG FAIRING LH DE-ICE BOOT	1	0.4
10	35S-7D5175-22		MLG FAIRING RH DE-ICE BOOT	1	0.4

**OPTIONAL STANDARD DE-ICE BOOTS**

POSITION ID	GOODRICH PART NUMBER	AIRCRAFT OEM P/N	DESCRIPTION	QTY PER AIRCRAFT	WT
1	29S-7D5175-23*		INBOARD WING LH DE-ICE BOOT	1	6.3
2	29S-7D5175-24*		INBOARD WING RH DE-ICE BOOT	1	6.3
5	29S-7D5175-31*		STRUT LH/RH DE-ICE BOOT	2	1.7
6	29S-7D5175-27*		HORIZONTAL STABILIZER LH/RH DE-ICE BOOT	2	3.1
7	29S-7D5175-29*		VERTICAL STABILIZER DE-ICE BOOT	1	1.5
8	29S-7D5175-15		CARGO BOX DE-ICE BOOT	1	3.1

\*(P)29S-7D5175 DE-ICERS ARE INTERCHANGABLE WITH EQUIVALENT (P)25S-7D5175 DE-ICERS

**FASTboot® DE-ICE BOOTS**

POSITION ID	GOODRICH PART NUMBER	AIRCRAFT OEM P/N	DESCRIPTION	QTY PER AIRCRAFT	WT
1	P25S-7D5175-01		FASTBOOT® INBOARD WING LH DE-ICE BOOT	1	5.6
2	P25S-7D5175-02		FASTBOOT® INBOARD WING RH DE-ICE BOOT	1	5.6
3	P25S-7D5175-11		FASTBOOT® OUTBOARD WING LH DE-ICE BOOT	1	3.8
4	P25S-7D5175-12		FASTBOOT® OUTBOARD WING RH DE-ICE BOOT	1	3.8
5	P25S-7D5175-09		FASTBOOT® STRUT LH/RH DE-ICE BOOT	2	1.5
6	P25S-7D5175-05		FASTBOOT® HORIZONTAL STABILIZER LH/RH DE-ICE BOOT	2	2.8
7	P25S-7D5175-07		FASTBOOT® VERTICAL STABILIZER DE-ICE BOOT	1	1.4

**OPTIONAL FASTboot® DE-ICE BOOTS**

POSITION ID	GOODRICH PART NUMBER	AIRCRAFT OEM P/N	DESCRIPTION	QTY PER AIRCRAFT	WT
1	P29S-7D5175-23*		FASTBOOT® INBOARD WING LH DE-ICE BOOT	1	6.3

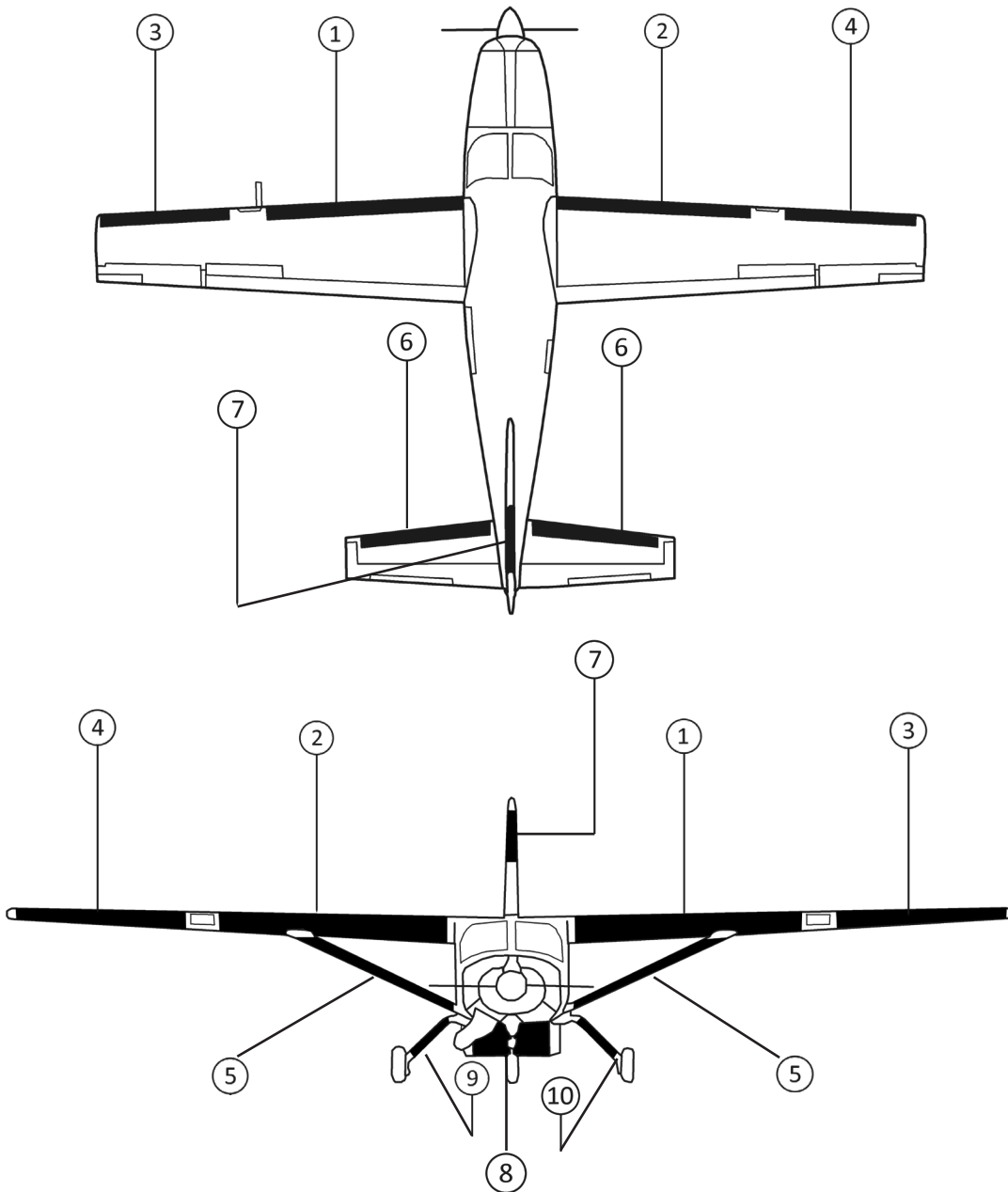
(CONTINUED ON PAGE 164)

**CESSNA 208 (CARAVAN)**

**OPTIONAL FASTboot® DE-ICE BOOTS (CONTINUED)**

POSITION ID	GOODRICH PART NUMBER	AIRCRAFT OEM P/N	DESCRIPTION	QTY PER AIRCRAFT	WT
2	P29S-7D5175-24*		FASTBOOT® INBOARD WING RH DE-ICE BOOT	1	6.3
5	P29S-7D5175-31*		FASTBOOT® STRUT LH/RH DE-ICE BOOT	2	1.7
6	P29S-7D5175-27*		FASTBOOT® HORIZONTAL STABILIZER LH/RH DE-ICE BOOT	2	3.1
7	P29S-7D5175-29*		FASTBOOT® VERTICAL STABILIZER DE-ICE BOOT	1	1.5

\* (P)29S-7D5175 DE-ICERS ARE INTERCHANGABLE WITH EQUIVALENT (P)25S-7D5175 DE-ICERS



**CESSNA 208 (CARAVAN)**

**CESSNA 208A (CARAVAN)**
**STANDARD DE-ICE BOOTS**

POSITION ID	GOODRICH PART NUMBER	AIRCRAFT OEM P/N	DESCRIPTION	QTY PER AIRCRAFT	WT
1	25S-7D5175-01		INBOARD WING LH DE-ICE BOOT	1	5.6
2	25S-7D5175-02		INBOARD WING RH DE-ICE BOOT	1	5.6
3	25S-7D5175-11		OUTBOARD WING LH DE-ICE BOOT	1	3.8
4	25S-7D5175-12		OUTBOARD WING RH DE-ICE BOOT	1	3.8
5	25S-7D5175-09		STRUT LH/RH DE-ICE BOOT	2	1.5
6	25S-7D5175-05		HORIZONTAL STABILIZER LH/RH DE-ICE BOOT	2	2.8
7	25S-7D5175-13		VERTICAL STABILIZER DE-ICE BOOT	1	1.8
9	35S-7D5175-21		MLG FAIRING LH DE-ICE BOOT	1	0.4
10	35S-7D5175-22		MLG FAIRING RH DE-ICE BOOT	1	0.4

**OPTIONAL STANDARD DE-ICE BOOTS**

POSITION ID	GOODRICH PART NUMBER	AIRCRAFT OEM P/N	DESCRIPTION	QTY PER AIRCRAFT	WT
1	29S-7D5175-23*		INBOARD WING LH DE-ICE BOOT	1	6.3
2	29S-7D5175-24*		INBOARD WING RH DE-ICE BOOT	1	6.3
3	29S-7D5175-25*		OUTBOARD WING LH DE-ICE BOOT	1	4.3
4	29S-7D5175-26*		OUTBOARD WING RH DE-ICE BOOT	1	4.3
5	29S-7D5175-31*		STRUT LH/RH DE-ICE BOOT	2	1.7
6	29S-7D5175-27*		HORIZONTAL STABILIZER LH/RH DE-ICE BOOT	2	3.1
7	29S-7D5175-29*		VERTICAL STABILIZER DE-ICE BOOT	1	1.5
8	29S-7D5175-15		CARGO BOX DE-ICE BOOT	1	3.1
8	29S-7D5175-20		CARGO BOX (ESTANE®) DE-ICE BOOT	1	3.1

ESTANE® DE-ICERS HAVE A SURFACE PLY RESISTANT TO DIESTER TYPE ENGINE OIL

\*(P)29S-7D5175 DE-ICERS ARE INTERCHANGABLE WITH EQUIVALENT (P)25S-7D5175 DE-ICERS

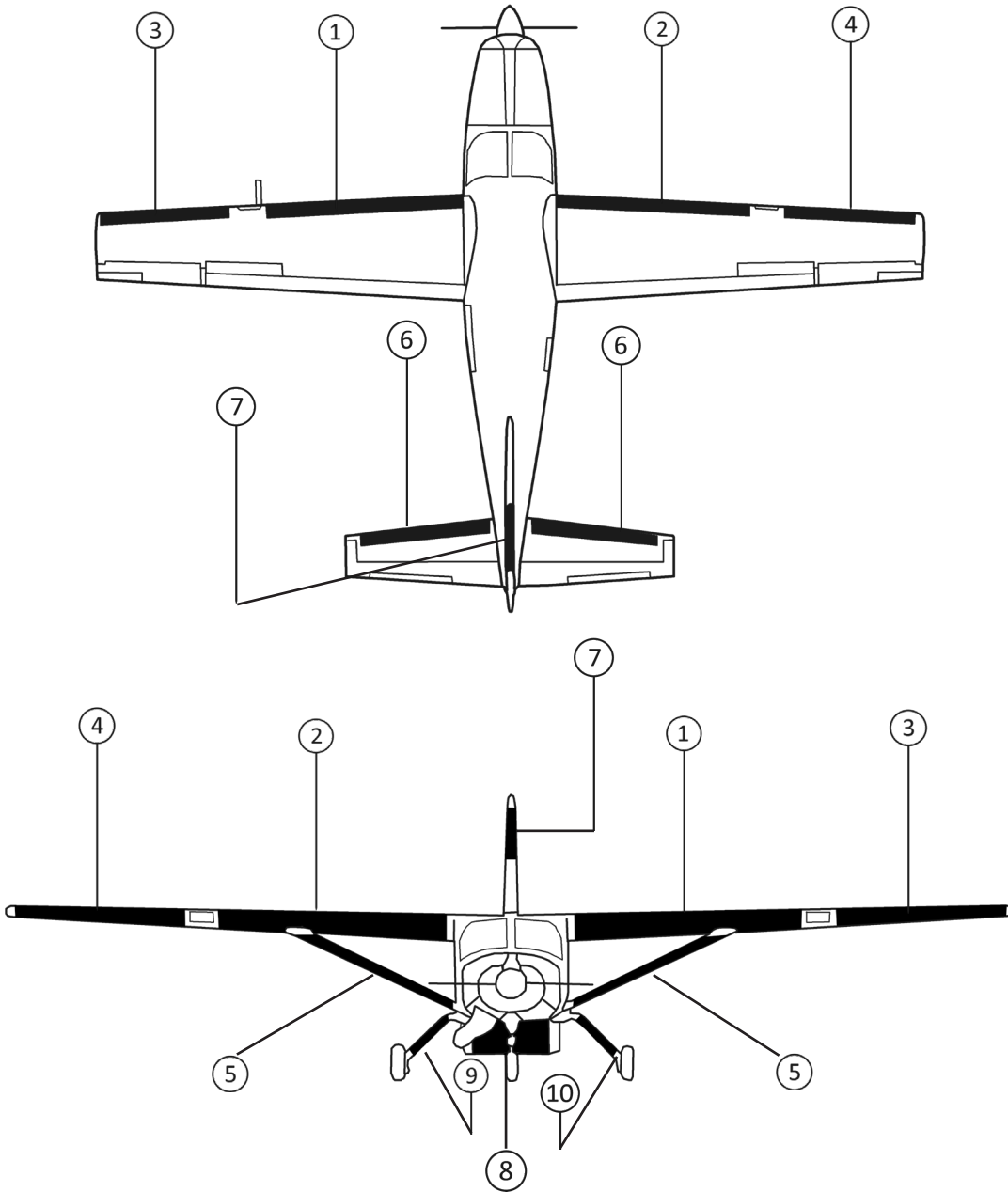
**FASTboot® DE-ICE BOOTS**

POSITION ID	GOODRICH PART NUMBER	AIRCRAFT OEM P/N	DESCRIPTION	QTY PER AIRCRAFT	WT
1	P25S-7D5175-01		FASTBOOT® INBOARD WING LH DE-ICE BOOT (ALTERNATE P/N 29S-7D5175-23)	1	5.6
2	P25S-7D5175-02		FASTBOOT® INBOARD WING RH DE-ICE BOOT (ALTERNATE P/N 29S-7D5175-24)	1	5.6
3	P25S-7D5175-11		FASTBOOT® OUTBOARD WING LH DE-ICE BOOT (REPLACES 25S-7D5175-03 - ALTERNATE P/N 29S-7D5175-25)	1	3.8
4	P25S-7D5175-12		FASTBOOT® OUTBOARD WING RH DE-ICE BOOT (REPLACES 25S-7D5175-04 - ALTERNATE P/N 29S-7D5175-26)	1	3.8
5	P25S-7D5175-09		FASTBOOT® STRUT DE-ICE BOOT (ALTERNATE P/N 29S-7D5175-31)	2	1.5

(CONTINUED ON PAGE 167)

**CESSNA 208A (CARAVAN)**

**CESSNA 208A (CARAVAN)**



**CESSNA 208A (CARAVAN)**
**FASTboot® DE-ICE BOOTS (CONTINUED)**

POSITION ID	GOODRICH PART NUMBER	AIRCRAFT OEM P/N	DESCRIPTION	QTY PER AIRCRAFT	WT
6	P25S-7D5175-05		FASTBOOT® HORIZONTAL STABILIZER LH/RH DE-ICE BOOT (ALTERNATE P/N 29S-7D5175-27)	2	2.8
7	P25S-7D5175-13		FASTBOOT® VERTICAL STABILIZER DE-ICE BOOT	1	1.8
9	P35S-7D5175-21		FASTBOOT® MLG FAIRING DE-ICE BOOT	1	0.4
10	P35S-7D5175-22		FASTBOOT® MLG FAIRING DE-ICE BOOT	1	0.4

\*(P)29S-7D5175 DE-ICERS ARE INTERCHANGABLE WITH EQUIVALENT (P)25S-7D5175 DE-ICERS

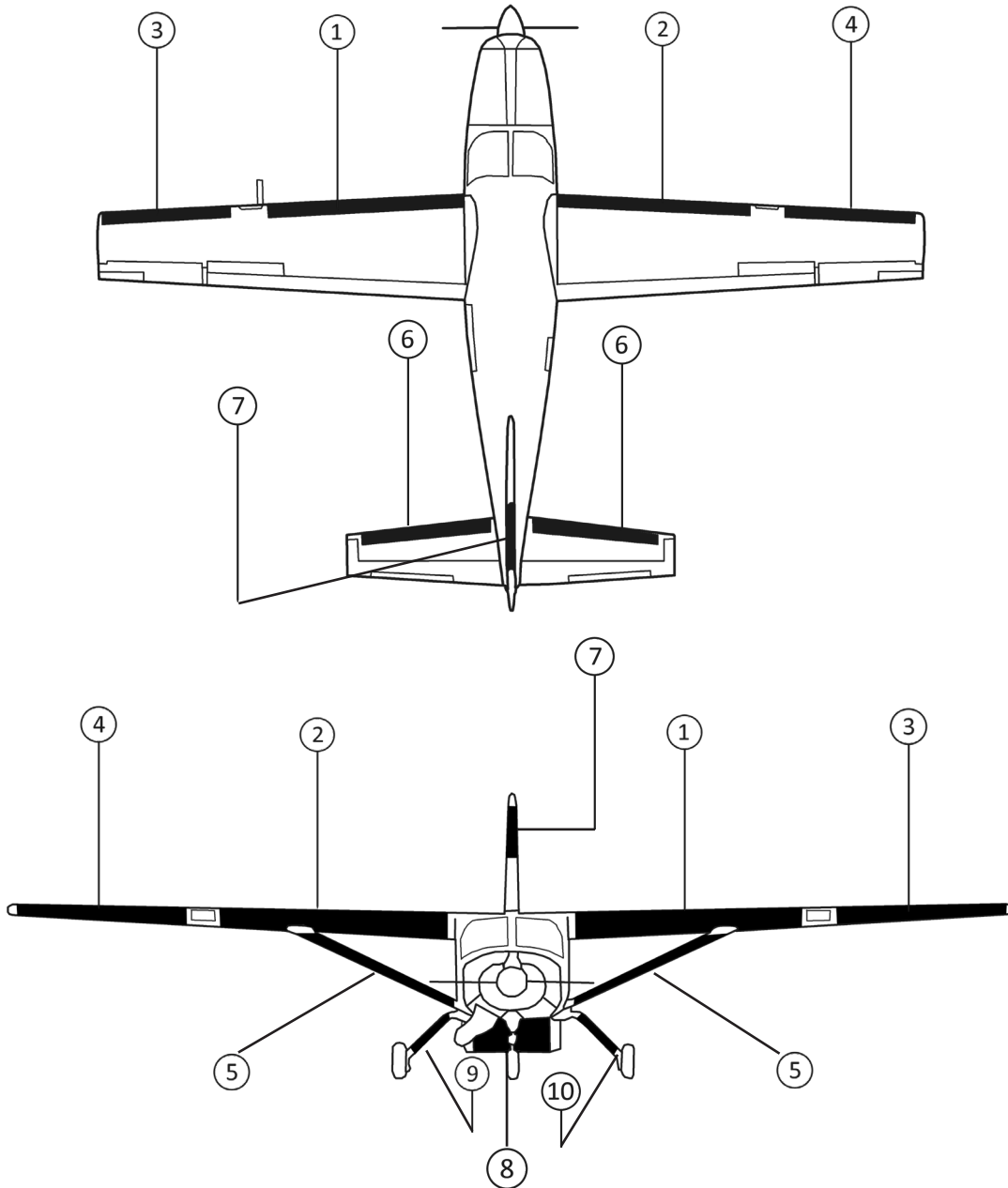
**OPTIONAL FASTboot® DE-ICE BOOTS**

POSITION ID	GOODRICH PART NUMBER	AIRCRAFT OEM P/N	DESCRIPTION	QTY PER AIRCRAFT	WT
1	P29S-7D5175-23*		FASTBOOT® INBOARD WING LH DE-ICE BOOT (ALTERNATE P/N 25S-7D5175-01)	1	6.3
2	P29S-7D5175-24*		FASTBOOT® INBOARD WING RH DE-ICE BOOT (ALTERNATE P/N 25S-7D5175-01)	1	6.3
3	P29S-7D5175-25*		FASTBOOT® OUTBOARD WING LH DE-ICE BOOT (REPLACES 25S-7D5175-03 - ALTERNATE P/N 29S-7D5175-11)	1	4.3
4	P29S-7D5175-26*		FASTBOOT® OUTBOARD WING RH DE-ICE BOOT (REPLACES 25S-7D5175-04 - ALTERNATE P/N 29S-7D5175-12)	1	4.3
6	P29S-7D5175-27*		FASTBOOT® HORIZONTAL STABILIZER LH/RH DE-ICE BOOT (ALTERNATE P/N 25S-7D5175-05)	2	3.1
7	P29S-7D5175-29*		FASTBOOT® VERTICAL FIN DE-ICE BOOT (ALTERNATE P/N 25S-7D5175-07)	1	1.5
5	P29S-7D5175-31*		FASTBOOT® STRUT DE-ICE BOOT (ALTERNATE P/N 25S-7D5175-09)	2	1.7

\*(P)29S-7D5175 DE-ICERS ARE INTERCHANGABLE WITH EQUIVALENT (P)25S-7D5175 DE-ICERS

**CESSNA 208A (CARAVAN)**

**CESSNA 208A (CARAVAN)**





**CESSNA 208B (GRAND CARAVAN)**
**STANDARD DE-ICE BOOTS**

POSITION ID	GOODRICH PART NUMBER	AIRCRAFT OEM P/N	DESCRIPTION	QTY PER AIRCRAFT	WT
1	25S-7D5175-01		INBOARD WING LH DE-ICE BOOT	1	5.6
2	25S-7D5175-02		INBOARD WING RH DE-ICE BOOT	1	5.6
3	25S-7D5175-11		OUTBOARD WING LH DE-ICE BOOT	1	3.8
4	25S-7D5175-12		OUTBOARD WING RH DE-ICE BOOT	1	3.8
5	25S-7D5175-09		STRUT LH/RH DE-ICE BOOT	2	1.5
6	25S-7D5175-05		HORIZONTAL STABILIZER LH/RH DE-ICE BOOT	2	2.8
7	25S-7D5175-13		VERTICAL STABILIZER DE-ICE BOOT	1	1.8
9	35S-7D5175-21		MLG FAIRING LH DE-ICE BOOT	1	0.4
10	35S-7D5175-22		MLG FAIRING RH DE-ICE BOOT	1	0.4

**OPTIONAL STANDARD DE-ICE BOOTS**

POSITION ID	GOODRICH PART NUMBER	AIRCRAFT OEM P/N	DESCRIPTION	QTY PER AIRCRAFT	WT
1	29S-7D5175-23*		INBOARD WING LH DE-ICE BOOT	1	6.3
2	29S-7D5175-24*		INBOARD WING RH DE-ICE BOOT	1	6.3
3	29S-7D5175-25*		OUTBOARD WING LH DE-ICE BOOT	1	4.3
4	29S-7D5175-26*		OUTBOARD WING RH DE-ICE BOOT	1	4.3
5	29S-7D5175-31*		STRUT LH/RH DE-ICE BOOT	2	1.7
6	29S-7D5175-27*		HORIZONTAL STABILIZER LH/RH DE-ICE BOOT	2	3.1
7	29S-7D5175-29*		VERTICAL STABILIZER DE-ICE BOOT	1	1.5
8	29S-7D5175-15		CARGO BOX DE-ICE BOOT	1	3.1
8	29S-7D5175-20		CARGO BOX (ESTANE®) DE-ICE BOOT	1	3.1

ESTANE® DE-ICERS HAVE A SURFACE PLY RESISTANT TO DIESTER TYPE ENGINE OIL

\*(P) 29S-7D5175 DE-ICERS ARE INTERCHANGABLE WITH EQUIVALENT (P) 25S-7D5175 DE-ICERS

**FASTboot® DE-ICE BOOTS**

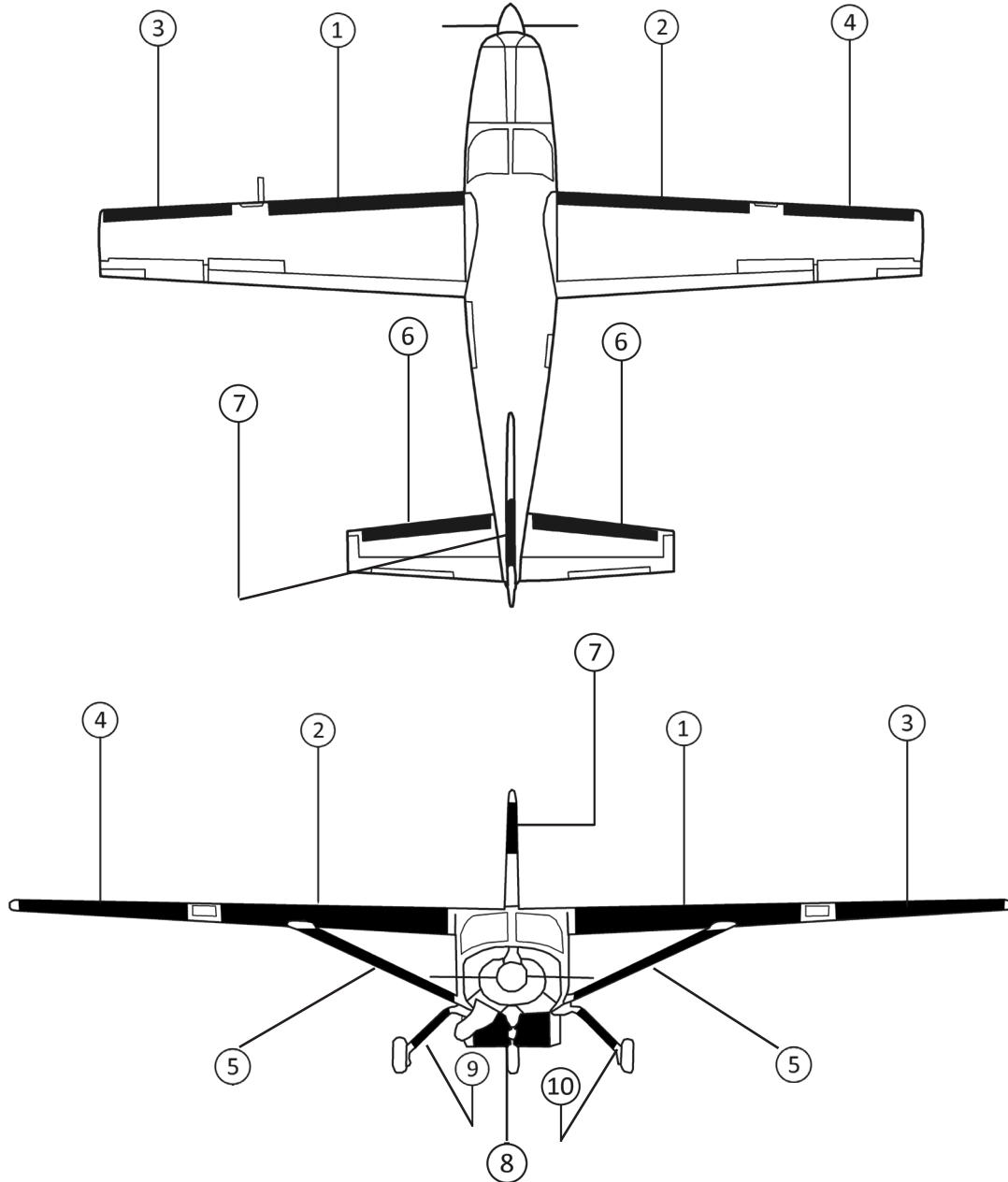
POSITION ID	GOODRICH PART NUMBER	AIRCRAFT OEM P/N	DESCRIPTION	QTY PER AIRCRAFT	WT
1	P25S-7D5175-01		FASTBOOT® INBOARD WING LH DE-ICE BOOT	1	5.6
2	P25S-7D5175-02		FASTBOOT® INBOARD WING RH DE-ICE BOOT	1	5.6
3	P25S-7D5175-11		FASTBOOT® OUTBOARD WING LH DE-ICE BOOT	1	3.8
4	P25S-7D5175-12		FASTBOOT® OUTBOARD WING RH DE-ICE BOOT	1	3.8
5	P25S-7D5175-09		FASTBOOT® STRUT LH/RH DE-ICE BOOT	2	1.5
6	P25S-7D5175-05		FASTBOOT® HORIZONTAL STABILIZER LH/RH DE-ICE BOOT	2	2.8
7	P25S-7D5175-07		FASTBOOT® VERTICAL STABILIZER DE-ICE BOOT	1	1.4

\*(P) 29S-7D5175 DE-ICERS ARE INTERCHANGABLE WITH EQUIVALENT (P) 25S-7D5175 DE-ICERS

(CONTINUED ON PAGE 171)

**CESSNA 208B (GRAND CARAVAN)**

**CESSNA 208B (GRAND CARAVAN)**



**CESSNA 208B (GRAND CARAVAN)**
**OPTIONAL FASTboot® DE-ICE BOOTS**

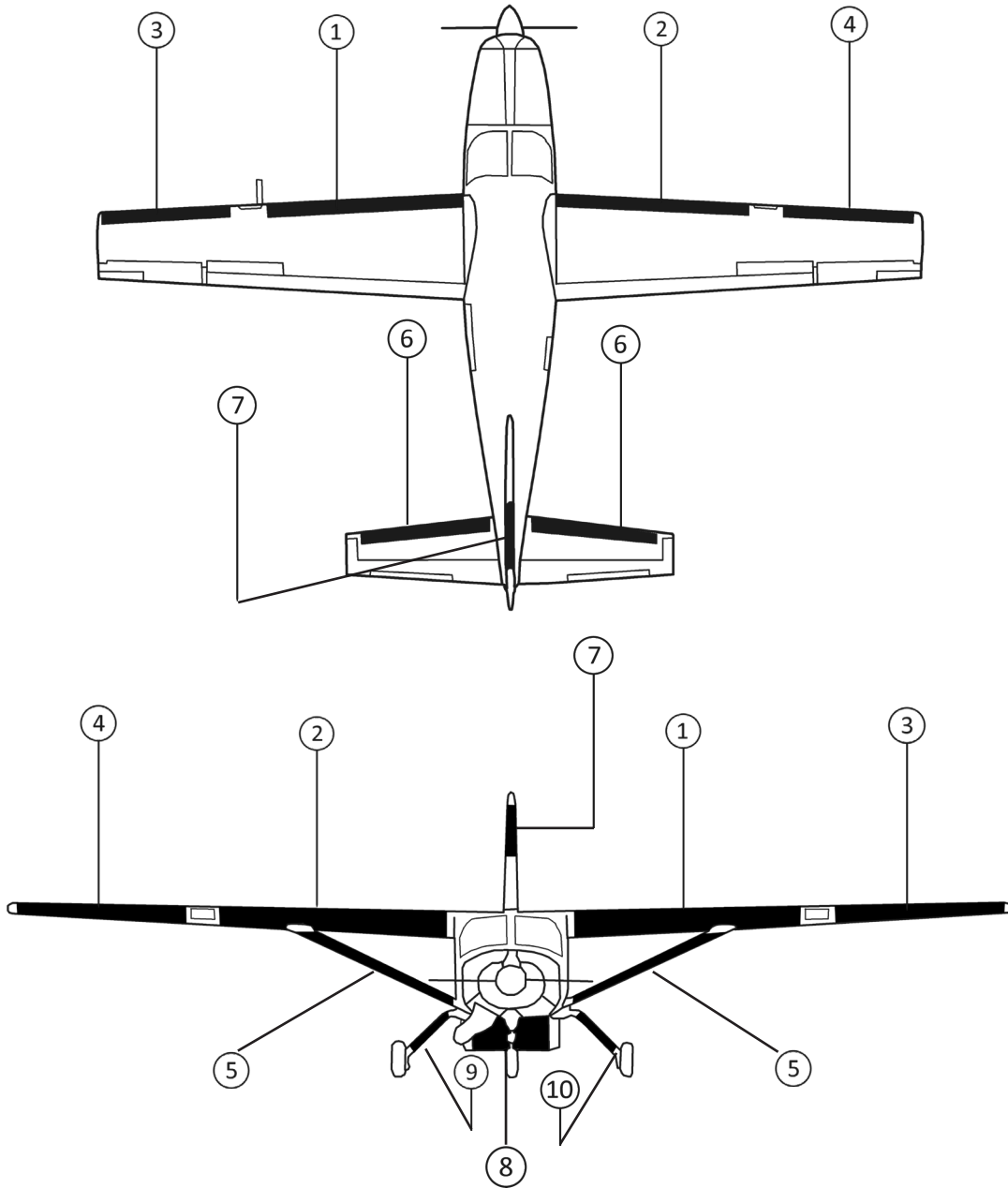
POSITION ID	GOODRICH PART NUMBER	AIRCRAFT OEM P/N	DESCRIPTION	QTY PER AIRCRAFT	WT
1	P29S-7D5175-23*		FASTBOOT® INBOARD WING LH DE-ICE BOOT	1	6.3
2	P29S-7D5175-24*		FASTBOOT® INBOARD WING RH DE-ICE BOOT	1	6.3
3	P29S-7D5175-25*		FASTBOOT® OUTBOARD WING LH DE-ICE BOOT (REPLACES 25S-7D5175-03 - ALTERNATE P/N 29S-7D5175-11)	1	4.3
4	P29S-7D5175-26*		FASTBOOT® OUTBOARD WING RH DE-ICE BOOT (REPLACES 25S-7D5175-04 - ALTERNATE P/N 29S-7D5175-12)	1	4.3
5	P29S-7D5175-31*		FASTBOOT® STRUT LH/RH DE-ICE BOOT	2	1.7
6	P29S-7D5175-27*		FASTBOOT® HORIZONTAL STABILIZER LH/RH DE-ICE BOOT	2	3.1
7	P29S-7D5175-29*		FASTBOOT® VERTICAL STABILIZER DE-ICE BOOT	1	1.5

\*(P) 29S-7D5175 DE-ICERS ARE INTERCHANGABLE WITH EQUIVALENT (P) 25S-7D5175 DE-ICERS

**CESSNA 208B (GRAND CARAVAN)**

**CESSNA 208B (GRAND CARAVAN)**

**CESSNA 208B (GRAND CARAVAN)**



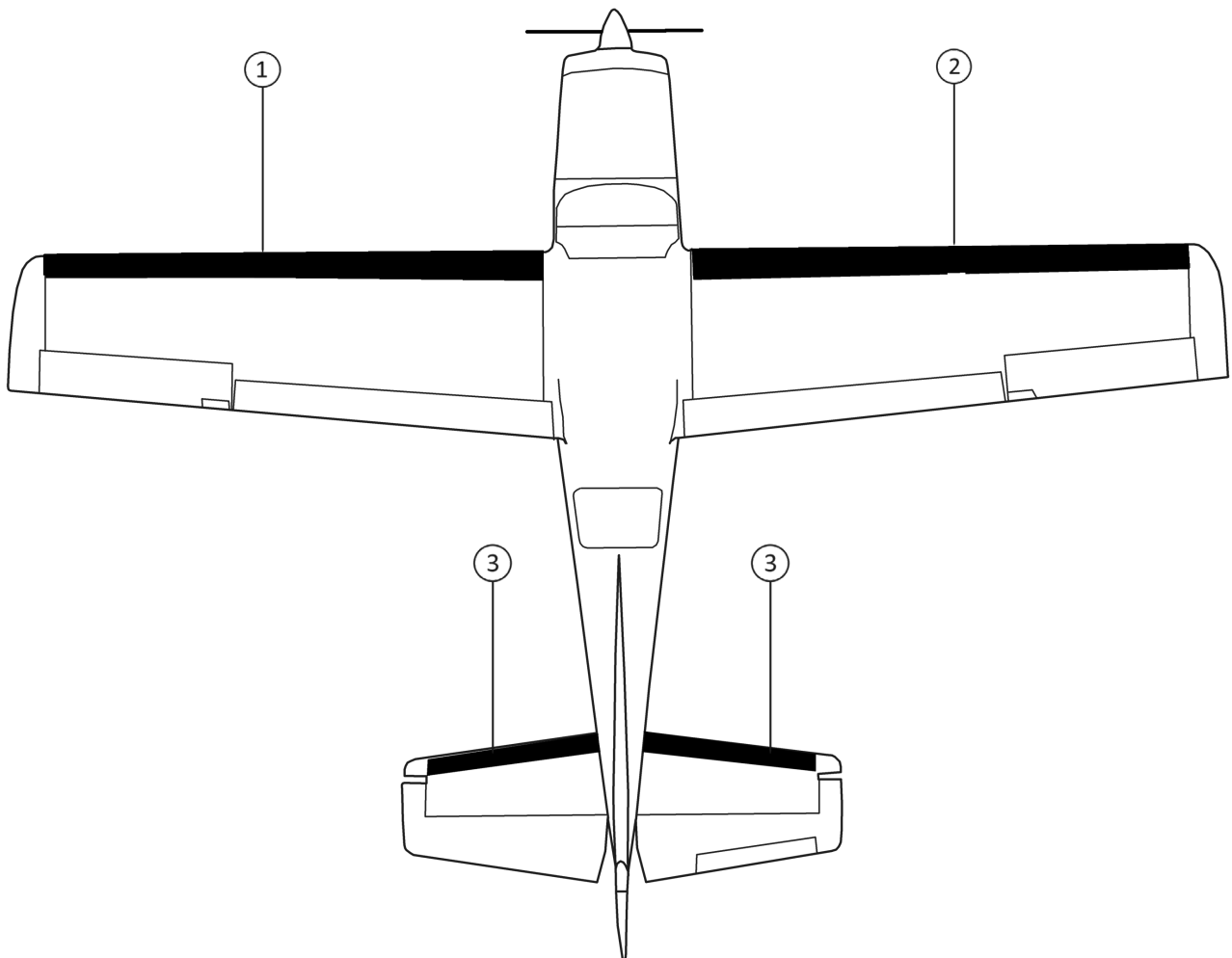
**CESSNA 210 (CENTURION)**
**STANDARD DE-ICE BOOTS**

POSITION ID	GOODRICH PART NUMBER	AIRCRAFT OEM P/N	DESCRIPTION	QTY PER AIRCRAFT	WT
1	23S-2038-6-1		WING LH DE-ICE BOOT	1	4.7
2	23S-2038-5-2		WING RH DE-ICE BOOT	1	4.8
3	23S-2038-3-1		HORIZONTAL STABILIZER LH/RH DE-ICE BOOT	2	1.5

**OPTIONAL STANDARD DE-ICE BOOTS**

POSITION ID	GOODRICH PART NUMBER	AIRCRAFT OEM P/N	DESCRIPTION	QTY PER AIRCRAFT	WT
1	23S-2038-5-1*		WING LH DE-ICE BOOT	1	4.3

\*23S-2038-5-1 IS SHORTER TO ACCOMMODATE LANDING LIGHT OPTION


**CESSNA 210 (CENTURION)**

**CESSNA 210A (CENTURION)**

**STANDARD DE-ICE BOOTS**

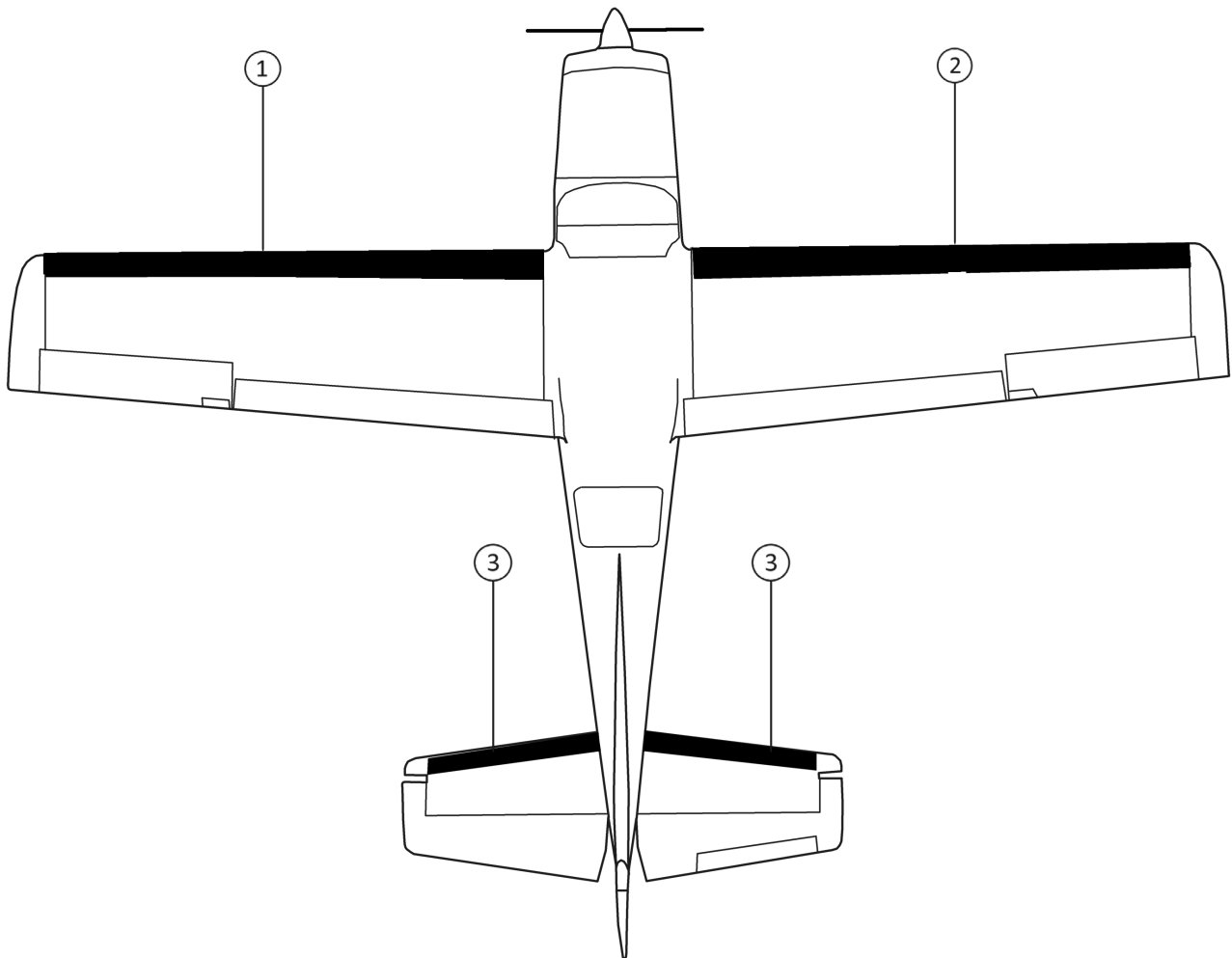
POSITION ID	GOODRICH PART NUMBER	AIRCRAFT OEM P/N	DESCRIPTION	QTY PER AIRCRAFT	WT
1	23S-2038-6-1		WING LH DE-ICE BOOT	1	4.7
2	23S-2038-5-2		WING RH DE-ICE BOOT	1	4.8
3	23S-2038-3-1		HORIZONTAL STABILIZER LH/RH DE-ICE BOOT	2	1.5

**OPTIONAL STANDARD DE-ICE BOOTS**

POSITION ID	GOODRICH PART NUMBER	AIRCRAFT OEM P/N	DESCRIPTION	QTY PER AIRCRAFT	WT
1	23S-2038-5-1*		WING LH DE-ICE BOOT	1	4.3

\*23S-2038-5-1 IS SHORTER TO ACCOMMODATE LANDING LIGHT OPTION

**CESSNA 210A (CENTURION)**



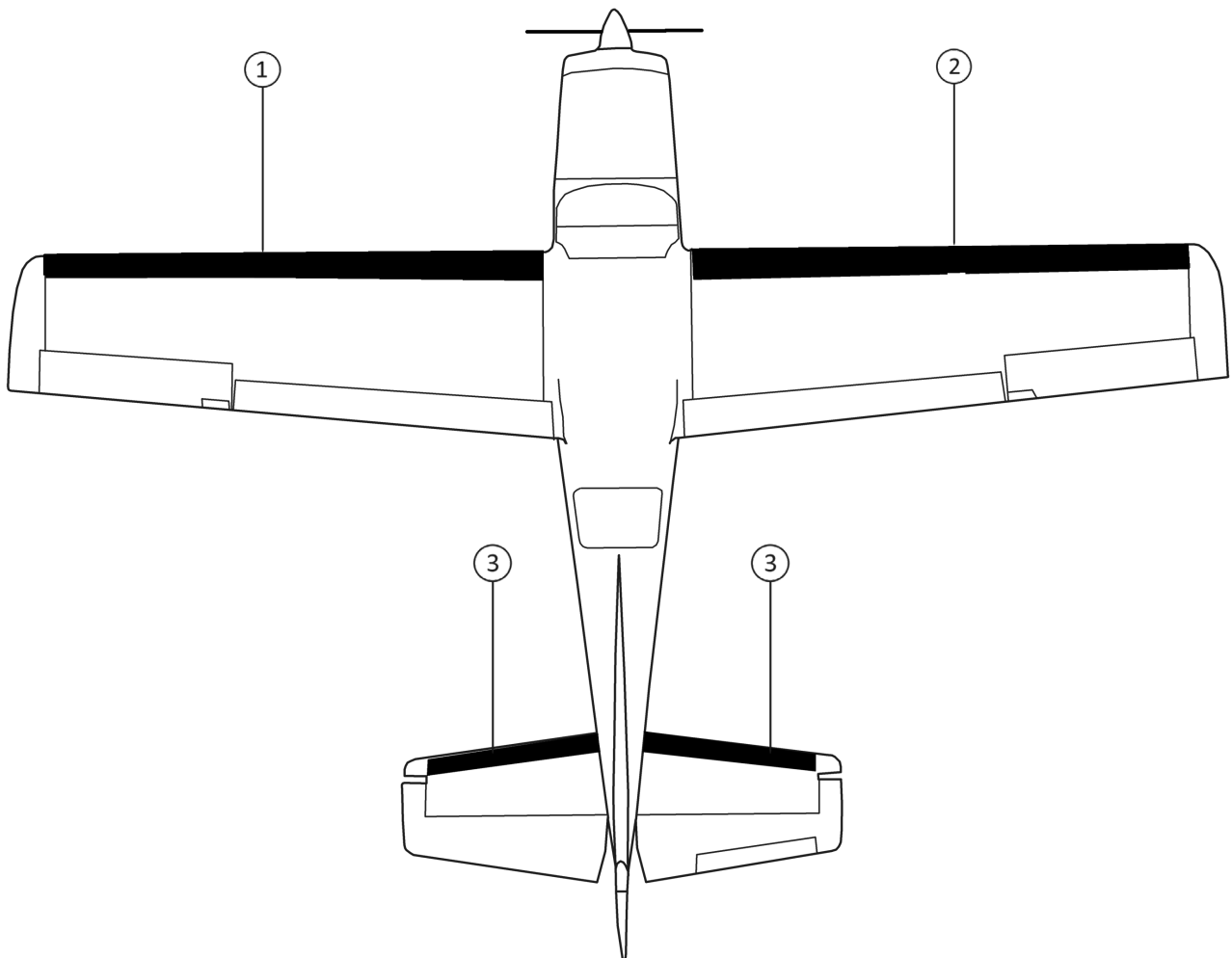
**CESSNA 210H (CENTURION)**
**STANDARD DE-ICE BOOTS**

POSITION ID	GOODRICH PART NUMBER	AIRCRAFT OEM P/N	DESCRIPTION	QTY PER AIRCRAFT	WT
1	23S-2038-6-1		WING LH DE-ICE BOOT	1	4.7
2	23S-2038-5-2		WING RH DE-ICE BOOT	1	4.8
3	23S-2038-3-1		HORIZONTAL STABILIZER LH/RH DE-ICE BOOT	2	1.5

**OPTIONAL STANDARD DE-ICE BOOTS**

POSITION ID	GOODRICH PART NUMBER	AIRCRAFT OEM P/N	DESCRIPTION	QTY PER AIRCRAFT	WT
1	23S-2038-5-1*		WING LH DE-ICE BOOT	1	4.3

\*23S-2038-5-1 IS SHORTER TO ACCOMMODATE LANDING LIGHT OPTION


**CESSNA 210H (CENTURION)**

**CESSNA 210J (CENTURION)**

**STANDARD DE-ICE BOOTS**

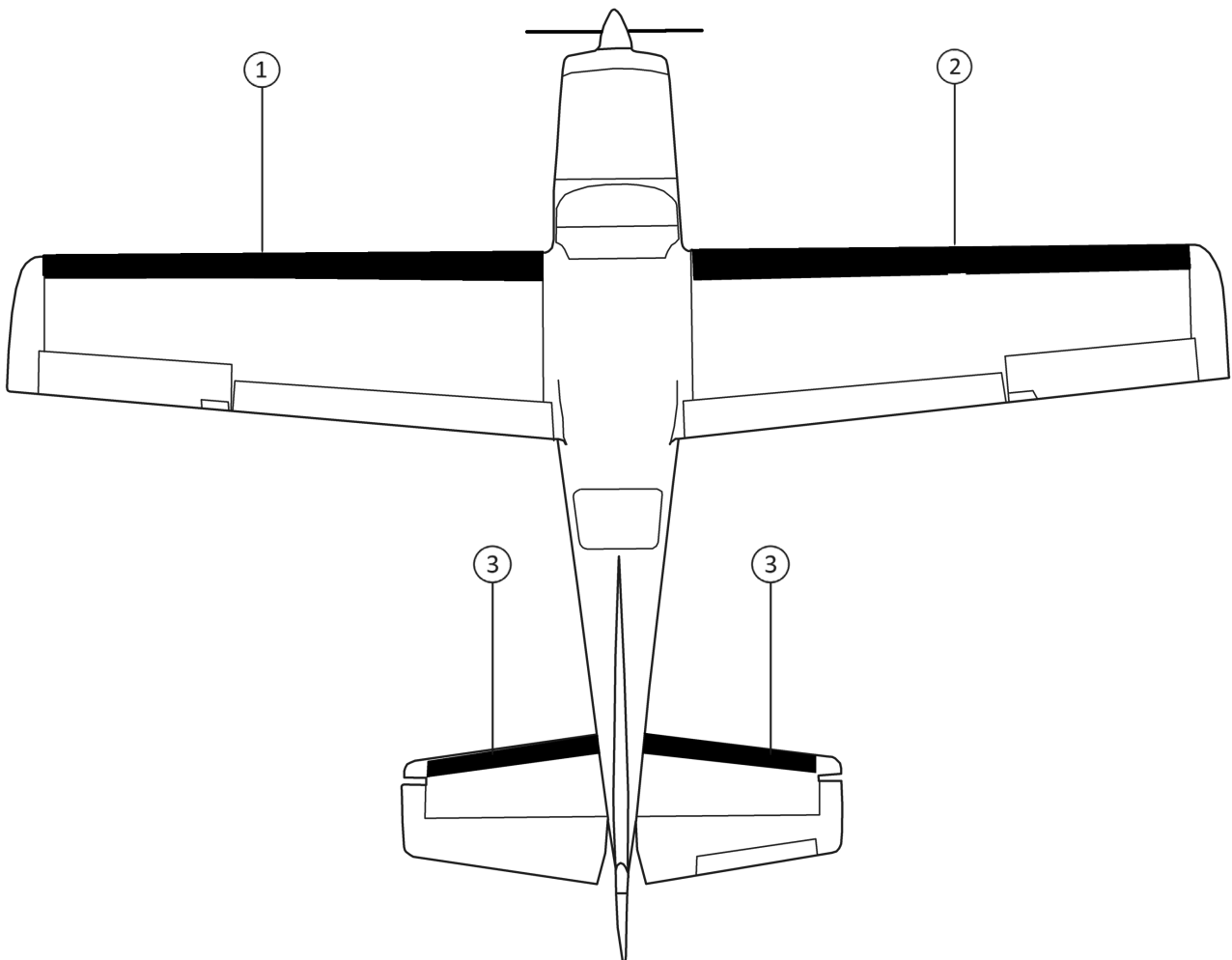
POSITION ID	GOODRICH PART NUMBER	AIRCRAFT OEM P/N	DESCRIPTION	QTY PER AIRCRAFT	WT
1	23S-2038-6-1		WING LH DE-ICE BOOT	1	4.7
2	23S-2038-5-2		WING RH DE-ICE BOOT	1	4.8
3	23S-2038-3-1		HORIZONTAL STABILIZER LH/RH DE-ICE BOOT	2	1.5

**OPTIONAL STANDARD DE-ICE BOOTS**

POSITION ID	GOODRICH PART NUMBER	AIRCRAFT OEM P/N	DESCRIPTION	QTY PER AIRCRAFT	WT
1	23S-2038-5-1*		WING LH DE-ICE BOOT	1	4.3

\*23S-2038-5-1 IS SHORTER TO ACCOMMODATE LANDING LIGHT OPTION

**CESSNA 210J (CENTURION)**





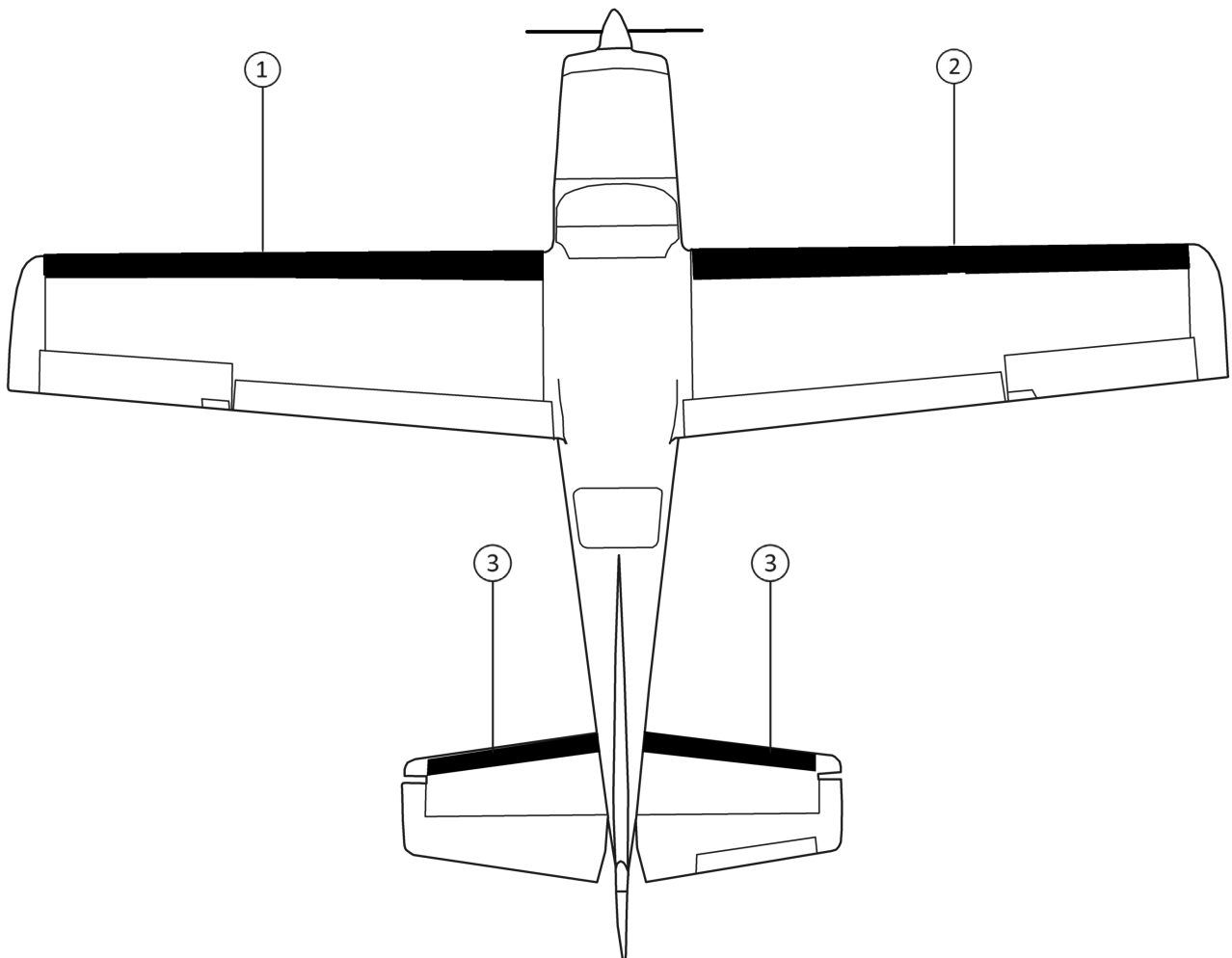
**CESSNA 210K (CENTURION)**
**STANDARD DE-ICE BOOTS**

POSITION ID	GOODRICH PART NUMBER	AIRCRAFT OEM P/N	DESCRIPTION	QTY PER AIRCRAFT	WT
1	23S-2038-6-1		WING LH DE-ICE BOOT	1	4.7
2	23S-2038-5-2		WING RH DE-ICE BOOT	1	4.8
3	23S-2038-3-1		HORIZONTAL STABILIZER LH/RH DE-ICE BOOT	2	1.5

**OPTIONAL STANDARD DE-ICE BOOTS**

POSITION ID	GOODRICH PART NUMBER	AIRCRAFT OEM P/N	DESCRIPTION	QTY PER AIRCRAFT	WT
1	23S-2038-5-1*		WING LH DE-ICE BOOT	1	4.3

\*23S-2038-5-1 IS SHORTER TO ACCOMMODATE LANDING LIGHT OPTION


**CESSNA 210K (CENTURION)**

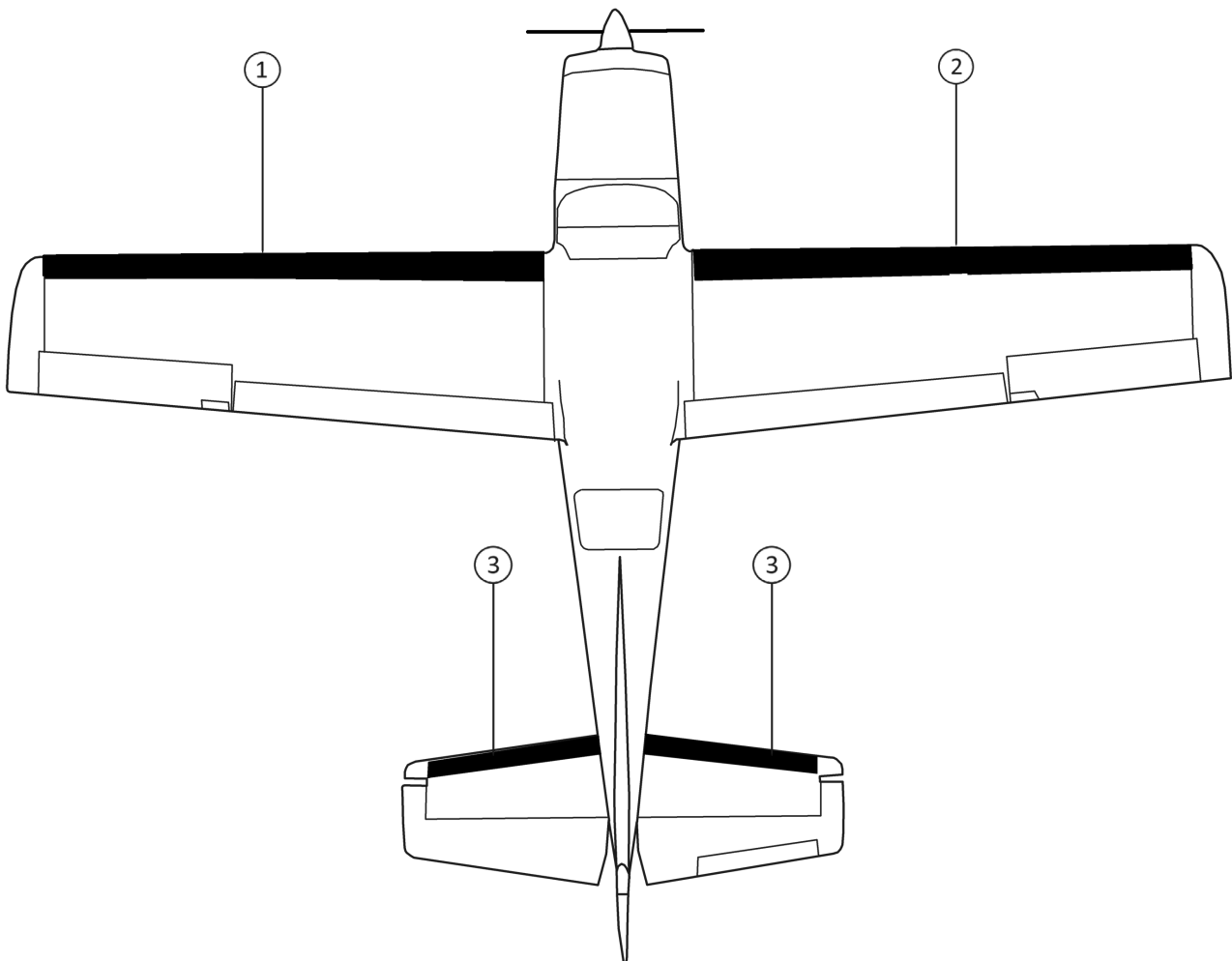
**CESSNA 210L (CENTURION)**
**STANDARD DE-ICE BOOTS**

POSITION ID	GOODRICH PART NUMBER	AIRCRAFT OEM P/N	DESCRIPTION	QTY PER AIRCRAFT	WT
1	23S-2038-6-1		WING LH DE-ICE BOOT	1	4.7
2	23S-2038-5-2		WING RH DE-ICE BOOT	1	4.8
3	23S-2038-3-1		HORIZONTAL STABILIZER LH/RH DE-ICE BOOT	2	1.5

**OPTIONAL STANDARD DE-ICE BOOTS**

POSITION ID	GOODRICH PART NUMBER	AIRCRAFT OEM P/N	DESCRIPTION	QTY PER AIRCRAFT	WT
1	23S-2038-5-1*		WING LH DE-ICE BOOT	1	4.3

\*23S-2038-5-1 IS SHORTER TO ACCOMMODATE LANDING LIGHT OPTION

**CESSNA 210L (CENTURION)**


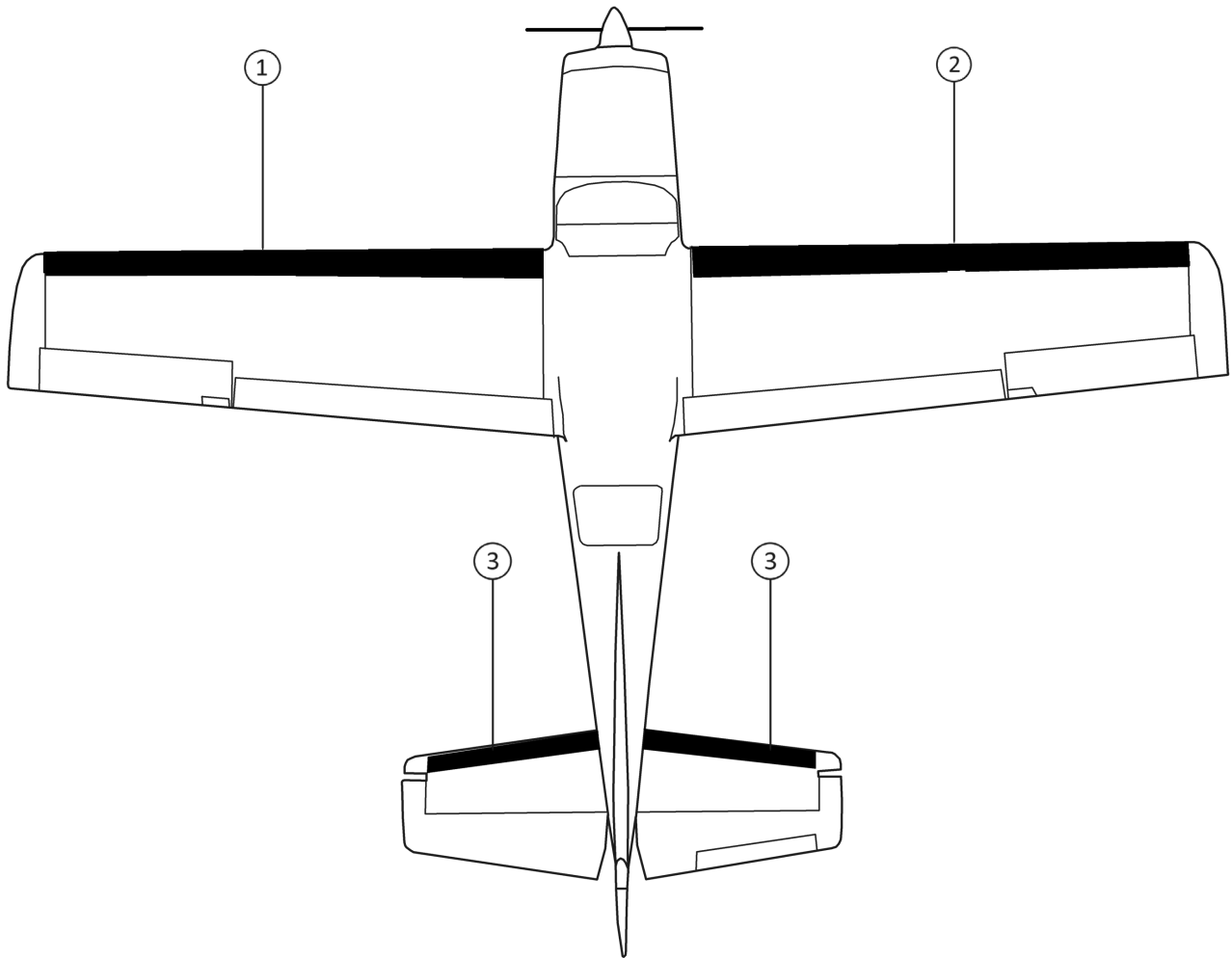
**CESSNA 210M (CENTURION) S/N TO 21062968**
**STANDARD DE-ICE BOOTS**

POSITION ID	GOODRICH PART NUMBER	AIRCRAFT OEM P/N	DESCRIPTION	QTY PER AIRCRAFT	WT
1	23S-2038-6-1		WING LH DE-ICE BOOT	1	4.7
2	23S-2038-5-2		WING RH DE-ICE BOOT	1	4.8
3	23S-2038-3-1		HORIZONTAL STABILIZER LH/RH DE-ICE BOOT	2	1.5

**OPTIONAL STANDARD DE-ICE BOOTS**

POSITION ID	GOODRICH PART NUMBER	AIRCRAFT OEM P/N	DESCRIPTION	QTY PER AIRCRAFT	WT
1	23S-2038-5-1*		WING LH DE-ICE BOOT	1	4.3

\*23S-2038-5-1 IS SHORTER TO ACCOMMODATE LANDING LIGHT OPTION

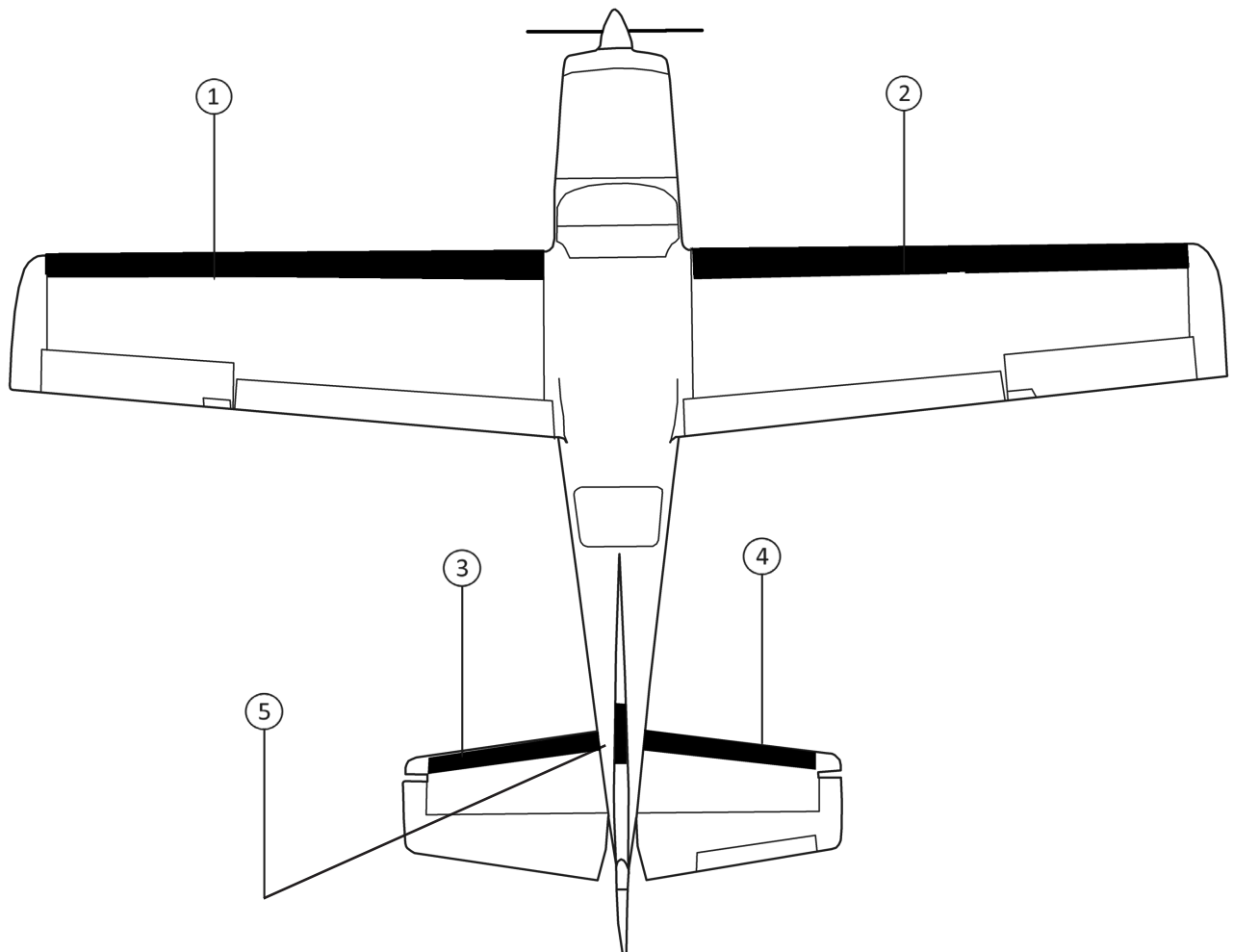

**CESSNA 210M (CENTURION) S/N TO 21062968**

**CESSNA 210N (CENTURION) S/N 21062969 THRU 21064772**
**STANDARD DE-ICE BOOTS**

POSITION ID	GOODRICH PART NUMBER	AIRCRAFT OEM P/N	DESCRIPTION	QTY PER AIRCRAFT	WT
1	25S-5D5101-01		WING LH DE-ICE BOOT	1	4.3
2	25S-5D5101-02		WING RH DE-ICE BOOT	1	4.3
3	25S-5D5101-03		HORIZONTAL STABILIZER LH DE-ICE BOOT	1	1.3
4	25S-5D5101-04		HORIZONTAL STABILIZER RH DE-ICE BOOT	1	1.3
5	25S-5D5101-05		VERTICAL STABILIZER DE-ICE BOOT	1	0.6

**FASTboot® DE-ICE BOOTS**

POSITION ID	GOODRICH PART NUMBER	AIRCRAFT OEM P/N	DESCRIPTION	QTY PER AIRCRAFT	WT
1	P25S-5D5101-01		FASTBOOT® WING LH DE-ICE BOOT	1	4.3
2	P25S-5D5101-02		FASTBOOT® WING RH DE-ICE BOOT	1	4.3
3	P25S-5D5101-03		FASTBOOT® HORIZONTAL STABILIZER LH DE-ICE BOOT	1	1.3
4	P25S-5D5101-04		FASTBOOT® HORIZONTAL STABILIZER RH DE-ICE BOOT	1	1.3
5	P25S-5D5101-05		FASTBOOT® VERTICAL STABILIZER DE-ICE BOOT	1	0.6

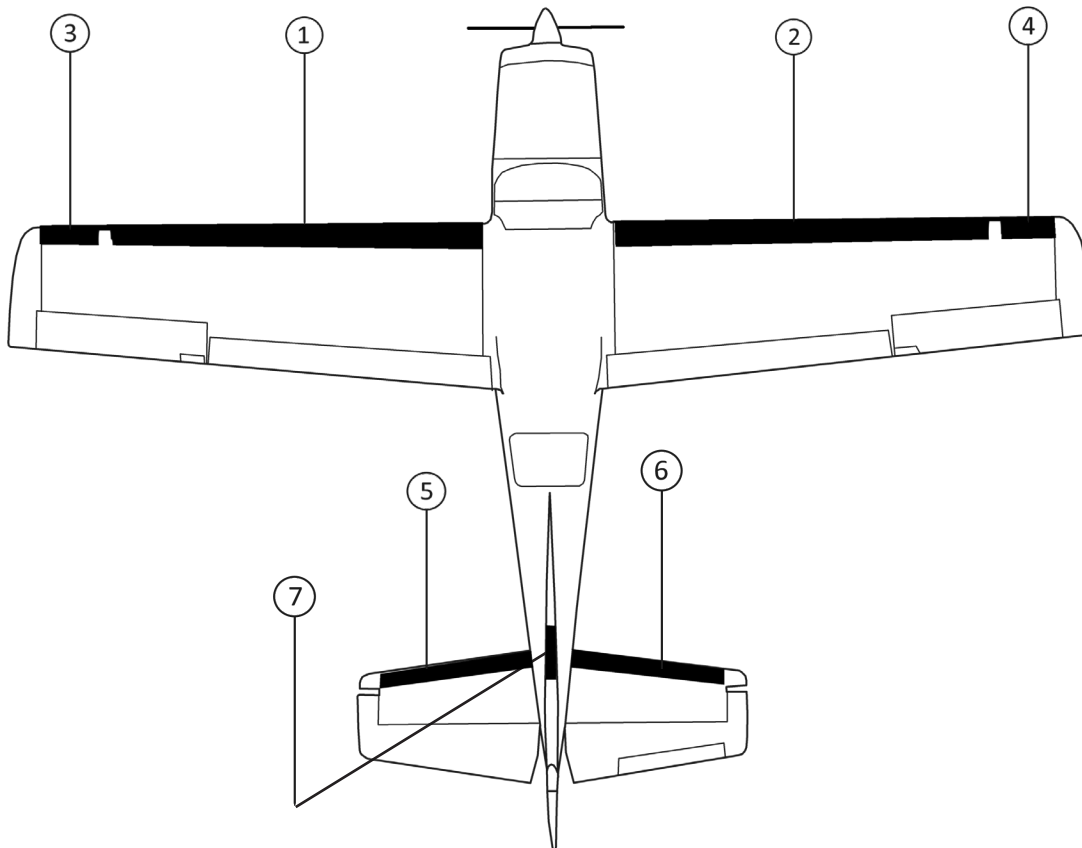

**CESSNA 210N (CENTURION) S/N 21062969 THRU 21064772**

**CESSNA 210R (CENTURION)**
**STANDARD DE-ICE BOOTS**

POSITION ID	GOODRICH PART NUMBER	AIRCRAFT OEM P/N	DESCRIPTION	QTY PER AIRCRAFT	WT
1	25S-5D5170-01		WING LH DE-ICE BOOT	1	4.4
2	25S-5D5170-02		WING RH DE-ICE BOOT	1	4.4
3	25S-5D5170-07		WING TIP LH DE-ICE BOOT	1	0.3
4	25S-5D5170-08		WING TIP RH DE-ICE BOOT	1	0.3
5	25S-5D5170-03		HORIZONTAL STABILIZER LH DE-ICE BOOT	1	1.9
6	25S-5D5170-04		HORIZONTAL STABILIZER RH DE-ICE BOOT	1	1.9
7	25S-5D5101-05		VERTICAL STABILIZER DE-ICE BOOT	1	1.6

**FASTboot® DE-ICE BOOTS**

POSITION ID	GOODRICH PART NUMBER	AIRCRAFT OEM P/N	DESCRIPTION	QTY PER AIRCRAFT	WT
1	P25S-5D5170-01		FASTBOOT® WING LH DE-ICE BOOT	1	4.4
2	P25S-5D5170-02		FASTBOOT® WING RH DE-ICE BOOT	1	4.4
3	P25S-5D5170-07		FASTBOOT® WING TIP LH DE-ICE BOOT	1	0.3
4	P25S-5D5170-08		FASTBOOT® WING TIP RH DE-ICE BOOT	1	0.3
5	P25S-5D5170-03		FASTBOOT® HORIZONTAL STABILIZER LH DE-ICE BOOT	1	1.9
6	P25S-5D5170-04		FASTBOOT® HORIZONTAL STABILIZER RH DE-ICE BOOT	1	1.9
7	P25S-5D5101-05		FASTBOOT® VERTICAL STABILIZER DE-ICE BOOT	1	1.6


**CESSNA 210R (CENTURION)**

**CESSNA P210N (PRESSURIZED CENTURION) S/N P21000001 THRU P21000120**

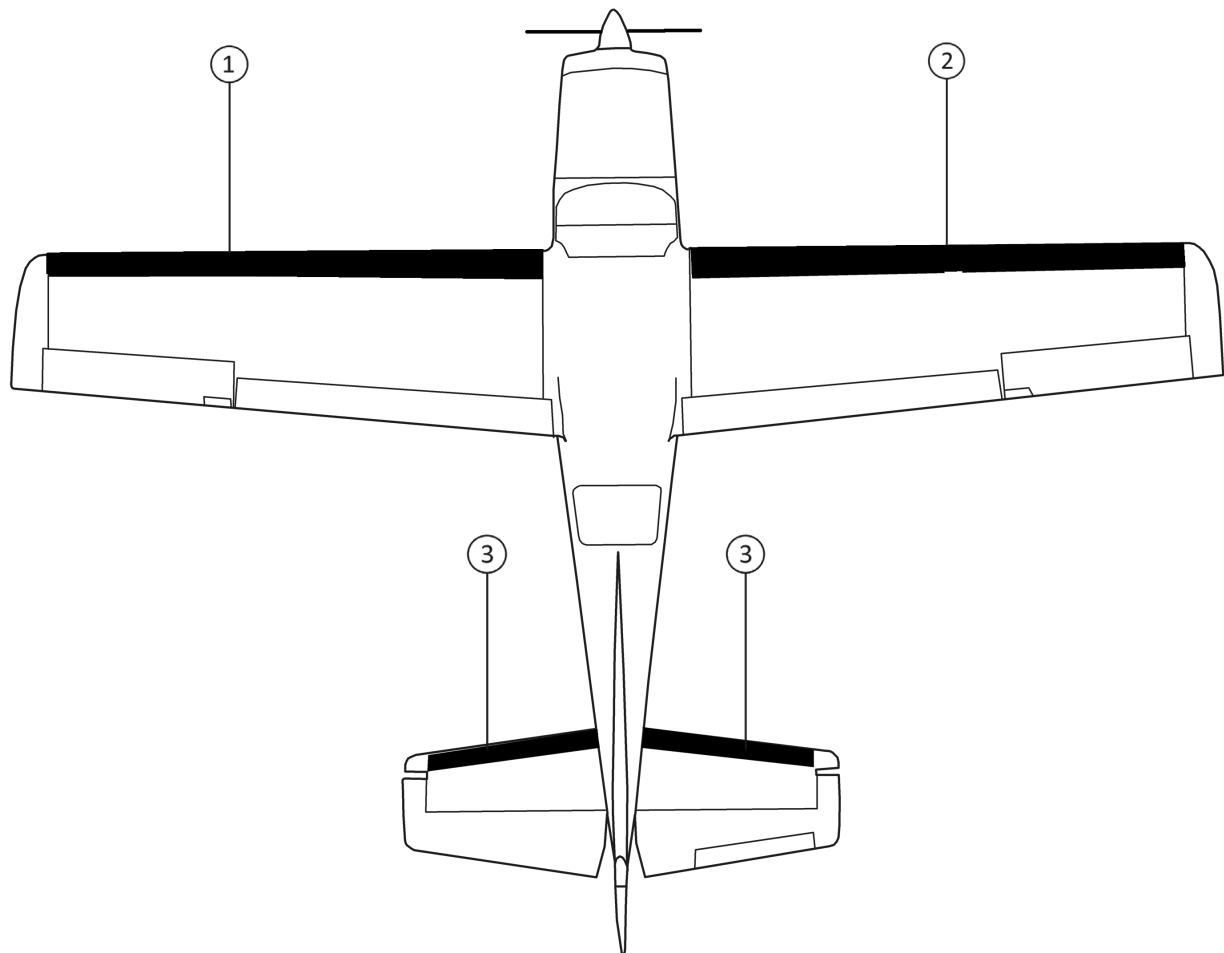
**STANDARD DE-ICE BOOTS**

POSITION ID	GOODRICH PART NUMBER	AIRCRAFT OEM P/N	DESCRIPTION	QTY PER AIRCRAFT	WT
1	23S-2038-6-1		WING LH DE-ICE BOOT	1	4.7
2	23S-2038-5-2		WING RH DE-ICE BOOT	1	4.8
3	23S-2038-3-1		HORIZONTAL STABILIZER LH/RH DE-ICE BOOT	2	1.5

**OPTIONAL STANDARD DE-ICE BOOTS**

POSITION ID	GOODRICH PART NUMBER	AIRCRAFT OEM P/N	DESCRIPTION	QTY PER AIRCRAFT	WT
1	23S-2038-5-1*		WING LH DE-ICE BOOT	1	4.3

\*23S-2038-5-1 IS SHORTER TO ACCOMMODATE LANDING LIGHT OPTION



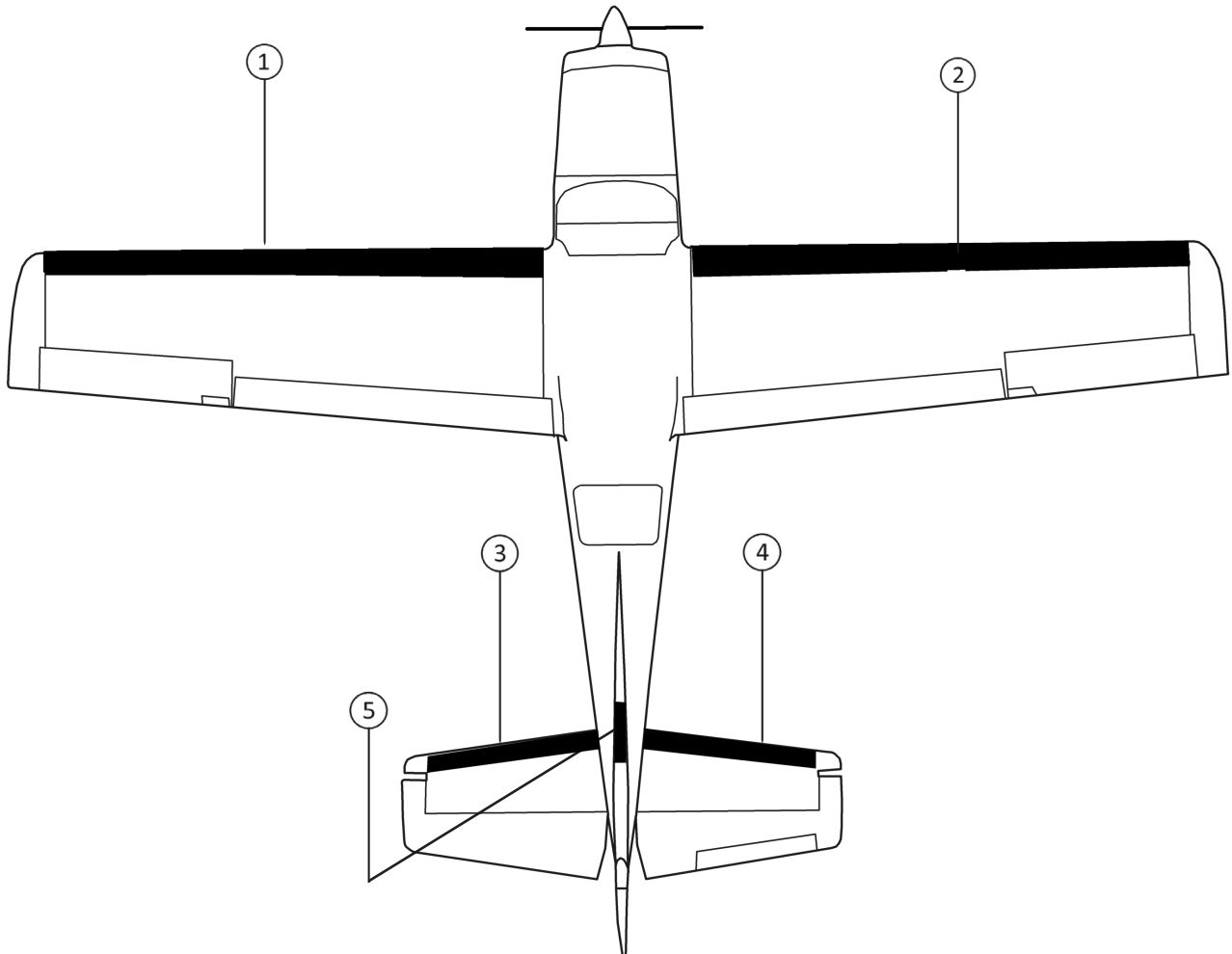
**CESSNA P210N (PRESSURIZED CENTURION) S/N P21000001 THRU P21000120**

**CESSNA P210N (PRESSURIZED CENTURION) S/N P21000121 THRU P21000834**
**STANDARD DE-ICE BOOTS**

POSITION ID	GOODRICH PART NUMBER	AIRCRAFT OEM P/N	DESCRIPTION	QTY PER AIRCRAFT	WT
1	25S-5D5101-01		WING LH DE-ICE BOOT	1	4.3
2	25S-5D5101-02		WING RH DE-ICE BOOT	1	4.3
3	25S-5D5101-03		HORIZONTAL STABILIZER LH DE-ICE BOOT	1	1.3
4	25S-5D5101-04		HORIZONTAL STABILIZER RH DE-ICE BOOT	1	1.3
5	25S-5D5101-05		VERTICAL STABILIZER DE-ICE BOOT	1	0.6

**FASTboot® DE-ICE BOOTS**

POSITION ID	GOODRICH PART NUMBER	AIRCRAFT OEM P/N	DESCRIPTION	QTY PER AIRCRAFT	WT
1	P25S-5D5101-01		FASTBOOT® WING LH DE-ICE BOOT	1	4.3
2	P25S-5D5101-02		FASTBOOT® WING RH DE-ICE BOOT	1	4.3
3	P25S-5D5101-03		FASTBOOT® HORIZONTAL STABILIZER LH DE-ICE BOOT	1	1.3
4	P25S-5D5101-04		FASTBOOT® HORIZONTAL STABILIZER RH DE-ICE BOOT	1	1.3
5	P25S-5D5101-05		FASTBOOT® VERTICAL STABILIZER DE-ICE BOOT	1	0.6



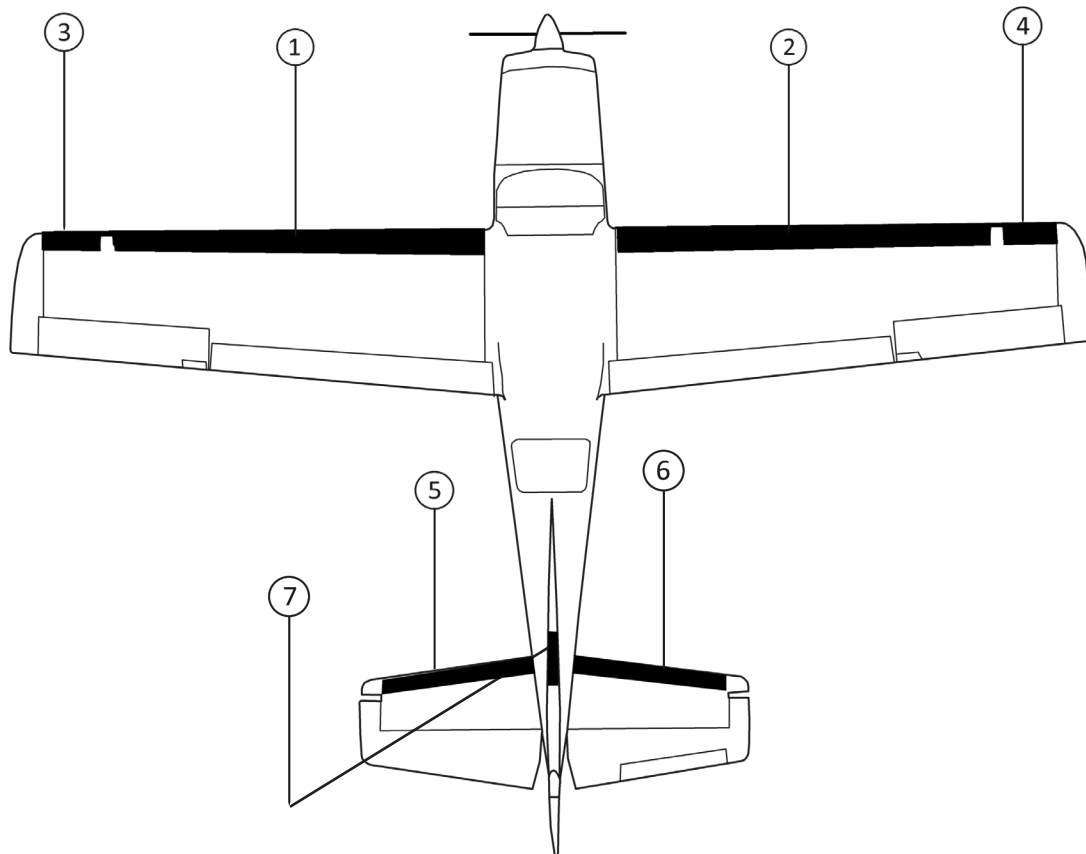
CESSNA P210N (PRESSURIZED CENTURION) S/N P21000121 THRU P21000834

**CESSNA P210R (PRESSURIZED CENTURION)**
**STANDARD DE-ICE BOOTS**

POSITION ID	GOODRICH PART NUMBER	AIRCRAFT OEM P/N	DESCRIPTION	QTY PER AIRCRAFT	WT
1	25S-5D5170-01		WING LH DE-ICE BOOT	1	4.4
2	25S-5D5170-02		WING RH DE-ICE BOOT	1	4.4
3	25S-5D5170-07		WING TIP LH DE-ICE BOOT	1	0.3
4	25S-5D5170-08		WING TIP RH DE-ICE BOOT	1	0.3
5	25S-5D5170-03		HORIZONTAL STABILIZER LH DE-ICE BOOT	1	1.9
6	25S-5D5170-04		HORIZONTAL STABILIZER RH DE-ICE BOOT	1	1.9
7	25S-5D5101-05		VERTICAL STABILIZER DE-ICE BOOT	1	0.6

**FASTboot® DE-ICE BOOTS**

POSITION ID	GOODRICH PART NUMBER	AIRCRAFT OEM P/N	DESCRIPTION	QTY PER AIRCRAFT	WT
1	P25S-5D5170-01		FASTBOOT® WING LH DE-ICE BOOT	1	4.4
2	P25S-5D5170-02		FASTBOOT® WING RH DE-ICE BOOT	1	4.4
3	P25S-5D5170-07		FASTBOOT® WING TIP LH DE-ICE BOOT	1	0.3
4	P25S-5D5170-08		FASTBOOT® WING TIP RH DE-ICE BOOT	1	0.3
5	P25S-5D5170-03		FASTBOOT® HORIZONTAL STABILIZER LH DE-ICE BOOT	1	1.9
6	P25S-5D5170-04		FASTBOOT® HORIZONTAL STABILIZER RH DE-ICE BOOT	1	1.9
7	P25S-5D5101-05		FASTBOOT® VERTICAL STABILIZER DE-ICE BOOT	1	0.6


**CESSNA P210R (PRESSURIZED CENTURION)**



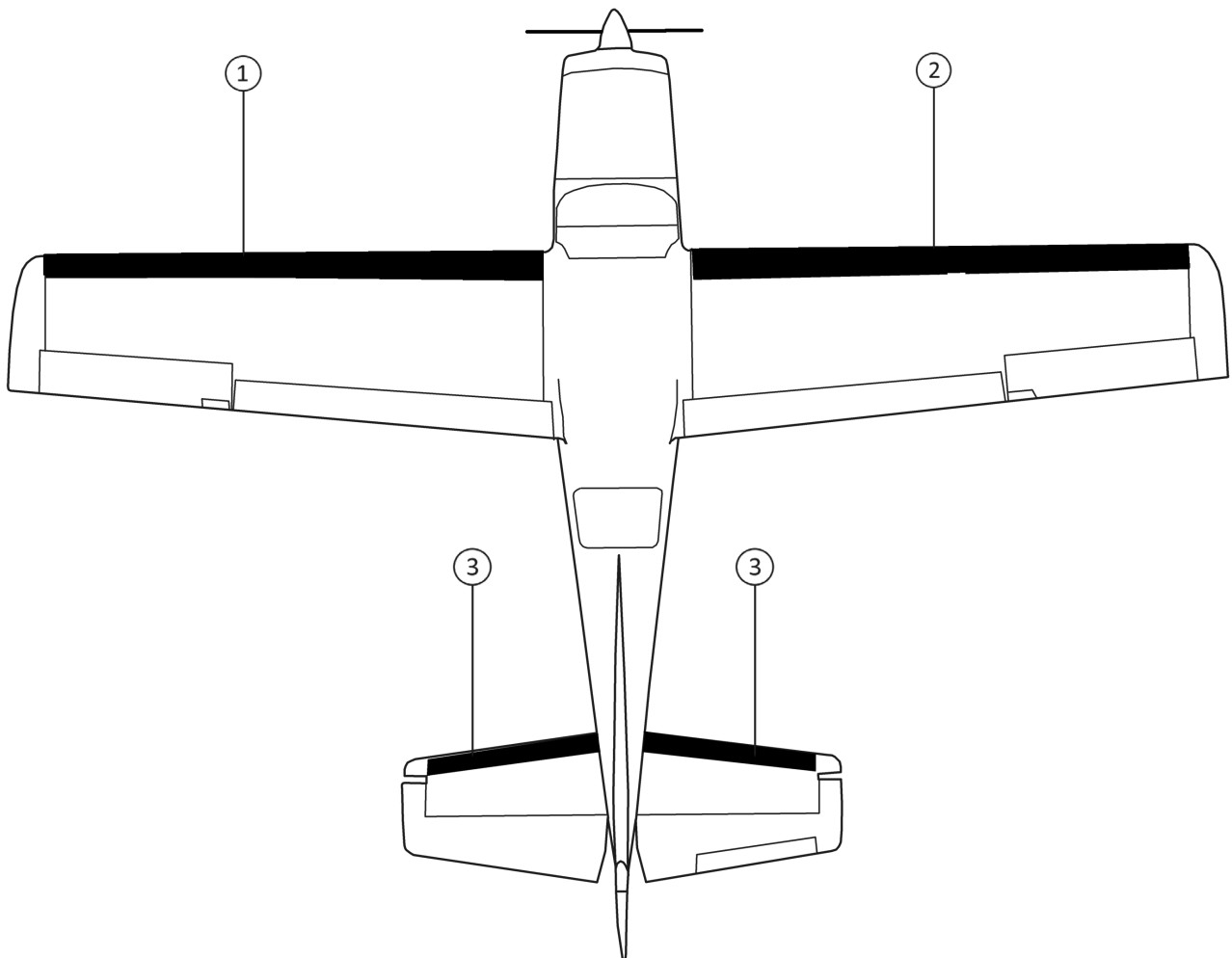
**CESSNA T210F (TURBO CENTURION)**
**STANDARD DE-ICE BOOTS**

POSITION ID	GOODRICH PART NUMBER	AIRCRAFT OEM P/N	DESCRIPTION	QTY PER AIRCRAFT	WT
1	23S-2038-6-1		WING LH DE-ICE BOOT	1	4.7
2	23S-2038-5-2		WING RH DE-ICE BOOT	1	4.8
3	23S-2038-3-1		HORIZONTAL STABILIZER LH/RH DE-ICE BOOT	2	1.5

**OPTIONAL STANDARD DE-ICE BOOTS**

POSITION ID	GOODRICH PART NUMBER	AIRCRAFT OEM P/N	DESCRIPTION	QTY PER AIRCRAFT	WT
1	23S-2038-5-1*		WING LH DE-ICE BOOT	1	4.3

\*23S-2038-5-1 IS SHORTER TO ACCOMMODATE LANDING LIGHT OPTION


**CESSNA T210F (TURBO CENTURION)**

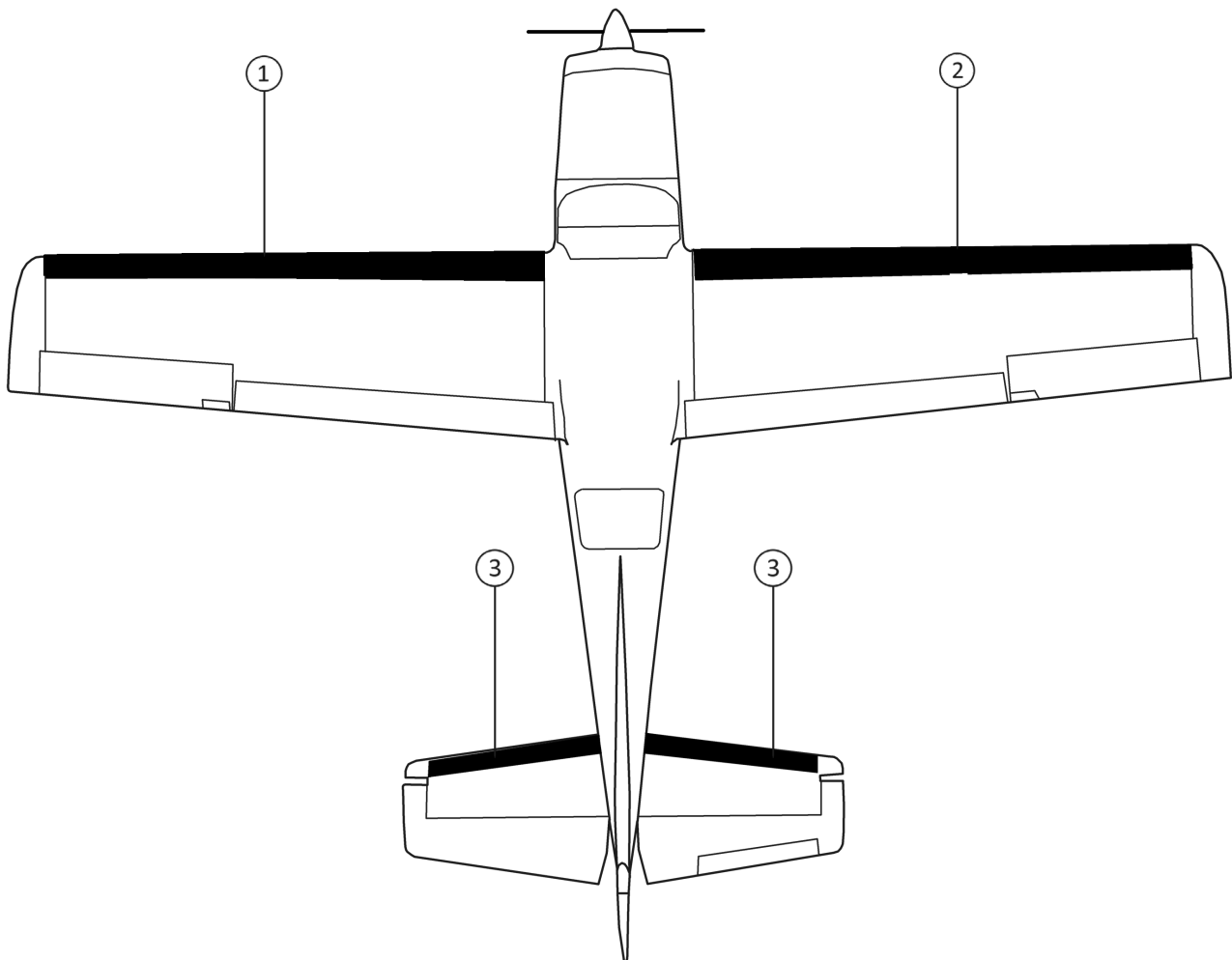
**CESSNA T210G (TURBO CENTURION)**
**STANDARD DE-ICE BOOTS**

POSITION ID	GOODRICH PART NUMBER	AIRCRAFT OEM P/N	DESCRIPTION	QTY PER AIRCRAFT	WT
1	23S-2038-6-1		WING LH DE-ICE BOOT	1	4.7
2	23S-2038-5-2		WING RH DE-ICE BOOT	1	4.8
3	23S-2038-3-1		HORIZONTAL STABILIZER LH/RH DE-ICE BOOT	2	1.5

**OPTIONAL STANDARD DE-ICE BOOTS**

POSITION ID	GOODRICH PART NUMBER	AIRCRAFT OEM P/N	DESCRIPTION	QTY PER AIRCRAFT	WT
1	23S-2038-5-1*		WING LH DE-ICE BOOT	1	4.3

\*23S-2038-5-1 IS SHORTER TO ACCOMMODATE LANDING LIGHT OPTION


**CESSNA T210G (TURBO CENTURION)**

**CESSNA T210H (TURBO CENTURION)**

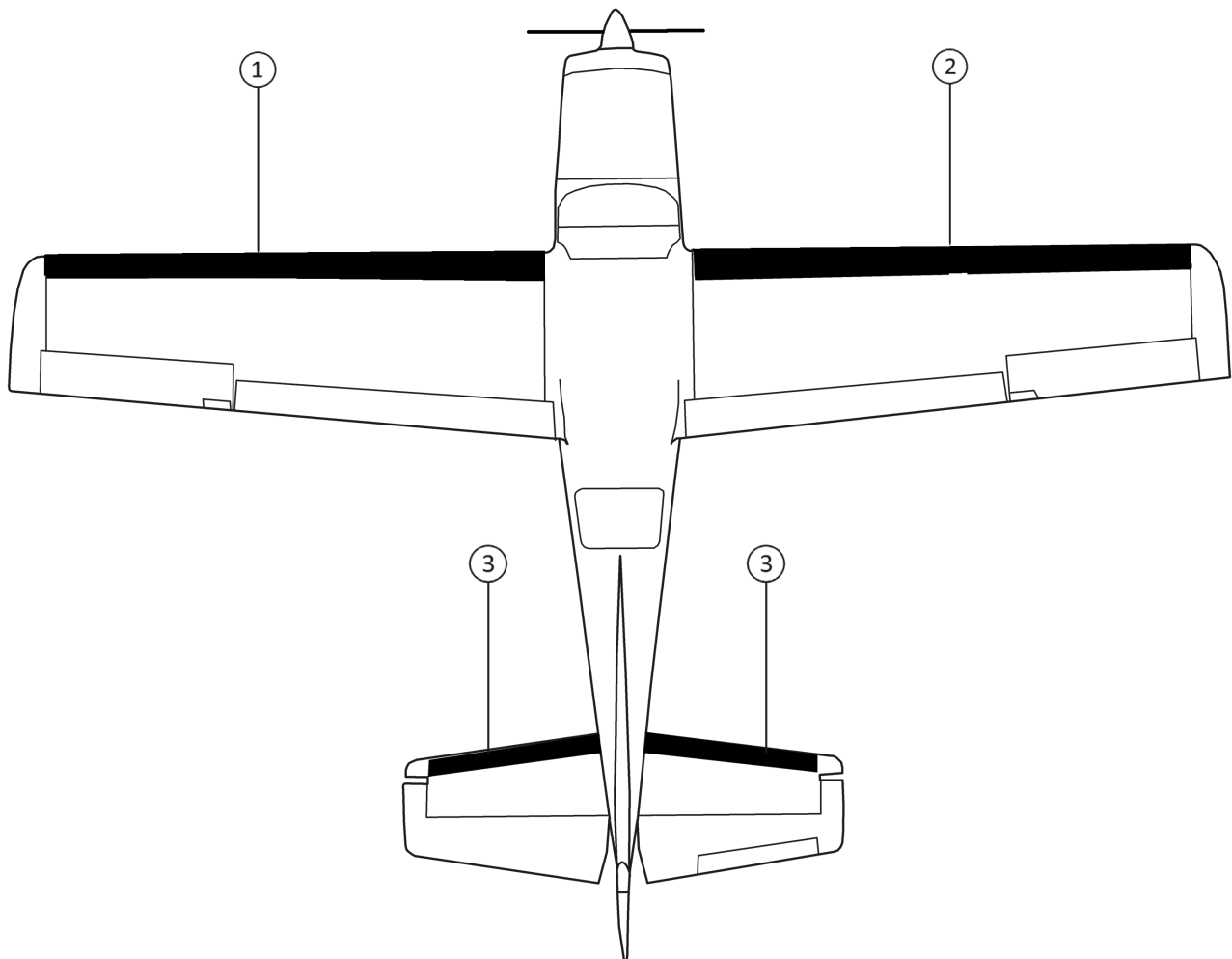
**STANDARD DE-ICE BOOTS**

POSITION ID	GOODRICH PART NUMBER	AIRCRAFT OEM P/N	DESCRIPTION	QTY PER AIRCRAFT	WT
1	23S-2038-6-1		WING LH DE-ICE BOOT	1	4.7
2	23S-2038-5-2		WING RH DE-ICE BOOT	1	4.8
3	23S-2038-3-1		HORIZONTAL STABILIZER LH/RH DE-ICE BOOT	2	1.5

**OPTIONAL STANDARD DE-ICE BOOTS**

POSITION ID	GOODRICH PART NUMBER	AIRCRAFT OEM P/N	DESCRIPTION	QTY PER AIRCRAFT	WT
1	23S-2038-5-1*		WING LH DE-ICE BOOT	1	4.3

\*23S-2038-5-1 IS SHORTER TO ACCOMMODATE LANDING LIGHT OPTION



CESSNA T210H (TURBO CENTURION)

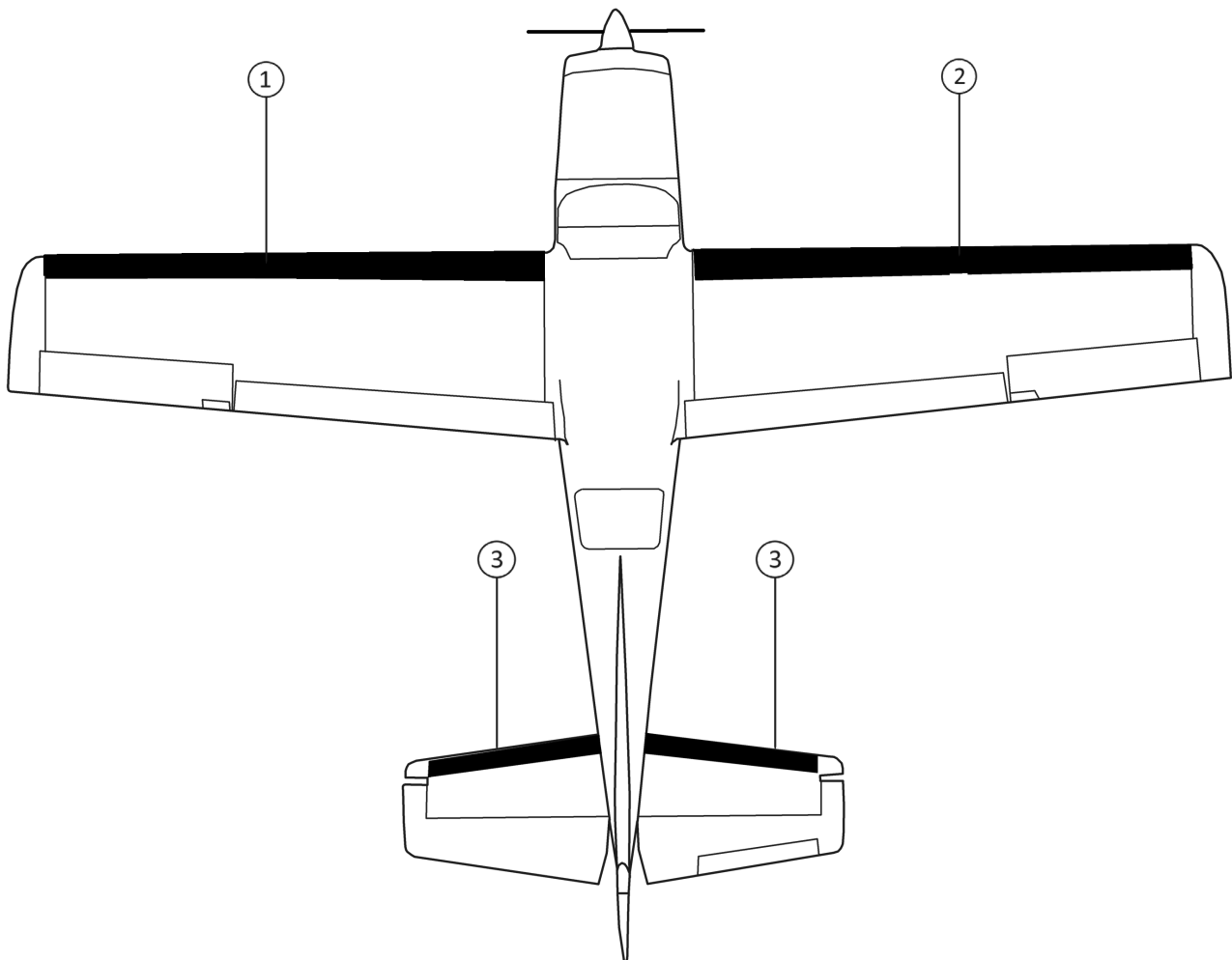
**CESSNA T210J (TURBO CENTURION)**
**STANDARD DE-ICE BOOTS**

POSITION ID	GOODRICH PART NUMBER	AIRCRAFT OEM P/N	DESCRIPTION	QTY PER AIRCRAFT	WT
1	23S-2038-6-1		WING LH DE-ICE BOOT	1	4.7
2	23S-2038-5-2		WING RH DE-ICE BOOT	1	4.8
3	23S-2038-3-1		HORIZONTAL STABILIZER LH/RH DE-ICE BOOT	2	1.5

**OPTIONAL STANDARD DE-ICE BOOTS**

POSITION ID	GOODRICH PART NUMBER	AIRCRAFT OEM P/N	DESCRIPTION	QTY PER AIRCRAFT	WT
1	23S-2038-5-1*		WING LH DE-ICE BOOT	1	4.3

\*23S-2038-5-1 IS SHORTER TO ACCOMMODATE LANDING LIGHT OPTION


**CESSNA T210J (TURBO CENTURION)**

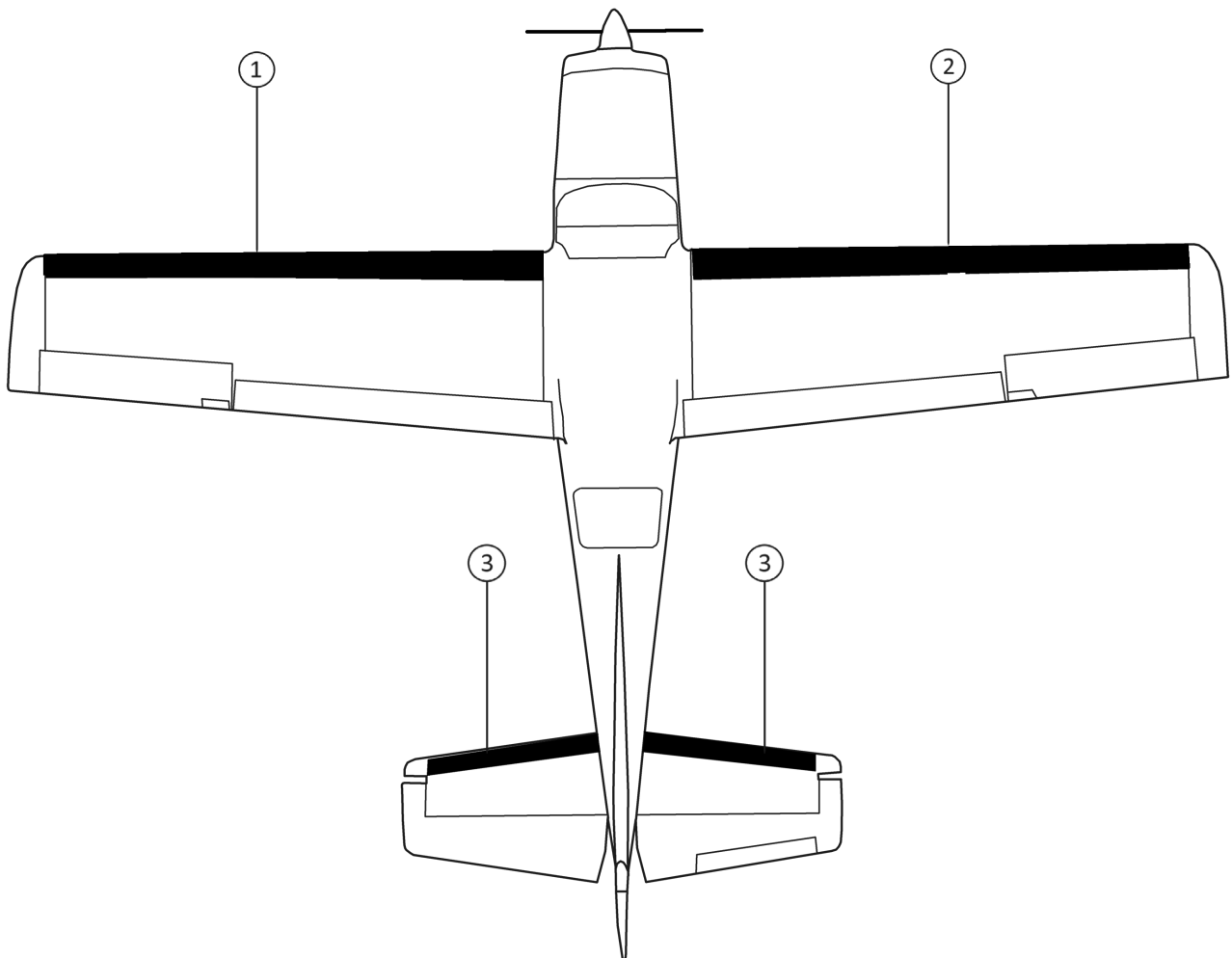
**CESSNA T210K (TURBO CENTURION)**
**STANDARD DE-ICE BOOTS**

POSITION ID	GOODRICH PART NUMBER	AIRCRAFT OEM P/N	DESCRIPTION	QTY PER AIRCRAFT	WT
1	23S-2038-6-1		WING LH DE-ICE BOOT	1	4.7
2	23S-2038-5-2		WING RH DE-ICE BOOT	1	4.8
3	23S-2038-3-1		HORIZONTAL STABILIZER LH/RH DE-ICE BOOT	2	1.5

**OPTIONAL STANDARD DE-ICE BOOTS**

POSITION ID	GOODRICH PART NUMBER	AIRCRAFT OEM P/N	DESCRIPTION	QTY PER AIRCRAFT	WT
1	23S-2038-5-1*		WING LH DE-ICE BOOT	1	4.3

\*23S-2038-5-1 IS SHORTER TO ACCOMMODATE LANDING LIGHT OPTION


**CESSNA T210K (TURBO CENTURION)**

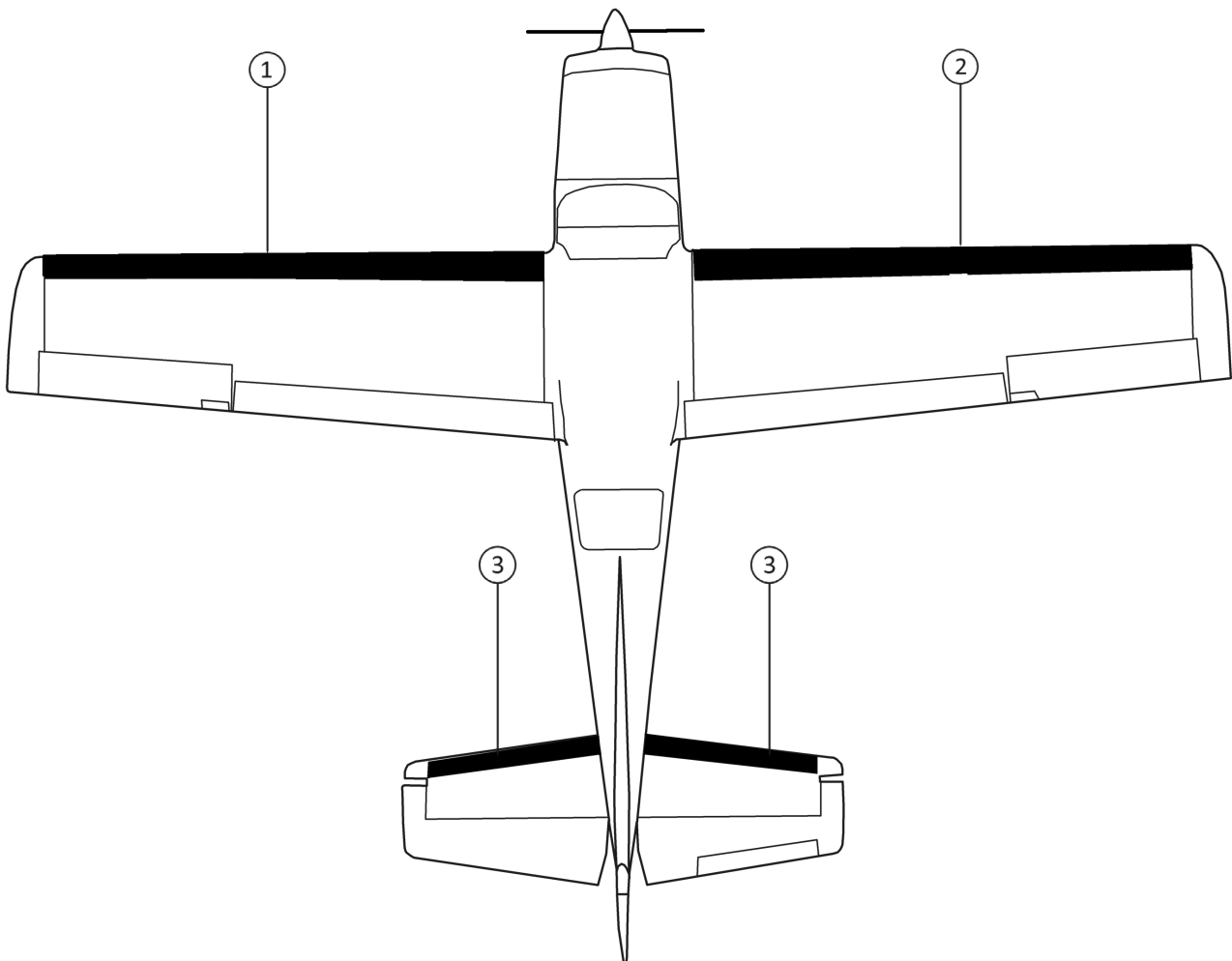
**CESSNA T210L (TURBO CENTURION)**
**STANDARD DE-ICE BOOTS**

POSITION ID	GOODRICH PART NUMBER	AIRCRAFT OEM P/N	DESCRIPTION	QTY PER AIRCRAFT	WT
1	23S-2038-6-1		WING LH DE-ICE BOOT	1	4.7
2	23S-2038-5-2		WING RH DE-ICE BOOT	1	4.8
3	23S-2038-3-1		HORIZONTAL STABILIZER LH/RH DE-ICE BOOT	2	1.5

**OPTIONAL STANDARD DE-ICE BOOTS**

POSITION ID	GOODRICH PART NUMBER	AIRCRAFT OEM P/N	DESCRIPTION	QTY PER AIRCRAFT	WT
1	23S-2038-5-1*		WING LH DE-ICE BOOT	1	4.3

\*23S-2038-5-1 IS SHORTER TO ACCOMMODATE LANDING LIGHT OPTION


**CESSNA T210L (TURBO CENTURION)**

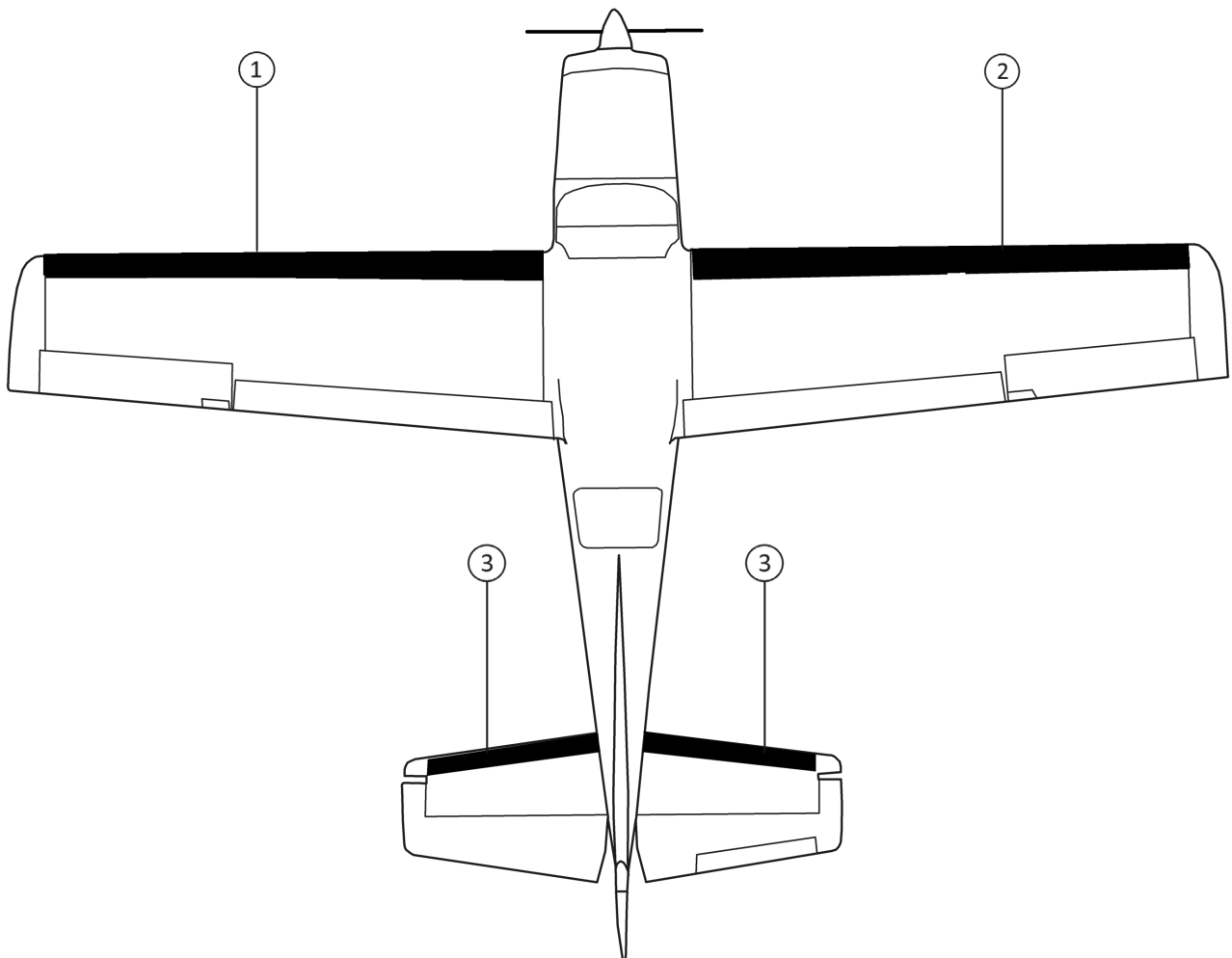
**CESSNA T210M (TURBO CENTURION)**
**STANDARD DE-ICE BOOTS**

POSITION ID	GOODRICH PART NUMBER	AIRCRAFT OEM P/N	DESCRIPTION	QTY PER AIRCRAFT	WT
1	23S-2038-6-1		WING LH DE-ICE BOOT	1	4.7
2	23S-2038-5-2		WING RH DE-ICE BOOT	1	4.8
3	23S-2038-3-1		HORIZONTAL STABILIZER LH/RH DE-ICE BOOT	2	1.5

**OPTIONAL STANDARD DE-ICE BOOTS**

POSITION ID	GOODRICH PART NUMBER	AIRCRAFT OEM P/N	DESCRIPTION	QTY PER AIRCRAFT	WT
1	23S-2038-5-1*		WING LH DE-ICE BOOT	1	4.3

\*23S-2038-5-1 IS SHORTER TO ACCOMMODATE LANDING LIGHT OPTION


**CESSNA T210M (TURBO CENTURION)**

**CESSNA T210M (TURBO CENTURION) S/N TO 21062968**

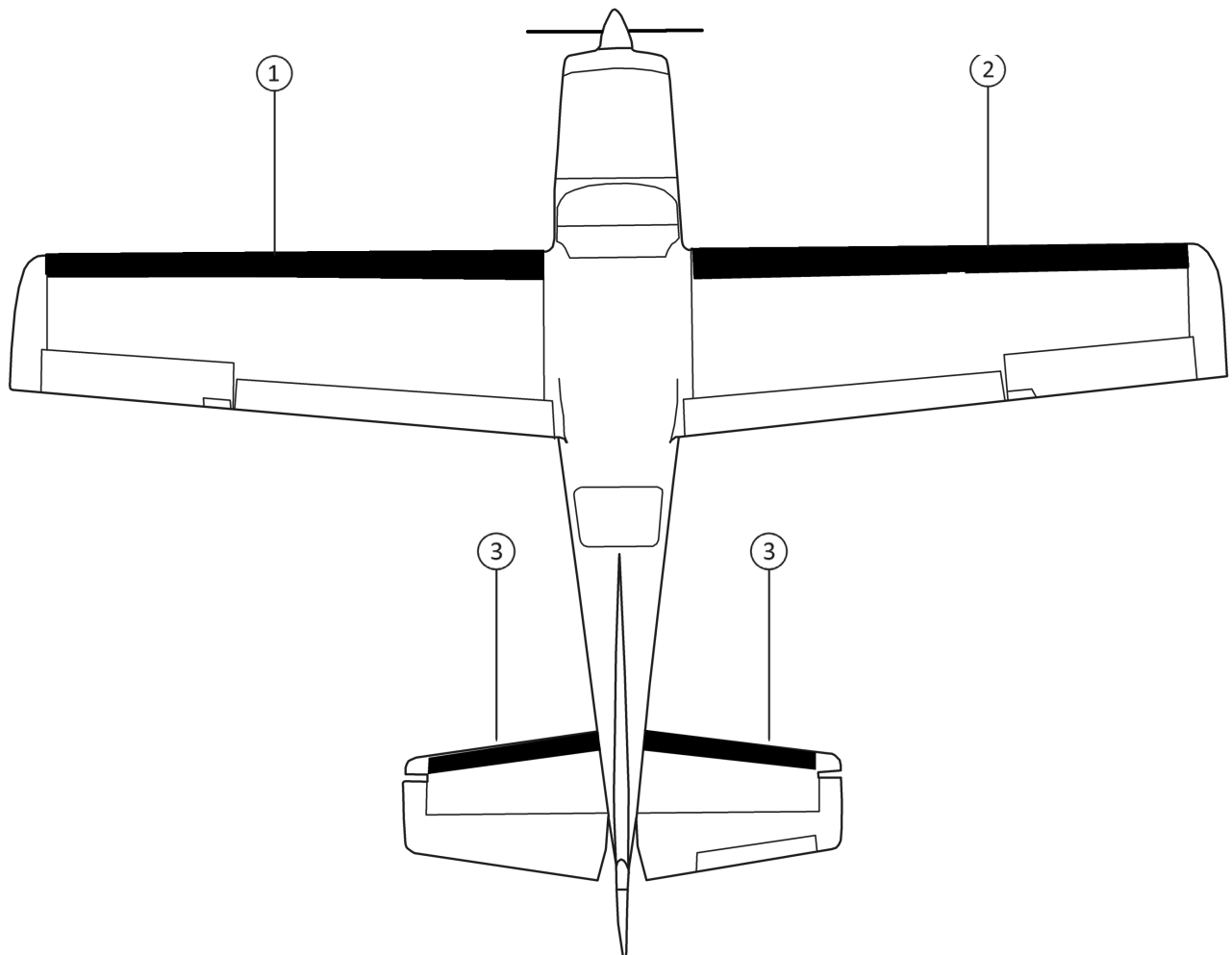
**STANDARD DE-ICE BOOTS**

POSITION ID	GOODRICH PART NUMBER	AIRCRAFT OEM P/N	DESCRIPTION	QTY PER AIRCRAFT	WT
1	23S-2038-6-1		WING LH DE-ICE BOOT	1	4.7
2	23S-2038-5-2		WING RH DE-ICE BOOT	1	4.8
3	23S-2038-3-1		HORIZONTAL STABILIZER LH/RH DE-ICE BOOT	2	1.5

**OPTIONAL STANDARD DE-ICE BOOTS**

POSITION ID	GOODRICH PART NUMBER	AIRCRAFT OEM P/N	DESCRIPTION	QTY PER AIRCRAFT	WT
1	23S-2038-5-1*		WING LH DE-ICE BOOT	1	4.3

\*23S-2038-5-1 IS SHORTER TO ACCOMMODATE LANDING LIGHT OPTION



**CESSNA T210M (TURBO CENTURION) S/N TO 21062968**

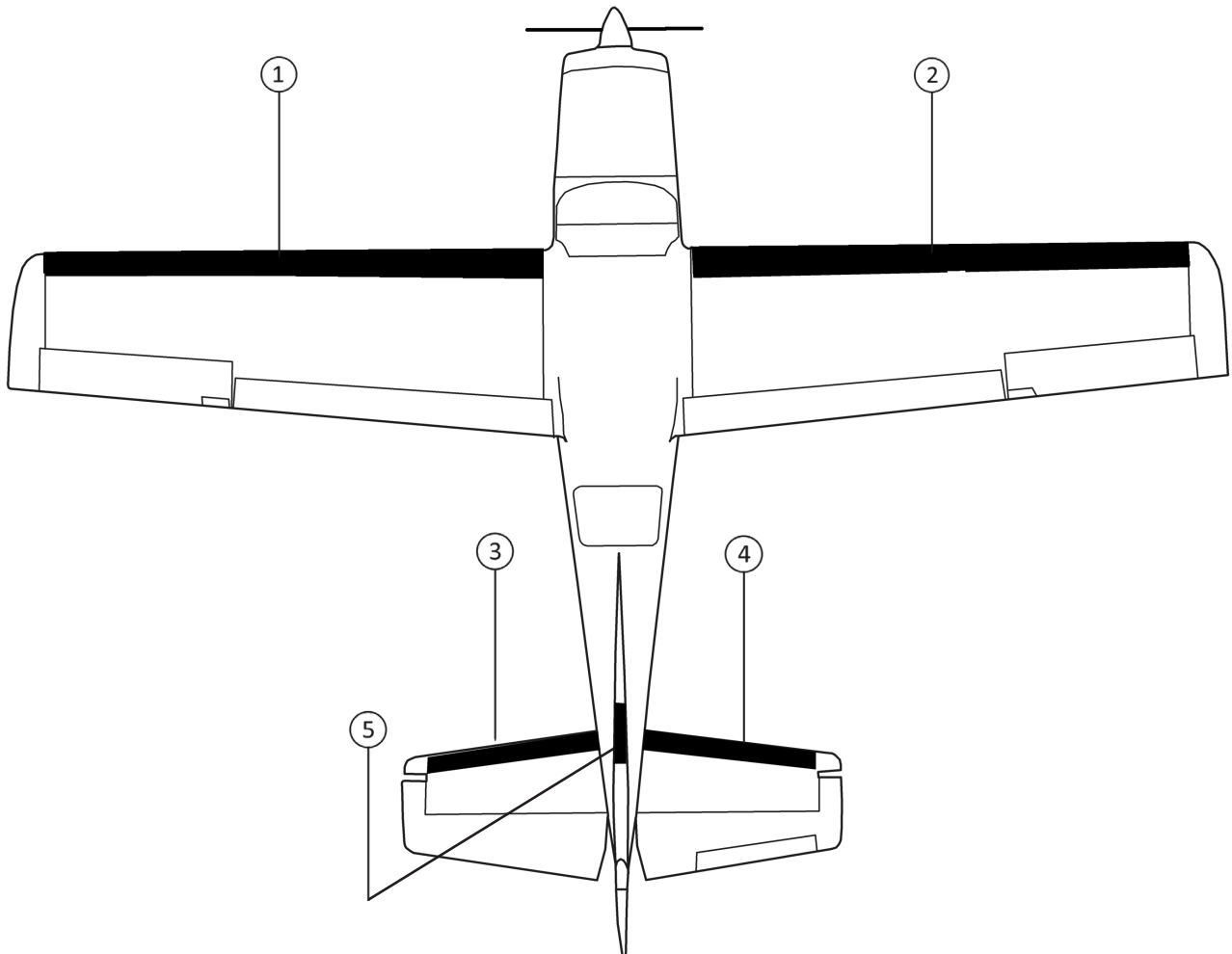


**CESSNA T210N (TURBO CENTURION)**
**STANDARD DE-ICE BOOTS**

POSITION ID	GOODRICH PART NUMBER	AIRCRAFT OEM P/N	DESCRIPTION	QTY PER AIRCRAFT	WT
1	25S-5D5101-01		WING LH DE-ICE BOOT	1	4.3
2	25S-5D5101-02		WING RH DE-ICE BOOT	1	4.3
3	25S-5D5101-03		HORIZONTAL STABILIZER LH DE-ICE BOOT	1	1.3
4	25S-5D5101-04		HORIZONTAL STABILIZER RH DE-ICE BOOT	1	1.3
5	25S-5D5101-05		VERTICAL STABILIZER DE-ICE BOOT	1	0.6

**FASTboot® DE-ICE BOOTS**

POSITION ID	GOODRICH PART NUMBER	AIRCRAFT OEM P/N	DESCRIPTION	QTY PER AIRCRAFT	WT
1	P25S-5D5101-01		FASTBOOT® WING LH DE-ICE BOOT	1	4.3
2	P25S-5D5101-02		FASTBOOT® WING RH DE-ICE BOOT	1	4.3
3	P25S-5D5101-03		FASTBOOT® HORIZONTAL STABILIZER LH DE-ICE BOOT	1	1.3
4	P25S-5D5101-04		FASTBOOT® HORIZONTAL STABILIZER RH DE-ICE BOOT	1	1.3
5	P25S-5D5101-05		FASTBOOT® VERTICAL STABILIZER DE-ICE BOOT	1	0.6

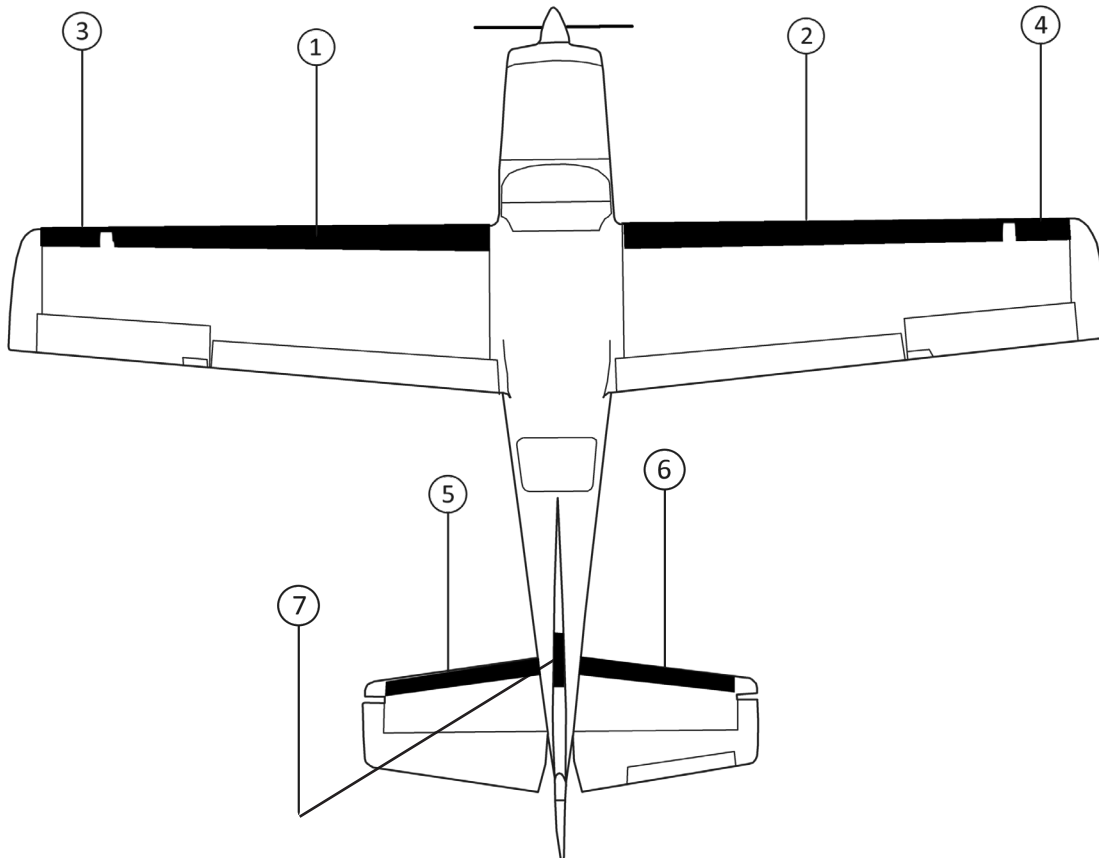

**CESSNA T210N (TURBO CENTURION)**

**CESSNA T210R (TURBO CENTURION)**
**STANDARD DE-ICE BOOTS**

POSITION ID	GOODRICH PART NUMBER	AIRCRAFT OEM P/N	DESCRIPTION	QTY PER AIRCRAFT	WT
1	25S-5D5170-01		WING LH DE-ICE BOOT	1	4.4
2	25S-5D5170-02		WING RH DE-ICE BOOT	1	4.4
3	25S-5D5170-07		WING TIP LH DE-ICE BOOT	1	0.3
4	25S-5D5170-08		WING TIP RH DE-ICE BOOT	1	0.3
5	25S-5D5170-03		HORIZONTAL STABILIZER LH DE-ICE BOOT	1	1.9
6	25S-5D5170-04		HORIZONTAL STABILIZER RH DE-ICE BOOT	1	1.9
7	25S-5D5101-05		VERTICAL STABILIZER DE-ICE BOOT	1	0.6

**FASTboot® DE-ICE BOOTS**

POSITION ID	GOODRICH PART NUMBER	AIRCRAFT OEM P/N	DESCRIPTION	QTY PER AIRCRAFT	WT
1	P25S-5D5170-01		FASTBOOT® WING LH DE-ICE BOOT	1	4.4
2	P25S-5D5170-02		FASTBOOT® WING RH DE-ICE BOOT	1	4.4
3	P25S-5D5170-07		FASTBOOT® WING TIP LH DE-ICE BOOT	1	0.3
4	P25S-5D5170-08		FASTBOOT® WING TIP RH DE-ICE BOOT	1	0.3
5	P25S-5D5170-03		FASTBOOT® HORIZONTAL STABILIZER LH DE-ICE BOOT	1	1.9
6	P25S-5D5170-04		FASTBOOT® HORIZONTAL STABILIZER RH DE-ICE BOOT	1	1.9
7	P25S-5D5101-05		FASTBOOT® VERTICAL STABILIZER DE-ICE BOOT	1	0.6


**CESSNA T210R (TURBO CENTURION)**

**CESSNA T303 (CRUSADER)**
**STANDARD DE-ICE BOOTS**

POSITION ID	GOODRICH PART NUMBER	AIRCRAFT OEM P/N	DESCRIPTION	QTY PER AIRCRAFT	WT
1	25S-5D5124-01		INBOARD WING LH DE-ICE BOOT	1	1.3
2	25S-5D5124-02		INBOARD WING RH DE-ICE BOOT	1	1.3
3	25S-5D5124-03		OUTBOARD WING LH DE-ICE BOOT	1	4.0
4	25S-5D5124-04		OUTBOARD WING RH DE-ICE BOOT	1	4.0
5	25S-5D5124-05		HORIZONTAL STABILIZER LH DE-ICE BOOT	1	2.2
6	25S-5D5124-06		HORIZONTAL STABILIZER RH DE-ICE BOOT	1	2.2
7	25S-5D5124-07		VERTICAL STABILIZER DE-ICE BOOT	1	1.3

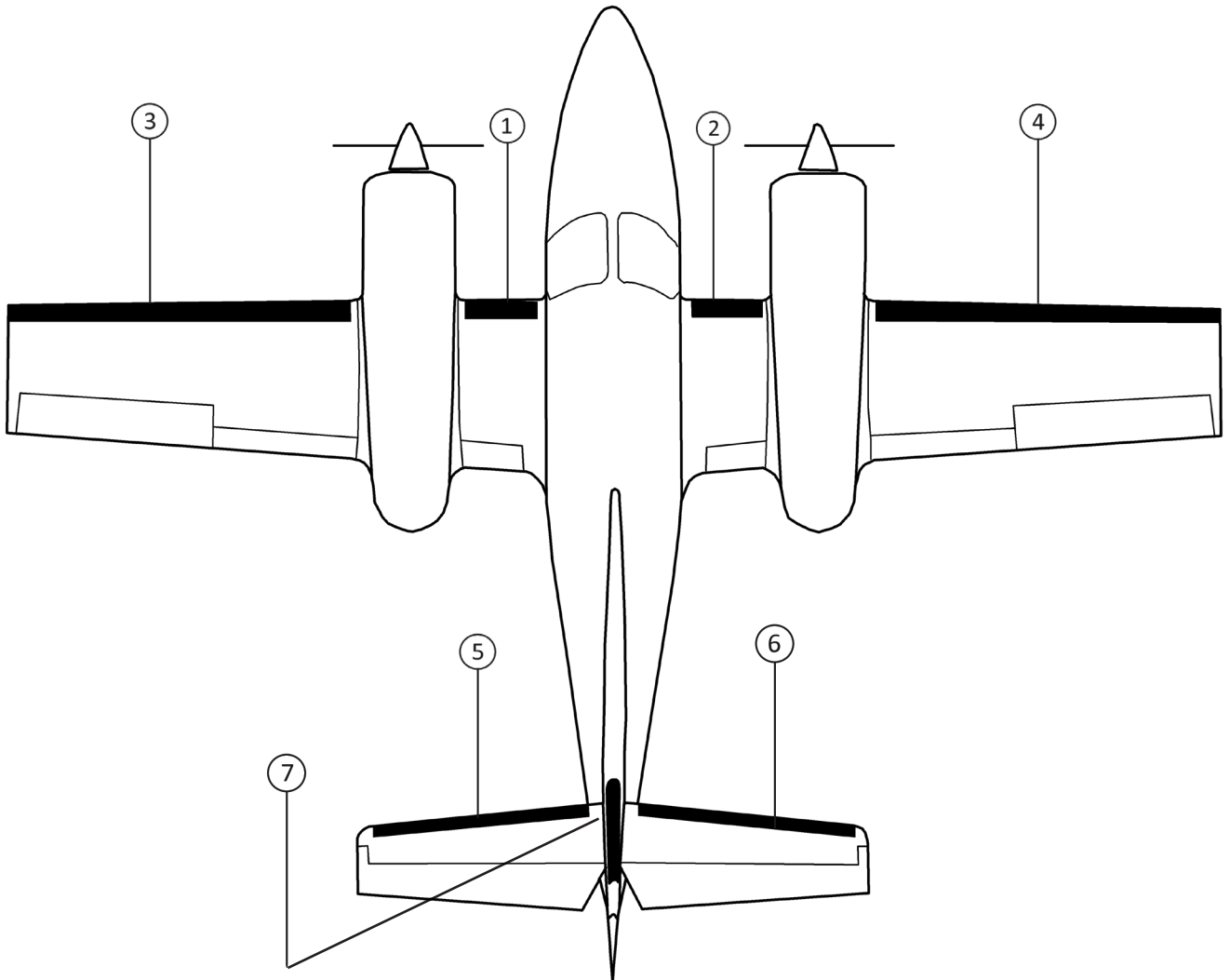
**FASTboot® DE-ICE BOOTS**

POSITION ID	GOODRICH PART NUMBER	AIRCRAFT OEM P/N	DESCRIPTION	QTY PER AIRCRAFT	WT
1	P25S-5D5124-01		FASTBOOT® INBOARD WING LH DE-ICE BOOT	1	1.3
2	P25S-5D5124-02		FASTBOOT® INBOARD WING RH DE-ICE BOOT	1	1.3
3	P25S-5D5124-03		FASTBOOT® OUTBOARD WING LH DE-ICE BOOT	1	4.0
4	P25S-5D5124-04		FASTBOOT® OUTBOARD WING RH DE-ICE BOOT	1	4.0
5	P25S-5D5124-05		FASTBOOT® HORIZONTAL STABILIZER LH DE-ICE BOOT	1	2.2
6	P25S-5D5124-06		FASTBOOT® HORIZONTAL STABILIZER RH DE-ICE BOOT	1	2.2
7	P25S-5D5124-07		FASTBOOT® VERTICAL STABILIZER DE-ICE BOOT	1	1.3

**CESSNA T303 (CRUSADER)**

**CESSNA T303 (CRUSADER)**

**CESSNA T303 (CRUSADER)**



**CESSNA 310**
**CESSNA 310**
**STANDARD DE-ICE BOOTS**

POSITION ID	GOODRICH PART NUMBER	AIRCRAFT OEM P/N	DESCRIPTION	QTY PER AIRCRAFT	WT
1	29S5D2010-1-1		NACELLE-TIP LH TTS DE-ICE BOOT	1	4.3
2	29S5D2010-1-2		NACELLE-TIP RH TTS DE-ICE BOOT	1	4.4
2	29S5D2010-3-2*		NACELLE-TIP RH TTS DE-ICE BOOT	1	4.4
3	29S5D2010-2-1		HORIZONTAL STABILIZER LH/RH TTS DE-ICE BOOT	2	3.6

TYPE 29 SEWN DE-ICER PROVIDES HIGHER DURABILITY THAN TYPE 23 TUBE TYPE DESIGN

\*29S5D2010-3-2 HAS CUTOUT FOR LIFT TRANSDUCER

**SUPERSEDED STANDARD DE-ICE BOOTS**

POSITION ID	GOODRICH PART NUMBER	AIRCRAFT OEM P/N	DESCRIPTION	QTY PER AIRCRAFT	WT
1	23S-2010-1-1	0820517-9	NACELLE-TIP LH DE-ICE BOOT (SUPERSEDED BY P/N 29S5D2010-1-1)	1	4.6
2	23S-2010-1-2	0820517-10	NACELLE-TIP RH DE-ICE BOOT (SUPERSEDED BY P/N 29S5D2010-1-2)	1	4.7
3	23S-2010-2-1	0820517-11	HORIZONTAL STABILIZER LH/RH DE-ICE BOOT (SUPERSEDED BY P/N 29S5D2010-2-1)	2	3.7

**FASTboot® DE-ICE BOOTS**

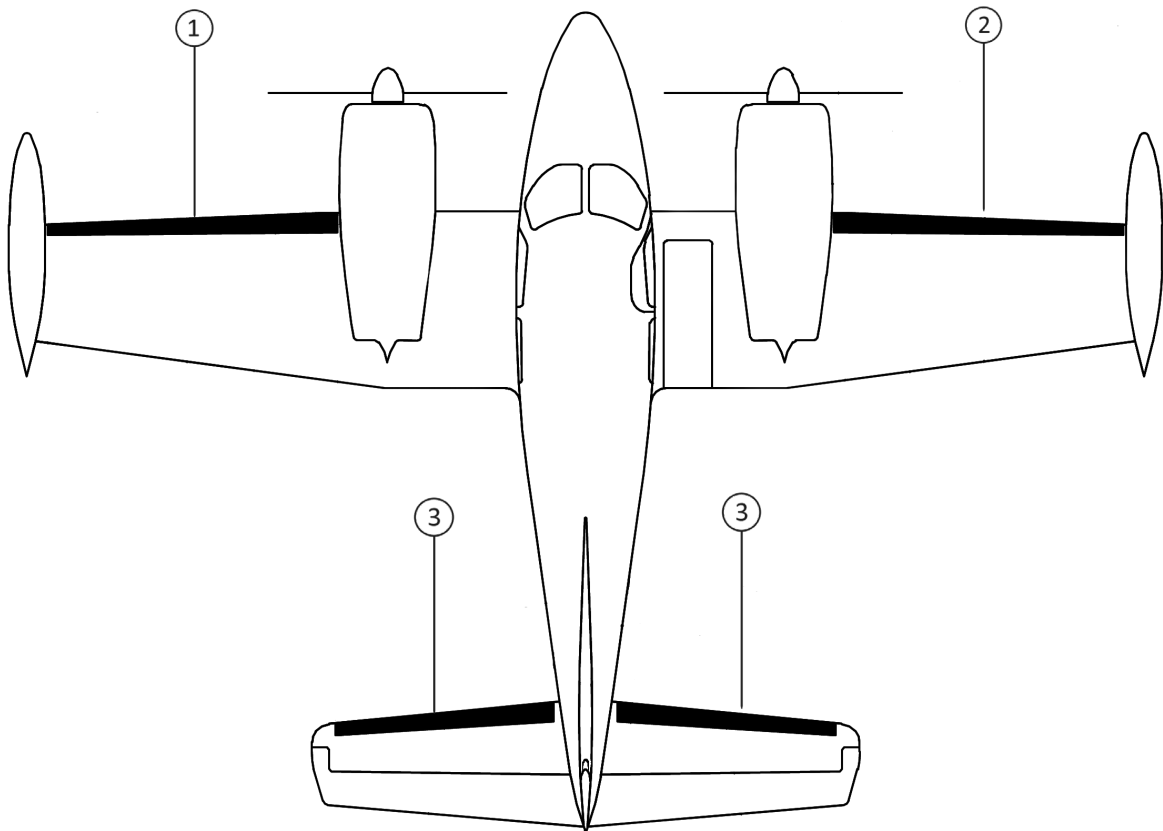
POSITION ID	GOODRICH PART NUMBER	AIRCRAFT OEM P/N	DESCRIPTION	QTY PER AIRCRAFT	WT
1	P29S5D2010-1-1		FASTBOOT® NACELLE-TIP LH TTS DE-ICE BOOT	1	4.3
2	P29S5D2010-1-2		FASTBOOT® NACELLE-TIP RH TTS DE-ICE BOOT	1	4.4
2	P29S5D2010-3-2*		FASTBOOT® NACELLE-TIP RH TTS DE-ICE BOOT	1	4.4
3	P29S5D2010-2-1		FASTBOOT® HORIZONTAL STABILIZER LH/RH TTS DE-ICE BOOT	2	3.6

TYPE 29 SEWN DE-ICER PROVIDES HIGHER DURABILITY THAN TYPE 23 TUBE TYPE DESIGN

\*P29S5D2010-3-2 HAS CUTOUT FOR LIFT TRANSDUCER

**CESSNA 310**

**CESSNA 310**



**CESSNA 310A (MILITARY DESIGNATION U-3A)**
**STANDARD DE-ICE BOOTS**

POSITION ID	GOODRICH PART NUMBER	AIRCRAFT OEM P/N	DESCRIPTION	QTY PER AIRCRAFT	WT
1	29S5D2010-1-1		NACELLE-TIP LH TTS DE-ICE BOOT	1	4.3
2	29S5D2010-1-2		NACELLE-TIP RH TTS DE-ICE BOOT	1	4.4
2	29S5D2010-3-2*		NACELLE-TIP RH TTS DE-ICE BOOT	1	4.4
3	29S5D2010-2-1		HORIZONTAL STABILIZER LH/RH TTS DE-ICE BOOT	2	3.6

TYPE 29 SEWN DE-ICER PROVIDES HIGHER DURABILITY THAN TYPE 23 TUBE TYPE DESIGN

\*29S5D2010-3-2 HAS CUTOUT FOR LIFT TRANSDUCER

**SUPERSEDED STANDARD DE-ICE BOOTS**

POSITION ID	GOODRICH PART NUMBER	AIRCRAFT OEM P/N	DESCRIPTION	QTY PER AIRCRAFT	WT
1	23S-2010-1-1	0820517-9	NACELLE-TIP LH DE-ICE BOOT (SUPERSEDED BY P/N 29S5D2010-1-1)	1	4.6
2	23S-2010-1-2	0820517-10	NACELLE-TIP RH DE-ICE BOOT (SUPERSEDED BY P/N 29S5D2010-1-2)	1	4.7
3	23S-2010-2-1	0820517-11	HORIZONTAL STABILIZER LH/RH DE-ICE BOOT (SUPERSEDED BY P/N 29S5D2010-2-1)	2	3.7

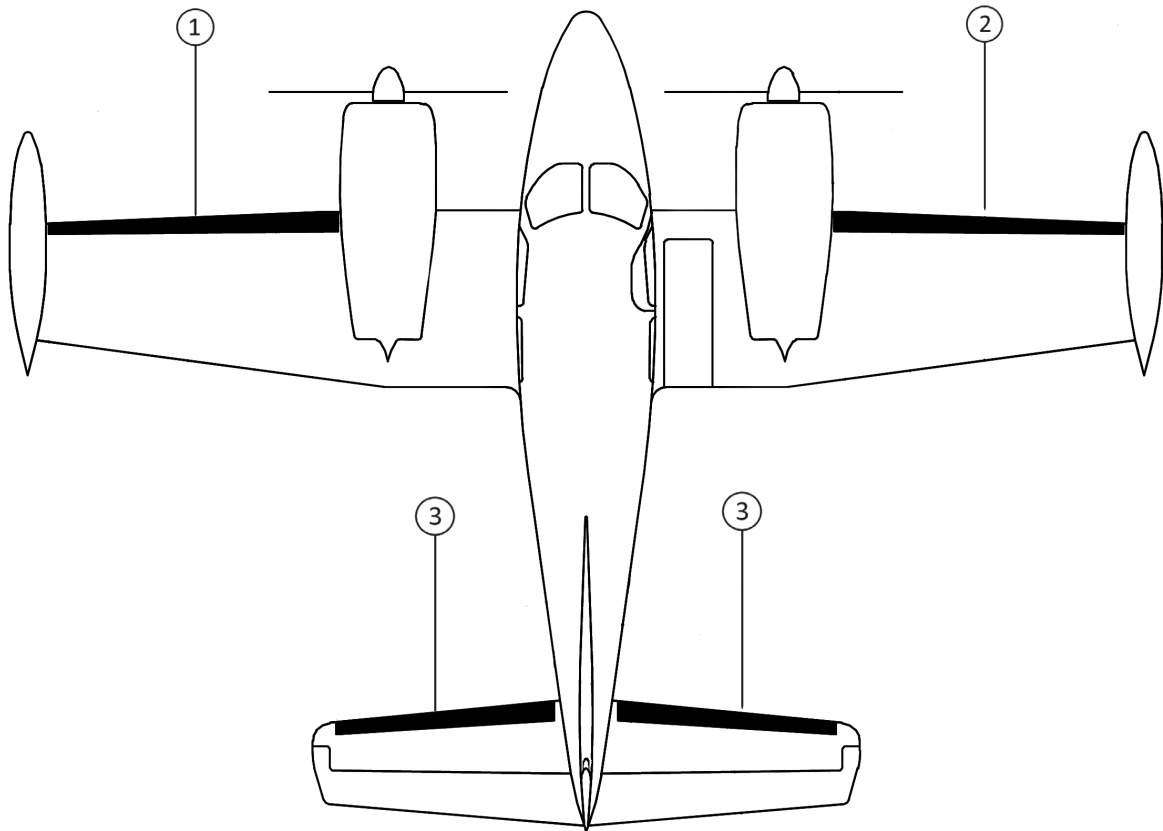
**FASTboot® DE-ICE BOOTS**

POSITION ID	GOODRICH PART NUMBER	AIRCRAFT OEM P/N	DESCRIPTION	QTY PER AIRCRAFT	WT
1	P29S5D2010-1-1		FASTBOOT® NACELLE-TIP LH TTS DE-ICE BOOT	1	4.3
2	P29S5D2010-1-2		FASTBOOT® NACELLE-TIP RH TTS DE-ICE BOOT	1	4.4
2	P29S5D2010-3-2*		FASTBOOT® NACELLE-TIP RH TTS DE-ICE BOOT	1	4.4
3	P29S5D2010-2-1		FASTBOOT® HORIZONTAL STABILIZER LH/RH TTS DE-ICE BOOT	2	3.6

TYPE 29 SEWN DE-ICER PROVIDES HIGHER DURABILITY THAN TYPE 23 TUBE TYPE DESIGN

\*P29S5D2010-3-2 HAS CUTOUT FOR LIFT TRANSDUCER

**CESSNA 310A (MILITARY DESIGNATION U-3A)**



CESSNA 310A (MILITARY DESIGNATION U-3A)



**CESSNA 310B**
**CESSNA 310B**
**STANDARD DE-ICE BOOTS**

POSITION ID	GOODRICH PART NUMBER	AIRCRAFT OEM P/N	DESCRIPTION	QTY PER AIRCRAFT	WT
1	29S5D2010-1-1		NACELLE-TIP LH TTS DE-ICE BOOT	1	4.3
2	29S5D2010-1-2		NACELLE-TIP RH TTS DE-ICE BOOT	1	4.4
2	29S5D2010-3-2*		NACELLE-TIP RH TTS DE-ICE BOOT	1	4.4
3	29S5D2010-2-1		HORIZONTAL STABILIZER LH/RH TTS DE-ICE BOOT	2	3.6

TYPE 29 SEWN DE-ICER PROVIDES HIGHER DURABILITY THAN TYPE 23 TUBE TYPE DESIGN

\*29S5D2010-3-2 HAS CUTOUT FOR LIFT TRANSDUCER

**SUPERSEDED STANDARD DE-ICE BOOTS**

POSITION ID	GOODRICH PART NUMBER	AIRCRAFT OEM P/N	DESCRIPTION	QTY PER AIRCRAFT	WT
1	23S-2010-1-1	0820517-9	NACELLE-TIP LH DE-ICE BOOT (SUPERSEDED BY P/N 29S5D2010-1-1)	1	4.6
2	23S-2010-1-2	0820517-10	NACELLE-TIP RH DE-ICE BOOT (SUPERSEDED BY P/N 29S5D2010-1-2)	1	4.7
3	23S-2010-2-1	0820517-11	HORIZONTAL STABILIZER LH/RH DE-ICE BOOT (SUPERSEDED BY P/N 29S5D2010-2-1)	2	3.7

**FASTboot® DE-ICE BOOTS**

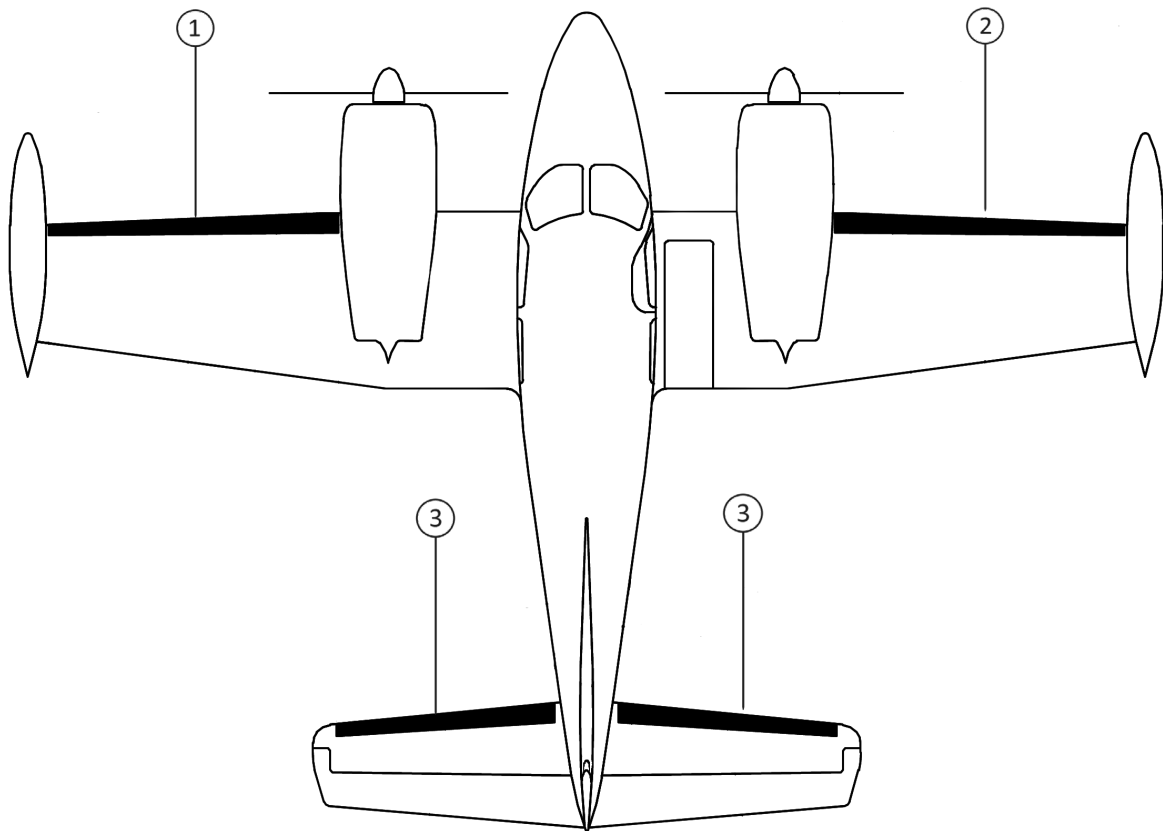
POSITION ID	GOODRICH PART NUMBER	AIRCRAFT OEM P/N	DESCRIPTION	QTY PER AIRCRAFT	WT
1	P29S5D2010-1-1		FASTBOOT® NACELLE-TIP LH TTS DE-ICE BOOT	1	4.3
2	P29S5D2010-1-2		FASTBOOT® NACELLE-TIP RH TTS DE-ICE BOOT	1	4.4
2	P29S5D2010-3-2*		FASTBOOT® NACELLE-TIP RH TTS DE-ICE BOOT	1	4.4
3	P29S5D2010-2-1		FASTBOOT® HORIZONTAL STABILIZER LH/RH TTS DE-ICE BOOT	2	3.6

TYPE 29 SEWN DE-ICER PROVIDES HIGHER DURABILITY THAN TYPE 23 TUBE TYPE DESIGN

\*P29S5D2010-3-2 HAS CUTOUT FOR LIFT TRANSDUCER

**CESSNA 310B**

**CESSNA 310B**



**CESSNA 310C**
**CESSNA 310C**
**STANDARD DE-ICE BOOTS**

POSITION ID	GOODRICH PART NUMBER	AIRCRAFT OEM P/N	DESCRIPTION	QTY PER AIRCRAFT	WT
1	29S5D2010-1-1		NACELLE-TIP LH TTS DE-ICE BOOT	1	4.3
2	29S5D2010-1-2		NACELLE-TIP RH TTS DE-ICE BOOT	1	4.4
2	29S5D2010-3-2*		NACELLE-TIP RH TTS DE-ICE BOOT	1	4.4
3	29S5D2010-2-1		HORIZONTAL STABILIZER LH/RH TTS DE-ICE BOOT	2	3.6

TYPE 29 SEWN DE-ICER PROVIDES HIGHER DURABILITY THAN TYPE 23 TUBE TYPE DESIGN

\*29S5D2010-3-2 HAS CUTOUT FOR LIFT TRANSDUCER

**SUPERSEDED STANDARD DE-ICE BOOTS**

POSITION ID	GOODRICH PART NUMBER	AIRCRAFT OEM P/N	DESCRIPTION	QTY PER AIRCRAFT	WT
1	23S-2010-1-1	0820517-9	NACELLE-TIP LH DE-ICE BOOT (SUPERSEDED BY P/N 29S5D2010-1-1)	1	4.6
2	23S-2010-1-2	0820517-10	NACELLE-TIP RH DE-ICE BOOT (SUPERSEDED BY P/N 29S5D2010-1-2)	1	4.7
3	23S-2010-2-1	0820517-11	HORIZONTAL STABILIZER LH/RH DE-ICE BOOT (SUPERSEDED BY P/N 29S5D2010-2-1)	2	3.7

**FASTboot® DE-ICE BOOTS**

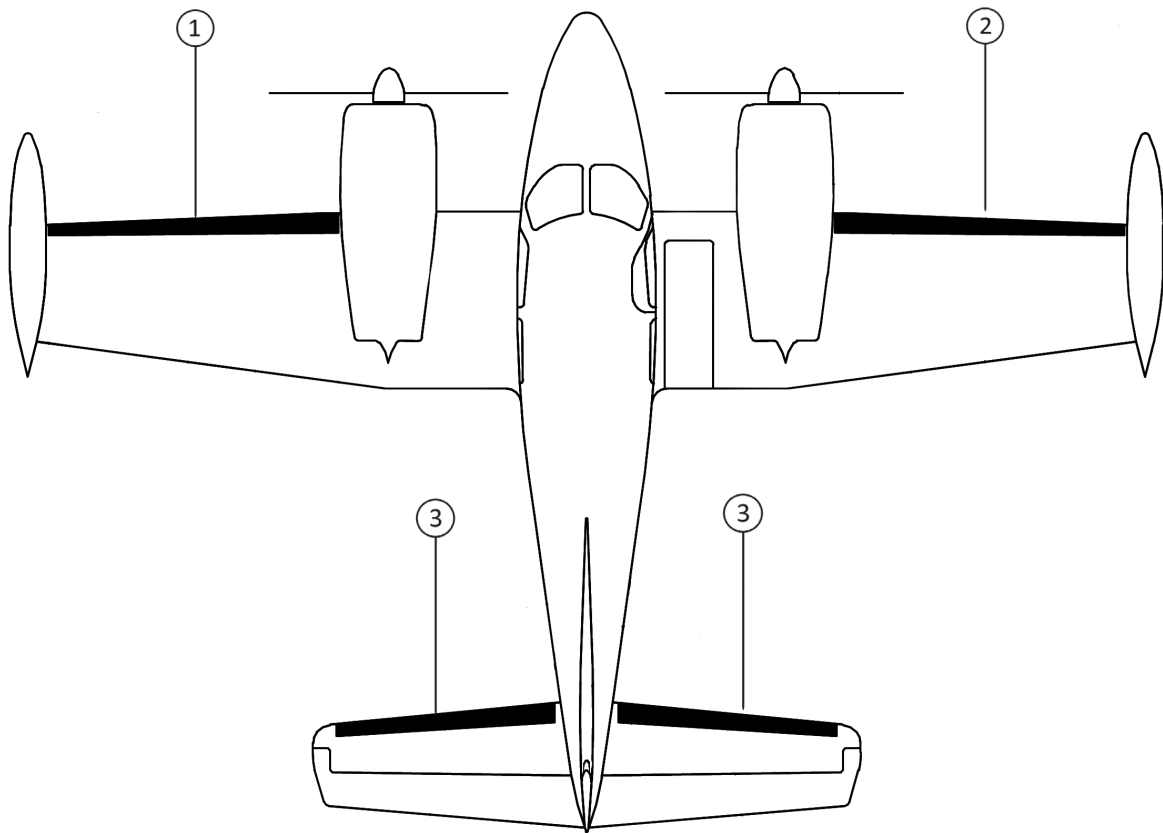
POSITION ID	GOODRICH PART NUMBER	AIRCRAFT OEM P/N	DESCRIPTION	QTY PER AIRCRAFT	WT
1	P29S5D2010-1-1		FASTBOOT® NACELLE-TIP LH TTS DE-ICE BOOT	1	4.3
2	P29S5D2010-1-2		FASTBOOT® NACELLE-TIP RH TTS DE-ICE BOOT	1	4.4
2	P29S5D2010-3-2*		FASTBOOT® NACELLE-TIP RH TTS DE-ICE BOOT	1	4.4
3	P29S5D2010-2-1		FASTBOOT® HORIZONTAL STABILIZER LH/RH TTS DE-ICE BOOT	2	3.6

TYPE 29 SEWN DE-ICER PROVIDES HIGHER DURABILITY THAN TYPE 23 TUBE TYPE DESIGN

\*P29S5D2010-3-2 HAS CUTOUT FOR LIFT TRANSDUCER

**CESSNA 310C**

**CESSNA 310C**



**CESSNA 310D**
**CESSNA 310D**
**STANDARD DE-ICE BOOTS**

POSITION ID	GOODRICH PART NUMBER	AIRCRAFT OEM P/N	DESCRIPTION	QTY PER AIRCRAFT	WT
1	29S5D2010-1-1		NACELLE-TIP LH TTS DE-ICE BOOT	1	4.3
2	29S5D2010-1-2		NACELLE-TIP RH TTS DE-ICE BOOT	1	4.4
2	29S5D2010-3-2*		NACELLE-TIP RH TTS DE-ICE BOOT	1	4.4
3	29S5D2010-2-1		HORIZONTAL STABILIZER LH/RH TTS DE-ICE BOOT	2	3.6

TYPE 29 SEWN DE-ICER PROVIDES HIGHER DURABILITY THAN TYPE 23 TUBE TYPE DESIGN

\*29S5D2010-3-2 HAS CUTOUT FOR LIFT TRANSDUCER

**SUPERSEDED STANDARD DE-ICE BOOTS**

POSITION ID	GOODRICH PART NUMBER	AIRCRAFT OEM P/N	DESCRIPTION	QTY PER AIRCRAFT	WT
1	23S-2010-1-1	0820517-9	NACELLE-TIP LH DE-ICE BOOT (SUPERSEDED BY P/N 29S5D2010-1-1)	1	4.6
2	23S-2010-1-2	0820517-10	NACELLE-TIP RH DE-ICE BOOT (SUPERSEDED BY P/N 29S5D2010-1-2)	1	4.7
3	23S-2010-2-1	0820517-11	HORIZONTAL STABILIZER LH/RH DE-ICE BOOT (SUPERSEDED BY P/N 29S5D2010-2-1)	2	3.7

**FASTboot® DE-ICE BOOTS**

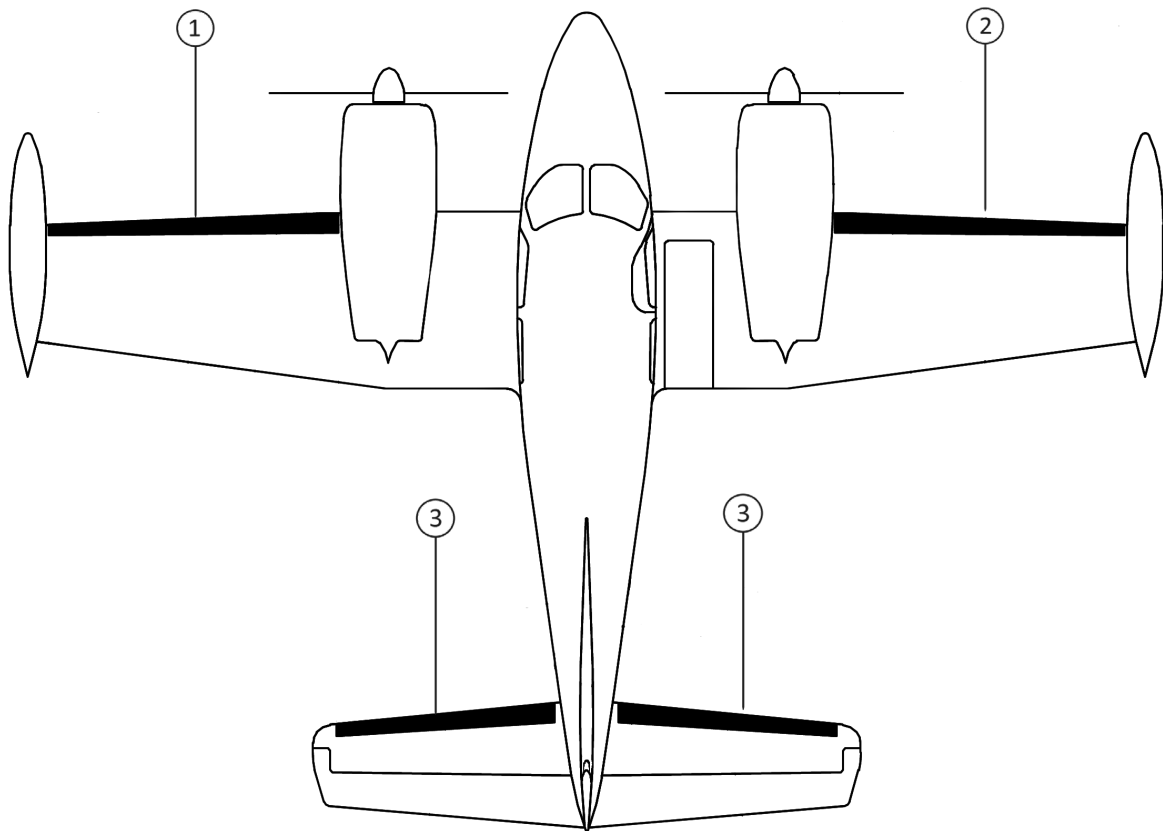
POSITION ID	GOODRICH PART NUMBER	AIRCRAFT OEM P/N	DESCRIPTION	QTY PER AIRCRAFT	WT
1	P29S5D2010-1-1		FASTBOOT® NACELLE-TIP LH TTS DE-ICE BOOT	1	4.3
2	P29S5D2010-1-2		FASTBOOT® NACELLE-TIP RH TTS DE-ICE BOOT	1	4.4
2	P29S5D2010-3-2*		FASTBOOT® NACELLE-TIP RH TTS DE-ICE BOOT	1	4.4
3	P29S5D2010-2-1		FASTBOOT® HORIZONTAL STABILIZER LH/RH TTS DE-ICE BOOT	2	3.6

TYPE 29 SEWN DE-ICER PROVIDES HIGHER DURABILITY THAN TYPE 23 TUBE TYPE DESIGN

\*P29S5D2010-3-2 HAS CUTOUT FOR LIFT TRANSDUCER

**CESSNA 310D**

**CESSNA 310D**



**CESSNA 310E (MILITARY DESIGNATION U-3B)**
**CESSNA 310E (MILITARY DESIGNATION U-3B)**
**STANDARD DE-ICE BOOTS**

POSITION ID	GOODRICH PART NUMBER	AIRCRAFT OEM P/N	DESCRIPTION	QTY PER AIRCRAFT	WT
1	29S5D2010-1-1		NACELLE-TIP LH TTS DE-ICE BOOT	1	4.3
2	29S5D2010-1-2		NACELLE-TIP RH TTS DE-ICE BOOT	1	4.4
2	29S5D2010-3-2*		NACELLE-TIP RH TTS DE-ICE BOOT	1	4.4
3	29S5D2010-2-1		HORIZONTAL STABILIZER LH/RH TTS DE-ICE BOOT	2	3.6

TYPE 29 SEWN DE-ICER PROVIDES HIGHER DURABILITY THAN TYPE 23 TUBE TYPE DESIGN

\*29S5D2010-3-2 HAS CUTOUT FOR LIFT TRANSDUCER

**SUPERSEDED STANDARD DE-ICE BOOTS**

POSITION ID	GOODRICH PART NUMBER	AIRCRAFT OEM P/N	DESCRIPTION	QTY PER AIRCRAFT	WT
1	23S-2010-1-1	0820517-9	NACELLE-TIP LH DE-ICE BOOT (SUPERSEDED BY P/N 29S5D2010-1-1)	1	4.6
2	23S-2010-1-2	0820517-10	NACELLE-TIP RH DE-ICE BOOT (SUPERSEDED BY P/N 29S5D2010-1-2)	1	4.7
3	23S-2010-2-1	0820517-11	HORIZONTAL STABILIZER LH/RH DE-ICE BOOT (SUPERSEDED BY P/N 29S5D2010-2-1)	2	3.7

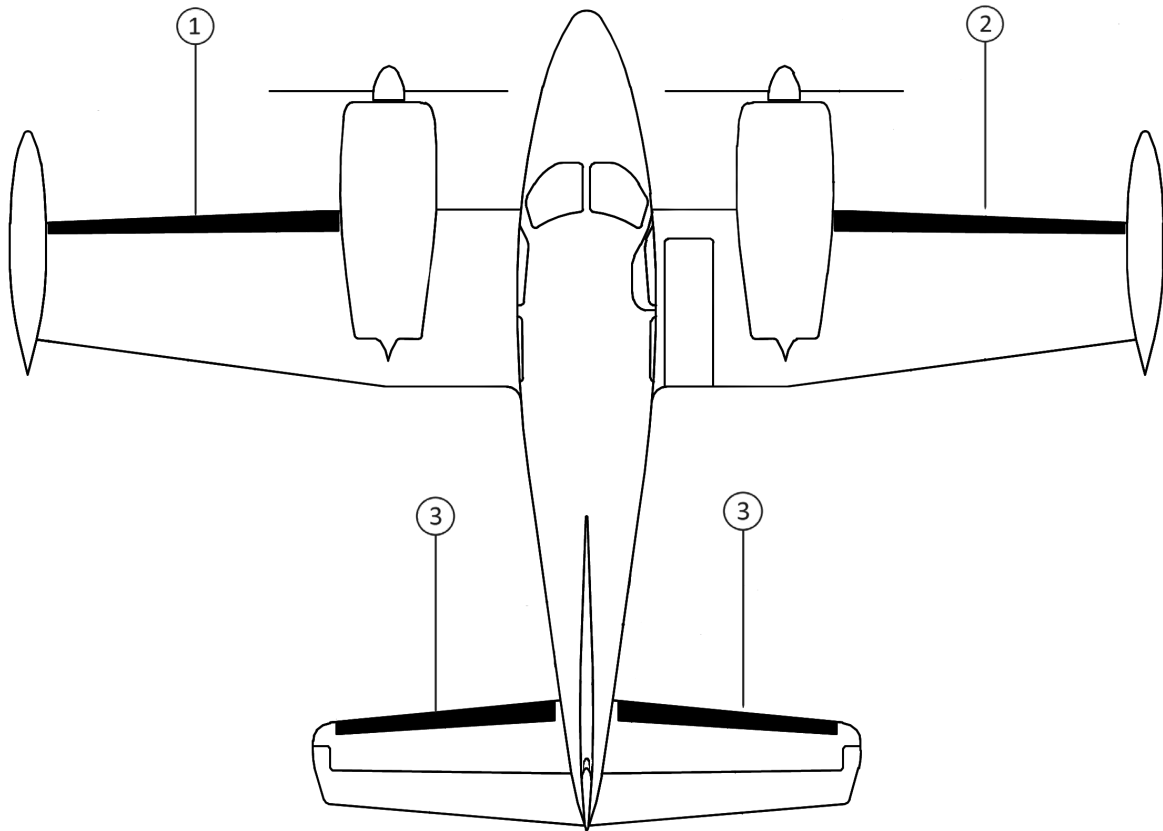
**FASTboot® DE-ICE BOOTS**

POSITION ID	GOODRICH PART NUMBER	AIRCRAFT OEM P/N	DESCRIPTION	QTY PER AIRCRAFT	WT
1	P29S5D2010-1-1		FASTBOOT® NACELLE-TIP LH TTS DE-ICE BOOT	1	4.3
2	P29S5D2010-1-2		FASTBOOT® NACELLE-TIP RH TTS DE-ICE BOOT	1	4.4
2	P29S5D2010-3-2*		FASTBOOT® NACELLE-TIP RH TTS DE-ICE BOOT	1	4.4
3	P29S5D2010-2-1		FASTBOOT® HORIZONTAL STABILIZER LH/RH TTS DE-ICE BOOT	2	3.6

TYPE 29 SEWN DE-ICER PROVIDES HIGHER DURABILITY THAN TYPE 23 TUBE TYPE DESIGN

\*P29S5D2010-3-2 HAS CUTOUT FOR LIFT TRANSDUCER

**CESSNA 310E (MILITARY DESIGNATION U-3B)**



**CESSNA 310E (MILITARY DESIGNATION U-3B)**



**CESSNA 310F**
**CESSNA 310F**
**STANDARD DE-ICE BOOTS**

POSITION ID	GOODRICH PART NUMBER	AIRCRAFT OEM P/N	DESCRIPTION	QTY PER AIRCRAFT	WT
1	29S5D2010-1-1		NACELLE-TIP LH TTS DE-ICE BOOT	1	4.3
2	29S5D2010-1-2		NACELLE-TIP RH TTS DE-ICE BOOT	1	4.4
2	29S5D2010-3-2*		NACELLE-TIP RH TTS DE-ICE BOOT	1	4.4
3	29S5D2010-2-1		HORIZONTAL STABILIZER LH/RH TTS DE-ICE BOOT	2	3.6

TYPE 29 SEWN DE-ICER PROVIDES HIGHER DURABILITY THAN TYPE 23 TUBE TYPE DESIGN

\*29S5D2010-3-2 HAS CUTOUT FOR LIFT TRANSDUCER

**SUPERSEDED STANDARD DE-ICE BOOTS**

POSITION ID	GOODRICH PART NUMBER	AIRCRAFT OEM P/N	DESCRIPTION	QTY PER AIRCRAFT	WT
1	23S-2010-1-1	0820517-9	NACELLE-TIP LH DE-ICE BOOT (SUPERSEDED BY P/N 29S5D2010-1-1)	1	4.6
2	23S-2010-1-2	0820517-10	NACELLE-TIP RH DE-ICE BOOT (SUPERSEDED BY P/N 29S5D2010-1-2)	1	4.7
3	23S-2010-2-1	0820517-11	HORIZONTAL STABILIZER LH/RH DE-ICE BOOT (SUPERSEDED BY P/N 29S5D2010-2-1)	2	3.7

**FASTboot® DE-ICE BOOTS**

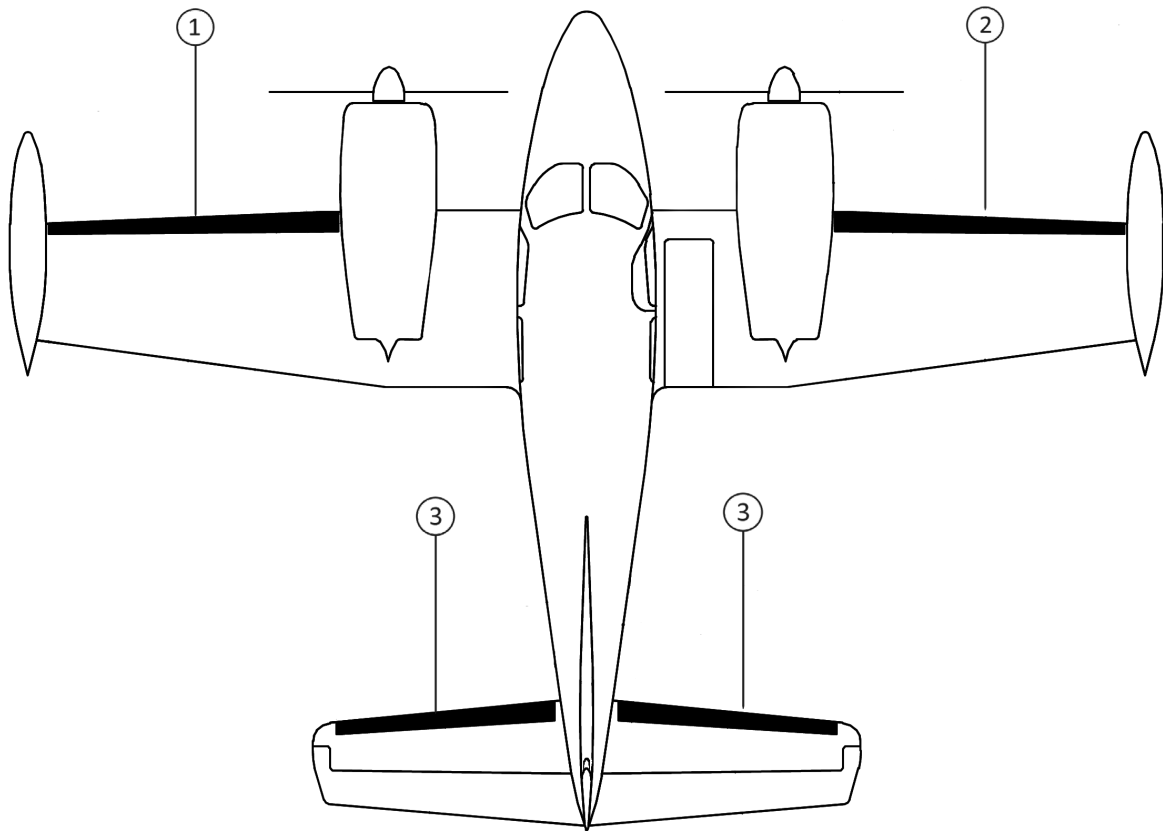
POSITION ID	GOODRICH PART NUMBER	AIRCRAFT OEM P/N	DESCRIPTION	QTY PER AIRCRAFT	WT
1	P29S5D2010-1-1		FASTBOOT® NACELLE-TIP LH TTS DE-ICE BOOT	1	4.3
2	P29S5D2010-1-2		FASTBOOT® NACELLE-TIP RH TTS DE-ICE BOOT	1	4.4
2	P29S5D2010-3-2*		FASTBOOT® NACELLE-TIP RH TTS DE-ICE BOOT	1	4.4
3	P29S5D2010-2-1		FASTBOOT® HORIZONTAL STABILIZER LH/RH TTS DE-ICE BOOT	2	3.6

TYPE 29 SEWN DE-ICER PROVIDES HIGHER DURABILITY THAN TYPE 23 TUBE TYPE DESIGN

\*P29S5D2010-3-2 HAS CUTOUT FOR LIFT TRANSDUCER

**CESSNA 310F**

**CESSNA 310F**



**CESSNA 310G**
**CESSNA 310G**
**STANDARD DE-ICE BOOTS**

POSITION ID	GOODRICH PART NUMBER	AIRCRAFT OEM P/N	DESCRIPTION	QTY PER AIRCRAFT	WT
1	29S5D2010-1-1		NACELLE-TIP LH TTS DE-ICE BOOT	1	4.3
2	29S5D2010-1-2		NACELLE-TIP RH TTS DE-ICE BOOT	1	4.4
2	29S5D2010-3-2*		NACELLE-TIP RH TTS DE-ICE BOOT	1	4.4
3	29S5D2010-2-1		HORIZONTAL STABILIZER LH/RH TTS DE-ICE BOOT	2	3.6

TYPE 29 SEWN DE-ICER PROVIDES HIGHER DURABILITY THAN TYPE 23 TUBE TYPE DESIGN

\*29S5D2010-3-2 HAS CUTOUT FOR LIFT TRANSDUCER

**SUPERSEDED STANDARD DE-ICE BOOTS**

POSITION ID	GOODRICH PART NUMBER	AIRCRAFT OEM P/N	DESCRIPTION	QTY PER AIRCRAFT	WT
1	23S-2010-1-1	0820517-9	NACELLE-TIP LH DE-ICE BOOT (SUPERSEDED BY P/N 29S5D2010-1-1)	1	4.6
2	23S-2010-1-2	0820517-10	NACELLE-TIP RH DE-ICE BOOT (SUPERSEDED BY P/N 29S5D2010-1-2)	1	4.7
3	23S-2010-2-1	0820517-11	HORIZONTAL STABILIZER LH/RH DE-ICE BOOT (SUPERSEDED BY P/N 29S5D2010-2-1)	2	3.7

**FASTboot® DE-ICE BOOTS**

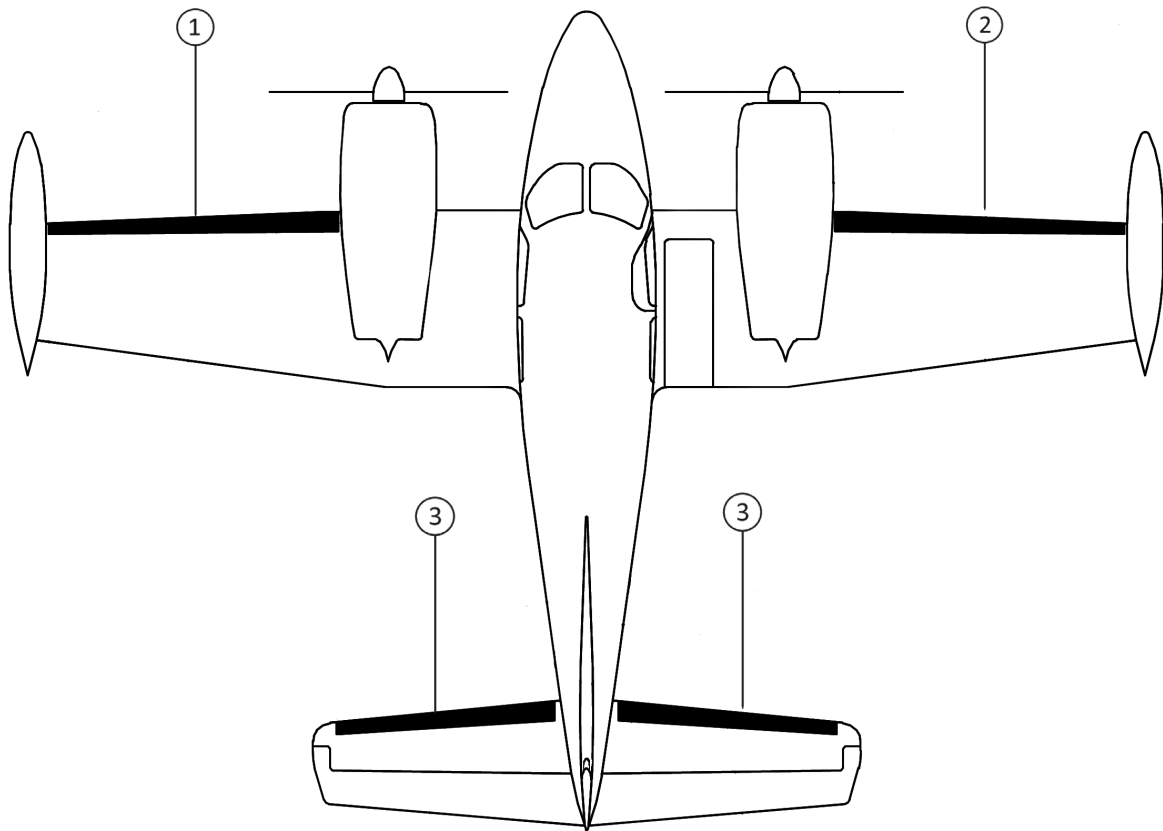
POSITION ID	GOODRICH PART NUMBER	AIRCRAFT OEM P/N	DESCRIPTION	QTY PER AIRCRAFT	WT
1	P29S5D2010-1-1		FASTBOOT® NACELLE-TIP LH TTS DE-ICE BOOT	1	4.3
2	P29S5D2010-1-2		FASTBOOT® NACELLE-TIP RH TTS DE-ICE BOOT	1	4.4
2	P29S5D2010-3-2*		FASTBOOT® NACELLE-TIP RH TTS DE-ICE BOOT	1	4.4
3	P29S5D2010-2-1		FASTBOOT® HORIZONTAL STABILIZER LH/RH TTS DE-ICE BOOT	2	3.6

TYPE 29 SEWN DE-ICER PROVIDES HIGHER DURABILITY THAN TYPE 23 TUBE TYPE DESIGN

\*P29S5D2010-3-2 HAS CUTOUT FOR LIFT TRANSDUCER

**CESSNA 310G**

**CESSNA 310G**



**CESSNA 310H**
**CESSNA 310H**
**STANDARD DE-ICE BOOTS**

POSITION ID	GOODRICH PART NUMBER	AIRCRAFT OEM P/N	DESCRIPTION	QTY PER AIRCRAFT	WT
1	29S5D2010-1-1		NACELLE-TIP LH TTS DE-ICE BOOT	1	4.3
2	29S5D2010-1-2		NACELLE-TIP RH TTS DE-ICE BOOT	1	4.4
2	29S5D2010-3-2*		NACELLE-TIP RH TTS DE-ICE BOOT	1	4.4
3	29S5D2010-2-1		HORIZONTAL STABILIZER LH/RH TTS DE-ICE BOOT	2	3.6

TYPE 29 SEWN DE-ICER PROVIDES HIGHER DURABILITY THAN TYPE 23 TUBE TYPE DESIGN

\*29S5D2010-3-2 HAS CUTOUT FOR LIFT TRANSDUCER

**SUPERSEDED STANDARD DE-ICE BOOTS**

POSITION ID	GOODRICH PART NUMBER	AIRCRAFT OEM P/N	DESCRIPTION	QTY PER AIRCRAFT	WT
1	23S-2010-1-1	0820517-9	NACELLE-TIP LH DE-ICE BOOT (SUPERSEDED BY P/N 29S5D2010-1-1)	1	4.6
2	23S-2010-1-2	0820517-10	NACELLE-TIP RH DE-ICE BOOT (SUPERSEDED BY P/N 29S5D2010-1-2)	1	4.7
3	23S-2010-2-1	0820517-11	HORIZONTAL STABILIZER LH/RH DE-ICE BOOT (SUPERSEDED BY P/N 29S5D2010-2-1)	2	3.7

**FASTboot® DE-ICE BOOTS**

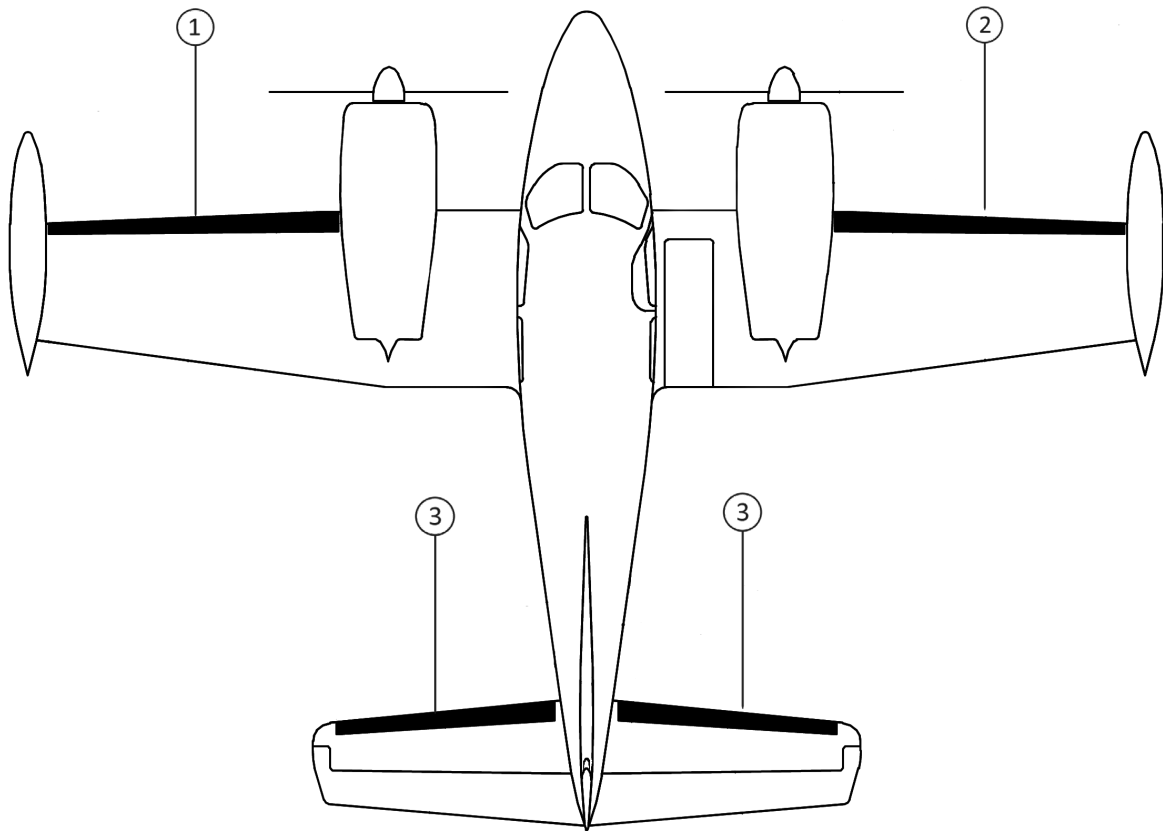
POSITION ID	GOODRICH PART NUMBER	AIRCRAFT OEM P/N	DESCRIPTION	QTY PER AIRCRAFT	WT
1	P29S5D2010-1-1		FASTBOOT® NACELLE-TIP LH TTS DE-ICE BOOT	1	4.3
2	P29S5D2010-1-2		FASTBOOT® NACELLE-TIP RH TTS DE-ICE BOOT	1	4.4
2	P29S5D2010-3-2*		FASTBOOT® NACELLE-TIP RH TTS DE-ICE BOOT	1	4.4
3	P29S5D2010-2-1		FASTBOOT® HORIZONTAL STABILIZER LH/RH TTS DE-ICE BOOT	2	3.6

TYPE 29 SEWN DE-ICER PROVIDES HIGHER DURABILITY THAN TYPE 23 TUBE TYPE DESIGN

\*P29S5D2010-3-2 HAS CUTOUT FOR LIFT TRANSDUCER

**CESSNA 310H**

**CESSNA 310H**



**CESSNA 310I**
**CESSNA 310I**
**STANDARD DE-ICE BOOTS**

POSITION ID	GOODRICH PART NUMBER	AIRCRAFT OEM P/N	DESCRIPTION	QTY PER AIRCRAFT	WT
1	29S5D2010-1-1		NACELLE-TIP LH TTS DE-ICE BOOT	1	4.3
2	29S5D2010-1-2		NACELLE-TIP RH TTS DE-ICE BOOT	1	4.4
2	29S5D2010-3-2*		NACELLE-TIP RH TTS DE-ICE BOOT	1	4.4
3	29S5D2010-2-1		HORIZONTAL STABILIZER LH/RH TTS DE-ICE BOOT	2	3.6

TYPE 29 SEWN DE-ICER PROVIDES HIGHER DURABILITY THAN TYPE 23 TUBE TYPE DESIGN

\*29S5D2010-3-2 HAS CUTOUT FOR LIFT TRANSDUCER

**SUPERSEDED STANDARD DE-ICE BOOTS**

POSITION ID	GOODRICH PART NUMBER	AIRCRAFT OEM P/N	DESCRIPTION	QTY PER AIRCRAFT	WT
1	23S-2010-1-1	0820517-9	NACELLE-TIP LH DE-ICE BOOT (SUPERSEDED BY P/N 29S5D2010-1-1)	1	4.6
2	23S-2010-1-2	0820517-10	NACELLE-TIP RH DE-ICE BOOT (SUPERSEDED BY P/N 29S5D2010-1-2)	1	4.7
3	23S-2010-2-1	0820517-11	HORIZONTAL STABILIZER LH/RH DE-ICE BOOT (SUPERSEDED BY P/N 29S5D2010-2-1)	2	3.7

**FASTboot® DE-ICE BOOTS**

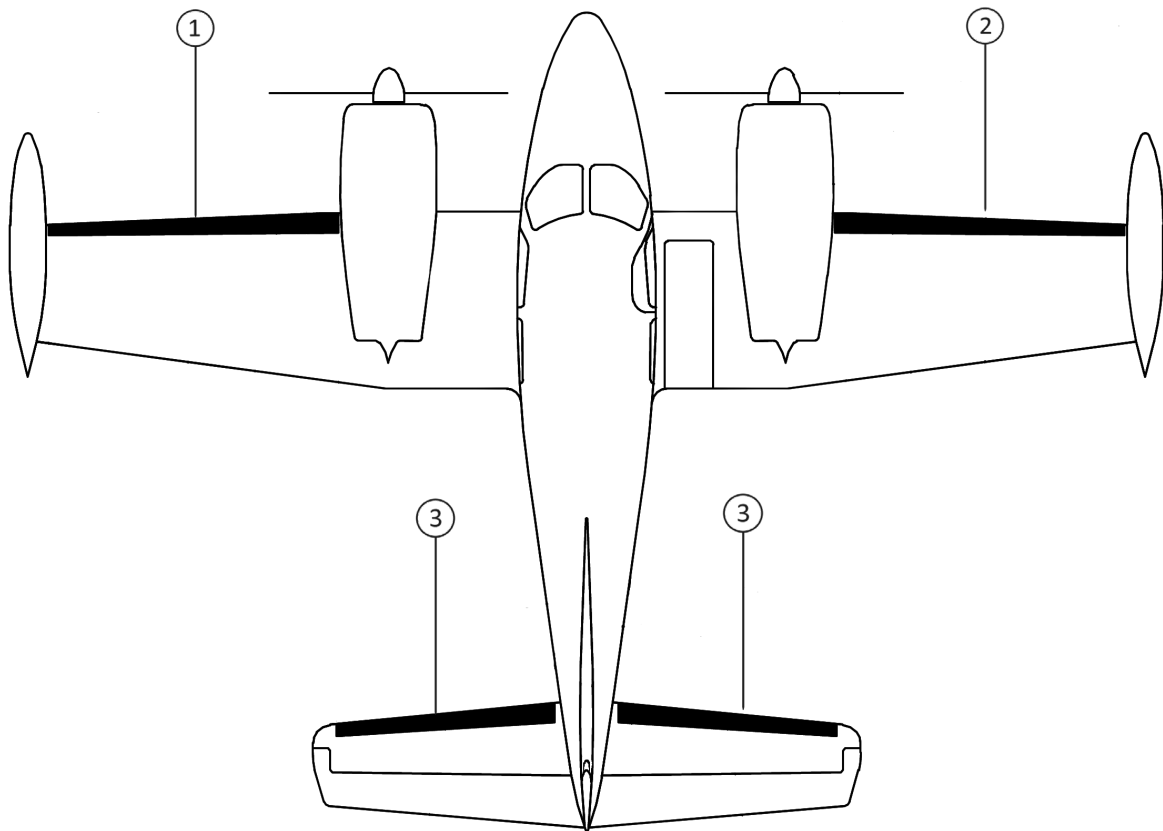
POSITION ID	GOODRICH PART NUMBER	AIRCRAFT OEM P/N	DESCRIPTION	QTY PER AIRCRAFT	WT
1	P29S5D2010-1-1		FASTBOOT® NACELLE-TIP LH TTS DE-ICE BOOT	1	4.3
2	P29S5D2010-1-2		FASTBOOT® NACELLE-TIP RH TTS DE-ICE BOOT	1	4.4
2	P29S5D2010-3-2*		FASTBOOT® NACELLE-TIP RH TTS DE-ICE BOOT	1	4.4
3	P29S5D2010-2-1		FASTBOOT® HORIZONTAL STABILIZER LH/RH TTS DE-ICE BOOT	2	3.6

TYPE 29 SEWN DE-ICER PROVIDES HIGHER DURABILITY THAN TYPE 23 TUBE TYPE DESIGN

\*P29S5D2010-3-2 HAS CUTOUT FOR LIFT TRANSDUCER

**CESSNA 310I**

**CESSNA 310I**





**CESSNA 310J**
**CESSNA 310J**
**STANDARD DE-ICE BOOTS**

POSITION ID	GOODRICH PART NUMBER	AIRCRAFT OEM P/N	DESCRIPTION	QTY PER AIRCRAFT	WT
1	29S5D2010-1-1		NACELLE-TIP LH TTS DE-ICE BOOT	1	4.3
2	29S5D2010-1-2		NACELLE-TIP RH TTS DE-ICE BOOT	1	4.4
2	29S5D2010-3-2*		NACELLE-TIP RH TTS DE-ICE BOOT	1	4.4
3	29S5D2010-2-1		HORIZONTAL STABILIZER LH/RH TTS DE-ICE BOOT	2	3.6

TYPE 29 SEWN DE-ICER PROVIDES HIGHER DURABILITY THAN TYPE 23 TUBE TYPE DESIGN

\*29S5D2010-3-2 HAS CUTOUT FOR LIFT TRANSDUCER

**SUPERSEDED STANDARD DE-ICE BOOTS**

POSITION ID	GOODRICH PART NUMBER	AIRCRAFT OEM P/N	DESCRIPTION	QTY PER AIRCRAFT	WT
1	23S-2010-1-1	0820517-9	NACELLE-TIP LH DE-ICE BOOT (SUPERSEDED BY P/N 29S5D2010-1-1)	1	4.6
2	23S-2010-1-2	0820517-10	NACELLE-TIP RH DE-ICE BOOT (SUPERSEDED BY P/N 29S5D2010-1-2)	1	4.7
3	23S-2010-2-1	0820517-11	HORIZONTAL STABILIZER LH/RH DE-ICE BOOT (SUPERSEDED BY P/N 29S5D2010-2-1)	2	3.7

**FASTboot® DE-ICE BOOTS**

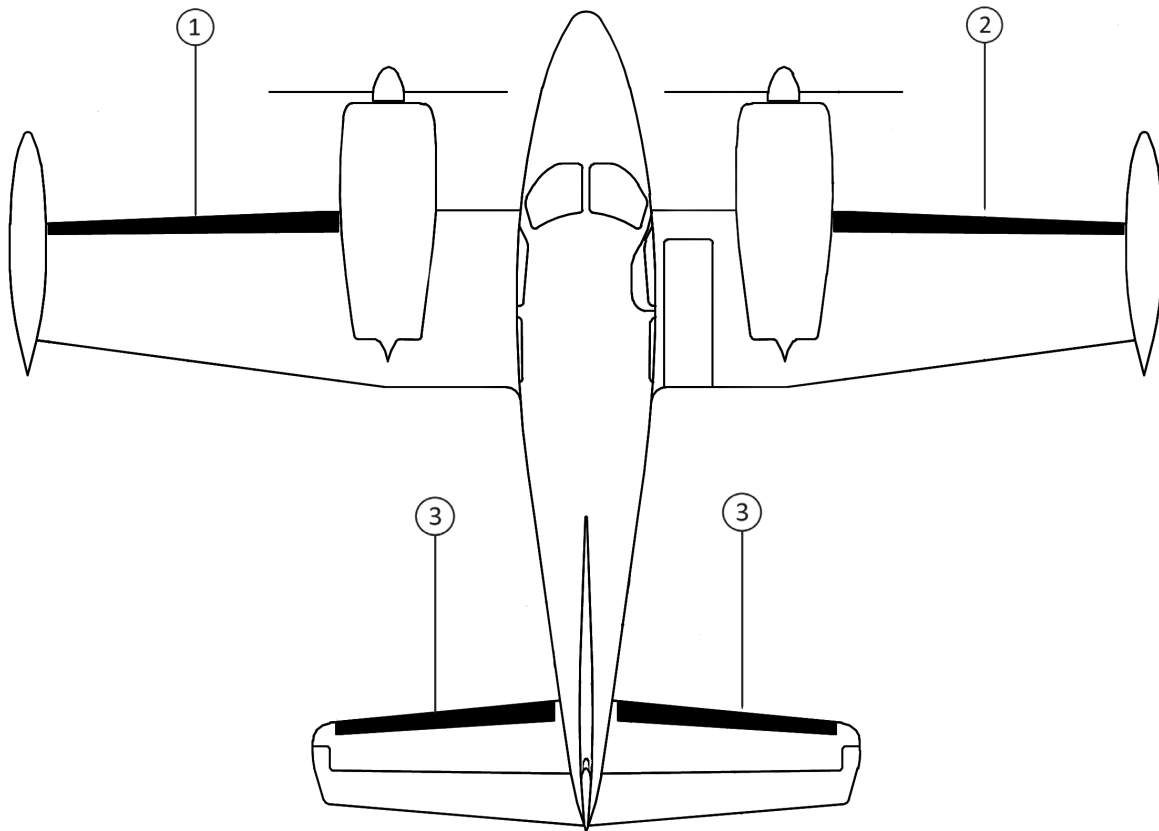
POSITION ID	GOODRICH PART NUMBER	AIRCRAFT OEM P/N	DESCRIPTION	QTY PER AIRCRAFT	WT
1	P29S5D2010-1-1		FASTBOOT® NACELLE-TIP LH TTS DE-ICE BOOT	1	4.3
2	P29S5D2010-1-2		FASTBOOT® NACELLE-TIP RH TTS DE-ICE BOOT	1	4.4
2	P29S5D2010-3-2*		FASTBOOT® NACELLE-TIP RH TTS DE-ICE BOOT	1	4.4
3	P29S5D2010-2-1		FASTBOOT® HORIZONTAL STABILIZER LH/RH TTS DE-ICE BOOT	2	3.6

TYPE 29 SEWN DE-ICER PROVIDES HIGHER DURABILITY THAN TYPE 23 TUBE TYPE DESIGN

\*P29S5D2010-3-2 HAS CUTOUT FOR LIFT TRANSDUCER

**CESSNA 310J**

**CESSNA 310J**



**CESSNA 310K**
**CESSNA 310K**
**STANDARD DE-ICE BOOTS**

POSITION ID	GOODRICH PART NUMBER	AIRCRAFT OEM P/N	DESCRIPTION	QTY PER AIRCRAFT	WT
1	29S5D2010-1-1		NACELLE-TIP LH TTS DE-ICE BOOT	1	4.3
2	29S5D2010-1-2		NACELLE-TIP RH TTS DE-ICE BOOT	1	4.4
2	29S5D2010-3-2*		NACELLE-TIP RH TTS DE-ICE BOOT	1	4.4
3	29S5D2010-2-1		HORIZONTAL STABILIZER LH/RH TTS DE-ICE BOOT	2	3.6

TYPE 29 SEWN DE-ICER PROVIDES HIGHER DURABILITY THAN TYPE 23 TUBE TYPE DESIGN

\*29S5D2010-3-2 HAS CUTOUT FOR LIFT TRANSDUCER

**SUPERSEDED STANDARD DE-ICE BOOTS**

POSITION ID	GOODRICH PART NUMBER	AIRCRAFT OEM P/N	DESCRIPTION	QTY PER AIRCRAFT	WT
1	23S-2010-1-1	0820517-9	NACELLE-TIP LH DE-ICE BOOT (SUPERSEDED BY P/N 29S5D2010-1-1)	1	4.6
2	23S-2010-1-2	0820517-10	NACELLE-TIP RH DE-ICE BOOT (SUPERSEDED BY P/N 29S5D2010-1-2)	1	4.7
3	23S-2010-2-1	0820517-11	HORIZONTAL STABILIZER LH/RH DE-ICE BOOT (SUPERSEDED BY P/N 29S5D2010-2-1)	2	3.7

**FASTboot® DE-ICE BOOTS**

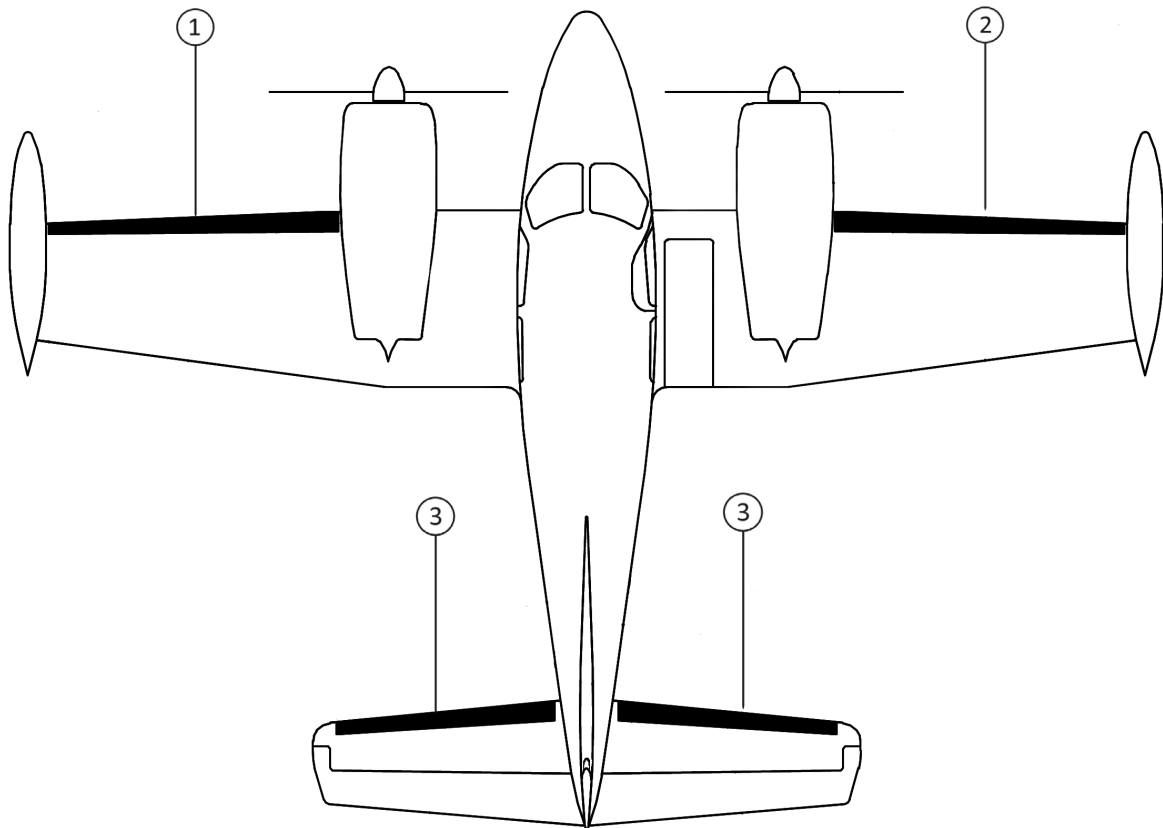
POSITION ID	GOODRICH PART NUMBER	AIRCRAFT OEM P/N	DESCRIPTION	QTY PER AIRCRAFT	WT
1	P29S5D2010-1-1		FASTBOOT® NACELLE-TIP LH TTS DE-ICE BOOT	1	4.3
2	P29S5D2010-1-2		FASTBOOT® NACELLE-TIP RH TTS DE-ICE BOOT	1	4.4
2	P29S5D2010-3-2*		FASTBOOT® NACELLE-TIP RH TTS DE-ICE BOOT	1	4.4
3	P29S5D2010-2-1		FASTBOOT® HORIZONTAL STABILIZER LH/RH TTS DE-ICE BOOT	2	3.6

TYPE 29 SEWN DE-ICER PROVIDES HIGHER DURABILITY THAN TYPE 23 TUBE TYPE DESIGN

\*P29S5D2010-3-2 HAS CUTOUT FOR LIFT TRANSDUCER

**CESSNA 310K**

**CESSNA 310K**



**CESSNA 310L**
**CESSNA 310L**
**STANDARD DE-ICE BOOTS**

POSITION ID	GOODRICH PART NUMBER	AIRCRAFT OEM P/N	DESCRIPTION	QTY PER AIRCRAFT	WT
1	29S5D2010-1-1		NACELLE-TIP LH TTS DE-ICE BOOT	1	4.3
2	29S5D2010-1-2		NACELLE-TIP RH TTS DE-ICE BOOT	1	4.4
2	29S5D2010-3-2*		NACELLE-TIP RH TTS DE-ICE BOOT	1	4.4
3	29S5D2010-2-1		HORIZONTAL STABILIZER LH/RH TTS DE-ICE BOOT	2	3.6

TYPE 29 SEWN DE-ICER PROVIDES HIGHER DURABILITY THAN TYPE 23 TUBE TYPE DESIGN

\*29S5D2010-3-2 HAS CUTOUT FOR LIFT TRANSDUCER

**SUPERSEDED STANDARD DE-ICE BOOTS**

POSITION ID	GOODRICH PART NUMBER	AIRCRAFT OEM P/N	DESCRIPTION	QTY PER AIRCRAFT	WT
1	23S-2010-1-1	0820517-9	NACELLE-TIP LH DE-ICE BOOT (SUPERSEDED BY P/N 29S5D2010-1-1)	1	4.6
2	23S-2010-1-2	0820517-10	NACELLE-TIP RH DE-ICE BOOT (SUPERSEDED BY P/N 29S5D2010-1-2)	1	4.7
3	23S-2010-2-1	0820517-11	HORIZONTAL STABILIZER LH/RH DE-ICE BOOT (SUPERSEDED BY P/N 29S5D2010-2-1)	2	3.7

**FASTboot® DE-ICE BOOTS**

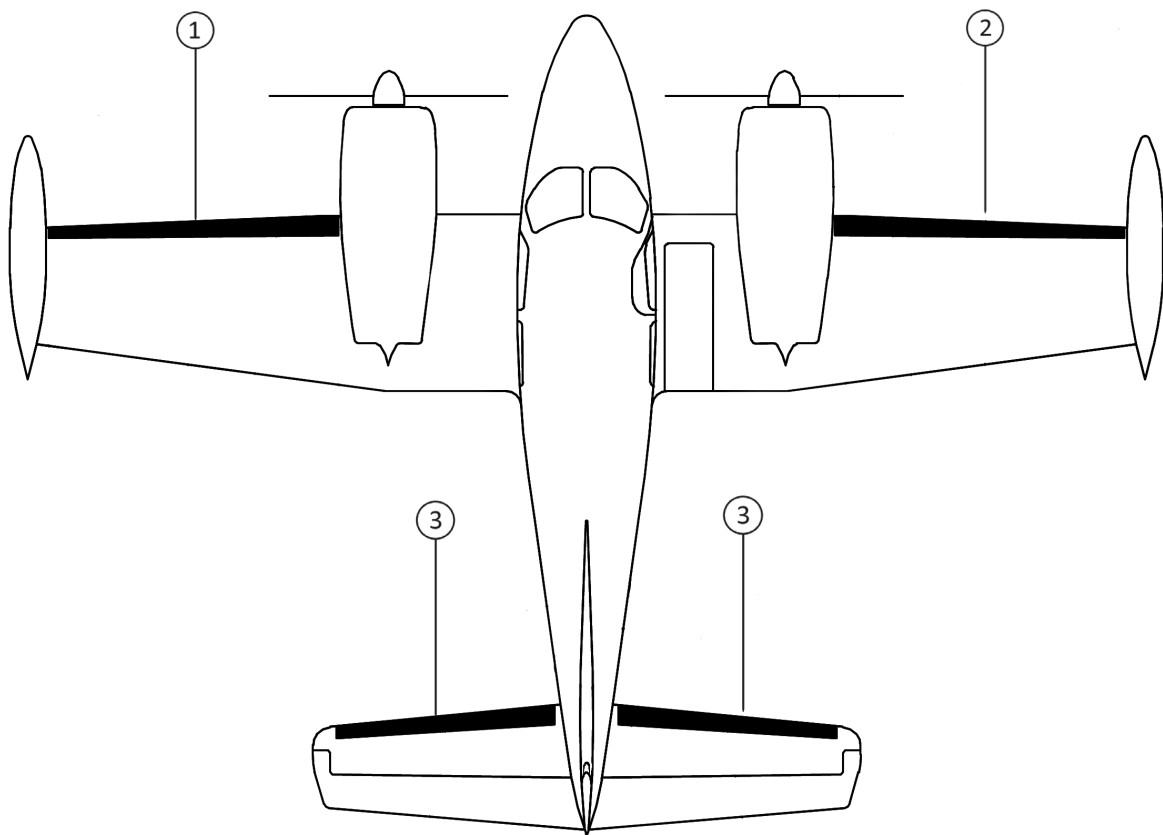
POSITION ID	GOODRICH PART NUMBER	AIRCRAFT OEM P/N	DESCRIPTION	QTY PER AIRCRAFT	WT
1	P29S5D2010-1-1		FASTBOOT® NACELLE-TIP LH TTS DE-ICE BOOT	1	4.3
2	P29S5D2010-1-2		FASTBOOT® NACELLE-TIP RH TTS DE-ICE BOOT	1	4.4
2	P29S5D2010-3-2*		FASTBOOT® NACELLE-TIP RH TTS DE-ICE BOOT	1	4.4
3	P29S5D2010-2-1		FASTBOOT® HORIZONTAL STABILIZER LH/RH TTS DE-ICE BOOT	2	3.6

TYPE 29 SEWN DE-ICER PROVIDES HIGHER DURABILITY THAN TYPE 23 TUBE TYPE DESIGN

\*P29S5D2010-3-2 HAS CUTOUT FOR LIFT TRANSDUCER

**CESSNA 310L**

**CESSNA 310L**



**CESSNA 310N**
**CESSNA 310N**
**STANDARD DE-ICE BOOTS**

POSITION ID	GOODRICH PART NUMBER	AIRCRAFT OEM P/N	DESCRIPTION	QTY PER AIRCRAFT	WT
1	29S5D2010-1-1		NACELLE-TIP LH TTS DE-ICE BOOT	1	4.3
2	29S5D2010-1-2		NACELLE-TIP RH TTS DE-ICE BOOT	1	4.4
2	29S5D2010-3-2*		NACELLE-TIP RH TTS DE-ICE BOOT	1	4.4
3	29S5D2010-2-1		HORIZONTAL STABILIZER LH/RH TTS DE-ICE BOOT	2	3.6

TYPE 29 SEWN DE-ICER PROVIDES HIGHER DURABILITY THAN TYPE 23 TUBE TYPE DESIGN

\*29S5D2010-3-2 HAS CUTOUT FOR LIFT TRANSDUCER

**SUPERSEDED STANDARD DE-ICE BOOTS**

POSITION ID	GOODRICH PART NUMBER	AIRCRAFT OEM P/N	DESCRIPTION	QTY PER AIRCRAFT	WT
1	23S-2010-1-1	0820517-9	NACELLE-TIP LH DE-ICE BOOT (SUPERSEDED BY P/N 29S5D2010-1-1)	1	4.6
2	23S-2010-1-2	0820517-10	NACELLE-TIP RH DE-ICE BOOT (SUPERSEDED BY P/N 29S5D2010-1-2)	1	4.7
3	23S-2010-2-1	0820517-11	HORIZONTAL STABILIZER LH/RH DE-ICE BOOT (SUPERSEDED BY P/N 29S5D2010-2-1)	2	3.7

**FASTboot® DE-ICE BOOTS**

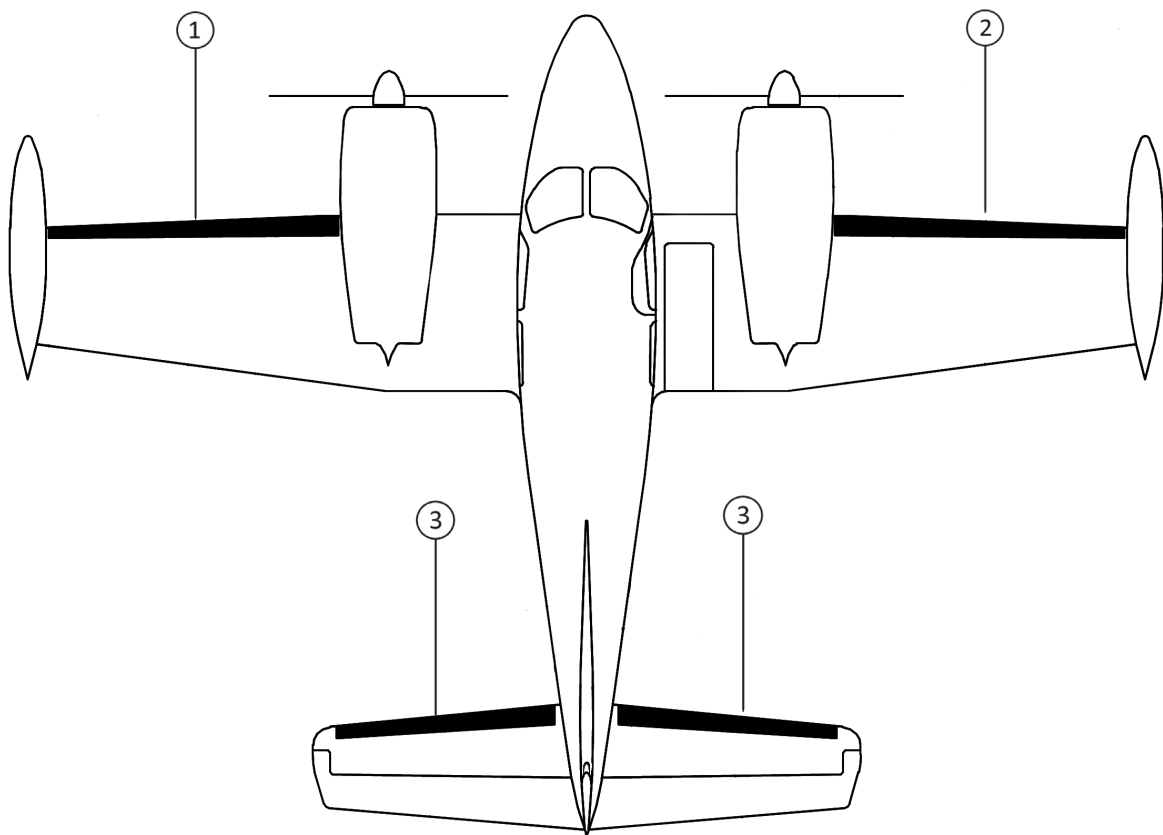
POSITION ID	GOODRICH PART NUMBER	AIRCRAFT OEM P/N	DESCRIPTION	QTY PER AIRCRAFT	WT
1	P29S5D2010-1-1		FASTBOOT® NACELLE-TIP LH TTS DE-ICE BOOT	1	4.3
2	P29S5D2010-1-2		FASTBOOT® NACELLE-TIP RH TTS DE-ICE BOOT	1	4.4
2	P29S5D2010-3-2*		FASTBOOT® NACELLE-TIP RH TTS DE-ICE BOOT	1	4.4
3	P29S5D2010-2-1		FASTBOOT® HORIZONTAL STABILIZER LH/RH TTS DE-ICE BOOT	2	3.6

TYPE 29 SEWN DE-ICER PROVIDES HIGHER DURABILITY THAN TYPE 23 TUBE TYPE DESIGN

\*P29S5D2010-3-2 HAS CUTOUT FOR LIFT TRANSDUCER

**CESSNA 310N**

**CESSNA 310N**





**CESSNA 310P**
**CESSNA 310P**
**STANDARD DE-ICE BOOTS**

POSITION ID	GOODRICH PART NUMBER	AIRCRAFT OEM P/N	DESCRIPTION	QTY PER AIRCRAFT	WT
1	29S5D2010-1-1		NACELLE-TIP LH TTS DE-ICE BOOT	1	4.3
2	29S5D2010-1-2		NACELLE-TIP RH TTS DE-ICE BOOT	1	4.4
2	29S5D2010-3-2*		NACELLE-TIP RH TTS DE-ICE BOOT	1	4.4
3	29S5D2010-2-1		HORIZONTAL STABILIZER LH/RH TTS DE-ICE BOOT	2	3.6

TYPE 29 SEWN DE-ICER PROVIDES HIGHER DURABILITY THAN TYPE 23 TUBE TYPE DESIGN

\*29S5D2010-3-2 HAS CUTOUT FOR LIFT TRANSDUCER

**SUPERSEDED STANDARD DE-ICE BOOTS**

POSITION ID	GOODRICH PART NUMBER	AIRCRAFT OEM P/N	DESCRIPTION	QTY PER AIRCRAFT	WT
1	23S-2010-1-1	0820517-9	NACELLE-TIP LH DE-ICE BOOT (SUPERSEDED BY P/N 29S5D2010-1-1)	1	4.6
2	23S-2010-1-2	0820517-10	NACELLE-TIP RH DE-ICE BOOT (SUPERSEDED BY P/N 29S5D2010-1-2)	1	4.7
3	23S-2010-2-1	0820517-11	HORIZONTAL STABILIZER LH/RH DE-ICE BOOT (SUPERSEDED BY P/N 29S5D2010-2-1)	2	3.7

**FASTboot® DE-ICE BOOTS**

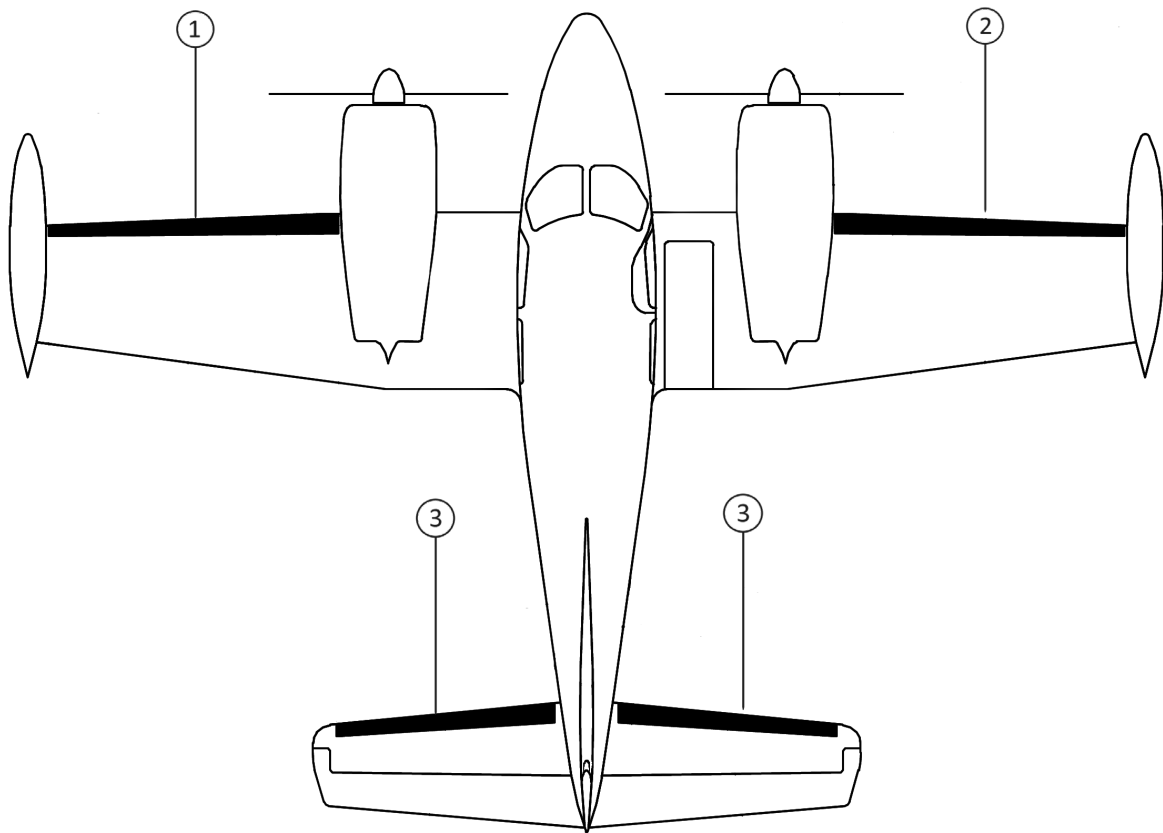
POSITION ID	GOODRICH PART NUMBER	AIRCRAFT OEM P/N	DESCRIPTION	QTY PER AIRCRAFT	WT
1	P29S5D2010-1-1		FASTBOOT® NACELLE-TIP LH TTS DE-ICE BOOT	1	4.3
2	P29S5D2010-1-2		FASTBOOT® NACELLE-TIP RH TTS DE-ICE BOOT	1	4.4
2	P29S5D2010-3-2*		FASTBOOT® NACELLE-TIP RH TTS DE-ICE BOOT	1	4.4
3	P29S5D2010-2-1		FASTBOOT® HORIZONTAL STABILIZER LH/RH TTS DE-ICE BOOT	2	3.6

TYPE 29 SEWN DE-ICER PROVIDES HIGHER DURABILITY THAN TYPE 23 TUBE TYPE DESIGN

\*P29S5D2010-3-2 HAS CUTOUT FOR LIFT TRANSDUCER

**CESSNA 310P**

**CESSNA 310P**



**CESSNA 310Q**
**CESSNA 310Q**
**STANDARD DE-ICE BOOTS**

POSITION ID	GOODRICH PART NUMBER	AIRCRAFT OEM P/N	DESCRIPTION	QTY PER AIRCRAFT	WT
1	29S5D2010-1-1		NACELLE-TIP LH TTS DE-ICE BOOT	1	4.3
2	29S5D2010-1-2		NACELLE-TIP RH TTS DE-ICE BOOT	1	4.4
2	29S5D2010-3-2*		NACELLE-TIP RH TTS DE-ICE BOOT	1	4.4
3	29S5D2010-2-1		HORIZONTAL STABILIZER LH/RH TTS DE-ICE BOOT	2	3.6

TYPE 29 SEWN DE-ICER PROVIDES HIGHER DURABILITY THAN TYPE 23 TUBE TYPE DESIGN

\*29S5D2010-3-2 HAS CUTOUT FOR LIFT TRANSDUCER

**SUPERSEDED STANDARD DE-ICE BOOTS**

POSITION ID	GOODRICH PART NUMBER	AIRCRAFT OEM P/N	DESCRIPTION	QTY PER AIRCRAFT	WT
1	23S-2010-1-1	0820517-9	NACELLE-TIP LH DE-ICE BOOT (SUPERSEDED BY P/N 29S5D2010-1-1)	1	4.6
2	23S-2010-1-2	0820517-10	NACELLE-TIP RH DE-ICE BOOT (SUPERSEDED BY P/N 29S5D2010-1-2)	1	4.7
3	23S-2010-2-1	0820517-11	HORIZONTAL STABILIZER LH/RH DE-ICE BOOT (SUPERSEDED BY P/N 29S5D2010-2-1)	2	3.7

**FASTboot® DE-ICE BOOTS**

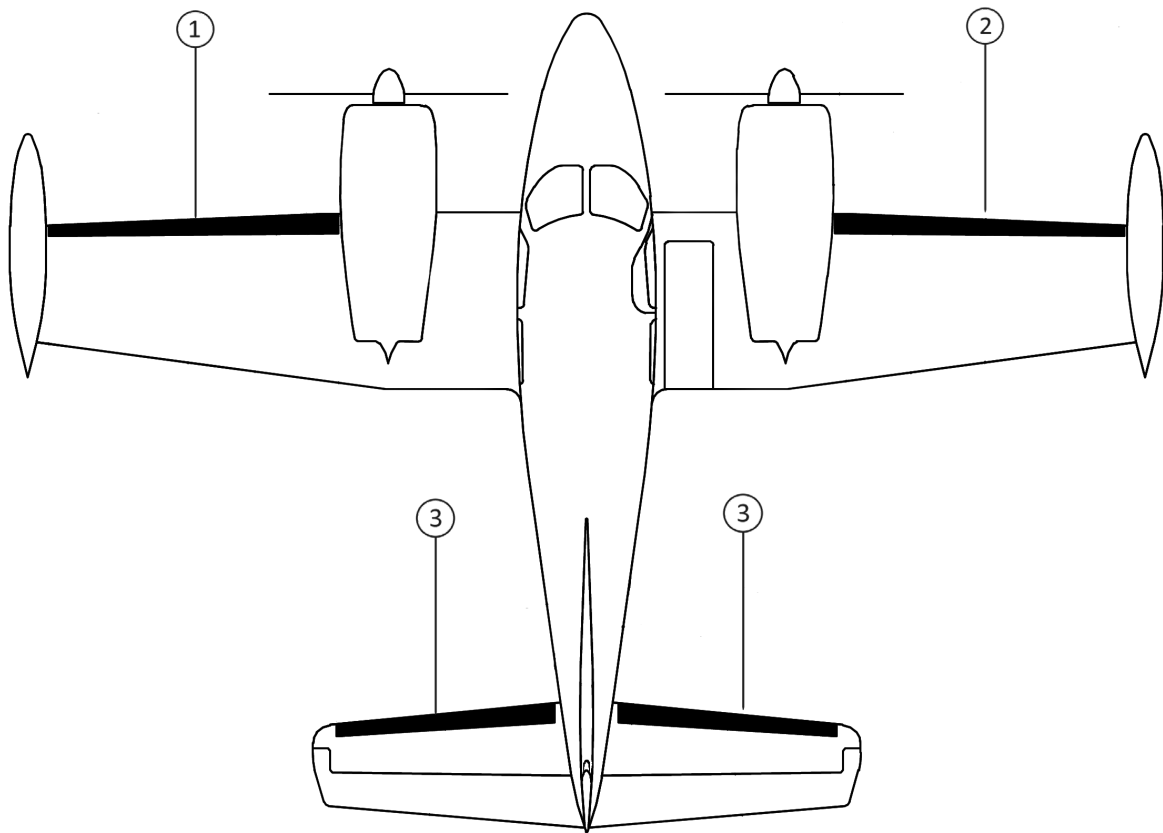
POSITION ID	GOODRICH PART NUMBER	AIRCRAFT OEM P/N	DESCRIPTION	QTY PER AIRCRAFT	WT
1	P29S5D2010-1-1		FASTBOOT® NACELLE-TIP LH TTS DE-ICE BOOT	1	4.3
2	P29S5D2010-1-2		FASTBOOT® NACELLE-TIP RH TTS DE-ICE BOOT	1	4.4
2	P29S5D2010-3-2*		FASTBOOT® NACELLE-TIP RH TTS DE-ICE BOOT	1	4.4
3	P29S5D2010-2-1		FASTBOOT® HORIZONTAL STABILIZER LH/RH TTS DE-ICE BOOT	2	3.6

TYPE 29 SEWN DE-ICER PROVIDES HIGHER DURABILITY THAN TYPE 23 TUBE TYPE DESIGN

\*P29S5D2010-3-2 HAS CUTOUT FOR LIFT TRANSDUCER

**CESSNA 310Q**

**CESSNA 310Q**



**CESSNA 310R UP TO R0800**
**STANDARD DE-ICE BOOTS**

POSITION ID	GOODRICH PART NUMBER	AIRCRAFT OEM P/N	DESCRIPTION	QTY PER AIRCRAFT	WT
1	29S5D2010-1-1		NACELLE-TIP LH TTS DE-ICE BOOT	1	4.3
2	29S5D2010-1-2		NACELLE-TIP RH TTS DE-ICE BOOT	1	4.4
2	29S5D2010-3-2*		NACELLE-TIP RH TTS DE-ICE BOOT	1	4.4
3	29S5D2010-2-1		HORIZONTAL STABILIZER LH/RH TTS DE-ICE BOOT	2	3.6

TYPE 29 SEWN DE-ICER PROVIDES HIGHER DURABILITY THAN TYPE 23 TUBE TYPE DESIGN

\*29S5D2010-3-2 HAS CUTOUT FOR LIFT TRANSDUCER

**SUPERSEDED STANDARD DE-ICE BOOTS**

POSITION ID	GOODRICH PART NUMBER	AIRCRAFT OEM P/N	DESCRIPTION	QTY PER AIRCRAFT	WT
1	23S-2010-1-1	0820517-9	NACELLE-TIP LH DE-ICE BOOT (SUPERSEDED BY P/N 29S5D2010-1-1)	1	4.6
2	23S-2010-1-2	0820517-10	NACELLE-TIP RH DE-ICE BOOT (SUPERSEDED BY P/N 29S5D2010-1-2)	1	4.7
3	23S-2010-2-1	0820517-11	HORIZONTAL STABILIZER LH/RH DE-ICE BOOT (SUPERSEDED BY P/N 29S5D2010-2-1)	2	3.7

**FASTboot® DE-ICE BOOTS**

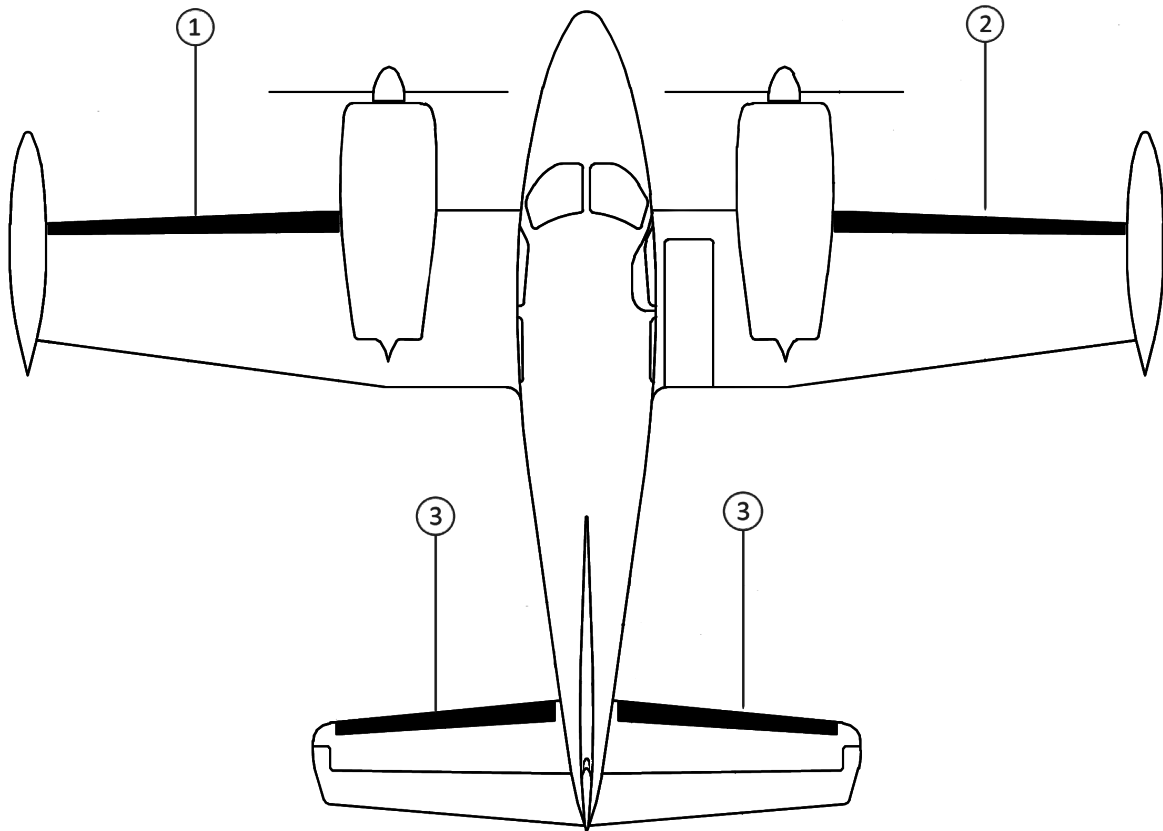
POSITION ID	GOODRICH PART NUMBER	AIRCRAFT OEM P/N	DESCRIPTION	QTY PER AIRCRAFT	WT
1	P29S5D2010-1-1		FASTBOOT® NACELLE-TIP LH TTS DE-ICE BOOT	1	4.3
2	P29S5D2010-1-2		FASTBOOT® NACELLE-TIP RH TTS DE-ICE BOOT	1	4.4
2	P29S5D2010-3-2*		FASTBOOT® NACELLE-TIP RH TTS DE-ICE BOOT	1	4.4
3	P29S5D2010-2-1		FASTBOOT® HORIZONTAL STABILIZER LH/RH TTS DE-ICE BOOT	2	3.6

TYPE 29 SEWN DE-ICER PROVIDES HIGHER DURABILITY THAN TYPE 23 TUBE TYPE DESIGN

\*P29S5D2010-3-2 HAS CUTOUT FOR LIFT TRANSDUCER

**CESSNA 310R UP TO R0800**

**CESSNA 310R UP TO R0800**



**CESSNA 310R R0801 & UP**
**STANDARD DE-ICE BOOTS**

POSITION ID	GOODRICH PART NUMBER	AIRCRAFT OEM P/N	DESCRIPTION	QTY PER AIRCRAFT	WT
1	27S-7D5070-29		FUSELAGE-NACELLE LH DE-ICE BOOT	1	0.9
2	27S-7D5070-30		FUSELAGE-NACELLE RH DE-ICE BOOT	1	0.9
3	27S-7D5070-03		NACELLE-TIP LH DE-ICE BOOT	1	3.3
4	27S-7D5070-04		NACELLE-TIP RH DE-ICE BOOT	1	3.3
5	27S-7D5070-11		HORIZONTAL STABILIZER LH/RH DE-ICE BOOT	2	2.2
6	27S-7D5070-13		VERTICAL STABILIZER DE-ICE BOOT	1	1.2

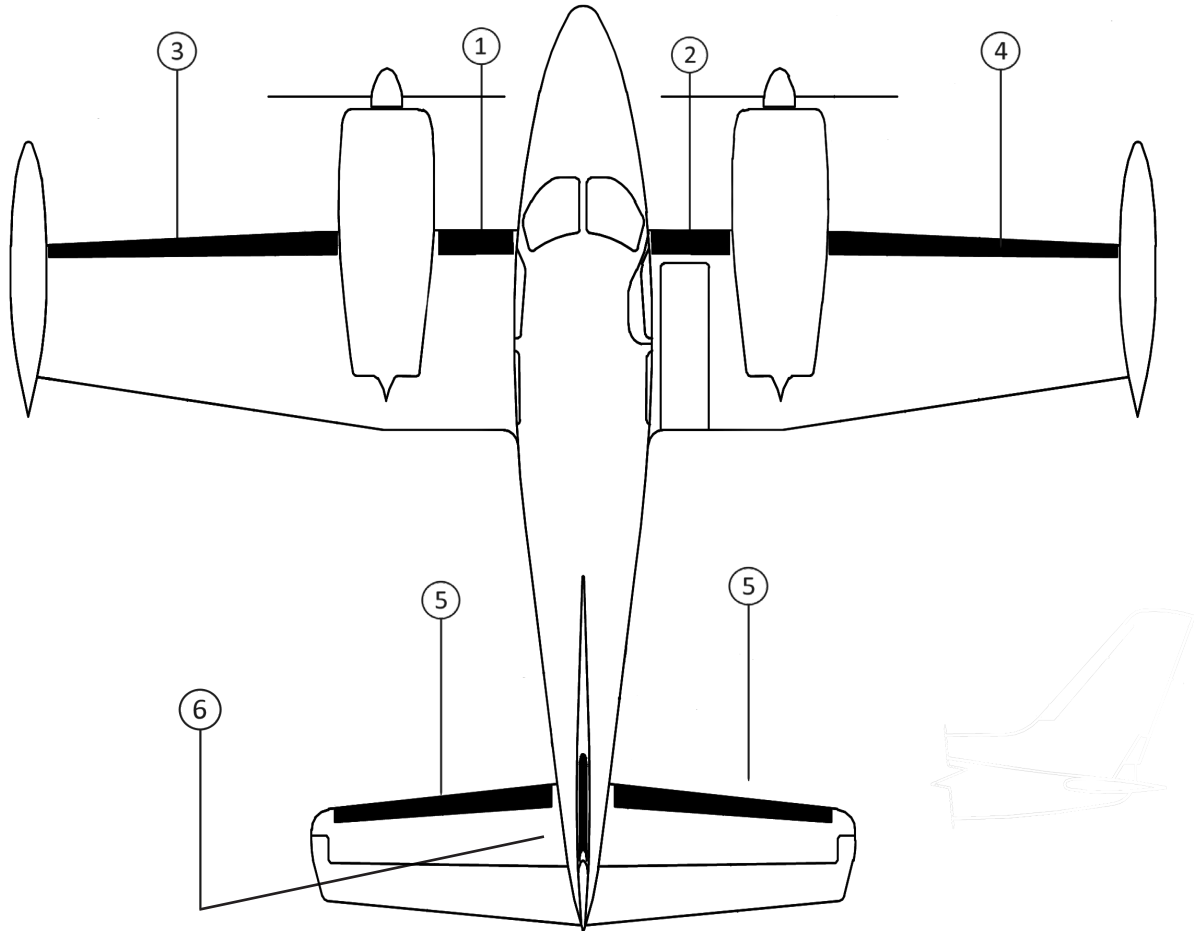
**FASTboot® DE-ICE BOOTS**

POSITION ID	GOODRICH PART NUMBER	AIRCRAFT OEM P/N	DESCRIPTION	QTY PER AIRCRAFT	WT
1	P27S-7D5070-29		FASTBOOT® FUSELAGE-NACELLE LH DE-ICE BOOT	1	0.9
2	P27S-7D5070-30		FASTBOOT® FUSELAGE-NACELLE RH DE-ICE BOOT	1	0.9
3	P27S-7D5070-03		FASTBOOT® NACELLE-TIP LH DE-ICE BOOT	1	3.3
4	P27S-7D5070-04		FASTBOOT® NACELLE-TIP RH DE-ICE BOOT	1	3.3
5	P27S-7D5070-11		FASTBOOT® HORIZONTAL STABILIZER LH/RH DE-ICE BOOT	2	2.2
6	P27S-7D5070-13		FASTBOOT® VERTICAL STABILIZER DE-ICE BOOT	1	1.2

**CESSNA 310R R0801 & UP**

**CESSNA 310R R0801 & UP**

**CESSNA 310R R0801 & UP**





**GOODRICH FASTBOOT® PNEUMATIC DE-ICERS**

# PROVEN PERFORMANCE

Over 20 years experience  
manufacturing and installing Pressure  
Sensitive Adhesive (PSA) de-icers

Collins Aerospace manufactures Goodrich pneumatic de-icing boots with our patented FASTboot adhesive system, which saves you time and improves aircraft readiness.

Goodrich FASTboot pneumatic de-icers take the guess work out of de-icer installation. The pre-applied adhesive provides a smooth and consistent de-icer bond at a fraction of the time needed for application of standard de-icers. Simply add the primer to the clean leading-edge surface and allow a five-minute dry time. Following the approved installation procedure, peel and stick the pneumatic de-icer to the leading edge of your aircraft.

**KEY BENEFITS/FEATURES**

- Reduces installation time
- FASTboot de-icers can be flown immediately
- De-icers can be inflated two hours after installation
- Reduces hazardous waste through pre-applied adhesive
- Initial installation guarantee

[collinsaerospace.com/deicing](http://collinsaerospace.com/deicing)

**CESSNA 320 (SKYNIIGHT)**
**STANDARD DE-ICE BOOTS**

POSITION ID	GOODRICH PART NUMBER	AIRCRAFT OEM P/N	DESCRIPTION	QTY PER AIRCRAFT	WT
1	23S-2010-6-1		NACELLE-TIP LH DE-ICE BOOT	1	4.6
2	23S-2010-6-2		NACELLE-TIP RH DE-ICE BOOT	1	4.7
3	29S5D2010-2-1		HORIZONTAL STABILIZER LH/RH TTS DE-ICE BOOT	2	3.6

TYPE 29 SEWN DE-ICER PROVIDES HIGHER DURABILITY THAN TYPE 23 TUBE TYPE DESIGN

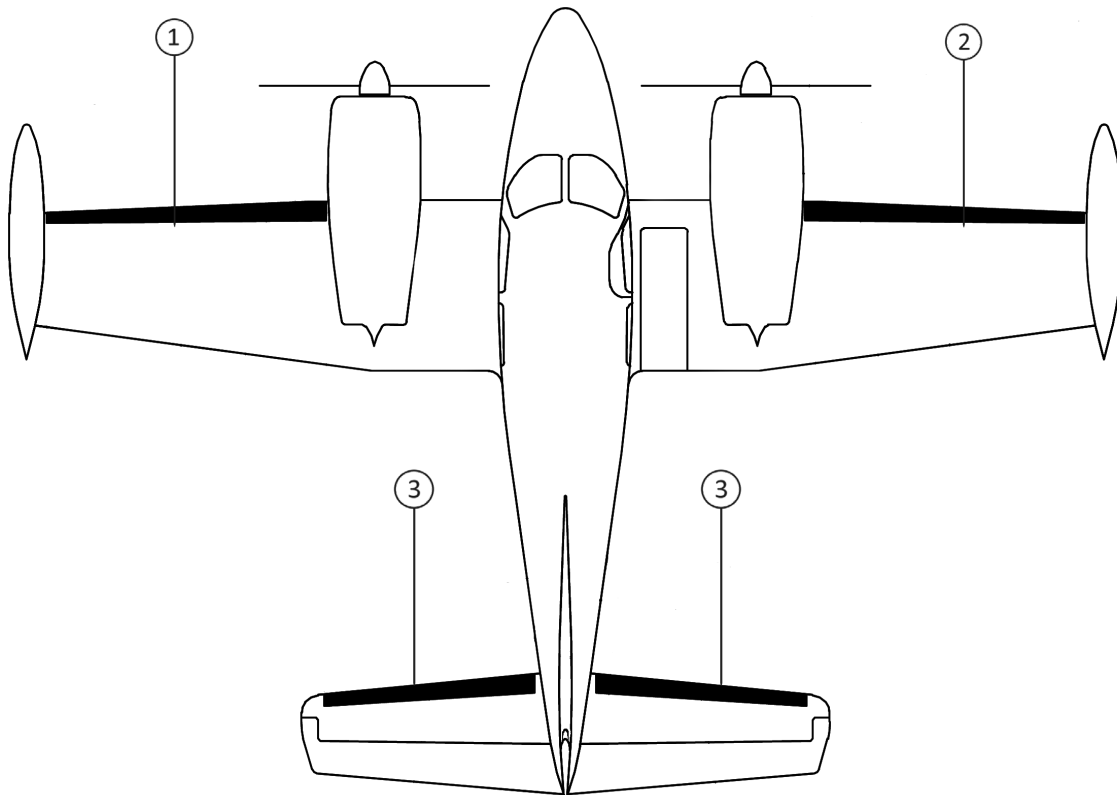
**SUPERSEDED STANDARD DE-ICE BOOTS**

POSITION ID	GOODRICH PART NUMBER	AIRCRAFT OEM P/N	DESCRIPTION	QTY PER AIRCRAFT	WT
3	23S-2010-2-1		HORIZONTAL STABILIZER LH/RH DE-ICE BOOT (SUPERSEDED BY P/N 29S5D2010-2-1)	1	3.7

**FASTboot® DE-ICE BOOTS**

POSITION ID	GOODRICH PART NUMBER	AIRCRAFT OEM P/N	DESCRIPTION	QTY PER AIRCRAFT	WT
3	P29S5D2010-2-1		FASTBOOT® HORIZONTAL STABILIZER LH/RH DE-ICE BOOT	2	3.6

TYPE 29 SEWN DE-ICER PROVIDES HIGHER DURABILITY THAN TYPE 23 TUBE TYPE DESIGN


**CESSNA 320 (SKYNIIGHT)**

**CESSNA 320A (SKYNIIGHT)**
**CESSNA 320A (SKYNIIGHT)**
**STANDARD DE-ICE BOOTS**

POSITION ID	GOODRICH PART NUMBER	AIRCRAFT OEM P/N	DESCRIPTION	QTY PER AIRCRAFT	WT
1	23S-2010-6-1		NACELLE-TIP LH DE-ICE BOOT	1	4.6
2	23S-2010-6-2		NACELLE-TIP RH DE-ICE BOOT	1	4.7
3	29S5D2010-2-1		HORIZONTAL STABILIZER LH/RH TTS DE-ICE BOOT	2	3.6

TYPE 29 SEWN DE-ICER PROVIDES HIGHER DURABILITY THAN TYPE 23 TUBE TYPE DESIGN

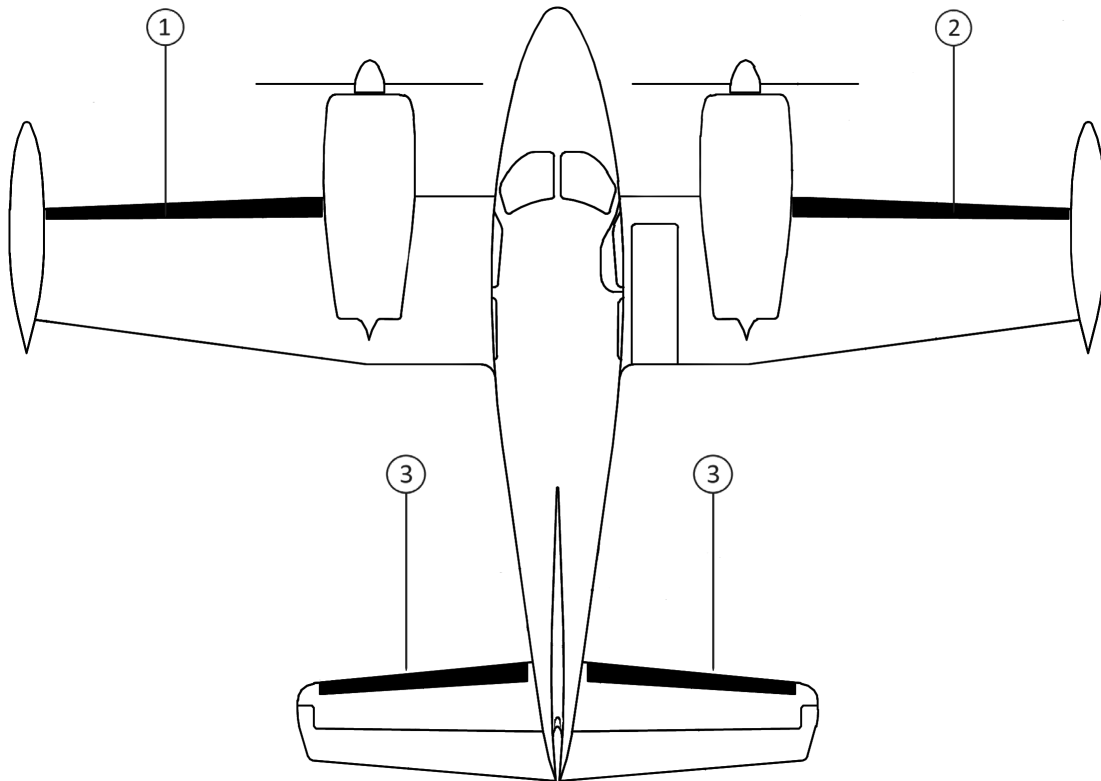
**SUPERSEDED STANDARD DE-ICE BOOTS**

POSITION ID	GOODRICH PART NUMBER	AIRCRAFT OEM P/N	DESCRIPTION	QTY PER AIRCRAFT	WT
3	23S-2010-2-1		HORIZONTAL STABILIZER LH/RH DE-ICE BOOT (SUPERSEDED BY P/N 29S5D2010-2-1)	1	3.7

**FASTboot® DE-ICE BOOTS**

POSITION ID	GOODRICH PART NUMBER	AIRCRAFT OEM P/N	DESCRIPTION	QTY PER AIRCRAFT	WT
3	P29S5D2010-2-1		FASTBOOT® HORIZONTAL STABILIZER LH/RH TTS DE-ICE BOOT	2	3.6

TYPE 29 SEWN DE-ICER PROVIDES HIGHER DURABILITY THAN TYPE 23 TUBE TYPE DESIGN



**CESSNA 320B (SKYNIIGHT)**
**STANDARD DE-ICE BOOTS**

POSITION ID	GOODRICH PART NUMBER	AIRCRAFT OEM P/N	DESCRIPTION	QTY PER AIRCRAFT	WT
1	23S-2010-6-1		NACELLE-TIP LH DE-ICE BOOT	1	4.6
2	23S-2010-6-2		NACELLE-TIP RH DE-ICE BOOT	1	4.7
3	29S5D2010-2-1		HORIZONTAL STABILIZER LH/RH TTS DE-ICE BOOT	2	3.6

TYPE 29 SEWN DE-ICER PROVIDES HIGHER DURABILITY THAN TYPE 23 TUBE TYPE DESIGN

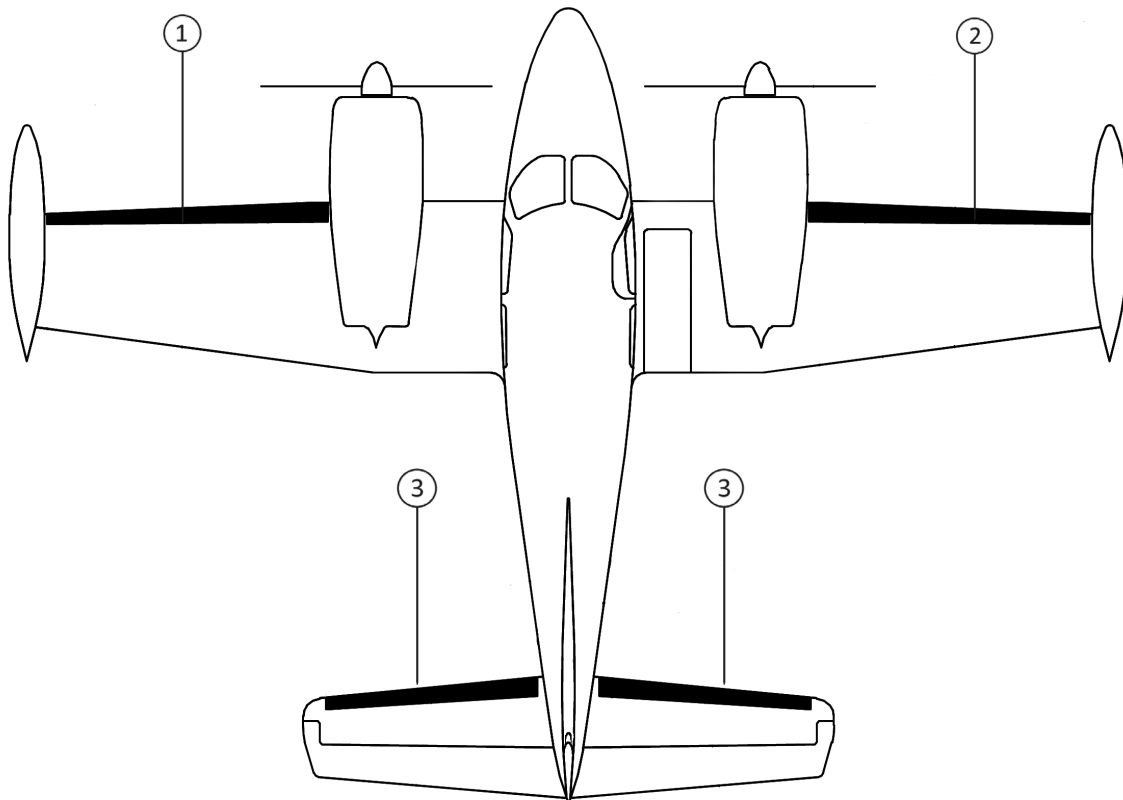
**SUPERSEDED STANDARD DE-ICE BOOTS**

POSITION ID	GOODRICH PART NUMBER	AIRCRAFT OEM P/N	DESCRIPTION	QTY PER AIRCRAFT	WT
3	23S-2010-2-1		HORIZONTAL STABILIZER LH/RH DE-ICE BOOT (SUPERSEDED BY P/N 29S5D2010-2-1)	1	3.7

**FASTboot® DE-ICE BOOTS**

POSITION ID	GOODRICH PART NUMBER	AIRCRAFT OEM P/N	DESCRIPTION	QTY PER AIRCRAFT	WT
3	P29S5D2010-2-1		FASTBOOT® HORIZONTAL STABILIZER LH/RH TTS DE-ICE BOOT	2	3.6

TYPE 29 SEWN DE-ICER PROVIDES HIGHER DURABILITY THAN TYPE 23 TUBE TYPE DESIGN


**CESSNA 320B (SKYNIIGHT)**

**CESSNA 320C (SKYNIIGHT)**
**CESSNA 320C (SKYNIIGHT)**
**STANDARD DE-ICE BOOTS**

POSITION ID	GOODRICH PART NUMBER	AIRCRAFT OEM P/N	DESCRIPTION	QTY PER AIRCRAFT	WT
1	23S-2010-6-1		NACELLE-TIP LH DE-ICE BOOT	1	4.6
2	23S-2010-6-2		NACELLE-TIP RH DE-ICE BOOT	1	4.7
3	29S5D2010-2-1		HORIZONTAL STABILIZER LH/RH TTS DE-ICE BOOT	2	3.6

TYPE 29 SEWN DE-ICER PROVIDES HIGHER DURABILITY THAN TYPE 23 TUBE TYPE DESIGN

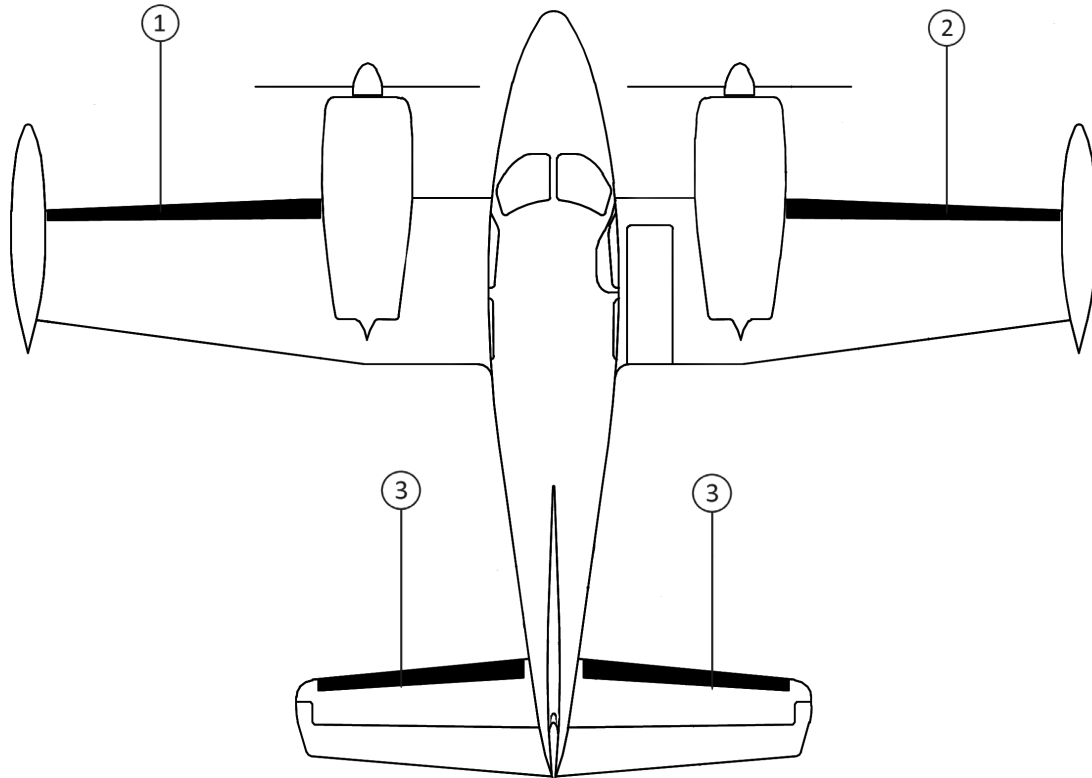
**SUPERSEDED STANDARD DE-ICE BOOTS**

POSITION ID	GOODRICH PART NUMBER	AIRCRAFT OEM P/N	DESCRIPTION	QTY PER AIRCRAFT	WT
3	23S-2010-2-1		HORIZONTAL STABILIZER LH/RH DE-ICE BOOT (SUPERSEDED BY P/N 29S5D2010-2-1)	1	3.7

**FASTboot® DE-ICE BOOTS**

POSITION ID	GOODRICH PART NUMBER	AIRCRAFT OEM P/N	DESCRIPTION	QTY PER AIRCRAFT	WT
3	P29S5D2010-2-1		FASTBOOT® HORIZONTAL STABILIZER LH/RH TTS DE-ICE BOOT	2	3.6

TYPE 29 SEWN DE-ICER PROVIDES HIGHER DURABILITY THAN TYPE 23 TUBE TYPE DESIGN



**CESSNA 320D (EXECUTIVE SKYNIIGHT)**
**STANDARD DE-ICE BOOTS**

POSITION ID	GOODRICH PART NUMBER	AIRCRAFT OEM P/N	DESCRIPTION	QTY PER AIRCRAFT	WT
1	23S-2010-6-1		NACELLE-TIP LH DE-ICE BOOT	1	4.6
2	23S-2010-6-2		NACELLE-TIP RH DE-ICE BOOT	1	4.7
3	29S5D2010-2-1		HORIZONTAL STABILIZER LH/RH TTS DE-ICE BOOT	2	3.6

TYPE 29 SEWN DE-ICER PROVIDES HIGHER DURABILITY THAN TYPE 23 TUBE TYPE DESIGN

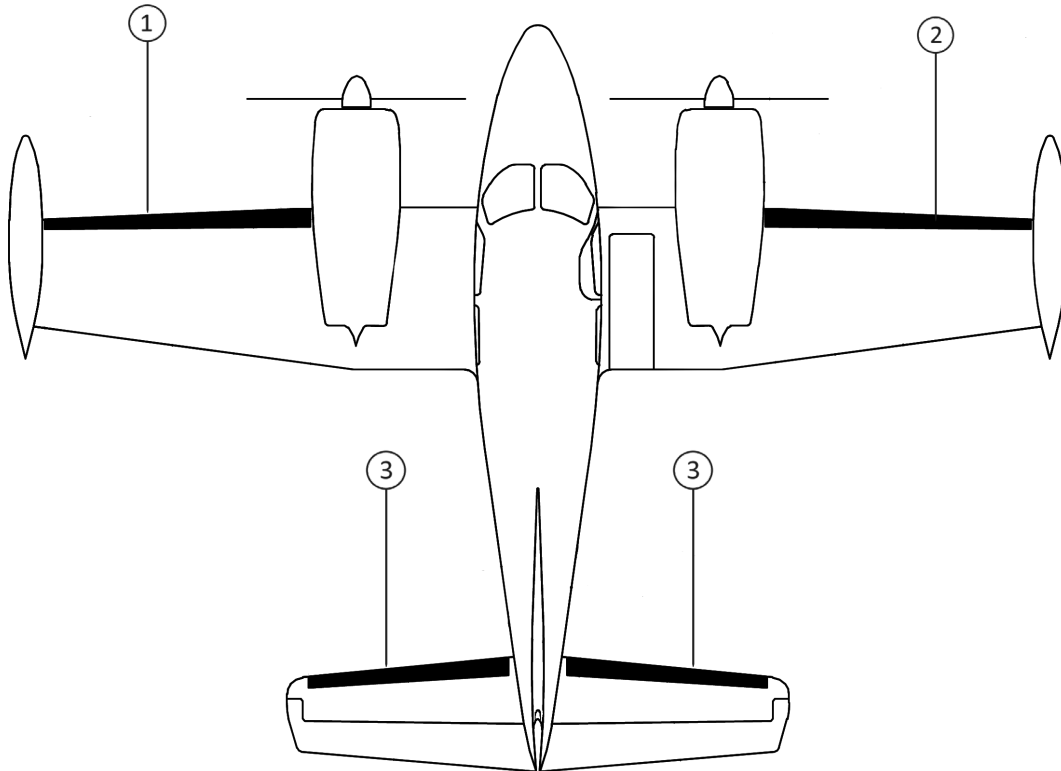
**SUPERSEDED STANDARD DE-ICE BOOTS**

POSITION ID	GOODRICH PART NUMBER	AIRCRAFT OEM P/N	DESCRIPTION	QTY PER AIRCRAFT	WT
3	23S-2010-2-1		HORIZONTAL STABILIZER LH/RH DE-ICE BOOT (SUPERSEDED BY P/N 29S5D2010-2-1)	1	3.7

**FASTboot® DE-ICE BOOTS**

POSITION ID	GOODRICH PART NUMBER	AIRCRAFT OEM P/N	DESCRIPTION	QTY PER AIRCRAFT	WT
3	P29S5D2010-2-1		FASTBOOT® HORIZONTAL STABILIZER LH/RH TTS DE-ICE BOOT	2	3.6

TYPE 29 SEWN DE-ICER PROVIDES HIGHER DURABILITY THAN TYPE 23 TUBE TYPE DESIGN



**CESSNA 320E (EXECUTIVE SKYNIIGHT)**
**STANDARD DE-ICE BOOTS**

POSITION ID	GOODRICH PART NUMBER	AIRCRAFT OEM P/N	DESCRIPTION	QTY PER AIRCRAFT	WT
1	23S-2010-6-1		NACELLE-TIP LH DE-ICE BOOT	1	4.6
2	23S-2010-6-2		NACELLE-TIP RH DE-ICE BOOT	1	4.7
3	29S5D2010-2-1		HORIZONTAL STABILIZER LH/RH TTS DE-ICE BOOT	2	3.6

TYPE 29 SEWN DE-ICER PROVIDES HIGHER DURABILITY THAN TYPE 23 TUBE TYPE DESIGN

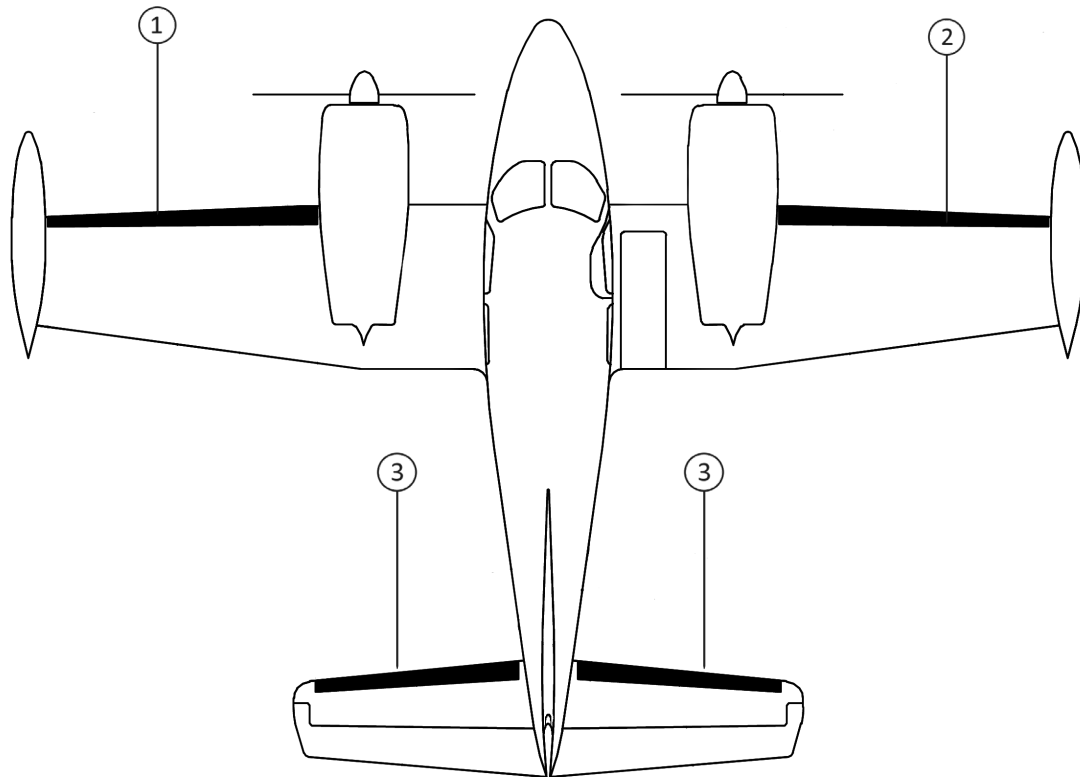
**SUPERSEDED STANDARD DE-ICE BOOTS**

POSITION ID	GOODRICH PART NUMBER	AIRCRAFT OEM P/N	DESCRIPTION	QTY PER AIRCRAFT	WT
3	23S-2010-2-1		HORIZONTAL STABILIZER LH/RH DE-ICE BOOT (SUPERSEDED BY P/N 29S5D2010-2-1)	1	3.7

**FASTboot® DE-ICE BOOTS**

POSITION ID	GOODRICH PART NUMBER	AIRCRAFT OEM P/N	DESCRIPTION	QTY PER AIRCRAFT	WT
3	P29S5D2010-2-1		FASTBOOT® HORIZONTAL STABILIZER LH/RH TTS DE-ICE BOOT	2	3.6

TYPE 29 SEWN DE-ICER PROVIDES HIGHER DURABILITY THAN TYPE 23 TUBE TYPE DESIGN


**CESSNA 320E (EXECUTIVE SKYNIIGHT)**

**CESSNA 320F (EXECUTIVE SKYNIIGHT)**
**STANDARD DE-ICE BOOTS**

POSITION ID	GOODRICH PART NUMBER	AIRCRAFT OEM P/N	DESCRIPTION	QTY PER AIRCRAFT	WT
1	23S-2010-6-1		NACELLE-TIP LH DE-ICE BOOT	1	4.6
2	23S-2010-6-2		NACELLE-TIP RH DE-ICE BOOT	1	4.7
3	29S5D2010-2-1		HORIZONTAL STABILIZER LH/RH TTS DE-ICE BOOT	2	3.6

TYPE 29 SEWN DE-ICER PROVIDES HIGHER DURABILITY THAN TYPE 23 TUBE TYPE DESIGN

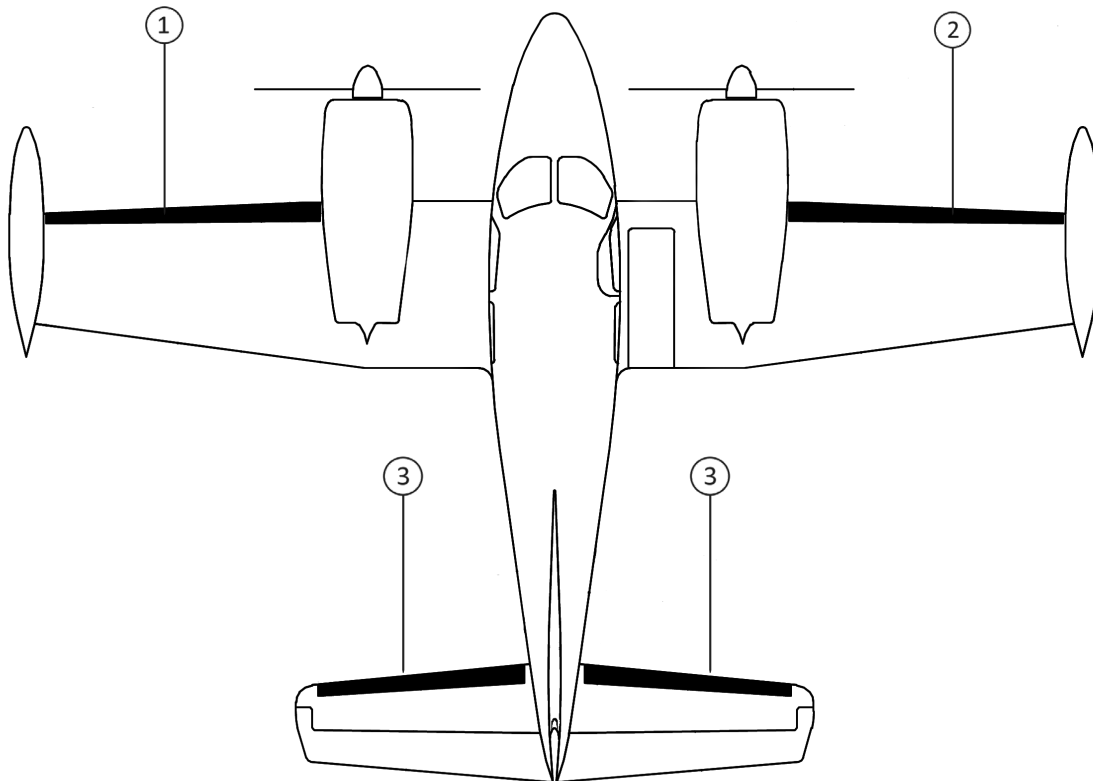
**SUPERSEDED STANDARD DE-ICE BOOTS**

POSITION ID	GOODRICH PART NUMBER	AIRCRAFT OEM P/N	DESCRIPTION	QTY PER AIRCRAFT	WT
3	23S-2010-2-1		HORIZONTAL STABILIZER LH/RH DE-ICE BOOT (SUPERSEDED BY P/N 29S5D2010-2-1)	1	3.7

**FASTboot® DE-ICE BOOTS**

POSITION ID	GOODRICH PART NUMBER	AIRCRAFT OEM P/N	DESCRIPTION	QTY PER AIRCRAFT	WT
3	P29S5D2010-2-1		FASTBOOT® HORIZONTAL STABILIZER LH/RH TTS DE-ICE BOOT	2	3.6

TYPE 29 SEWN DE-ICER PROVIDES HIGHER DURABILITY THAN TYPE 23 TUBE TYPE DESIGN





## De-ice boot care products



Aerospace Protectant™ (32 fl. oz.) P/N 74-451-237-32

### Goodrich® Aerospace Protectant™

- Approved for use on all Goodrich de-icers
- Near 100 percent prevention of UV-caused slow fade
- Resistance to dust, soiling and staining
- Water-based formula is environmentally friendly
- Apply as needed – no surface stripping required



Aerospace Cleaner™ (32 fl. oz.) P/N 74-451-238-32

### Goodrich® Aerospace Cleaner™

- Approved for use on all Goodrich de-icers
- Can be used on all water-safe materials
- Water-based formula is environmentally friendly
- Apply as needed – no surface stripping required
- Great for removing dirt, grime and bugs

**DE-ICER PATCHES  
AND PIN HOLE KITS  
ALSO AVAILABLE**



AgeMaster® #1 P/N 74-451-127

### AgeMaster® #1

- Rubber preservative that protects against weathering, ozone and ultraviolet rays
- Apply six months after new de-icer is installed
- Reapply every 150 flight hours (twice yearly)
- One quart covers approximately 90 sq. ft. (8.3 sq. m.)



ICEX®II - 6oz  
ICEX®II - Pump  
ICEX®II - Quart

### ICEX®II

- Ice adhesion inhibitor that enhances de-icer performance
- Apply every 50 flight hours during icing season
- One quart covers approximately 400 sq. ft. (37 sq. m)



ShineMaster™ Prep P/N 74-451-179  
ShineMaster™ P/N 74-451-178

### ShineMaster™

- Cosmetic coating that provides a high-luster shine
- Clean de-icer with ShineMaster Prep before applying 2-3 light coats
- One pint covers approximately 200 sq. ft. (18.6 sq. m)
- Reapply as desired

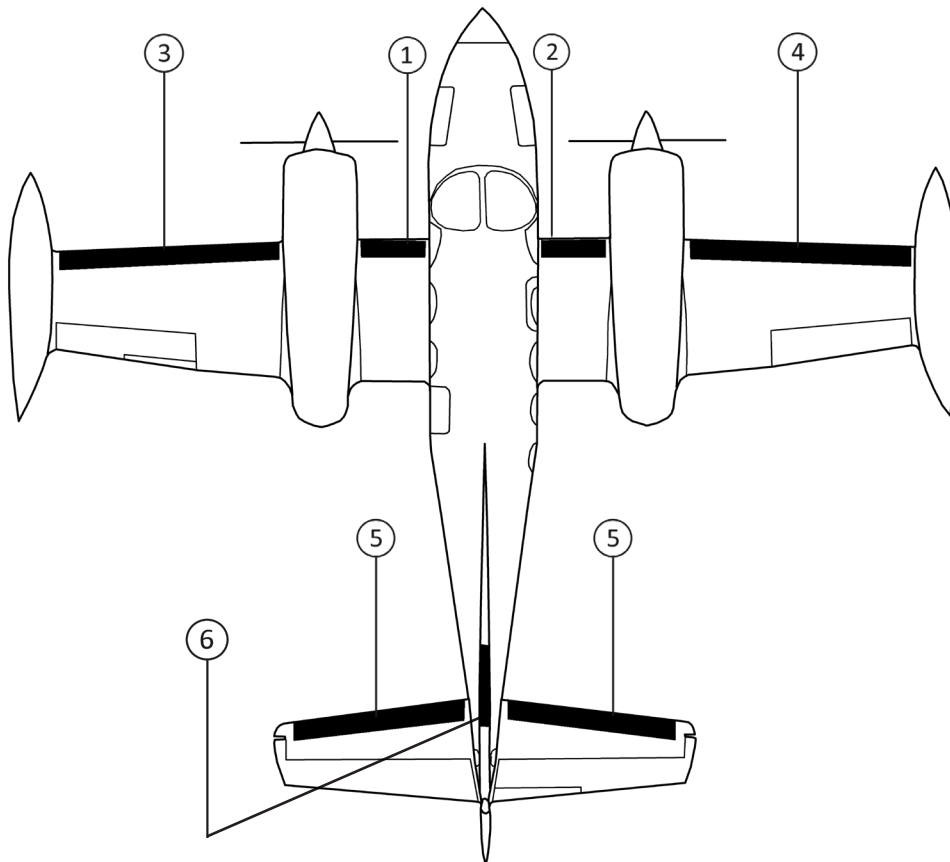
Specifications subject to change without notice.

**CESSNA 335**
**CESSNA 335**
**STANDARD DE-ICE BOOTS**

POSITION ID	GOODRICH PART NUMBER	AIRCRAFT OEM P/N	DESCRIPTION	QTY PER AIRCRAFT	WT
1	27S-7D5070-51		FUSELAGE-NACELLE LH DE-ICE BOOT	1	1.1
2	27S-7D5070-52		FUSELAGE-NACELLE RH DE-ICE BOOT	1	1.1
3	27S-7D5070-03		NACELLE-TIP LH DE-ICE BOOT	1	3.3
4	27S-7D5070-04		NACELLE-TIP RH DE-ICE BOOT	1	3.3
5	27S-7D5070-11		HORIZONTAL STABILIZER LH/RH DE-ICE BOOT	2	2.2
6	27S-7D5070-13		VERTICAL STABILIZER DE-ICE BOOT	1	1.2

**FASTboot® DE-ICE BOOTS**

POSITION ID	GOODRICH PART NUMBER	AIRCRAFT OEM P/N	DESCRIPTION	QTY PER AIRCRAFT	WT
1	P27S-7D5070-51		FASTBOOT® FUSELAGE-NACELLE LH DE-ICE BOOT	1	1.1
2	P27S-7D5070-52		FASTBOOT® FUSELAGE-NACELLE RH DE-ICE BOOT	1	1.1
3	P27S-7D5070-03		FASTBOOT® NACELLE-TIP LH DE-ICE BOOT	1	3.3
4	P27S-7D5070-04		FASTBOOT® NACELLE-TIP RH DE-ICE BOOT	1	3.3
5	P27S-7D5070-11		FASTBOOT® HORIZONTAL STABILIZER LH/RH DE-ICE BOOT	2	2.2
6	P27S-7D5070-13		FASTBOOT® VERTICAL STABILIZER DE-ICE BOOT	1	1.2

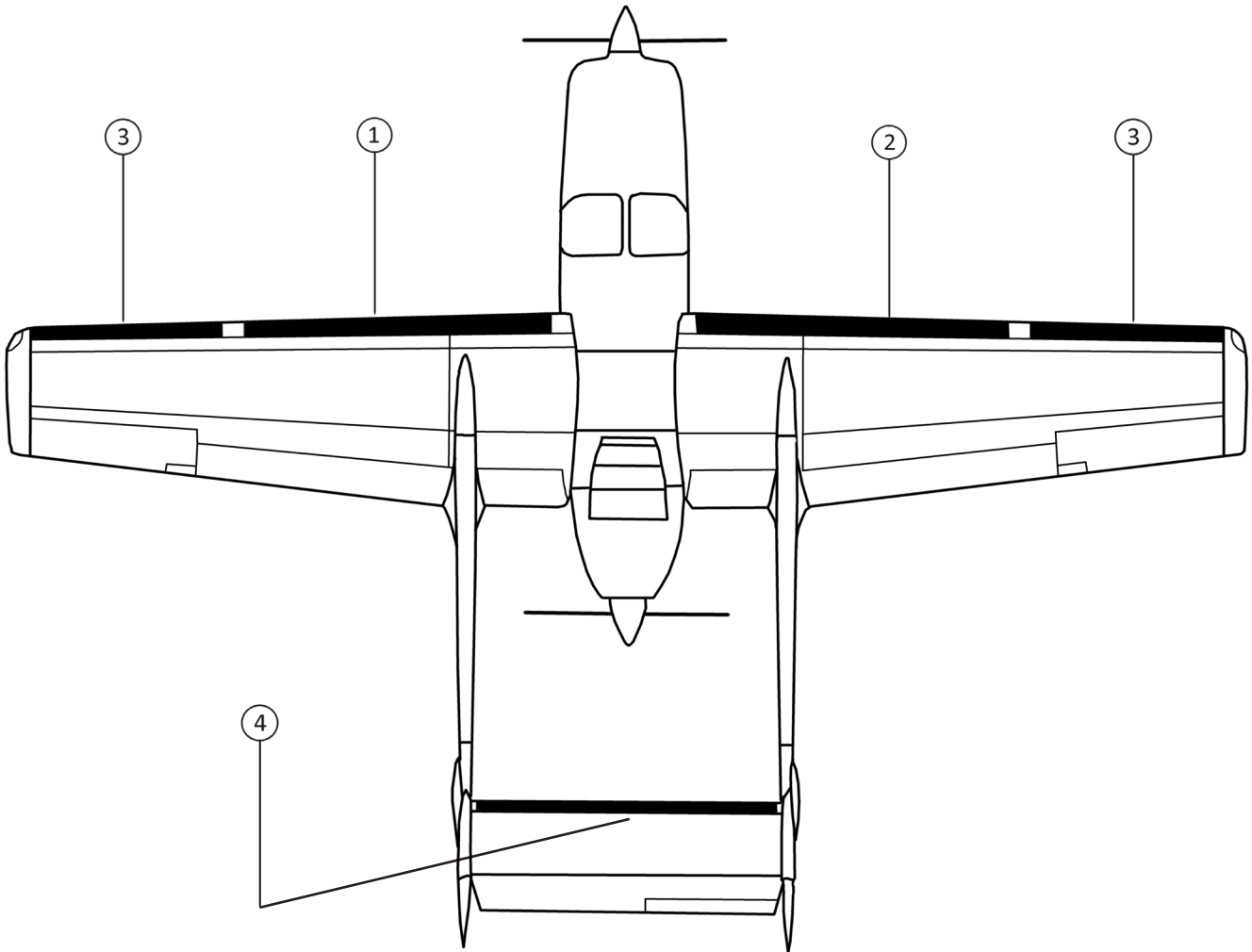


**CESSNA 336 (SKYMASTER)**

**STANDARD DE-ICE BOOTS**

POSITION ID	GOODRICH PART NUMBER	AIRCRAFT OEM P/N	DESCRIPTION	QTY PER AIRCRAFT	WT
1	23S-2054-1-1		FUSELAGE-LIGHT LH DE-ICE BOOT	1	5.5
2	23S-2054-1-2		FUSELAGE-LIGHT RH DE-ICE BOOT	1	5.6
3	23S-2054-2-1		LIGHT-TIP LH/RH DE-ICE BOOT	2	4.1
4	23S-2054-3-1		HORIZONTAL STABILIZER DE-ICE BOOT	1	4.9

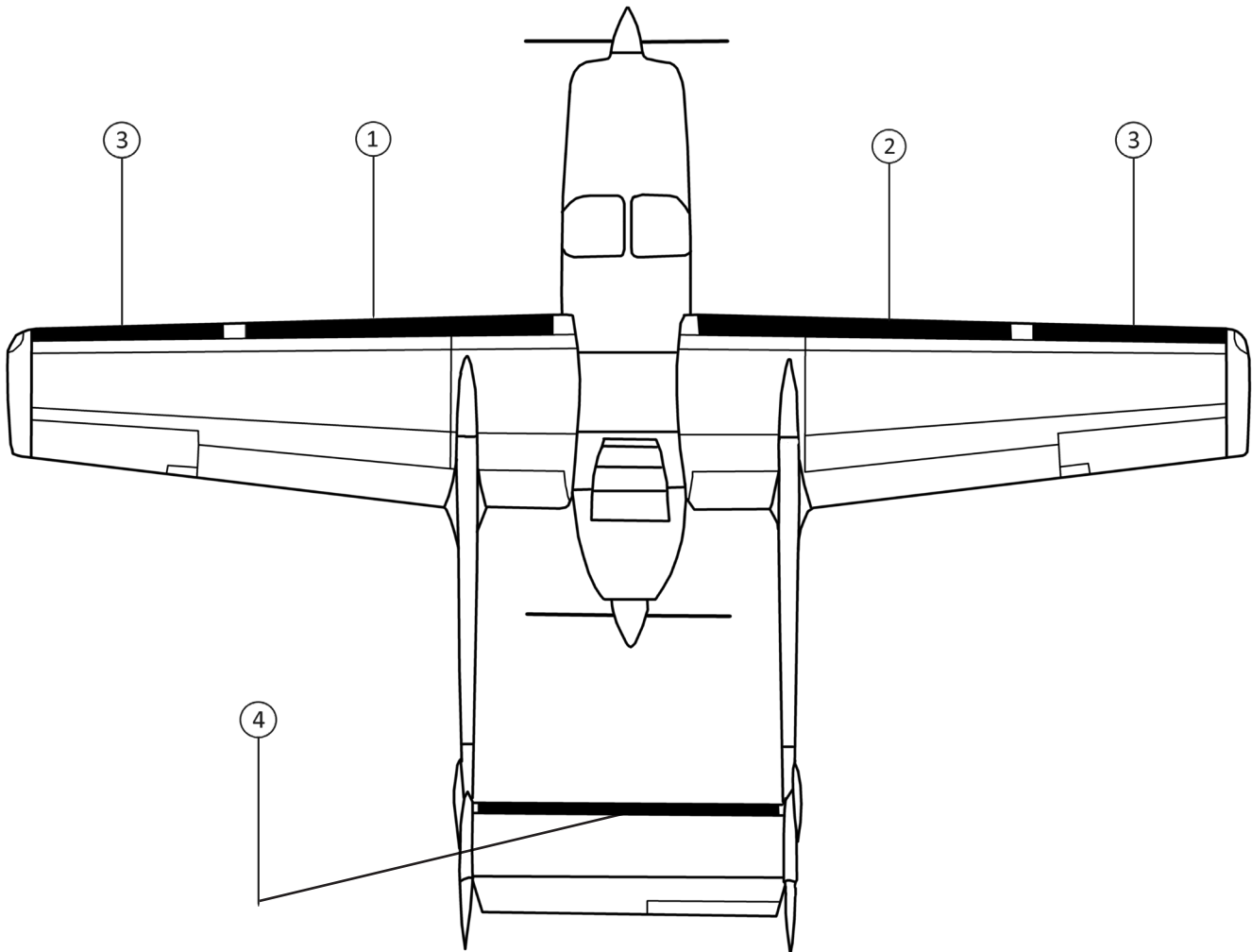
CESSNA 336 (SKYMASTER)



**CESSNA 337 (SUPER SKYMASTER)**

**STANDARD DE-ICE BOOTS**

POSITION ID	GOODRICH PART NUMBER	AIRCRAFT OEM P/N	DESCRIPTION	QTY PER AIRCRAFT	WT
1	23S-2054-1-1		FUSELAGE-LIGHT LH DE-ICE BOOT	1	5.5
2	23S-2054-1-2		FUSELAGE-LIGHT RH DE-ICE BOOT	1	5.6
3	23S-2054-2-1		LIGHT-TIP LH/RH DE-ICE BOOT	2	4.1
4	23S-2054-3-1		HORIZONTAL STABILIZER DE-ICE BOOT	1	4.9



**CESSNA 337 (SUPER SKYMASTER)**

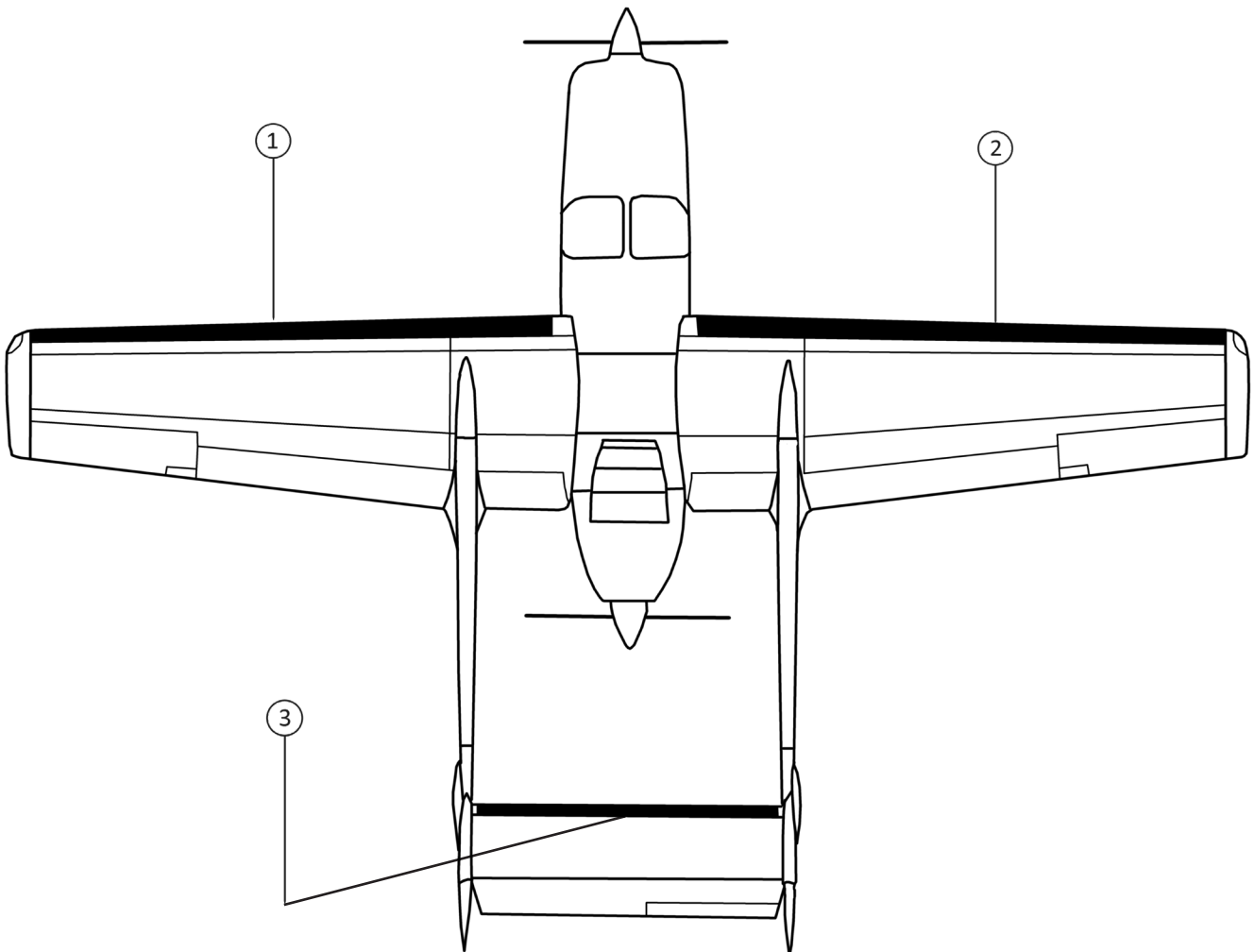
**CESSNA 337F/G/H (SUPER SKYMASTER) S/N UP TO P33701763**

**STANDARD DE-ICE BOOTS**

POSITION ID	GOODRICH PART NUMBER	AIRCRAFT OEM P/N	DESCRIPTION	QTY PER AIRCRAFT	WT
1	25S-5D5053-01		FUSELAGE-TIP LH DE-ICE BOOT	1	7.1
2	25S-5D5053-02		FUSELAGE-TIP RH DE-ICE BOOT	1	7.1
3	25S-5D5053-03		HORIZONTAL STABILIZER DE-ICE BOOT	1	2.8

**FASTboot® DE-ICE BOOTS**

POSITION ID	GOODRICH PART NUMBER	AIRCRAFT OEM P/N	DESCRIPTION	QTY PER AIRCRAFT	WT
1	P25S-5D5053-01		FASTBOOT® FUSELAGE-TIP LH DE-ICE BOOT	1	7.1
2	P25S-5D5053-02		FASTBOOT® FUSELAGE-TIP RH DE-ICE BOOT	1	7.1
3	P25S-5D5053-03		FASTBOOT® HORIZONTAL STABILIZER DE-ICE BOOT	1	2.8



CESSNA 337F/G/H (SUPER SKYMASTER) S/N UP TO P33701763

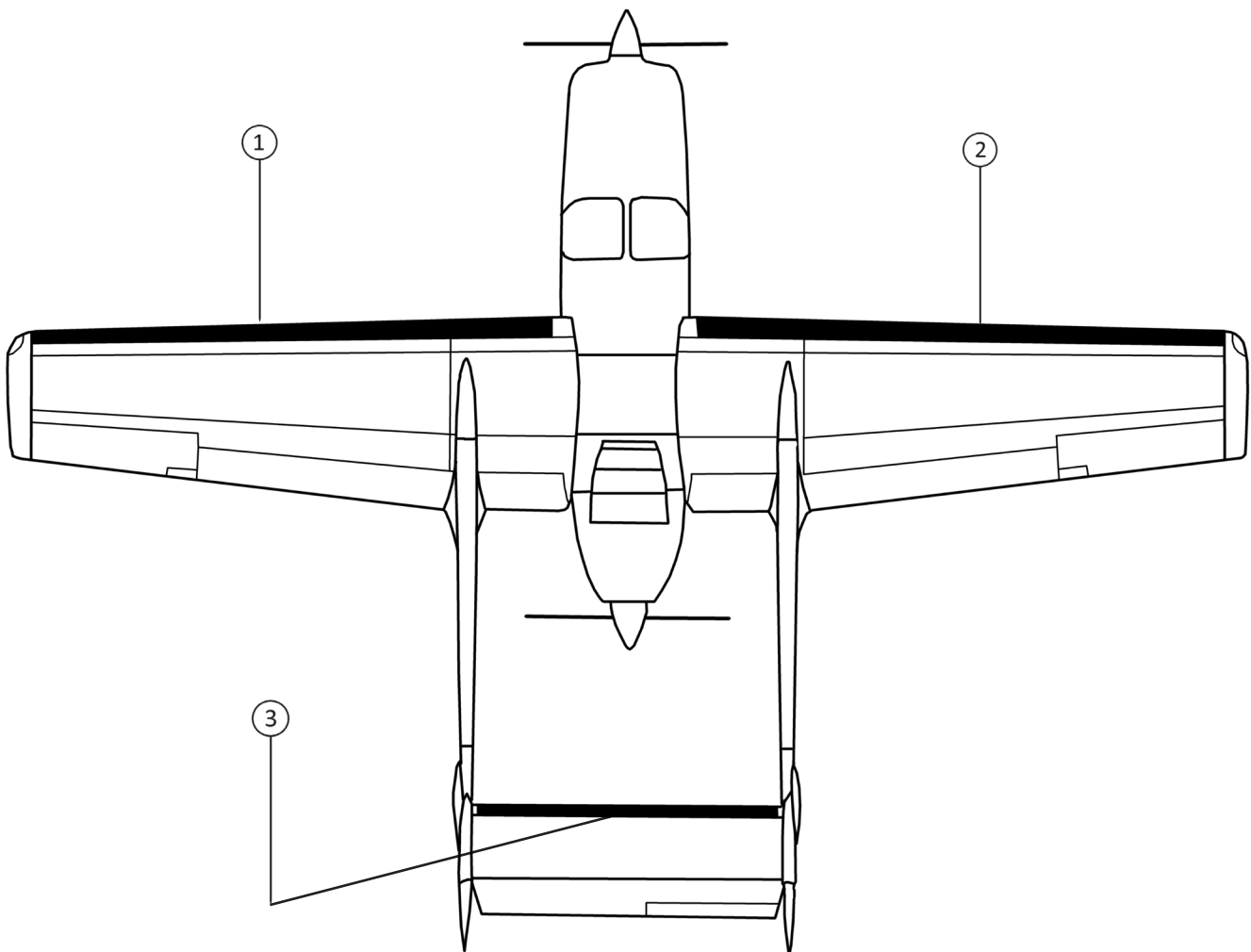
**CESSNA 337F/G/H (SUPER SKYMASTER) S/N P33701764 UP**

**STANDARD DE-ICE BOOTS**

POSITION ID	GOODRICH PART NUMBER	AIRCRAFT OEM P/N	DESCRIPTION	QTY PER AIRCRAFT	WT
1	25S-5D5053-05		FUSELAGE-TIP LH DE-ICE BOOT	1	7.1
2	25S-5D5053-02		FUSELAGE-TIP RH DE-ICE BOOT	1	7.1
3	25S-5D5053-03		HORIZONTAL STABILIZER DE-ICE BOOT	1	2.8

**FASTboot® DE-ICE BOOTS**

POSITION ID	GOODRICH PART NUMBER	AIRCRAFT OEM P/N	DESCRIPTION	QTY PER AIRCRAFT	WT
1	P25S-5D5053-05		FASTBOOT® FUSELAGE-TIP LH DE-ICE BOOT	1	7.1
2	P25S-5D5053-02		FASTBOOT® FUSELAGE-TIP RH DE-ICE BOOT	1	7.1
3	P25S-5D5053-03		FASTBOOT® HORIZONTAL STABILIZER DE-ICE BOOT	1	2.8



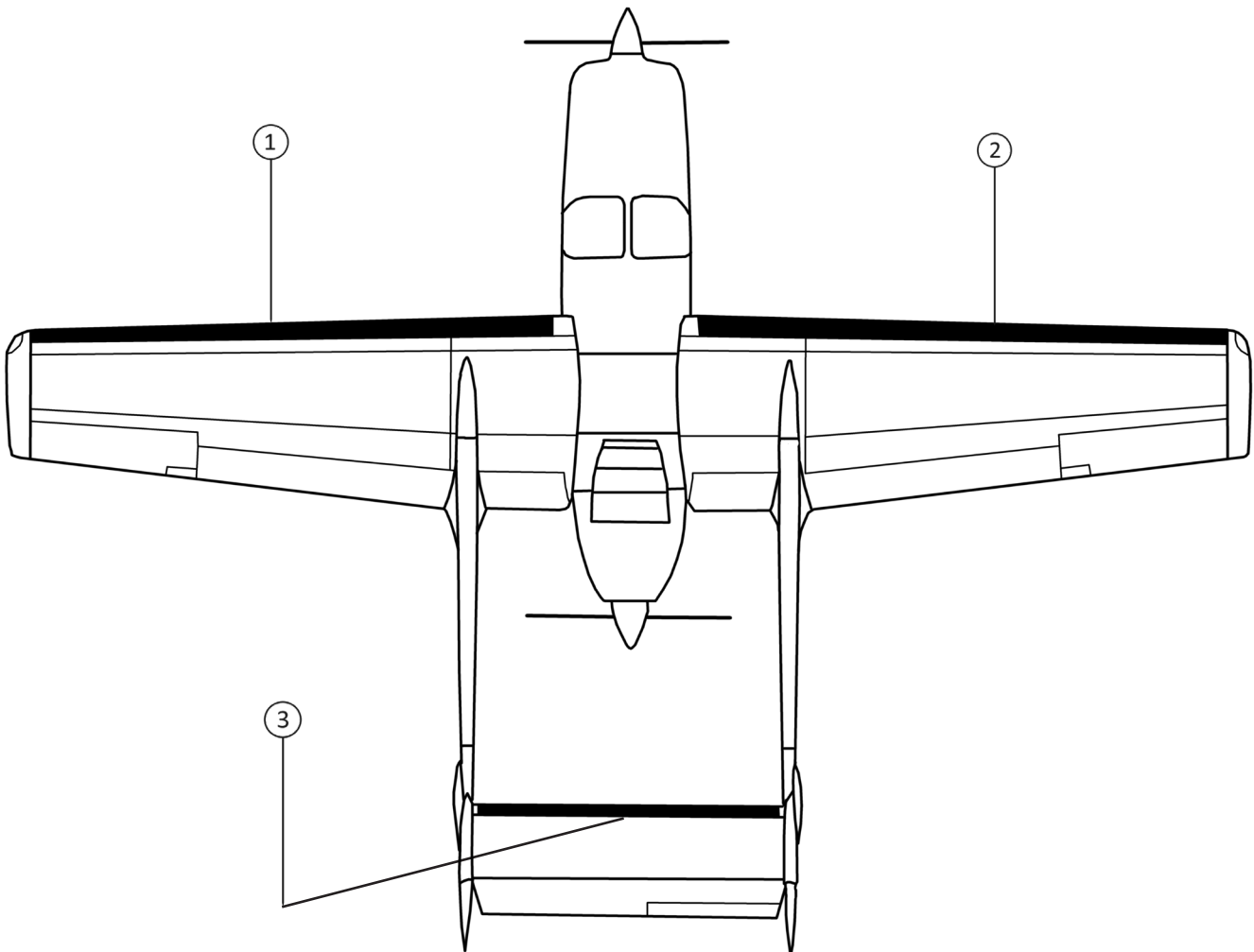
**CESSNA 337F/G/H (SUPER SKYMASTER) S/N P33701764 UP**

**CESSNA T337F (TURBO SUPER SKYMASTER)**
**STANDARD DE-ICE BOOTS**

POSITION ID	GOODRICH PART NUMBER	AIRCRAFT OEM P/N	DESCRIPTION	QTY PER AIRCRAFT	WT
1	25S-5D5053-01		FUSELAGE-TIP LH DE-ICE BOOT	1	7.1
2	25S-5D5053-02		FUSELAGE-TIP RH DE-ICE BOOT	1	7.1
3	25S-5D5053-03		HORIZONTAL STABILIZER DE-ICE BOOT	1	2.8

**FASTboot® DE-ICE BOOTS**

POSITION ID	GOODRICH PART NUMBER	AIRCRAFT OEM P/N	DESCRIPTION	QTY PER AIRCRAFT	WT
1	P25S-5D5053-01		FASTBOOT® FUSELAGE-TIP LH DE-ICE BOOT	1	7.1
2	P25S-5D5053-02		FASTBOOT® FUSELAGE-TIP RH DE-ICE BOOT	1	7.1
3	P25S-5D5053-03		FASTBOOT® HORIZONTAL STABILIZER DE-ICE BOOT	1	2.8


**CESSNA T337F (TURBO SUPER SKYMASTER)**

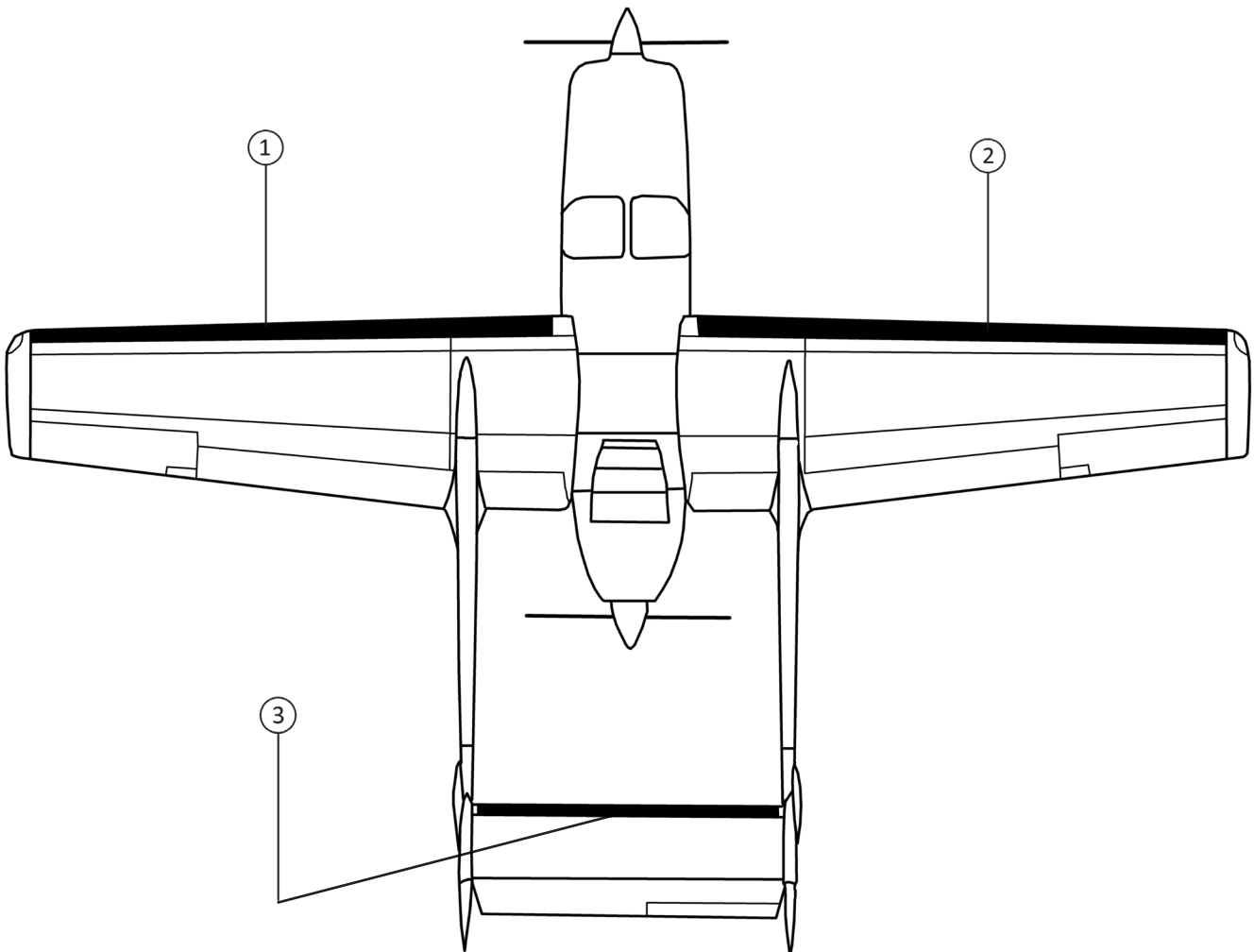
**CESSNA T337G (SUPER SKYMASTER)**

**STANDARD DE-ICE BOOTS**

POSITION ID	GOODRICH PART NUMBER	AIRCRAFT OEM P/N	DESCRIPTION	QTY PER AIRCRAFT	WT
1	25S-5D5053-01		FUSELAGE-TIP LH DE-ICE BOOT	1	7.1
2	25S-5D5053-02		FUSELAGE-TIP RH DE-ICE BOOT	1	7.1
3	25S-5D5053-03		HORIZONTAL STABILIZER DE-ICE BOOT	1	2.8

**FASTboot® DE-ICE BOOTS**

POSITION ID	GOODRICH PART NUMBER	AIRCRAFT OEM P/N	DESCRIPTION	QTY PER AIRCRAFT	WT
1	P25S-5D5053-01		FASTBOOT® FUSELAGE-TIP LH DE-ICE BOOT	1	7.1
2	P25S-5D5053-02		FASTBOOT® FUSELAGE-TIP RH DE-ICE BOOT	1	7.1
3	P25S-5D5053-03		FASTBOOT® HORIZONTAL STABILIZER DE-ICE BOOT	1	2.8



**CESSNA T337G (SUPER SKYMASTER)**

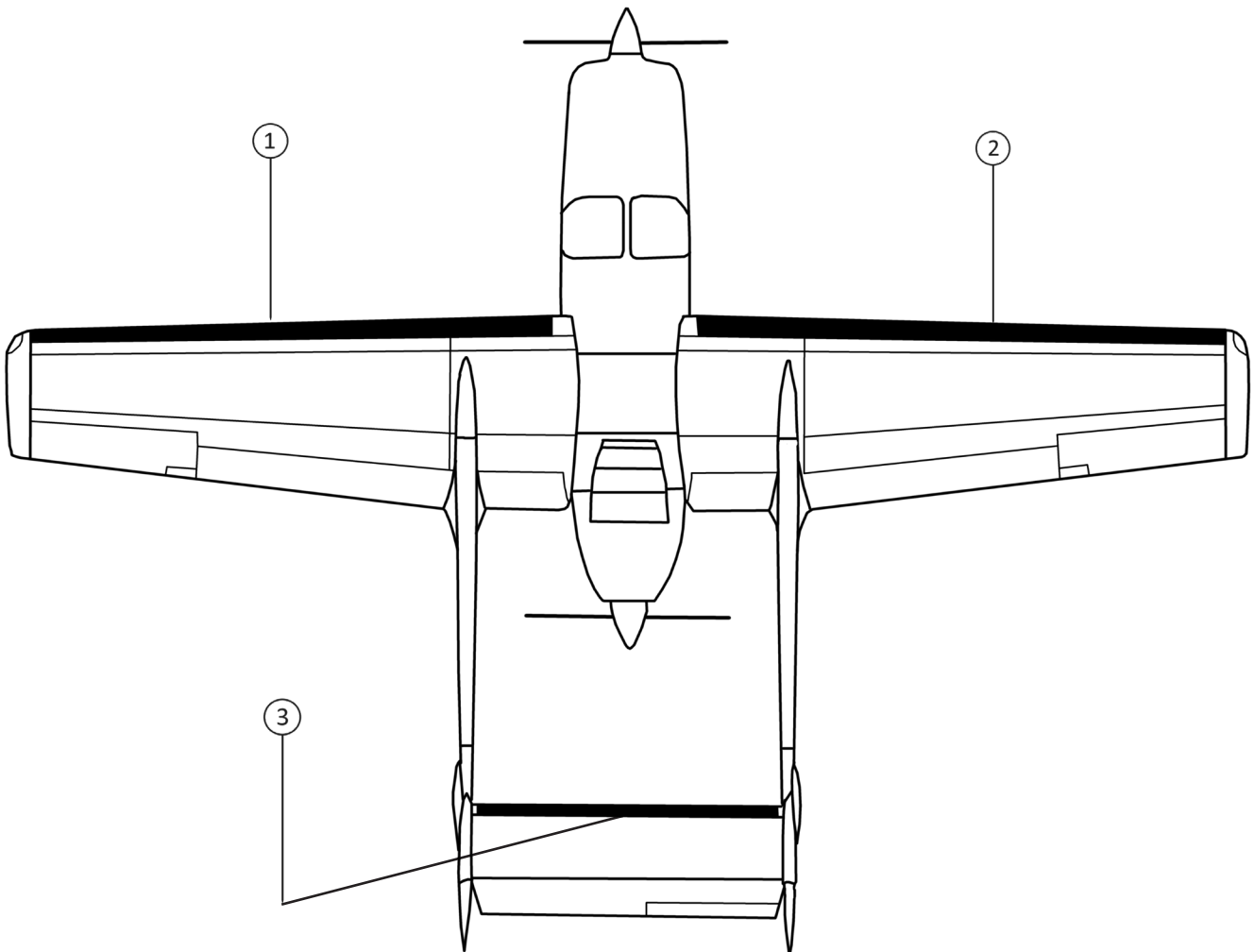


**CESSNA T337H (TURBO SUPER SKYMASTER)**
**STANDARD DE-ICE BOOTS**

POSITION ID	GOODRICH PART NUMBER	AIRCRAFT OEM P/N	DESCRIPTION	QTY PER AIRCRAFT	WT
1	25S-5D5053-01		FUSELAGE-TIP LH DE-ICE BOOT	1	7.1
2	25S-5D5053-02		FUSELAGE-TIP RH DE-ICE BOOT	1	7.1
3	25S-5D5053-03		HORIZONTAL STABILIZER DE-ICE BOOT	1	2.8

**FASTboot® DE-ICE BOOTS**

POSITION ID	GOODRICH PART NUMBER	AIRCRAFT OEM P/N	DESCRIPTION	QTY PER AIRCRAFT	WT
1	P25S-5D5053-01		FASTBOOT® FUSELAGE-TIP LH DE-ICE BOOT	1	7.1
2	P25S-5D5053-02		FASTBOOT® FUSELAGE-TIP RH DE-ICE BOOT	1	7.1
3	P25S-5D5053-03		FASTBOOT® HORIZONTAL STABILIZER DE-ICE BOOT	1	2.8

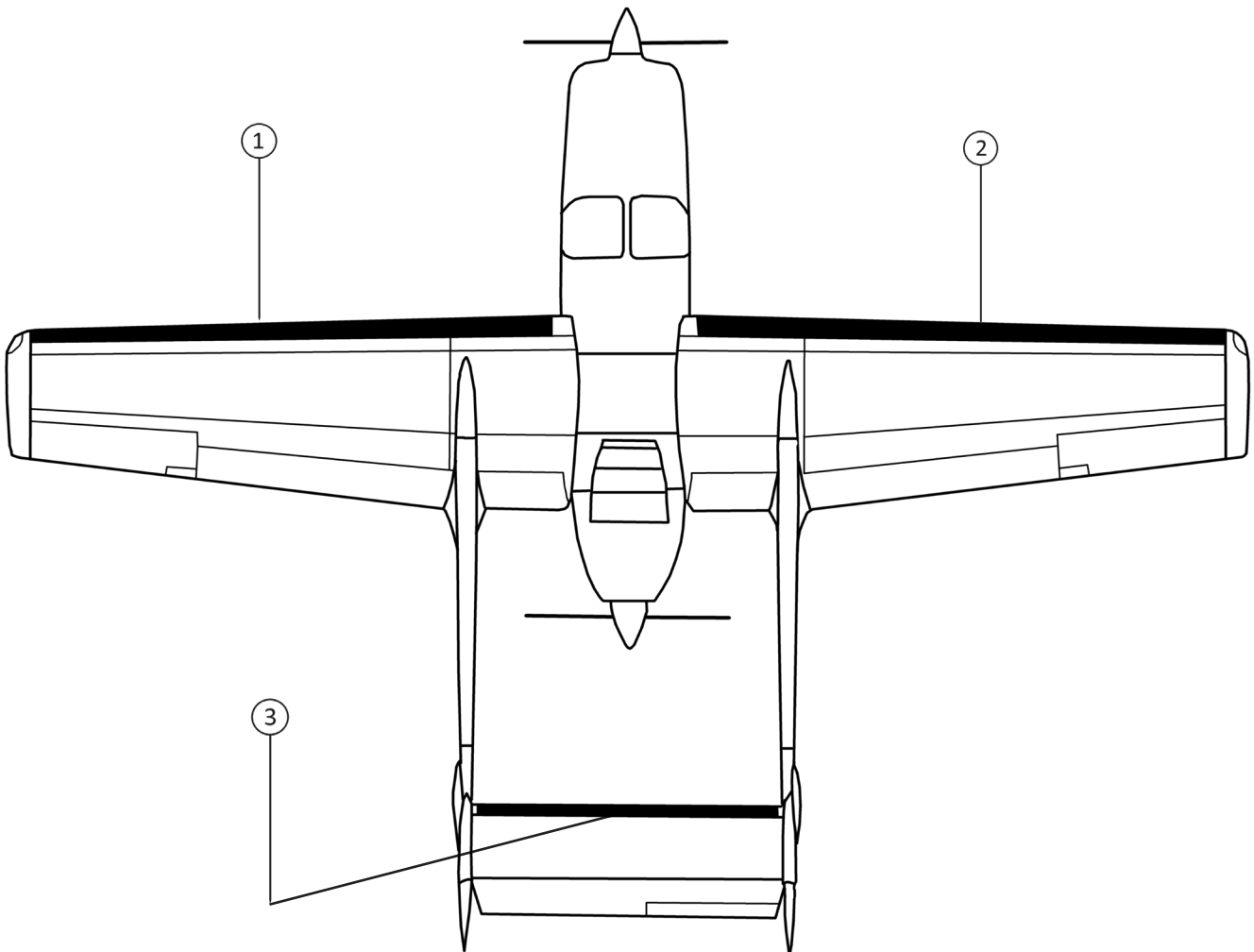

**CESSNA T337H (TURBO SUPER SKYMASTER)**

**CESSNA T337H-SP (SUPER SKYMASTER)**
**STANDARD DE-ICE BOOTS**

POSITION ID	GOODRICH PART NUMBER	AIRCRAFT OEM P/N	DESCRIPTION	QTY PER AIRCRAFT	WT
1	25S-5D5053-01		FUSELAGE-TIP LH DE-ICE BOOT	1	7.1
2	25S-5D5053-02		FUSELAGE-TIP RH DE-ICE BOOT	1	7.1
3	25S-5D5053-03		HORIZONTAL STABILIZER DE-ICE BOOT	1	2.8

**FASTboot® DE-ICE BOOTS**

POSITION ID	GOODRICH PART NUMBER	AIRCRAFT OEM P/N	DESCRIPTION	QTY PER AIRCRAFT	WT
1	P25S-5D5053-01		FASTBOOT® FUSELAGE-TIP LH DE-ICE BOOT	1	7.1
2	P25S-5D5053-02		FASTBOOT® FUSELAGE-TIP RH DE-ICE BOOT	1	7.1
3	P25S-5D5053-03		FASTBOOT® HORIZONTAL STABILIZER LH/RH DE-ICE BOOT	1	2.8


**CESSNA T337H-SP (SUPER SKYMASTER)**

**CESSNA 340**
**CESSNA 340**
**STANDARD DE-ICE BOOTS**

POSITION ID	GOODRICH PART NUMBER	AIRCRAFT OEM P/N	DESCRIPTION	QTY PER AIRCRAFT	WT
1	29S5D2010-1-1		NACELLE-TIP LH TTS DE-ICE BOOT	1	4.3
1	29S5D2010-6-1*		NACELLE-TIP LH TTS DE-ICE BOOT	1	4.3
2	29S5D2010-1-2		NACELLE-TIP RH TTS DE-ICE BOOT	1	4.4
2	29S5D2010-6-2		NACELLE-TIP RH TTS DE-ICE BOOT	1	4.4
3	29S5D2010-2-1		HORIZONTAL STABILIZER LH/RH TTS DE-ICE BOOT	2	3.6
4	29S5D2010-5-1		VERTICAL STABILIZER TTS DE-ICE BOOT	1	1.6

TYPE 29 SEWN DE-ICER PROVIDES HIGHER DURABILITY THAN TYPE 23 TUBE TYPE DESIGN

\*29S5D2010-6-1 HAS THIN WEB AREA FOR TURBOCHARGER AIR INTAKE

**OPTIONAL STANDARD DE-ICE BOOTS**

POSITION ID	GOODRICH PART NUMBER	AIRCRAFT OEM P/N	DESCRIPTION	QTY PER AIRCRAFT	WT
1	23S-2010-1-1	0820517-9	NACELLE-TIP LH DE-ICE BOOT (SUPERSEDED BY P/N 29S5D2010-1-1)	1	4.6
2	23S-2010-1-2	0820517-10	NACELLE-TIP RH DE-ICE BOOT (SUPERSEDED BY P/N 29S5D2010-1-2)	1	4.7
3	23S-2010-2-1*	0820517-11	HORIZONTAL STABILIZER LH/RH DE-ICE BOOT (SUPERSEDED BY P/N 29S5D2010-2-1)	2	3.7
3	25S-4D5147-03		(ALTERNATE P/N) HORIZONTAL STABILIZER LH/RH DE-ICE BOOT	2	2.6
4	23S-2010-5-1		VERTICAL STABILIZER DE-ICE BOOT (SUPERSEDED BY P/N 29S5D2010-5-1)	1	1.6

\*PART NUMBERS 23S-2010-2-1 AND 25S-4D5147-03 ARE INTERCHANGABLE

23S-2010-2-1 HAS AN EXTRA 1/8 IN. OF MATERIAL AT THE ENDS AND AN EXTRA 1 3/8 IN. OF MATERIAL AT THE EDGES

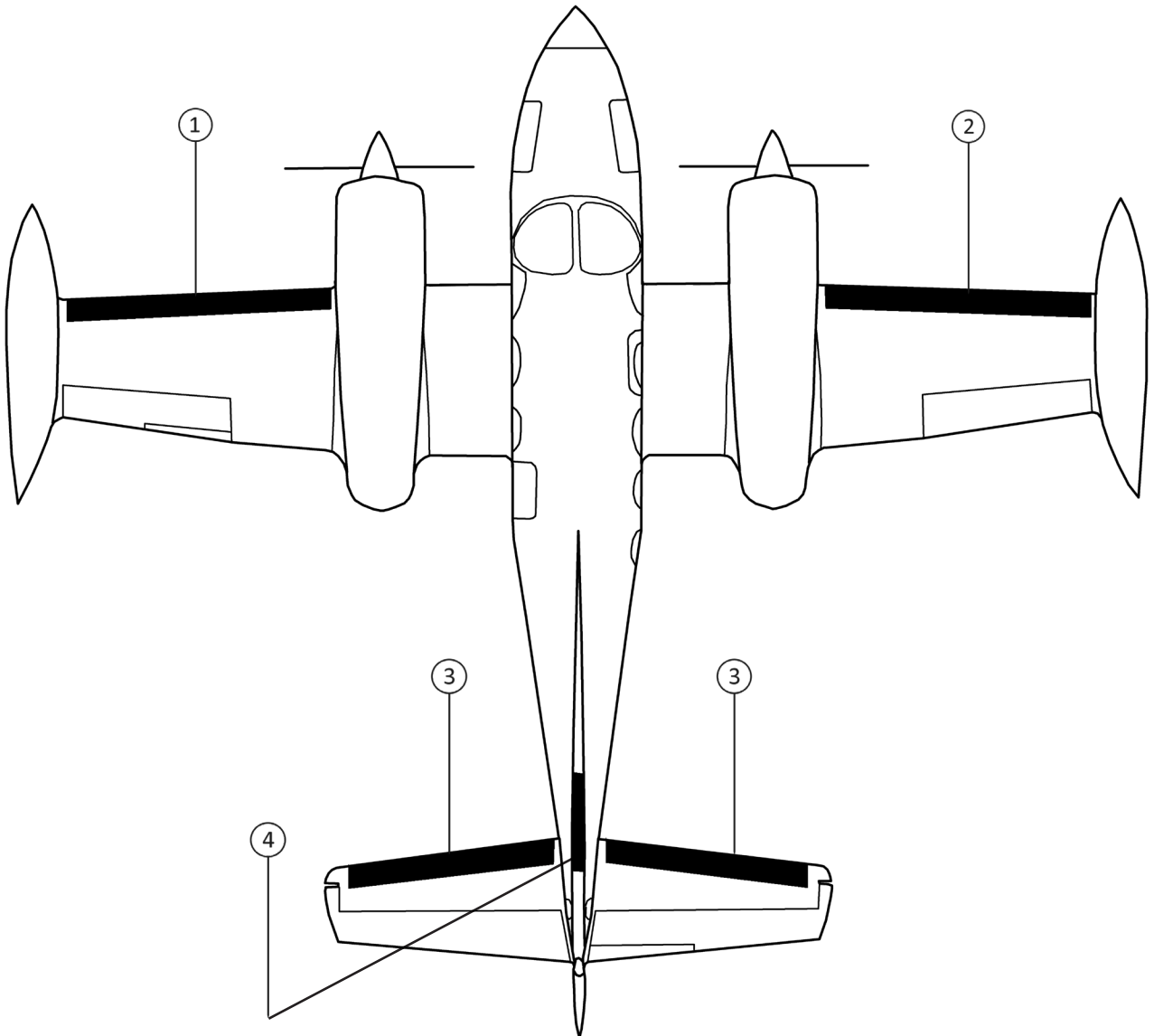
**FASTboot® DE-ICE BOOTS**

POSITION ID	GOODRICH PART NUMBER	AIRCRAFT OEM P/N	DESCRIPTION	QTY PER AIRCRAFT	WT
1	P29S5D2010-1-1		FASTBOOT® NACELLE-TIP LH TTS DE-ICE BOOT	1	4.3
1	P29S5D2010-6-1*		FASTBOOT® NACELLE-TIP LH TTS DE-ICE BOOT	1	4.3
2	P29S5D2010-1-2		FASTBOOT® NACELLE-TIP RH TTS DE-ICE BOOT	1	4.4
2	P29S5D2010-6-2		FASTBOOT® NACELLE-TIP RH TTS DE-ICE BOOT	1	4.4
3	P29S5D2010-2-1		FASTBOOT® HORIZONTAL STABILIZER LH/RH TTS DE-ICE BOOT	2	3.6
4	P29S5D2010-5-1		FASTBOOT® VERTICAL STABILIZER TTS DE-ICE BOOT	1	1.6

\*P29S5D2010-6-1 HAS THIN WEB AREA FOR TURBOCHARGER AIR INTAKE

**CESSNA 340**

**CESSNA 340**



**CESSNA 340A S/N 340A0001 THRU 340A0125**
**STANDARD DE-ICE BOOTS**

POSITION ID	GOODRICH PART NUMBER	AIRCRAFT OEM P/N	DESCRIPTION	QTY PER AIRCRAFT	WT
1	29S5D2010-1-1		NACELLE-TIP LH TTS DE-ICE BOOT	1	4.3
1	29S5D2010-6-1*		NACELLE-TIP LH TTS DE-ICE BOOT	1	4.3
2	29S5D2010-1-2		NACELLE-TIP RH TTS DE-ICE BOOT	1	4.4
2	29S5D2010-6-2		NACELLE-TIP RH TTS DE-ICE BOOT	1	4.4
3	29S5D2010-2-1		HORIZONTAL STABILIZER LH/RH TTS DE-ICE BOOT	2	3.6
4	29S5D2010-5-1		VERTICAL STABILIZER TTS DE-ICE BOOT	1	1.6

TYPE 29 SEWN DE-ICER PROVIDES HIGHER DURABILITY THAN TYPE 23 TUBE TYPE DESIGN

\*29S5D2010-6-1 HAS THIN WEB AREA FOR TURBOCHARGER AIR INTAKE

**OPTIONAL STANDARD DE-ICE BOOTS**

POSITION ID	GOODRICH PART NUMBER	AIRCRAFT OEM P/N	DESCRIPTION	QTY PER AIRCRAFT	WT
1	23S-2010-1-1	0820517-9	NACELLE-TIP LH DE-ICE BOOT (SUPERSEDED BY P/N 29S5D2010-1-1)	1	4.6
2	23S-2010-1-2	0820517-10	NACELLE-TIP RH DE-ICE BOOT (SUPERSEDED BY P/N 29S5D2010-1-2)	1	4.7
3	23S-2010-2-1*	0820517-11	HORIZONTAL STABILIZER LH/RH DE-ICE BOOT (SUPERSEDED BY P/N 29S5D2010-2-1)	2	3.7
3	25S-4D5147-03		(ALTERNATE P/N) HORIZONTAL STABILIZER LH/RH DE-ICE BOOT	2	2.6
4	23S-2010-5-1		VERTICAL STABILIZER DE-ICE BOOT (SUPERSEDED BY P/N 29S5D2010-5-1)	1	1.6

\*PART NUMBERS 23S-2010-2-1 AND 25S-4D5147-03 ARE INTERCHANGABLE

23S-2010-2-1 HAS AN EXTRA 1/8 IN. OF MATERIAL AT THE ENDS AND AN EXTRA 1 3/8 IN. OF MATERIAL AT THE EDGES

**FASTboot® DE-ICE BOOTS**

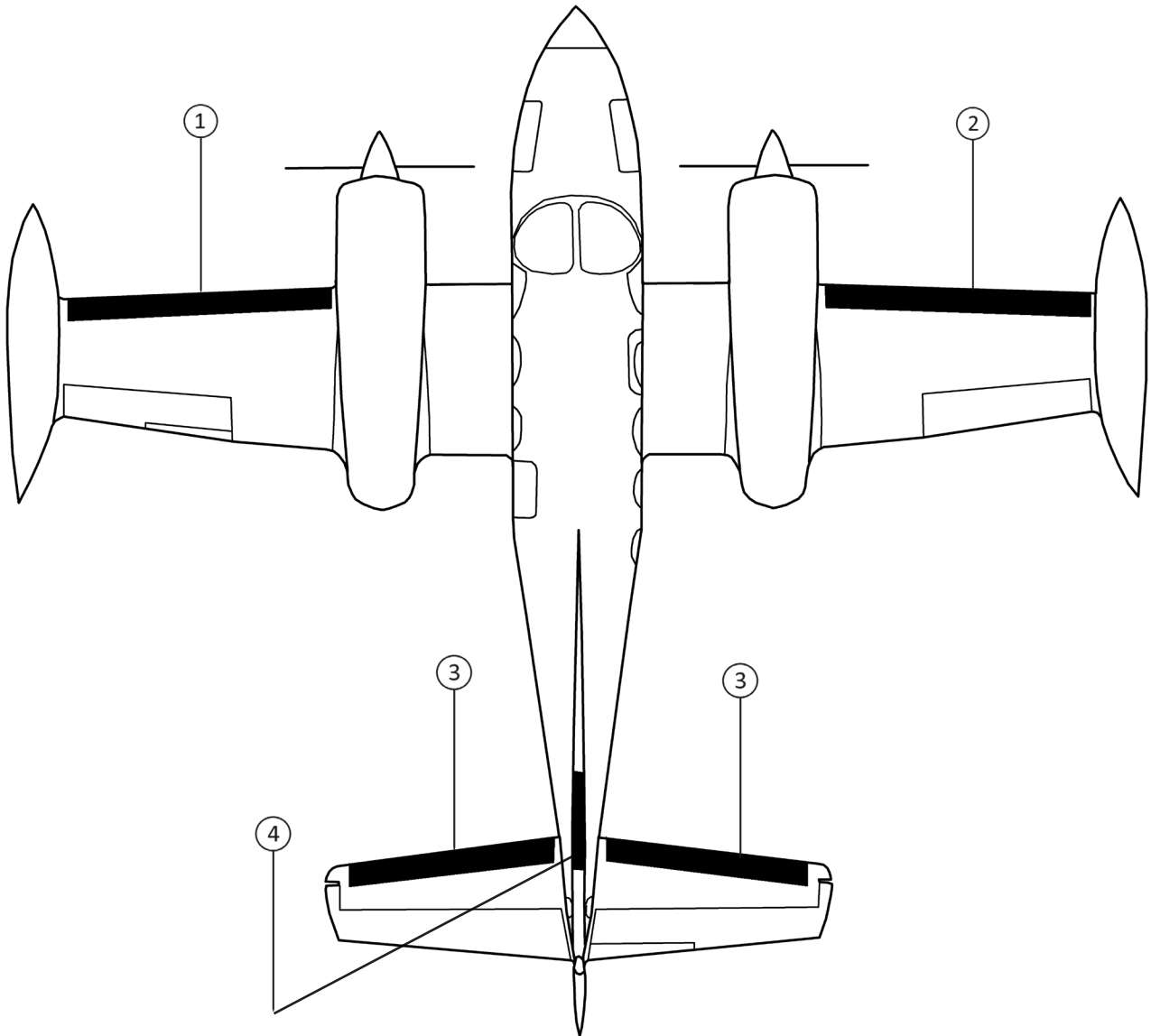
POSITION ID	GOODRICH PART NUMBER	AIRCRAFT OEM P/N	DESCRIPTION	QTY PER AIRCRAFT	WT
1	P29S5D2010-1-1		FASTBOOT® NACELLE-TIP LH TTS DE-ICE BOOT	1	4.3
1	P29S5D2010-6-1*		FASTBOOT® NACELLE-TIP LH TTS DE-ICE BOOT	1	4.3
2	P29S5D2010-1-2		FASTBOOT® NACELLE-TIP RH TTS DE-ICE BOOT	1	4.4
2	P29S5D2010-6-2		FASTBOOT® NACELLE-TIP RH TTS DE-ICE BOOT	1	4.4
3	P29S5D2010-2-1		FASTBOOT® HORIZONTAL STABILIZER LH/RH TTS DE-ICE BOOT	2	3.6
4	P29S5D2010-5-1		FASTBOOT® VERTICAL STABILIZER TTS DE-ICE BOOT	1	1.6

\*P29S5D2010-6-1 HAS THIN WEB AREA FOR TURBOCHARGER AIR INTAKE

**CESSNA 340A S/N 340A0001 THRU 340A0125**

**CESSNA 340A S/N 340A0001 THRU 340A0125**

**CESSNA 340A S/N 340A0001 THRU 340A0125**



**CESSNA 340A S/N 340A0201 UP**
**STANDARD DE-ICE BOOTS**

POSITION ID	GOODRICH PART NUMBER	AIRCRAFT OEM P/N	DESCRIPTION	QTY PER AIRCRAFT	WT
1	27S-7D5070-31		FUSELAGE-NACELLE LH DE-ICE BOOT	1	0.9
2	27S-7D5070-32		FUSELAGE-NACELLE RH DE-ICE BOOT	1	0.9
3	27S-7D5070-03		NACELLE-TIP LH DE-ICE BOOT	1	3.3
4	27S-7D5070-04		NACELLE-TIP RH DE-ICE BOOT	1	3.3
5	27S-7D5070-11		HORIZONTAL STABILIZER LH/RH DE-ICE BOOT	2	2.2
6	27S-7D5070-13		VERTICAL STABILIZER DE-ICE BOOT	1	1.2

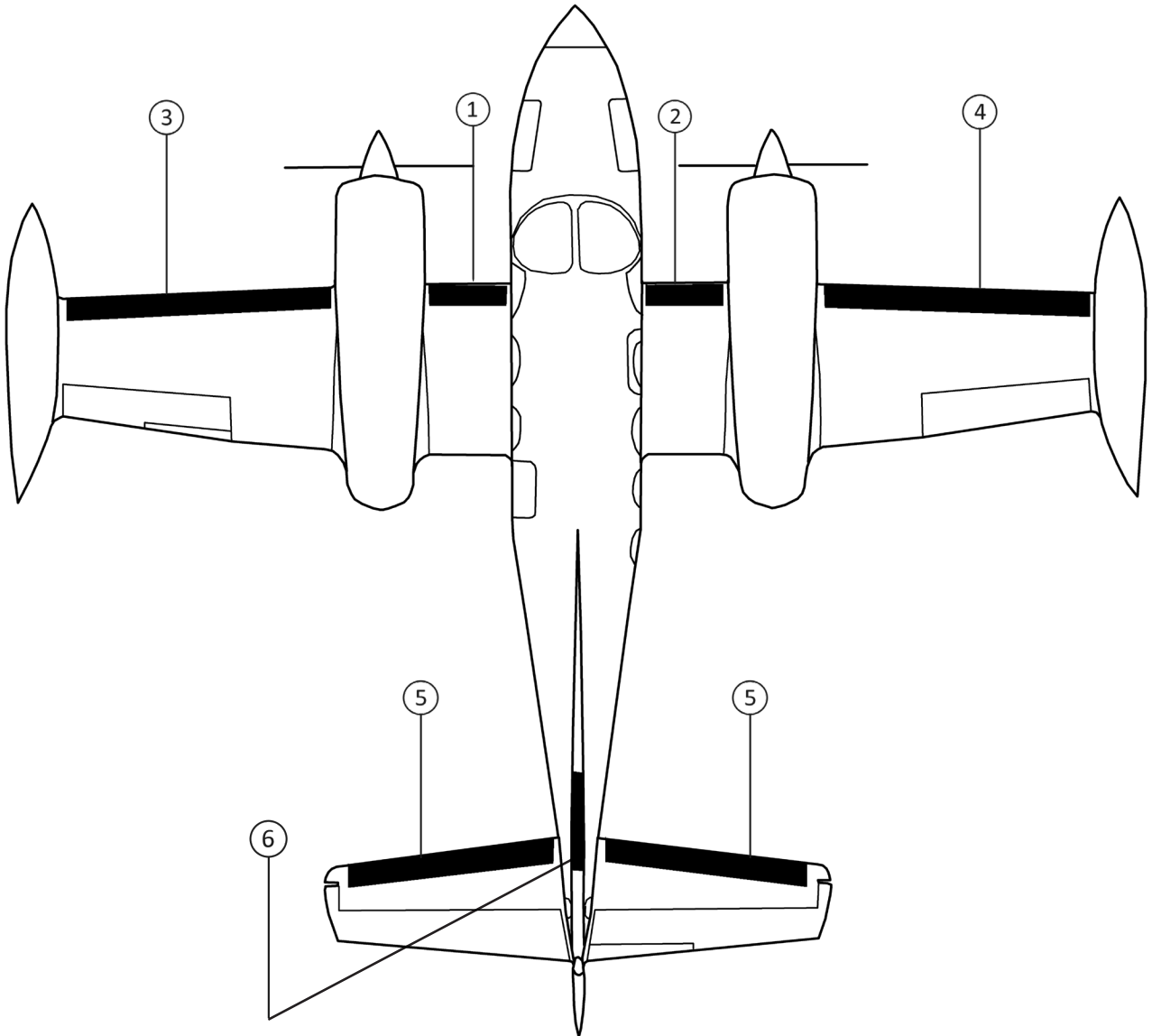
**FASTboot® DE-ICE BOOTS**

POSITION ID	GOODRICH PART NUMBER	AIRCRAFT OEM P/N	DESCRIPTION	QTY PER AIRCRAFT	WT
1	P27S-7D5070-31		FASTBOOT® FUSELAGE-NACELLE LH DE-ICE BOOT	1	0.9
2	P27S-7D5070-32		FASTBOOT® FUSELAGE-NACELLE RH DE-ICE BOOT	1	0.9
3	P27S-7D5070-03		FASTBOOT® NACELLE-TIP LH DE-ICE BOOT	1	3.3
4	P27S-7D5070-04		FASTBOOT® NACELLE-TIP RH DE-ICE BOOT	1	3.3
5	P27S-7D5070-11		FASTBOOT® HORIZONTAL STABILIZER LH/RH DE-ICE BOOT	2	2.2
6	P27S-7D5070-13		FASTBOOT® VERTICAL STABILIZER DE-ICE BOOT	1	1.2

**CESSNA 340A S/N 340A0201 UP**

**CESSNA 340A S/N 340A0201 UP**

**CESSNA 340A S/N 340A0201 UP**





**CESSNA 401 S/N TO 401-0144 (UTILINER/BUSINESSLINER)**
**STANDARD DE-ICE BOOTS**

POSITION ID	GOODRICH PART NUMBER	AIRCRAFT OEM P/N	DESCRIPTION	QTY PER AIRCRAFT	WT
1	23S-2010-6-1	0820517-27	NACELLE-TIP LH DE-ICE BOOT	1	4.6
2	23S-2010-6-2	0820517-26	NACELLE-TIP RH DE-ICE BOOT	1	4.7
3	29S5D2074-2-1		HORIZONTAL STABILIZER LH/RH TTS DE-ICE BOOT	2	3.7
4	29S5D2074-3-1		VERTICAL STABILIZER TTS DE-ICE BOOT	1	1.5

TYPE 29 SEWN DE-ICER PROVIDES HIGHER DURABILITY THAN TYPE 23 TUBE TYPE DESIGN

**SUPERSEDED STANDARD DE-ICE BOOTS**

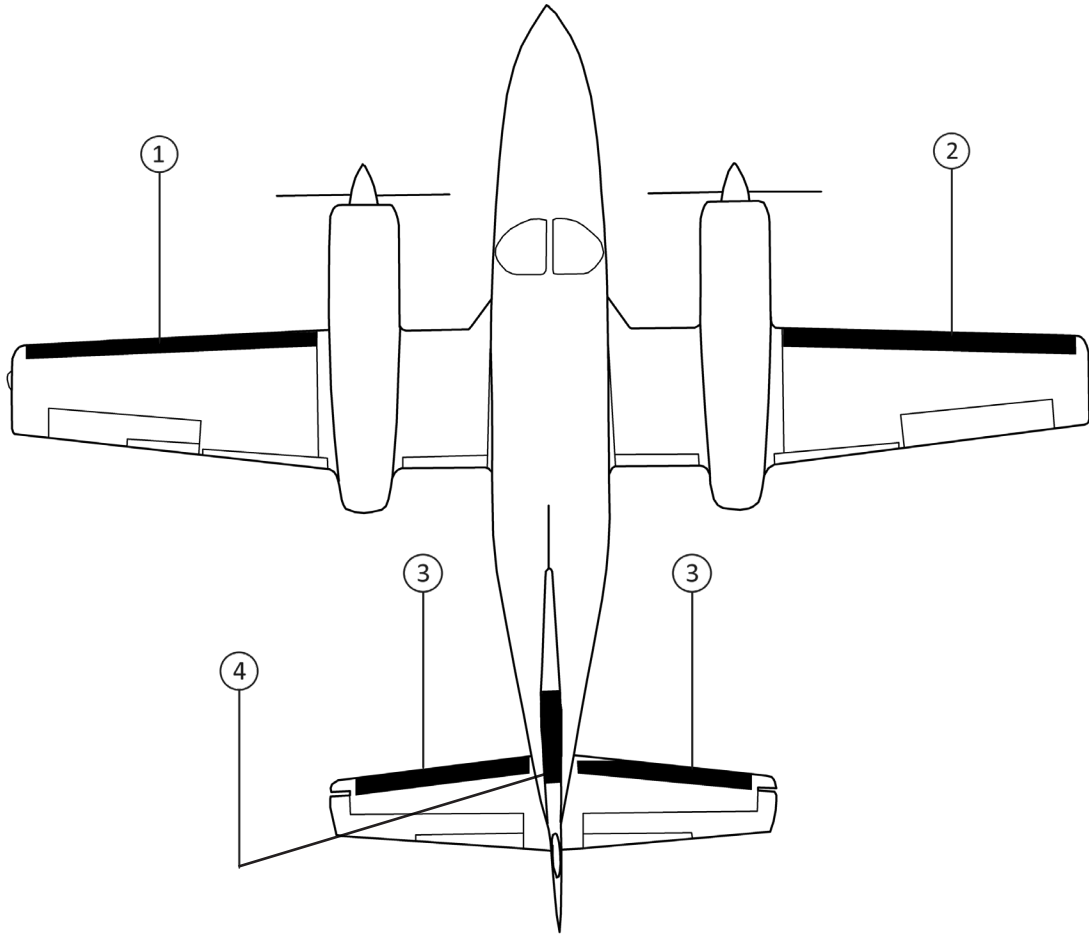
POSITION ID	GOODRICH PART NUMBER	AIRCRAFT OEM P/N	DESCRIPTION	QTY PER AIRCRAFT	WT
3	23S-2074-2-1		HORIZONTAL STABILIZER LH/RH DE-ICE BOOT (SUPERSEDED BY P/N 29S5D2074-2-1)	2	3.7
4	23S-2074-3-1		VERTICAL STABILIZER DE-ICE BOOT (SUPERSEDED BY P/N 29S5D2074-3-1)	1	1.5

**FASTboot® DE-ICE BOOTS**

POSITION ID	GOODRICH PART NUMBER	AIRCRAFT OEM P/N	DESCRIPTION	QTY PER AIRCRAFT	WT
3	P29S5D2074-2-1		FASTBOOT® HORIZONTAL STABILIZER LH/RH TTS DE-ICE BOOT	2	3.7
4	P29S5D2074-3-1		FASTBOOT® VERTICAL STABILIZER TTS DE-ICE BOOT	1	1.5

**CESSNA 401 S/N TO 401-0144 (UTILINER/BUSINESSLINER)**

**CESSNA 401 S/N TO 401-0144 (UTILINER/BUSINESSLINER)**



**CESSNA 401 S/N TO 401-0144 (UTILINER/BUSINESSLINER)**

**CESSNA 401 S/N 401-0145 UP (UTILINER/BUSINESSLINER)**
**STANDARD DE-ICE BOOTS**

POSITION ID	GOODRICH PART NUMBER	AIRCRAFT OEM P/N	DESCRIPTION	QTY PER AIRCRAFT	WT
1	29S5D2010-1-1		NACELLE-TIP LH TTS DE-ICE BOOT	1	4.3
2	29S5D2010-1-2		NACELLE-TIP RH TTS DE-ICE BOOT	1	4.4
3	29S5D2074-2-1		HORIZONTAL STABILIZER LH/RH TTS DE-ICE BOOT	2	3.7
4	29S5D2074-3-1		VERTICAL STABILIZER TTS DE-ICE BOOT	1	1.5

TYPE 29 SEWN DE-ICER PROVIDES HIGHER DURABILITY THAN TYPE 23 TUBE TYPE DESIGN

**SUPERSEDED STANDARD DE-ICE BOOTS**

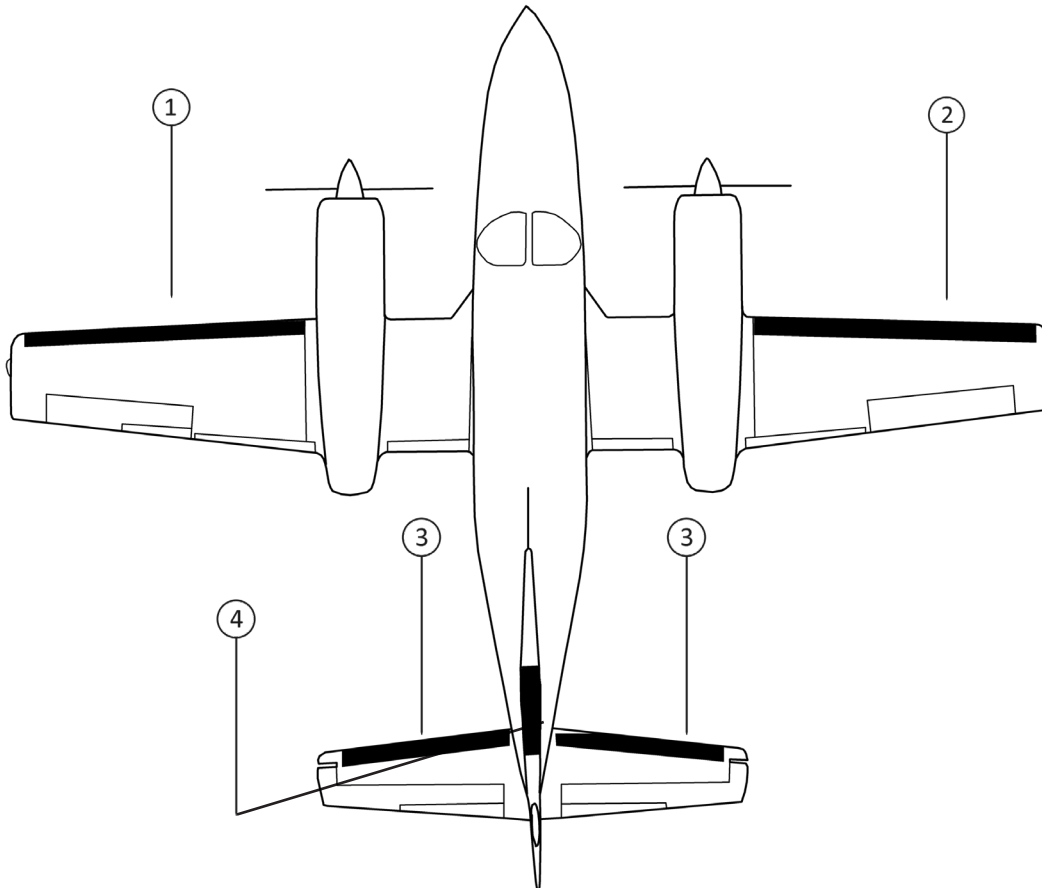
POSITION ID	GOODRICH PART NUMBER	AIRCRAFT OEM P/N	DESCRIPTION	QTY PER AIRCRAFT	WT
1	23S-2010-1-1	0820517-9	NACELLE-TIP LH DE-ICE BOOT (SUPERSEDED BY P/N 29S5D2010-1-1)	1	4.6
2	23S-2010-1-2	0820517-10	NACELLE-TIP RH DE-ICE BOOT (SUPERSEDED BY P/N 29S5D2010-1-2)	1	4.7
3	23S-2074-2-1		HORIZONTAL STABILIZER LH/RH DE-ICE BOOT (SUPERSEDED BY P/N 29S5D2074-2-1)	2	3.7
4	23S-2074-3-1		VERTICAL STABILIZER DE-ICE BOOT (SUPERSEDED BY P/N 29S5D2074-3-1)	1	1.5

**FASTboot® DE-ICE BOOTS**

POSITION ID	GOODRICH PART NUMBER	AIRCRAFT OEM P/N	DESCRIPTION	QTY PER AIRCRAFT	WT
1	P29S5D2010-1-1		FASTBOOT® NACELLE-TIP LH TTS DE-ICE BOOT	1	4.3
2	P29S5D2010-1-2		FASTBOOT® NACELLE-TIP RH TTS DE-ICE BOOT	1	4.4
3	P29S5D2074-2-1		FASTBOOT® HORIZONTAL STABILIZER LH/RH TTS DE-ICE BOOT	2	3.7
4	P29S5D2074-3-1		FASTBOOT® VERTICAL STABILIZER TTS DE-ICE BOOT	1	1.5

**CESSNA 401 S/N 401-0145 UP (UTILINER/BUSINESSLINER)**

**CESSNA 401 S/N 401-0145 UP (UTILINER/BUSINESSLINER)**



**CESSNA 401 S/N 401-0145 UP (UTILINER/BUSINESSLINER)**

**CESSNA 401A (UTILINER/BUSINESSLINER)**
**STANDARD DE-ICE BOOTS**

POSITION ID	GOODRICH PART NUMBER	AIRCRAFT OEM P/N	DESCRIPTION	QTY PER AIRCRAFT	WT
1	29S5D2010-1-1		NACELLE-TIP LH TTS DE-ICE BOOT	1	4.3
2	29S5D2010-1-2		NACELLE-TIP RH TTS DE-ICE BOOT	1	4.4
3	29S5D2074-2-1		HORIZONTAL STABILIZER LH/RH TTS DE-ICE BOOT	2	3.7
4	29S5D2074-3-1		VERTICAL STABILIZER TTS DE-ICE BOOT	1	1.5

TYPE 29 SEWN DE-ICER PROVIDES HIGHER DURABILITY THAN TYPE 23 TUBE TYPE DESIGN

**SUPERSEDED STANDARD DE-ICE BOOTS**

POSITION ID	GOODRICH PART NUMBER	AIRCRAFT OEM P/N	DESCRIPTION	QTY PER AIRCRAFT	WT
1	23S-2010-1-1	0820517-9	NACELLE-TIP LH DE-ICE BOOT (SUPERSEDED BY P/N 29S5D2010-1-1)	1	4.6
2	23S-2010-1-2	0820517-10	NACELLE-TIP RH DE-ICE BOOT (SUPERSEDED BY P/N 29S5D2010-1-2)	1	4.7
3	23S-2074-2-1		HORIZONTAL STABILIZER LH/RH DE-ICE BOOT (SUPERSEDED BY P/N 29S5D2074-2-1)	2	3.7
4	23S-2074-3-1		VERTICAL STABILIZER DE-ICE BOOT (SUPERSEDED BY P/N 29S5D2074-3-1)	1	1.5

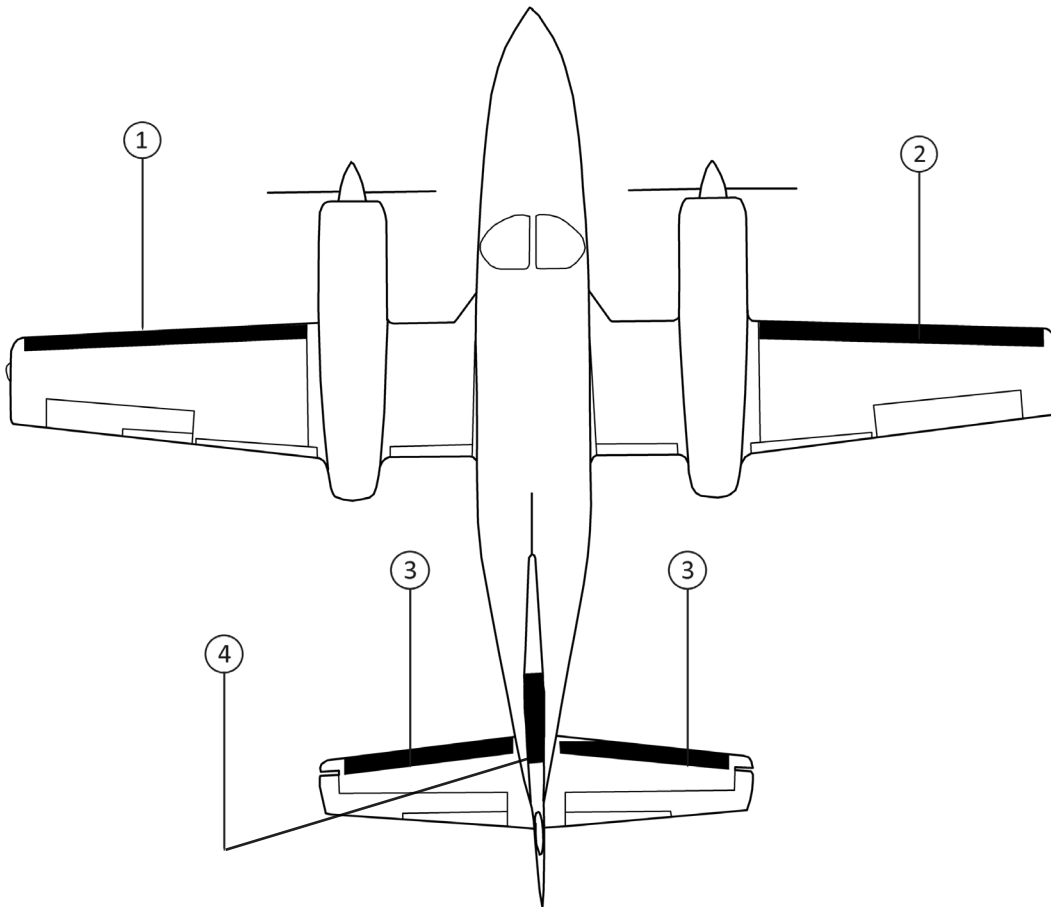
**FASTboot® DE-ICE BOOTS**

POSITION ID	GOODRICH PART NUMBER	AIRCRAFT OEM P/N	DESCRIPTION	QTY PER AIRCRAFT	WT
1	P29S5D2010-1-1		FASTBOOT® NACELLE-TIP LH TTS DE-ICE BOOT	1	4.3
2	P29S5D2010-1-2		FASTBOOT® NACELLE-TIP RH TTS DE-ICE BOOT	1	4.4
3	P29S5D2074-2-1		FASTBOOT® HORIZONTAL STABILIZER LH/RH TTS DE-ICE BOOT	2	3.7
4	P29S5D2074-3-1		FASTBOOT® VERTICAL STABILIZER TTS DE-ICE BOOT	1	1.5

**CESSNA 401A (UTILINER/BUSINESSLINER)**

**CESSNA 401A (UTILINER/BUSINESSLINER)**

**CESSNA 401A (UTILINER/BUSINESSLINER)**



**CESSNA 401B (UTILINER/BUSINESSLINER SERIES)**
**STANDARD DE-ICE BOOTS**

POSITION ID	GOODRICH PART NUMBER	AIRCRAFT OEM P/N	DESCRIPTION	QTY PER AIRCRAFT	WT
1	23S-2010-1-1	0820517-9	NACELLE-TIP LH DE-ICE BOOT	1	4.6
2	23S-2010-1-2	0820517-10	NACELLE-TIP RH DE-ICE BOOT	1	4.7
3	29S5D2074-2-1		HORIZONTAL STABILIZER LH/RH TTS DE-ICE BOOT	2	3.7
4	29S5D2074-3-1		VERTICAL STABILIZER TTS DE-ICE BOOT	1	1.5

TYPE 29 SEWN DE-ICER PROVIDES HIGHER DURABILITY THAN TYPE 23 TUBE TYPE DESIGN

**SUPERSEDED STANDARD DE-ICE BOOTS**

POSITION ID	GOODRICH PART NUMBER	AIRCRAFT OEM P/N	DESCRIPTION	QTY PER AIRCRAFT	WT
3	23S-2074-2-1		HORIZONTAL STABILIZER LH/RH TTS DE-ICE BOOT (SUPERSEDED BY P/N 29S5D2074-2-1)	2	3.7
4	23S-2074-3-1		VERTICAL STABILIZER TTS DE-ICE BOOT (SUPERSEDED BY P/N 29S5D2074-3-1)	1	1.5

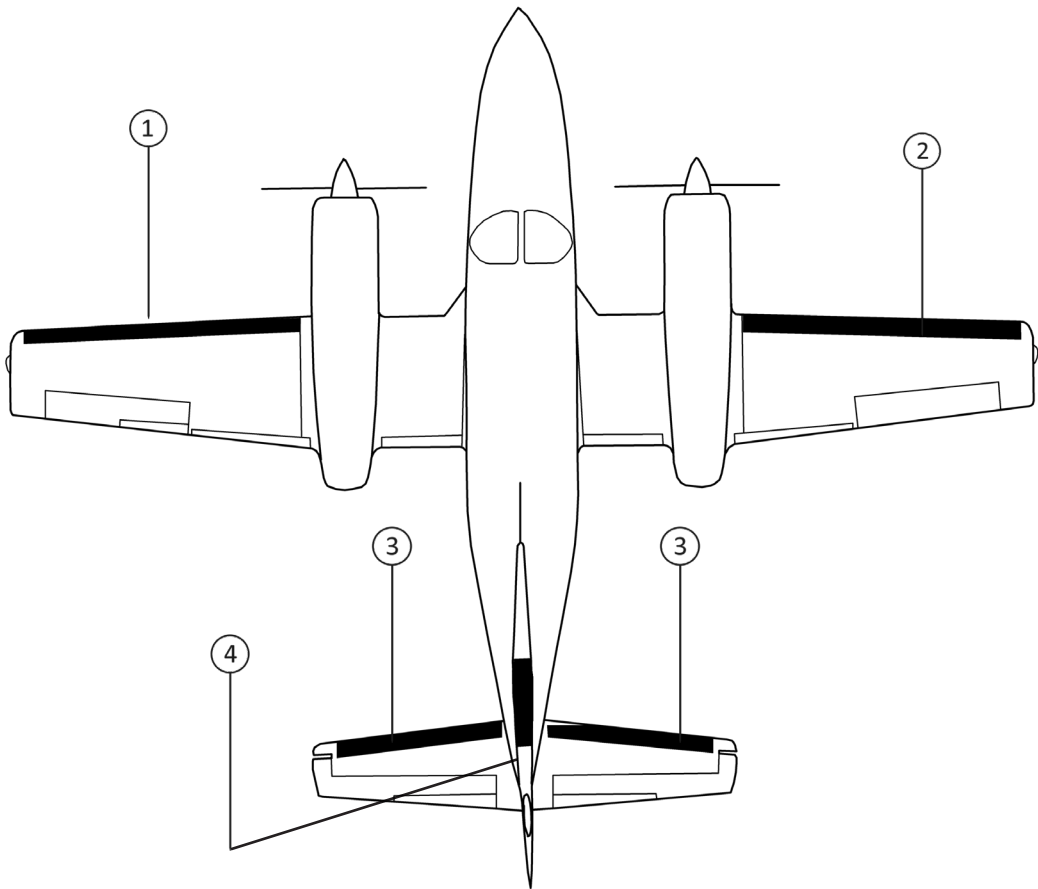
**FASTboot® DE-ICE BOOTS**

POSITION ID	GOODRICH PART NUMBER	AIRCRAFT OEM P/N	DESCRIPTION	QTY PER AIRCRAFT	WT
3	P29S5D2074-2-1		FASTBOOT® HORIZONTAL STABILIZER LH/RH TTS DE-ICE BOOT	2	3.7
4	P29S5D2074-3-1		FASTBOOT® VERTICAL STABILIZER TTS DE-ICE BOOT	1	1.5

**CESSNA 401B (UTILINER/BUSINESSLINER SERIES)**

**CESSNA 401B (UTILINER/BUSINESSLINER SERIES)**

**CESSNA 401B (UTILINER/BUSINESSLINER SERIES)**





**CESSNA 402 (UTILINER/BUSINESSLINER) S/N TO 402-0144**
**STANDARD DE-ICE BOOTS**

POSITION ID	GOODRICH PART NUMBER	AIRCRAFT OEM P/N	DESCRIPTION	QTY PER AIRCRAFT	WT
1	23S-2010-6-1	0820517-27	NACELLE-TIP LH DE-ICE BOOT	1	4.6
2	23S-2010-6-2	0820517-26	NACELLE-TIP RH DE-ICE BOOT	1	4.7
3	29S5D2074-2-1		HORIZONTAL STABILIZER LH/RH TTS DE-ICE BOOT	2	3.7
4	29S5D2074-3-1		VERTICAL STABILIZER TTS DE-ICE BOOT	1	1.5

TYPE 29 SEWN DE-ICER PROVIDES HIGHER DURABILITY THAN TYPE 23 TUBE TYPE DESIGN

**SUPERSEDED STANDARD DE-ICE BOOTS**

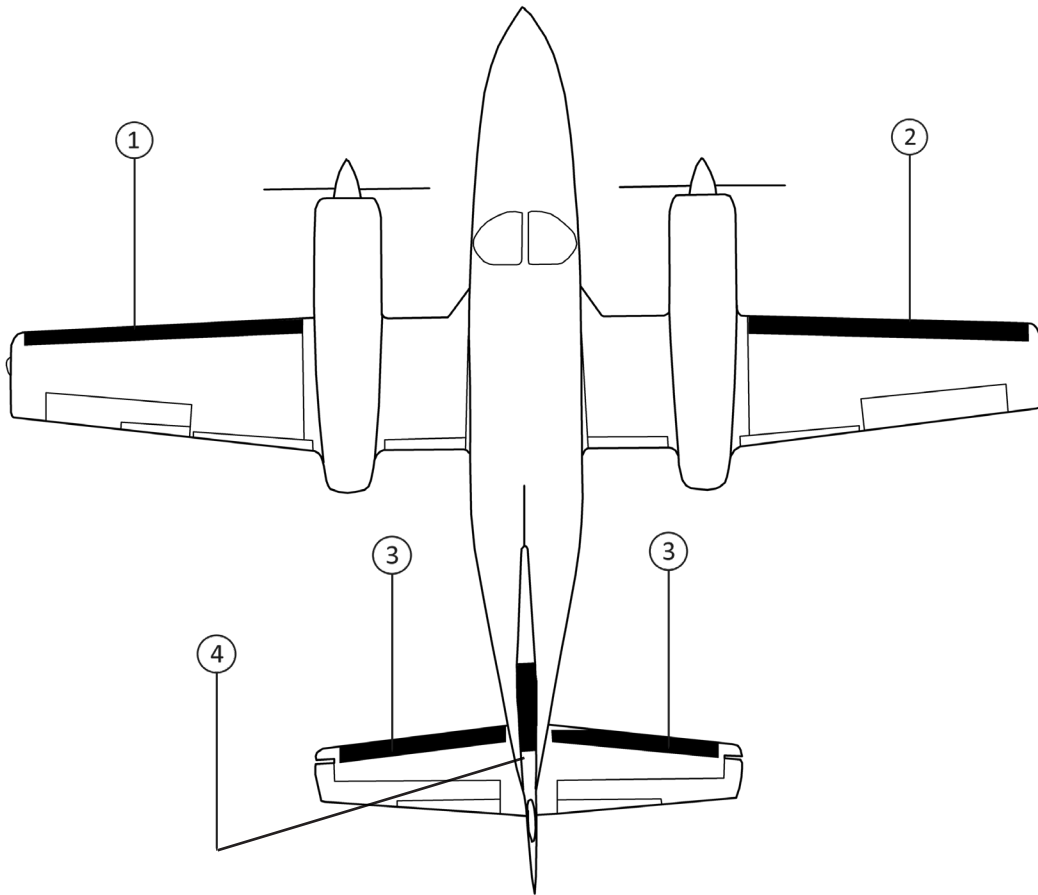
POSITION ID	GOODRICH PART NUMBER	AIRCRAFT OEM P/N	DESCRIPTION	QTY PER AIRCRAFT	WT
3	23S-2074-2-1		HORIZONTAL STABILIZER LH/RH TTS DE-ICE BOOT (SUPERSEDED BY P/N 29S5D2074-2-1)	2	3.7
4	23S-2074-3-1		VERTICAL STABILIZER TTS DE-ICE BOOT (SUPERSEDED BY P/N 29S5D2074-3-1)	1	1.5

**FASTboot® DE-ICE BOOTS**

POSITION ID	GOODRICH PART NUMBER	AIRCRAFT OEM P/N	DESCRIPTION	QTY PER AIRCRAFT	WT
3	P29S5D2074-2-1		FASTBOOT® HORIZONTAL STABILIZER LH/RH TTS DE-ICE BOOT	2	3.7
4	P29S5D2074-3-1		FASTBOOT® VERTICAL STABILIZER TTS DE-ICE BOOT	1	1.5

**CESSNA 402 (UTILINER/BUSINESSLINER) S/N TO 402-0144**

**CESSNA 402 (UTILINER/BUSINESSLINER) S/N TO 402-0144**



**CESSNA 402 (UTILINER/BUSINESSLINER) S/N TO 402-0144**

**CESSNA 402 (UTILINER/BUSINESSLINER) S/N 402-0145 UP**
**STANDARD DE-ICE BOOTS**

POSITION ID	GOODRICH PART NUMBER	AIRCRAFT OEM P/N	DESCRIPTION	QTY PER AIRCRAFT	WT
1	23S-2010-6-1	0820517-27	NACELLE-TIP LH DE-ICE BOOT	1	4.6
2	23S-2010-6-2	0820517-26	NACELLE-TIP RH DE-ICE BOOT	1	4.7
3	29S5D2074-2-1		HORIZONTAL STABILIZER LH/RH TTS DE-ICE BOOT	2	3.7
4	29S5D2074-3-1		VERTICAL STABILIZER TTS DE-ICE BOOT	1	1.5

TYPE 29 SEWN DE-ICER PROVIDES HIGHER DURABILITY THAN TYPE 23 TUBE TYPE DESIGN

**SUPERSEDED STANDARD DE-ICE BOOTS**

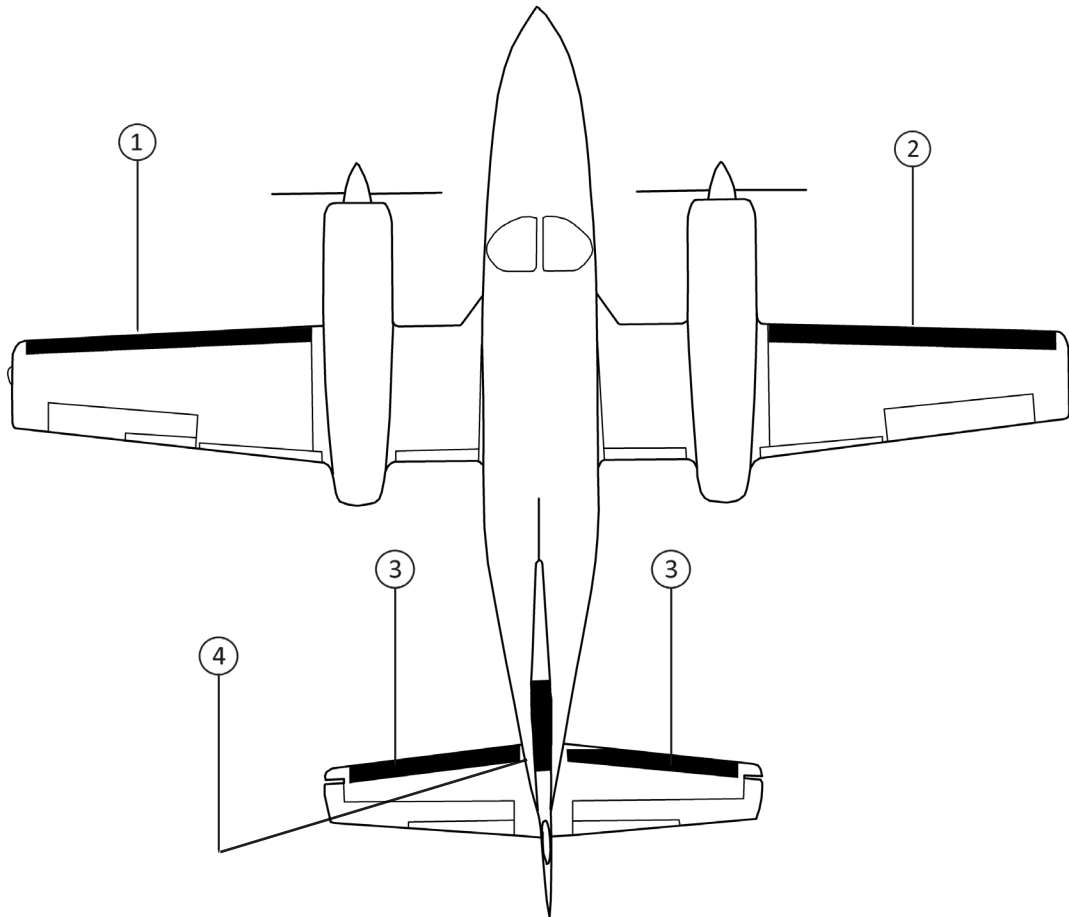
POSITION ID	GOODRICH PART NUMBER	AIRCRAFT OEM P/N	DESCRIPTION	QTY PER AIRCRAFT	WT
3	23S-2074-2-1		HORIZONTAL STABILIZER LH/RH DE-ICE BOOT (SUPERSEDED BY P/N 29S5D2074-2-1)	2	3.7
4	23S-2074-3-1		VERTICAL STABILIZER DE-ICE BOOT (SUPERSEDED BY P/N 29S5D2074-3-1)	1	1.5

**FASTboot® DE-ICE BOOTS**

POSITION ID	GOODRICH PART NUMBER	AIRCRAFT OEM P/N	DESCRIPTION	QTY PER AIRCRAFT	WT
3	P29S5D2074-2-1		FASTBOOT® HORIZONTAL STABILIZER LH/RH TTS DE-ICE BOOT	2	3.7
4	P29S5D2074-3-1		FASTBOOT® VERTICAL STABILIZER TTS DE-ICE BOOT	1	1.5

**CESSNA 402 (UTILINER/BUSINESSLINER) S/N 402-0145 UP**

**CESSNA 402 (UTILINER/BUSINESSLINER) S/N 402-0145 UP**



**CESSNA 402 (UTILINER/BUSINESSLINER) S/N 402-0145 UP**

**CESSNA 402A (UTILINER/BUSINESSLINER)**
**STANDARD DE-ICE BOOTS**

POSITION ID	GOODRICH PART NUMBER	AIRCRAFT OEM P/N	DESCRIPTION	QTY PER AIRCRAFT	WT
1	23S-2010-1-1	0820517-9	NACELLE-TIP LH DE-ICE BOOT	1	4.6
2	23S-2010-1-2	0820517-10	NACELLE-TIP RH DE-ICE BOOT	1	4.7
3	29S5D2074-2-1		HORIZONTAL STABILIZER LH/RH TTS DE-ICE BOOT	2	3.7
4	29S5D2074-3-1		VERTICAL STABILIZER TTS DE-ICE BOOT	1	1.5

TYPE 29 SEWN DE-ICER PROVIDES HIGHER DURABILITY THAN TYPE 23 TUBE TYPE DESIGN

**SUPERSEDED STANDARD DE-ICE BOOTS**

POSITION ID	GOODRICH PART NUMBER	AIRCRAFT OEM P/N	DESCRIPTION	QTY PER AIRCRAFT	WT
3	23S-2074-2-1		HORIZONTAL STABILIZER LH/RH DE-ICE BOOT (SUPERSEDED BY P/N 29S5D2074-2-1)	2	3.7
4	23S-2074-3-1		VERTICAL STABILIZER DE-ICE BOOT (SUPERSEDED BY P/N 29S5D2074-3-1)	1	1.5

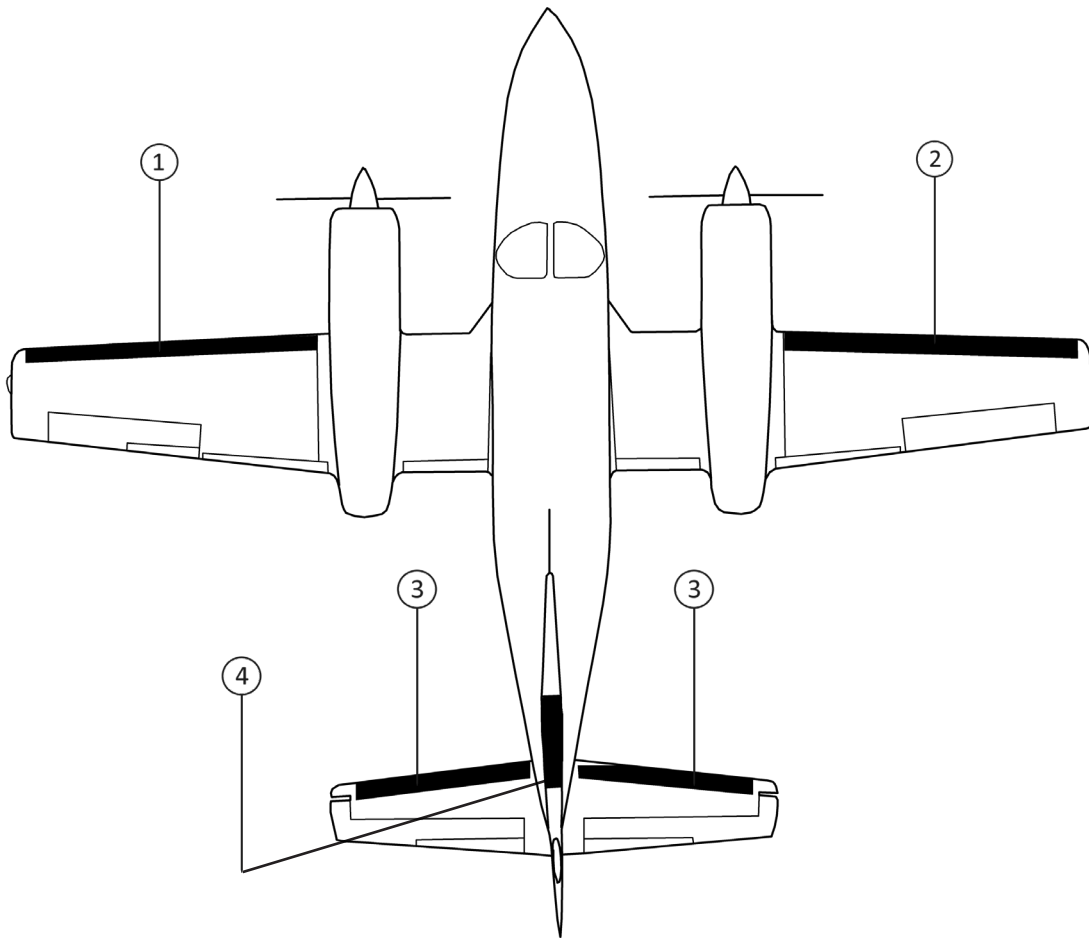
**FASTboot® DE-ICE BOOTS**

POSITION ID	GOODRICH PART NUMBER	AIRCRAFT OEM P/N	DESCRIPTION	QTY PER AIRCRAFT	WT
3	P29S5D2074-2-1		HORIZONTAL STABILIZER LH/RH TTS DE-ICE BOOT	2	3.7
4	P29S5D2074-3-1		VERTICAL STABILIZER TTS DE-ICE BOOT	1	1.5

**CESSNA 402A (UTILINER/BUSINESSLINER)**

**CESSNA 402A (UTILINER/BUSINESSLINER)**

**CESSNA 402A (UTILINER/BUSINESSLINER)**



**CESSNA 402B (UTILINER/BUSINESSLINER) S/N TO 402B0800**
**STANDARD DE-ICE BOOTS**

POSITION ID	GOODRICH PART NUMBER	AIRCRAFT OEM P/N	DESCRIPTION	QTY PER AIRCRAFT	WT
1	23S-2010-1-1	0820517-9	NACELLE-TIP LH DE-ICE BOOT	1	4.6
2	23S-2010-1-2	0820517-10	NACELLE-TIP RH DE-ICE BOOT	1	4.7
3	29S5D2074-2-1		HORIZONTAL STABILIZER LH/RH TTS DE-ICE BOOT	2	3.7
4	29S5D2074-3-1		VERTICAL STABILIZER TTS DE-ICE BOOT	1	1.5

TYPE 29 SEWN DE-ICER PROVIDES HIGHER DURABILITY THAN TYPE 23 TUBE TYPE DESIGN

**SUPERSEDED STANDARD DE-ICE BOOTS**

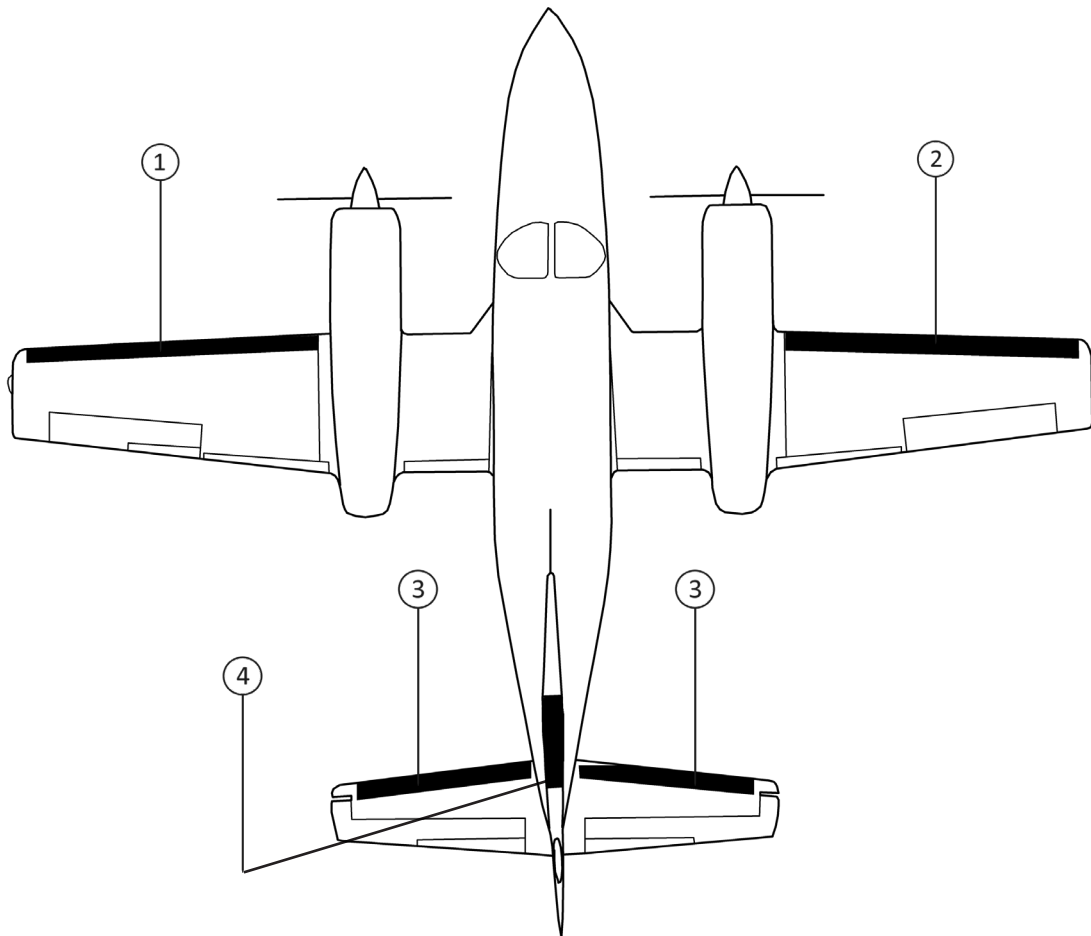
POSITION ID	GOODRICH PART NUMBER	AIRCRAFT OEM P/N	DESCRIPTION	QTY PER AIRCRAFT	WT
3	23S-2074-2-1		HORIZONTAL STABILIZER LH/RH DE-ICE BOOT (SUPERSEDED BY P/N 29S5D2074-2-1)	2	3.7
4	23S-2074-3-1		VERTICAL STABILIZER DE-ICE BOOT (SUPERSEDED BY P/N 29S5D2074-3-1)	1	1.5

**FASTboot® DE-ICE BOOTS**

POSITION ID	GOODRICH PART NUMBER	AIRCRAFT OEM P/N	DESCRIPTION	QTY PER AIRCRAFT	WT
3	P29S5D2074-2-1		FASTBOOT® HORIZONTAL STABILIZER LH/RH TTS DE-ICE BOOT	2	3.7
4	P29S5D2074-3-1		FASTBOOT® VERTICAL STABILIZER TTS DE-ICE BOOT	1	1.5

**CESSNA 402B (UTILINER/BUSINESSLINER) S/N TO 402B0800**

**CESSNA 402B (UTILINER/BUSINESSLINER) S/N TO 402B0800**



**CESSNA 402B (UTILINER/BUSINESSLINER) S/N TO 402B0800**

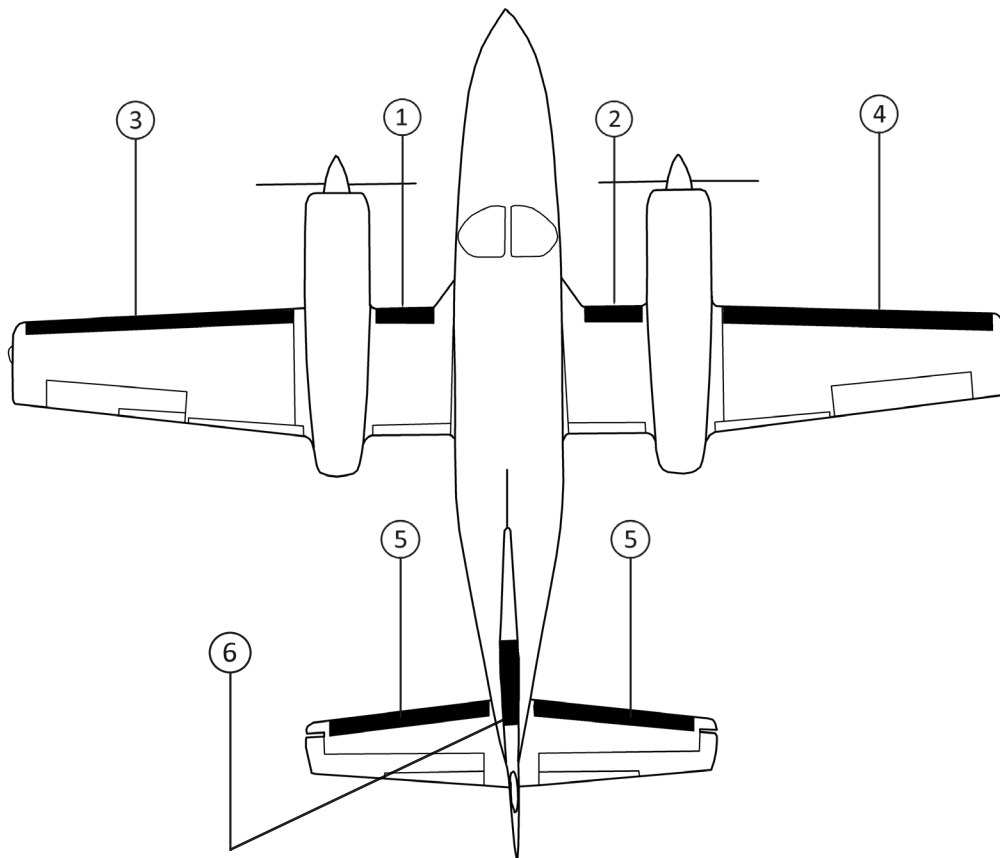


**CESSNA 402B (UTILINER/BUSINESSLINER) S/N 402B801 UP**
**STANDARD DE-ICE BOOTS**

POSITION ID	GOODRICH PART NUMBER	AIRCRAFT OEM P/N	DESCRIPTION	QTY PER AIRCRAFT	WT
1	27S-7D5070-05		FUSELAGE-NACELLE LH DE-ICE BOOT	1	1.6
2	27S-7D5070-06		FUSELAGE-NACELLE RH DE-ICE BOOT	1	1.6
3	27S-7D5070-03		NACELLE-TIP LH DE-ICE BOOT	1	3.3
4	27S-7D5070-04		NACELLE-TIP RH DE-ICE BOOT	1	3.3
5	27S-7D5070-11		HORIZONTAL STABILIZER LH/RH DE-ICE BOOT	2	2.2
6	27S-7D5070-13		VERTICAL STABILIZER DE-ICE BOOT	1	1.2

**FASTboot® DE-ICE BOOTS**

POSITION ID	GOODRICH PART NUMBER	AIRCRAFT OEM P/N	DESCRIPTION	QTY PER AIRCRAFT	WT
1	P27S-7D5070-05		FASTBOOT® FUSELAGE-NACELLE LH DE-ICE BOOT	1	1.6
2	P27S-7D5070-06		FASTBOOT® FUSELAGE-NACELLE RH DE-ICE BOOT	1	1.6
3	P27S-7D5070-03		FASTBOOT® NACELLE-TIP LH DE-ICE BOOT	1	3.3
4	P27S-7D5070-04		FASTBOOT® NACELLE-TIP RH DE-ICE BOOT	1	3.3
5	P27S-7D5070-11		FASTBOOT® HORIZONTAL STABILIZER LH/RH DE-ICE BOOT	2	2.2
6	P27S-7D5070-13		FASTBOOT® VERTICAL STABILIZER DE-ICE BOOT	1	1.2


**CESSNA 402B (UTILINER/BUSINESSLINER) S/N 402B801 UP**

## De-ice boot care products



Aerospace Protectant™ (32 fl. oz.) P/N 74-451-237-32

### Goodrich® Aerospace Protectant™

- Approved for use on all Goodrich de-icers
- Near 100 percent prevention of UV-caused slow fade
- Resistance to dust, soiling and staining
- Water-based formula is environmentally friendly
- Apply as needed – no surface stripping required



Aerospace Cleaner™ (32 fl. oz.) P/N 74-451-238-32

### Goodrich® Aerospace Cleaner™

- Approved for use on all Goodrich de-icers
- Can be used on all water-safe materials
- Water-based formula is environmentally friendly
- Apply as needed – no surface stripping required
- Great for removing dirt, grime and bugs

**DE-ICER PATCHES  
AND PIN HOLE KITS  
ALSO AVAILABLE**



AgeMaster® #1 P/N 74-451-127

### AgeMaster® #1

- Rubber preservative that protects against weathering, ozone and ultraviolet rays
- Apply six months after new de-icer is installed
- Reapply every 150 flight hours (twice yearly)
- One quart covers approximately 90 sq. ft. (8.3 sq. m.)



ICEX®II - 6oz  
ICEX®II - Pump  
ICEX®II - Quart

### ICEX®II

- Ice adhesion inhibitor that enhances de-icer performance
- Apply every 50 flight hours during icing season
- One quart covers approximately 400 sq. ft. (37 sq. m)



ShineMaster™ Prep P/N 74-451-179  
ShineMaster™ P/N 74-451-178

### ShineMaster™

- Cosmetic coating that provides a high-luster shine
- Clean de-icer with ShineMaster Prep before applying 2-3 light coats
- One pint covers approximately 200 sq. ft. (18.6 sq. m)
- Reapply as desired

Specifications subject to change without notice.

**CESSNA 402C (UTILINER/BUSINESSLINER)**
**STANDARD DE-ICE BOOTS**

POSITION ID	GOODRICH PART NUMBER	AIRCRAFT OEM P/N	DESCRIPTION	QTY PER AIRCRAFT	WT
1	27S-7D5070-41		INBOARD WING LH DE-ICE BOOT	1	1.5
2	27S-7D5070-42		INBOARD WING RH DE-ICE BOOT	1	1.5
3	27S-7D5070-37		NACELLE-TIP LH DE-ICE BOOT	1	4.7
4	27S-7D5070-38		NACELLE-TIP RH DE-ICE BOOT	1	4.7
5	27S-7D5070-11		HORIZONTAL STABILIZER LH/RH DE-ICE BOOT	2	2.2
6	27S-7D5070-14		VERTICAL STABILIZER DE-ICE BOOT	1	1.5

**OPTIONAL STANDARD DE-ICE BOOTS**

POSITION ID	GOODRICH PART NUMBER	AIRCRAFT OEM P/N	DESCRIPTION	QTY PER AIRCRAFT	WT
3	27S-7D5070-59		NACELLE-TIP LH DE-ICE BOOT	1	4.7
4	27S-7D5070-60		NACELLE-TIP RH DE-ICE BOOT	1	4.7

\*FOR AIRCRAFT EQUIPPED WITH WING TIP RECOGNITION LIGHTS

**FASTboot® DE-ICE BOOTS**

POSITION ID	GOODRICH PART NUMBER	AIRCRAFT OEM P/N	DESCRIPTION	QTY PER AIRCRAFT	WT
1	P27S-7D5070-41		FASTBOOT® INBOARD WING LH DE-ICE BOOT	1	1.5
2	P27S-7D5070-42		FASTBOOT® INBOARD WING RH DE-ICE BOOT	1	1.5
3	P27S-7D5070-37		FASTBOOT® NACELLE-TIP LH DE-ICE BOOT	1	4.7
4	P27S-7D5070-38		FASTBOOT® NACELLE-TIP RH DE-ICE BOOT	1	4.7
5	P27S-7D5070-11		FASTBOOT® HORIZONTAL STABILIZER LH/RH DE-ICE BOOT	2	2.2
6	P27S-7D5070-14		FASTBOOT® VERTICAL STABILIZER DE-ICE BOOT	1	1.5

**OPTIONAL FASTboot® DE-ICE BOOTS**

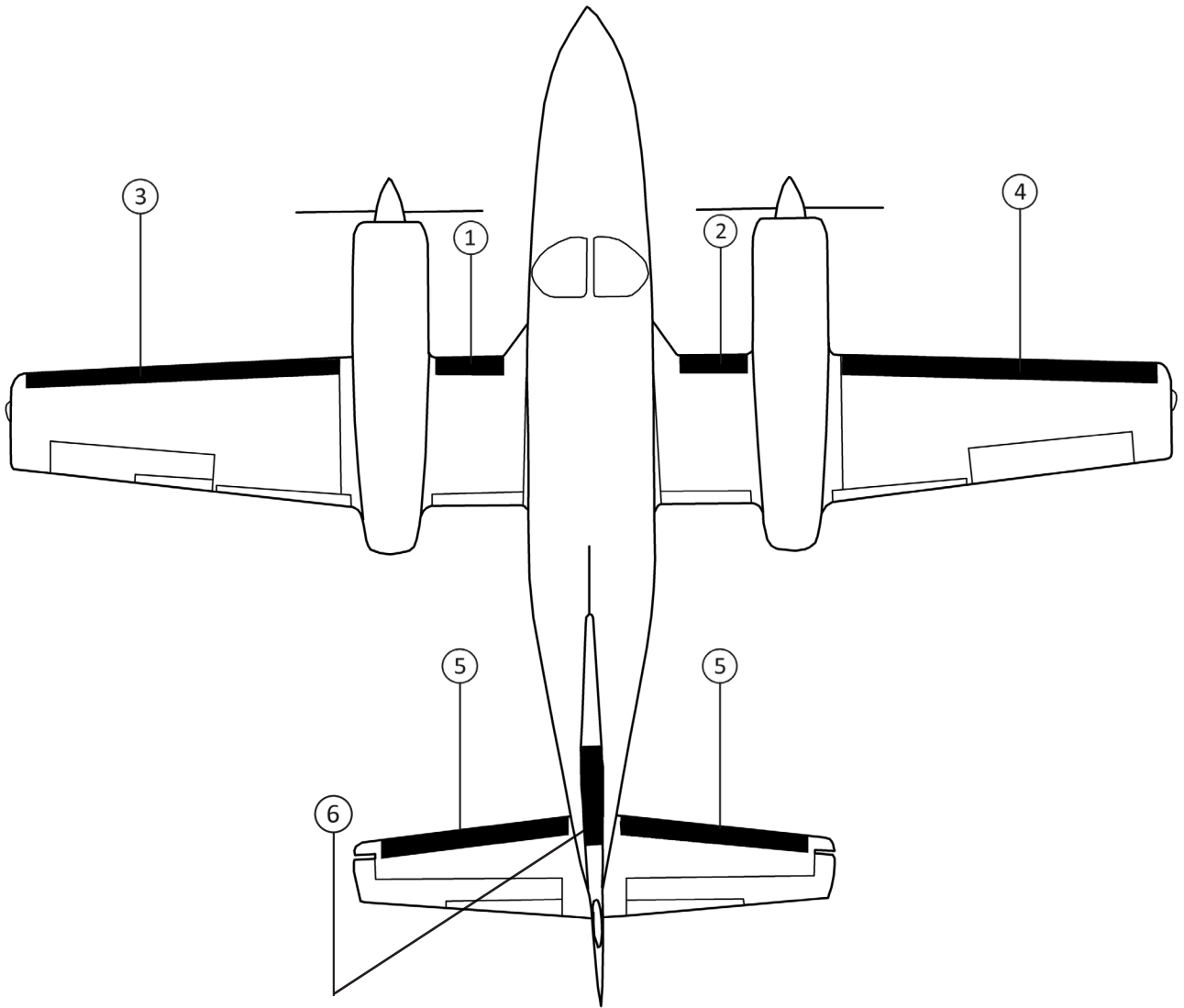
POSITION ID	GOODRICH PART NUMBER	AIRCRAFT OEM P/N	DESCRIPTION	QTY PER AIRCRAFT	WT
3	P27S-7D5070-59*		FASTBOOT® NACELLE-TIP LH DE-ICE BOOT	1	4.7
4	P27S-7D5070-60*		FASTBOOT® NACELLE-TIP RH DE-ICE BOOT	1	4.7

\*FOR AIRCRAFT EQUIPPED WITH WING TIP RECOGNITION LIGHTS

**CESSNA 402C (UTILINER/BUSINESSLINER)**

**CESSNA 402C (UTILINER/BUSINESSLINER)**

**CESSNA 402C (UTILINER/BUSINESSLINER)**



**CESSNA 404 (TITAN) TO S/N 404-0600**
**STANDARD DE-ICE BOOTS**

POSITION ID	GOODRICH PART NUMBER	AIRCRAFT OEM P/N	DESCRIPTION	QTY PER AIRCRAFT	WT
1	27S-7D5070-33	9910277-9	FAIRING LH DE-ICE BOOT	1	1.1
2	27S-7D5070-34	9910277-10	FAIRING RH DE-ICE BOOT	1	1.1
3	27S-7D5070-17	9910277-7	FUSELAGE-NACELLE LH DE-ICE BOOT	1	1.1
4	27S-7D5070-18	9910277-8	FUSELAGE-NACELLE RH DE-ICE BOOT	1	1.1
5	27S-7D5070-39	9910277-13	NACELLE-TIP LH DE-ICE BOOT	1	5.5
6	27S-7D5070-36	9910277-12	NACELLE-TIP RH DE-ICE BOOT	1	5.5
7	27S-7D5070-21	9910277-5	HORIZONTAL STABILIZER LH/RH DE-ICE BOOT	2	2.6
8	27S-7D5070-23	9910277-14	VERTICAL STABILIZER DE-ICE BOOT	1	1.6

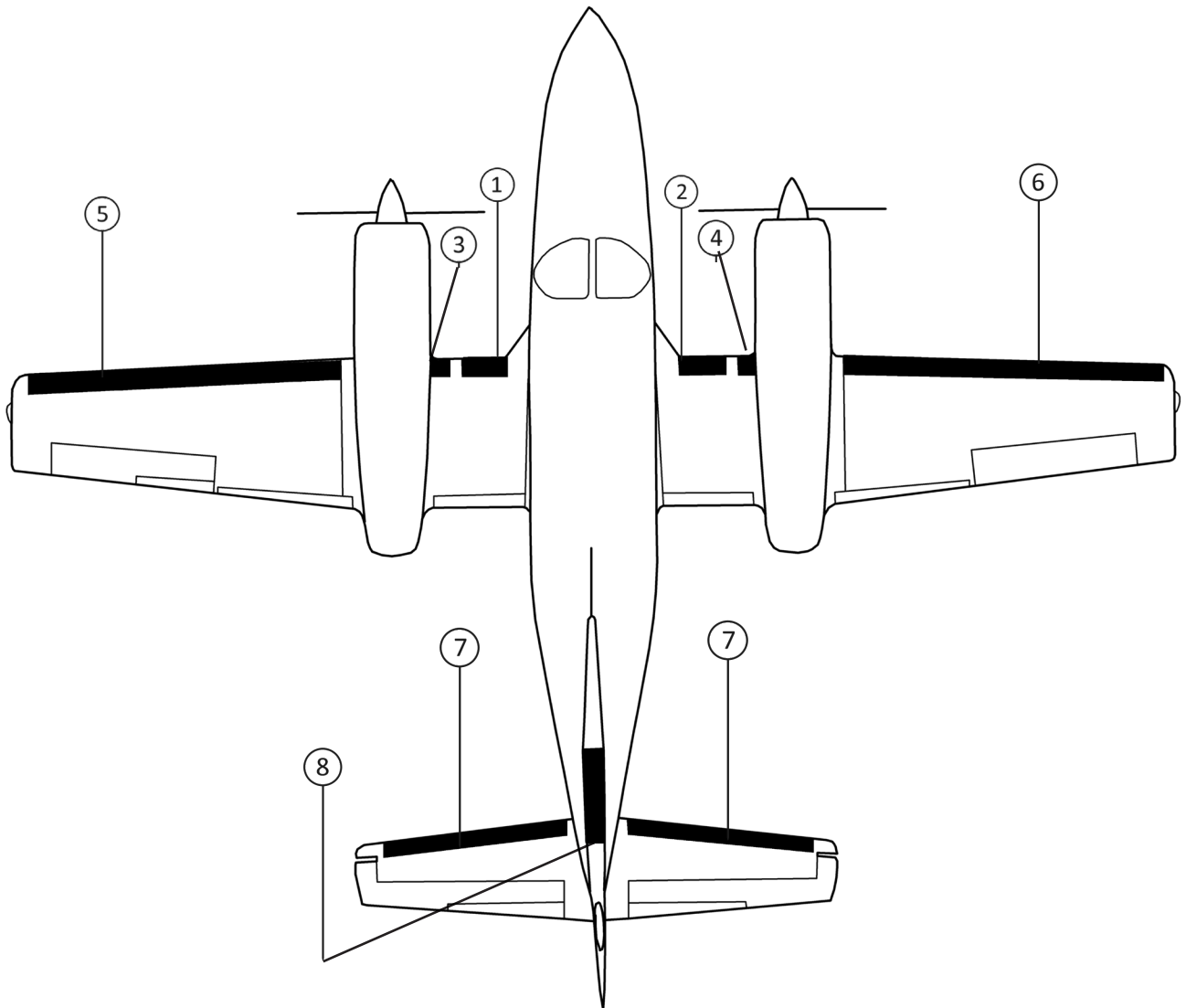
**FASTboot® DE-ICE BOOTS**

POSITION ID	GOODRICH PART NUMBER	AIRCRAFT OEM P/N	DESCRIPTION	QTY PER AIRCRAFT	WT
1	P27S-7D5070-33	9910277-9	FASTBOOT® FAIRING LH DE-ICE BOOT	1	1.1
2	P27S-7D5070-34	9910277-10	FASTBOOT® FAIRING RH DE-ICE BOOT	1	1.1
3	P27S-7D5070-17	9910277-7	FASTBOOT® FUSELAGE-NACELLE LH DE-ICE BOOT	1	1.1
4	P27S-7D5070-18	9910277-8	FASTBOOT® FUSELAGE-NACELLE RH DE-ICE BOOT	1	1.1
5	P27S-7D5070-39	9910277-13	FASTBOOT® NACELLE-TIP LH DE-ICE BOOT	1	5.5
6	P27S-7D5070-36	9910277-12	FASTBOOT® NACELLE-TIP RH DE-ICE BOOT	1	5.5
7	P27S-7D5070-21	9910277-5	FASTBOOT® HORIZONTAL STABILIZER LH/RH DE-ICE BOOT	2	2.6
8	P27S-7D5070-23	9910277-14	FASTBOOT® VERTICAL STABILIZER DE-ICE BOOT	1	1.6

**CESSNA 404 (TITAN) TO S/N 404-0600**

**CESSNA 404 (TITAN) TO S/N 404-0600**

**CESSNA 404 (TITAN) TO S/N 404-0600**



**CESSNA 404 (TITAN) S/N 404-0601 UP**
**STANDARD DE-ICE BOOTS**

POSITION ID	GOODRICH PART NUMBER	AIRCRAFT OEM P/N	DESCRIPTION	QTY PER AIRCRAFT	WT
1	27S-7D5070-33	9910277-9	FAIRING LH DE-ICE BOOT	1	1.1
2	27S-7D5070-34	9910277-10	FAIRING RH DE-ICE BOOT	1	1.1
3	27S-7D5070-17	9910277-7	FUSELAGE-NACELLE LH DE-ICE BOOT	1	1.1
4	27S-7D5070-18	9910277-8	FUSELAGE-NACELLE RH DE-ICE BOOT	1	1.1
5	27S-7D5070-45	9910277-15	NACELLE-TIP LH DE-ICE BOOT	1	6.1
6	27S-7D5070-46	9910277-16	NACELLE-TIP RH DE-ICE BOOT	1	6.1
7	27S-7D5070-21	9910277-5	HORIZONTAL STABILIZER LH/RH DE-ICE BOOT	2	2.6
8	27S-7D5070-23	9910277-14	VERTICAL STABILIZER DE-ICE BOOT	1	1.6

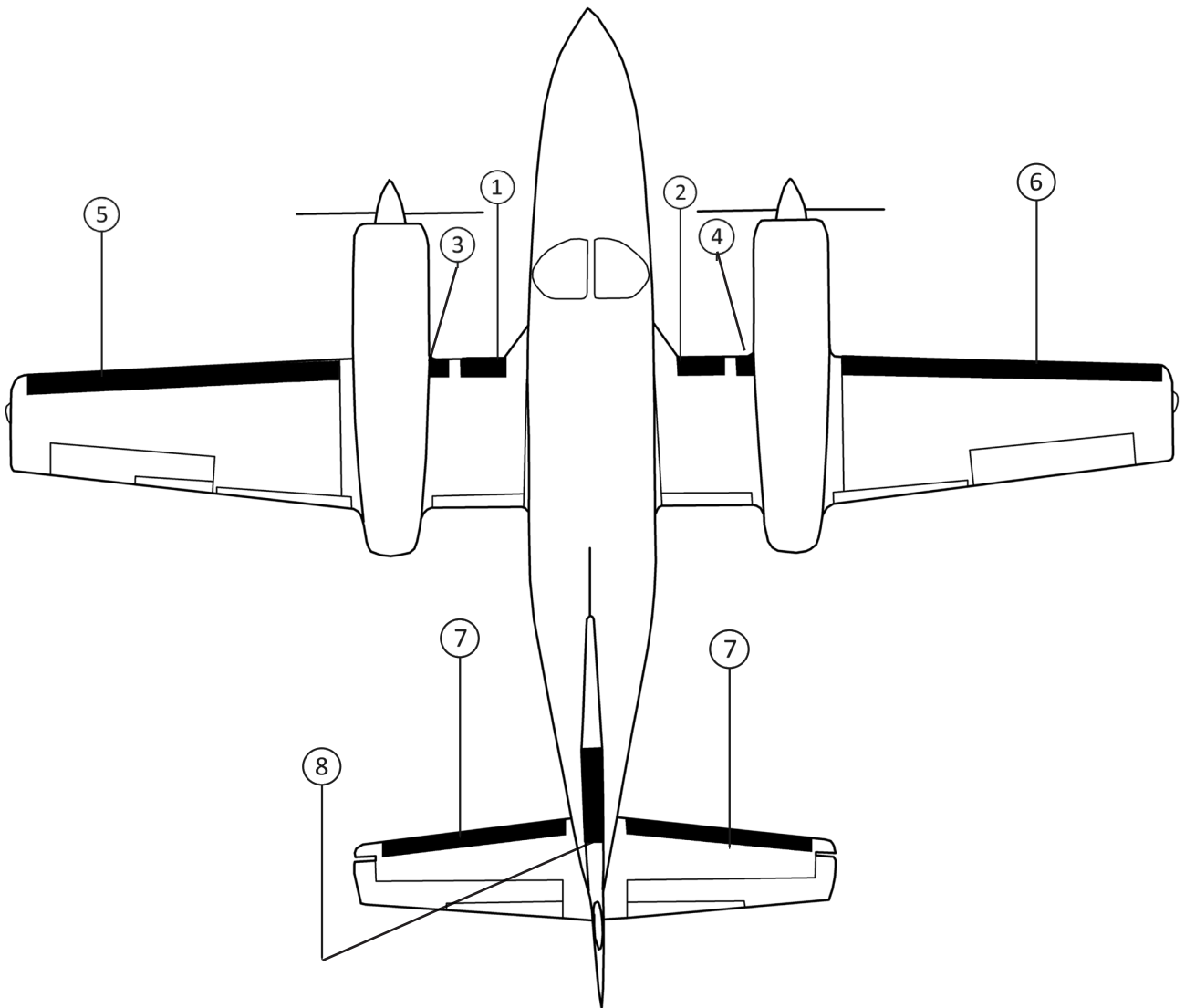
**FASTboot® DE-ICE BOOTS**

POSITION ID	GOODRICH PART NUMBER	AIRCRAFT OEM P/N	DESCRIPTION	QTY PER AIRCRAFT	WT
1	P27S-7D5070-33	9910277-9	FASTBOOT® FAIRING LH DE-ICE BOOT	1	1.1
2	P27S-7D5070-34	9910277-10	FASTBOOT® FAIRING RH DE-ICE BOOT	1	1.1
3	P27S-7D5070-17	9910277-7	FASTBOOT® FUSELAGE-NACELLE LH DE-ICE BOOT	1	1.1
4	P27S-7D5070-18	9910277-8	FASTBOOT® FUSELAGE-NACELLE RH DE-ICE BOOT	1	1.1
5	P27S-7D5070-45	9910277-15	FASTBOOT® NACELLE-TIP LH DE-ICE BOOT	1	6.1
6	P27S-7D5070-46	9910277-16	FASTBOOT® NACELLE-TIP RH DE-ICE BOOT	1	6.1
7	P27S-7D5070-21	9910277-5	FASTBOOT® HORIZONTAL STABILIZER LH/RH DE-ICE BOOT	2	2.6
8	P27S-7D5070-23	9910277-14	FASTBOOT® VERTICAL STABILIZER DE-ICE BOOT	1	1.6

**CESSNA 404 (TITAN) S/N 404-0601 UP**

**CESSNA 404 (TITAN) S/N 404-0601 UP**

**CESSNA 404 (TITAN) S/N 404-0601 UP**





**CESSNA (REIMS) F-406**
**STANDARD DE-ICE BOOTS**

POSITION ID	GOODRICH PART NUMBER	AIRCRAFT OEM P/N	DESCRIPTION	QTY PER AIRCRAFT	WT
1	27S-7D5109-01		FUSELAGE-NACELLE LH DE-ICE BOOT	1	1.9
2	27S-7D5109-02		FUSELAGE-NACELLE RH DE-ICE BOOT	1	1.9
3	28S-7D5109-05		FUSELAGE-NACELLE EXTENSION DE-ICE BOOT	2	0.2
4	27S-7D5172-03		NACELLE-TIP LH DE-ICE BOOT	1	6.8
5	27S-7D5172-04		NACELLE-TIP RH DE-ICE BOOT	1	6.8
6	27S-7D5172-05		HORIZONTAL STABILIZER LH DE-ICE BOOT	1	3.1
7	27S-7D5172-06		HORIZONTAL STABILIZER RH DE-ICE BOOT	1	3.1
8	27S-7D5070-23	9910277-14	VERTICAL STABILIZER DE-ICE BOOT	1	1.6

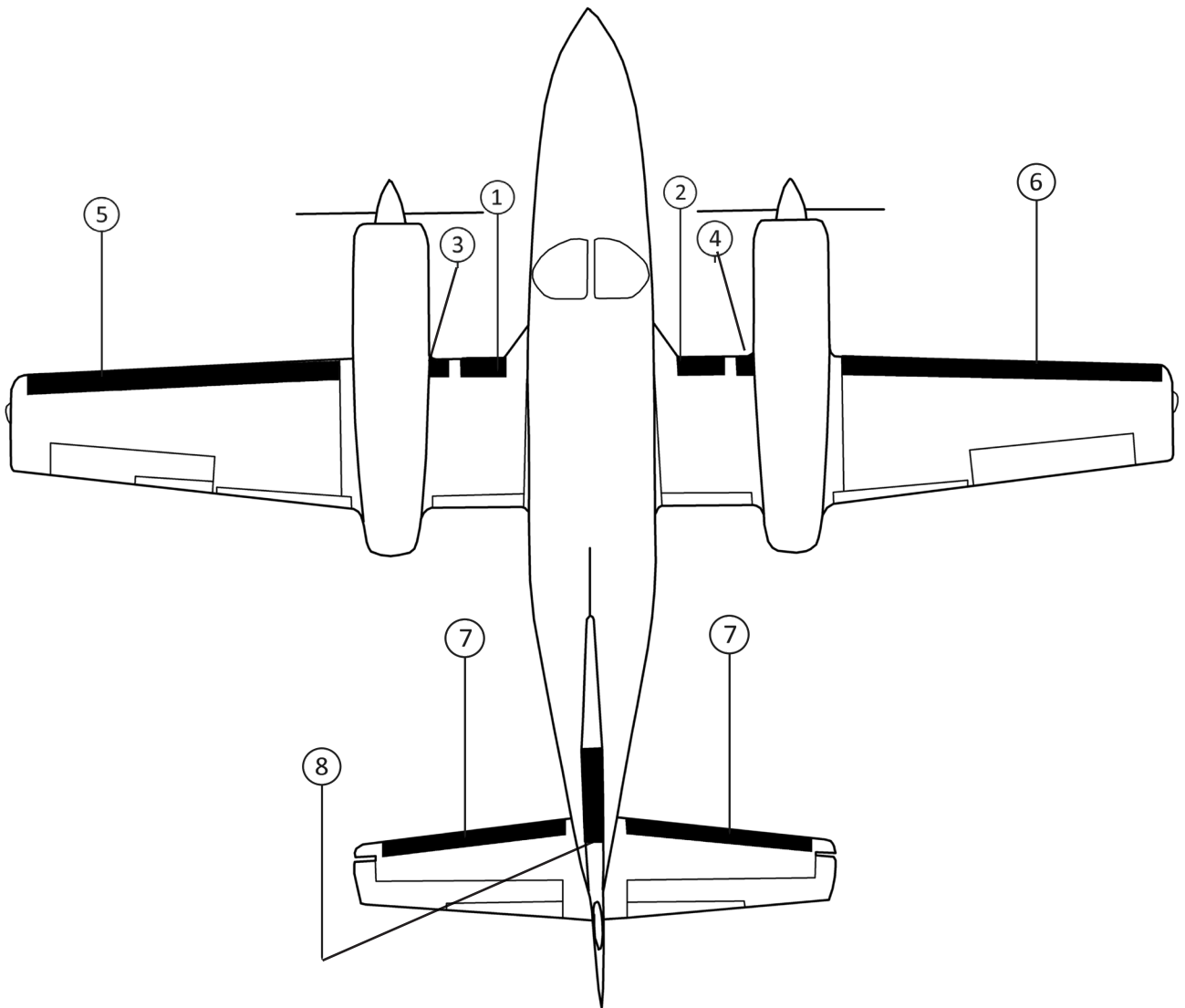
**FASTboot® DE-ICE BOOTS**

POSITION ID	GOODRICH PART NUMBER	AIRCRAFT OEM P/N	DESCRIPTION	QTY PER AIRCRAFT	WT
1	P27S-7D5109-01		FASTBOOT® FUSELAGE-NACELLE LH DE-ICE BOOT	1	1.9
2	P27S-7D5109-02		FASTBOOT® FUSELAGE-NACELLE RH DE-ICE BOOT	1	1.9
3	P28S-7D5109-05		FASTBOOT® FUSELAGE-NACELLE EXTENSION DE-ICE BOOT	2	0.2
4	P27S-7D5172-03		FASTBOOT® NACELLE-TIP LH DE-ICE BOOT	1	6.8
5	P27S-7D5172-04		FASTBOOT® NACELLE-TIP RH DE-ICE BOOT	1	6.8
6	P27S-7D5172-05		FASTBOOT® HORIZONTAL STABILIZER LH DE-ICE BOOT	1	3.1
7	P27S-7D5172-06		FASTBOOT® HORIZONTAL STABILIZER RH DE-ICE BOOT	1	3.1
8	P27S-7D5070-23		FASTBOOT® VERTICAL STABILIZER DE-ICE BOOT	1	1.6

**CESSNA (REIMS) F-406**

**CESSNA (REIMS) F-406**

**CESSNA (REIMS) F-406**



**CESSNA 411**
**CESSNA 411**
**STANDARD DE-ICE BOOTS**

POSITION ID	GOODRICH PART NUMBER	AIRCRAFT OEM P/N	DESCRIPTION	QTY PER AIRCRAFT	WT
1	29S5D2074-1-1		NACELLE-TIP LH TTS DE-ICE BOOT	1	6.0
2	29S5D2074-1-2		NACELLE-TIP RH TTS DE-ICE BOOT	1	6.0
3	29S5D2074-2-1		HORIZONTAL STABILIZER LH/RH TTS DE-ICE BOOT	2	3.7
4	29S5D2074-3-1		VERTICAL STABILIZER TTS DE-ICE BOOT	1	1.5

TYPE 29 SEWN DE-ICER PROVIDES HIGHER DURABILITY THAN TYPE 23 TUBE TYPE DESIGN

**SUPERSEDED STANDARD DE-ICE BOOTS**

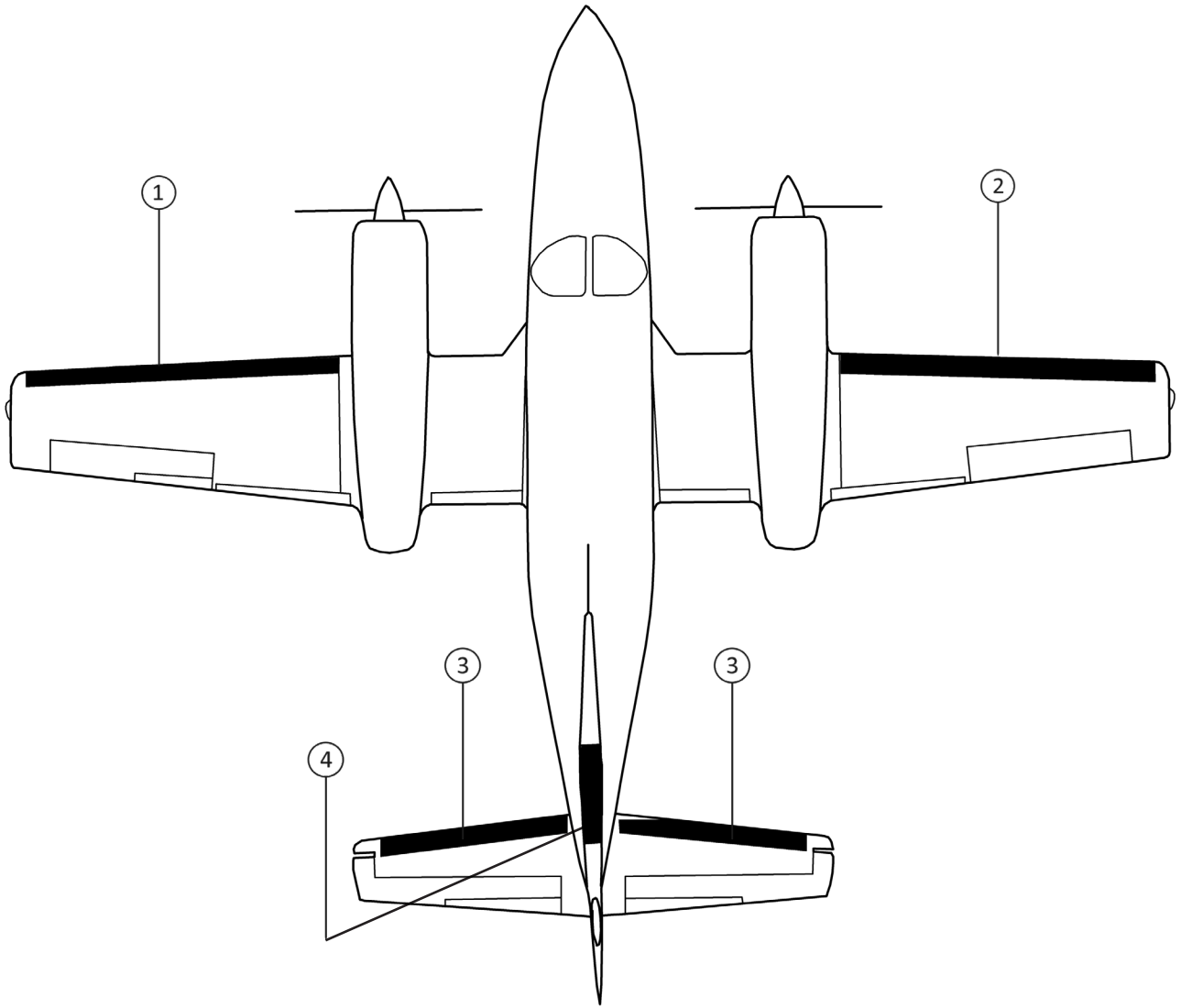
POSITION ID	GOODRICH PART NUMBER	AIRCRAFT OEM P/N	DESCRIPTION	QTY PER AIRCRAFT	WT
1	23S-2074-1-1		NACELLE-TIP LH TTS DE-ICE BOOT (SUPERSEDED BY P/N 29S5D2074-1-1)	1	6.0
2	23S-2074-1-2		NACELLE-TIP RH TTS DE-ICE BOOT (SUPERSEDED BY P/N 29S5D2074-1-2)	1	6.0
3	23S-2074-2-1		HORIZONTAL STABILIZER LH/RH TTS DE-ICE BOOT (SUPERSEDED BY P/N 29S5D2074-2-1)	2	3.7
4	23S-2074-3-1		VERTICAL STABILIZER TTS DE-ICE BOOT (SUPERSEDED BY P/N 29S5D2074-3-1)	1	1.5

**FASTboot® DE-ICE BOOTS**

POSITION ID	GOODRICH PART NUMBER	AIRCRAFT OEM P/N	DESCRIPTION	QTY PER AIRCRAFT	WT
1	P29S5D2074-1-1		FASTBOOT® NACELLE-TIP LH TTS DE-ICE BOOT	1	6.0
2	P29S5D2074-1-2		FASTBOOT® NACELLE-TIP RH TTS DE-ICE BOOT	1	6.0
3	P29S5D2074-2-1		FASTBOOT® HORIZONTAL STABILIZER LH/RH TTS DE-ICE BOOT	2	3.7
4	P29S5D2074-3-1		FASTBOOT® VERTICAL STABILIZER TTS DE-ICE BOOT	1	1.5

**CESSNA 411**

**CESSNA 411**



**CESSNA 414 (CHANCELLOR) S/N TO 414-0600**
**STANDARD DE-ICE BOOTS**

POSITION ID	GOODRICH PART NUMBER	AIRCRAFT OEM P/N	DESCRIPTION	QTY PER AIRCRAFT	WT
1	23S-2010-1-1	0820517-9	NACELLE-TIP LH DE-ICE BOOT	1	4.3
2	23S-2010-1-2	0820517-10	NACELLE-TIP RH DE-ICE BOOT	1	4.4
3	29S5D2074-2-1		HORIZONTAL STABILIZER LH/RH TTS DE-ICE BOOT	2	3.7
4	29S5D2074-3-1		VERTICAL STABILIZER TTS DE-ICE BOOT	1	1.5

TYPE 29 SEWN DE-ICER PROVIDES HIGHER DURABILITY THAN TYPE 23 TUBE TYPE DESIGN

**SUPERSEDED STANDARD DE-ICE BOOTS**

POSITION ID	GOODRICH PART NUMBER	AIRCRAFT OEM P/N	DESCRIPTION	QTY PER AIRCRAFT	WT
3	23S-2074-2-1		HORIZONTAL STABILIZER LH/RH DE-ICE BOOT (SUPERSEDED BY P/N 29S5D2074-2-1)	2	3.7
4	23S-2074-3-1		VERTICAL STABILIZER DE-ICE BOOT (SUPERSEDED BY P/N 29S5D2074-3-1)	1	1.5

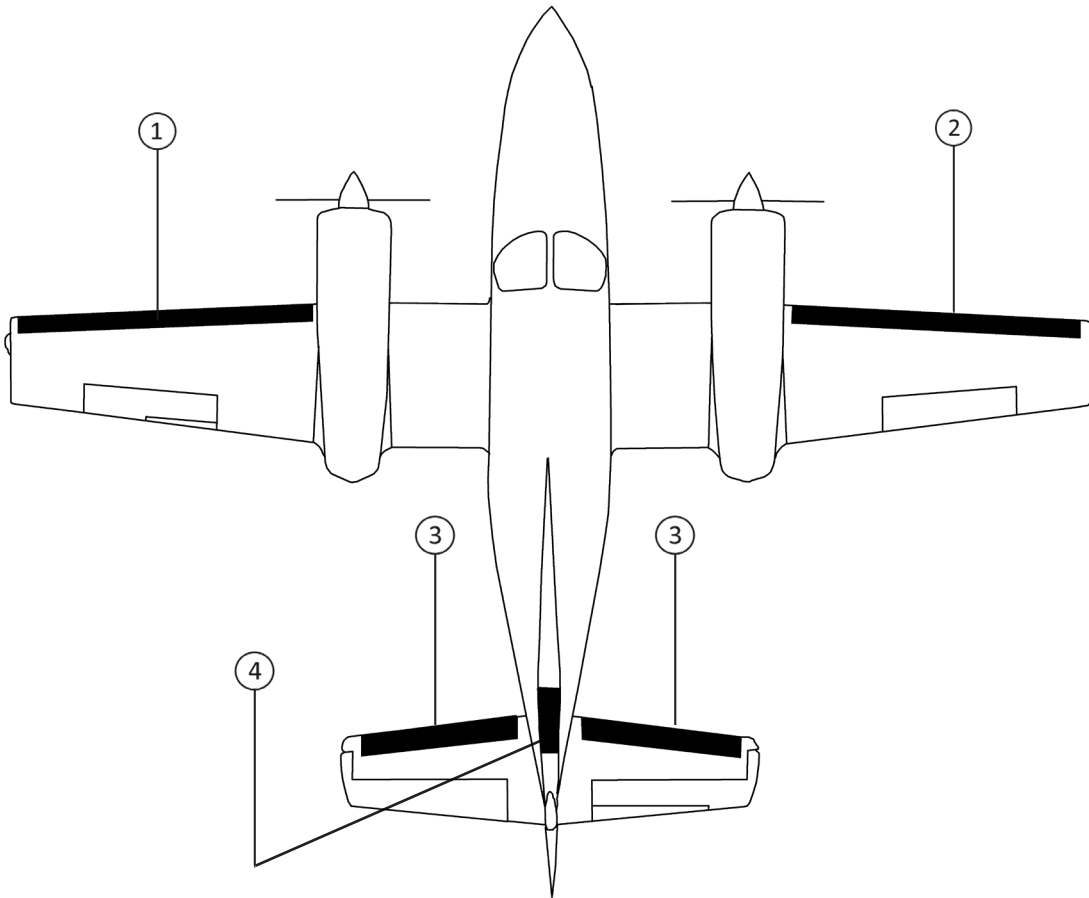
**FASTboot® DE-ICE BOOTS**

POSITION ID	GOODRICH PART NUMBER	AIRCRAFT OEM P/N	DESCRIPTION	QTY PER AIRCRAFT	WT
3	P29S5D2074-2-1		FASTBOOT® HORIZONTAL STABILIZER LH/RH TTS DE-ICE BOOT	2	3.7
4	P29S5D2074-3-1		FASTBOOT® VERTICAL STABILIZER TTS DE-ICE BOOT	1	1.5

**CESSNA 414 (CHANCELLOR) S/N TO 414-0600**

**CESSNA 414 (CHANCELLOR) S/N TO 414-0600**

**CESSNA 414 (CHANCELLOR) S/N TO 414-0600**

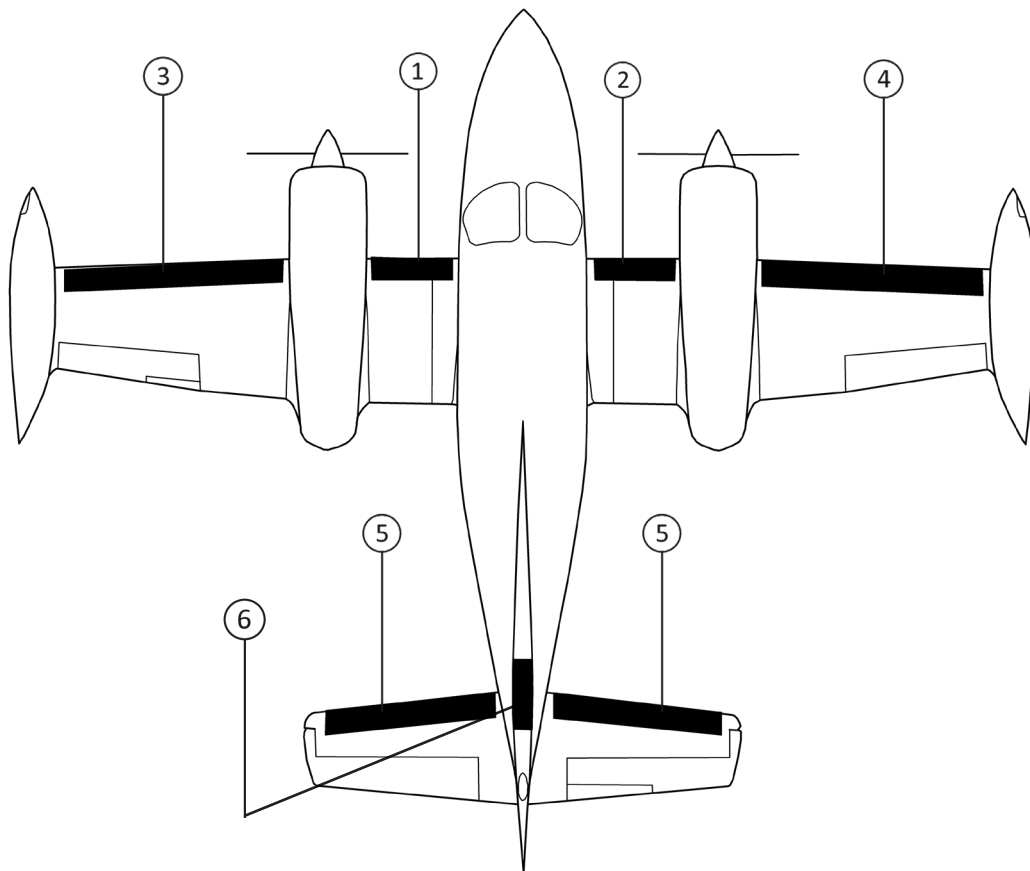


**CESSNA 414 (CHANCELLOR) S/N 414-0601 UP**
**STANDARD DE-ICE BOOTS**

POSITION ID	GOODRICH PART NUMBER	AIRCRAFT OEM P/N	DESCRIPTION	QTY PER AIRCRAFT	WT
1	27S-7D5070-01		FUSELAGE-NACELLE LH DE-ICE BOOT	1	1.3
2	27S-7D5070-02		FUSELAGE-NACELLE RH DE-ICE BOOT	1	1.3
3	27S-7D5070-03		NACELLE-TIP LH DE-ICE BOOT	1	3.3
4	27S-7D5070-04		NACELLE-TIP RH DE-ICE BOOT	1	3.3
5	27S-7D5070-11		HORIZONTAL STABILIZER LH/RH DE-ICE BOOT	2	2.2
6	27S-7D5070-13		VERTICAL STABILIZER DE-ICE BOOT	1	1.2

**FASTboot® DE-ICE BOOTS**

POSITION ID	GOODRICH PART NUMBER	AIRCRAFT OEM P/N	DESCRIPTION	QTY PER AIRCRAFT	WT
1	P27S-7D5070-01		FASTBOOT® FUSELAGE-NACELLE LH DE-ICE BOOT	1	1.3
2	P27S-7D5070-02		FASTBOOT® FUSELAGE-NACELLE RH DE-ICE BOOT	1	1.3
3	P27S-7D5070-03		FASTBOOT® NACELLE-TIP LH DE-ICE BOOT	1	3.3
4	P27S-7D5070-04		FASTBOOT® NACELLE-TIP RH DE-ICE BOOT	1	3.3
5	P27S-7D5070-11		FASTBOOT® HORIZONTAL STABILIZER LH/RH DE-ICE BOOT	2	2.2
6	P27S-7D5070-13		FASTBOOT® VERTICAL STABILIZER DE-ICE BOOT	1	1.2


**CESSNA 414 (CHANCELLOR) S/N 414-0601 UP**

**GOODRICH FASTBOOT® PNEUMATIC DE-ICERS**

# PROVEN PERFORMANCE

## Over 20 years experience manufacturing and installing Pressure Sensitive Adhesive (PSA) de-icers

Collins Aerospace manufactures Goodrich pneumatic de-icing boots with our patented FASTboot adhesive system, which saves you time and improves aircraft readiness.

Goodrich FASTboot pneumatic de-icers take the guess work out of de-icer installation. The pre-applied adhesive provides a smooth and consistent de-icer bond at a fraction of the time needed for application of standard de-icers. Simply add the primer to the clean leading-edge surface and allow a five-minute dry time. Following the approved installation procedure, peel and stick the pneumatic de-icer to the leading edge of your aircraft.

**KEY BENEFITS/FEATURES**

- Reduces installation time
- FASTboot de-icers can be flown immediately
- De-icers can be inflated two hours after installation
- Reduces hazardous waste through pre-applied adhesive
- Initial installation guarantee



**CESSNA 414A (CHANCELLOR) WITHOUT LIGHTS**
**STANDARD DE-ICE BOOTS**

POSITION ID	GOODRICH PART NUMBER	AIRCRAFT OEM P/N	DESCRIPTION	QTY PER AIRCRAFT	WT
1	27S-7D5070-07		FUSELAGE-NACELLE LH DE-ICE BOOT	1	1.2
2	27S-7D5070-08		FUSELAGE-NACELLE RH DE-ICE BOOT	1	1.2
3	27S-7D5070-37		NACELLE-TIP LH DE-ICE BOOT	1	4.7
4	27S-7D5070-38		NACELLE-TIP RH DE-ICE BOOT	1	4.7
5	27S-7D5070-11		HORIZONTAL STABILIZER LH/RH DE-ICE BOOT	2	2.2
6	27S-7D5070-14		VERTICAL STABILIZER DE-ICE BOOT	1	1.5

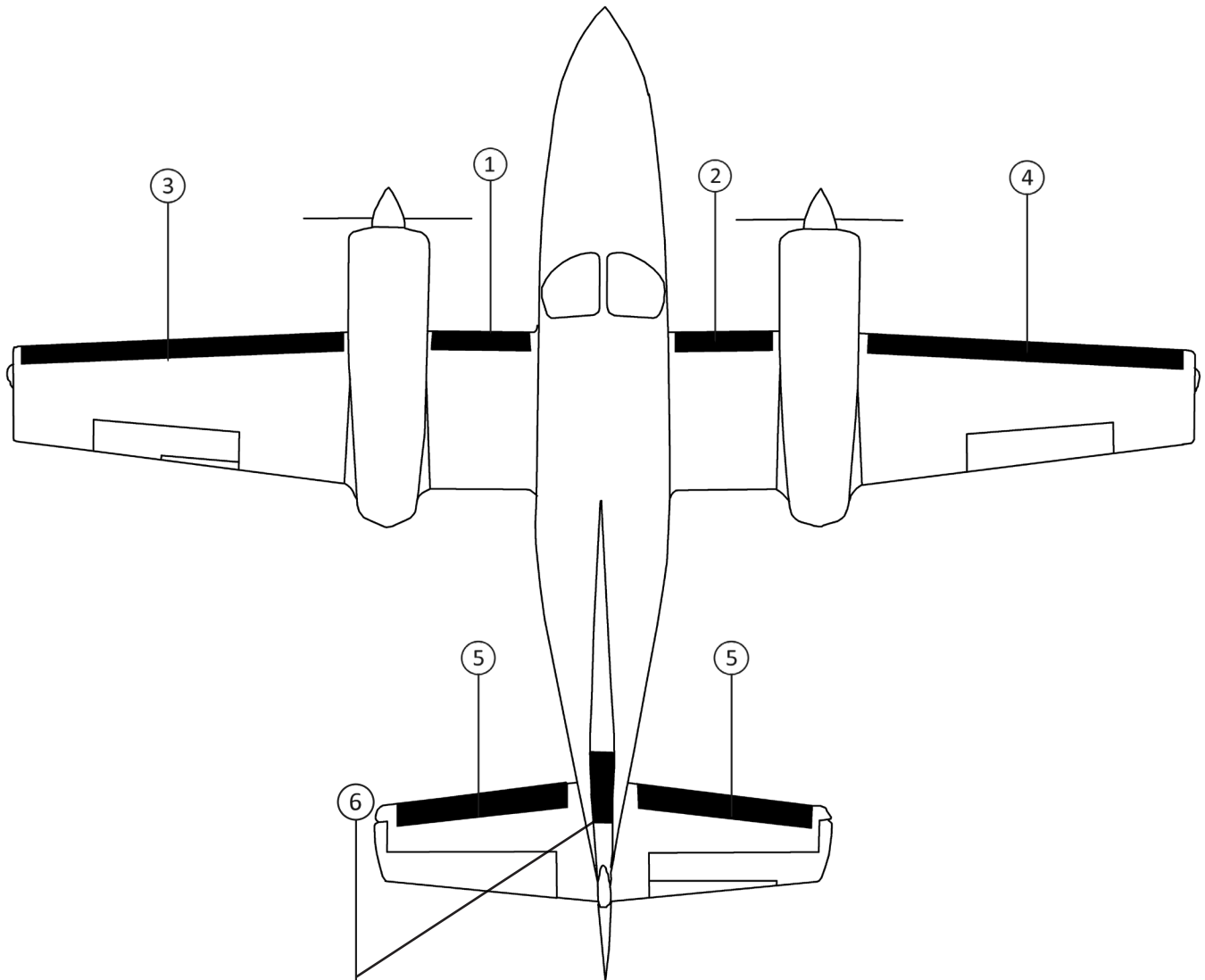
**FASTboot® DE-ICE BOOTS**

POSITION ID	GOODRICH PART NUMBER	AIRCRAFT OEM P/N	DESCRIPTION	QTY PER AIRCRAFT	WT
1	P27S-7D5070-07		FASTBOOT® FUSELAGE-NACELLE LH DE-ICE BOOT	1	1.2
2	P27S-7D5070-08		FASTBOOT® FUSELAGE-NACELLE RH DE-ICE BOOT	1	1.2
3	P27S-7D5070-37		FASTBOOT® NACELLE-TIP LH DE-ICE BOOT	1	4.7
4	P27S-7D5070-38		FASTBOOT® NACELLE-TIP RH DE-ICE BOOT	1	4.7
5	P27S-7D5070-11		FASTBOOT® HORIZONTAL STABILIZER LH/RH DE-ICE BOOT	2	2.2
6	P27S-7D5070-14		FASTBOOT® VERTICAL STABILIZER DE-ICE BOOT	1	1.5

**CESSNA 414A (CHANCELLOR) WITHOUT LIGHTS**

**CESSNA 414A (CHANCELLOR) WITHOUT LIGHTS**

**CESSNA 414A (CHANCELLOR) WITHOUT LIGHTS**



**CESSNA 414A (CHANCELLOR) WITH LIGHTS**
**STANDARD DE-ICE BOOTS**

POSITION ID	GOODRICH PART NUMBER	AIRCRAFT OEM P/N	DESCRIPTION	QTY PER AIRCRAFT	WT
1	27S-7D5070-07		FUSELAGE-NACELLE LH DE-ICE BOOT	1	1.2
2	27S-7D5070-08		FUSELAGE-NACELLE RH DE-ICE BOOT	1	1.2
3	27S-7D5070-59		NACELLE-TIP LH DE-ICE BOOT	1	4.7
4	27S-7D5070-60		NACELLE-TIP RH DE-ICE BOOT	1	4.7
5	27S-7D5070-11		HORIZONTAL STABILIZER LH/RH DE-ICE BOOT	2	2.2
6	27S-7D5070-14		VERTICAL STABILIZER DE-ICE BOOT	1	1.5

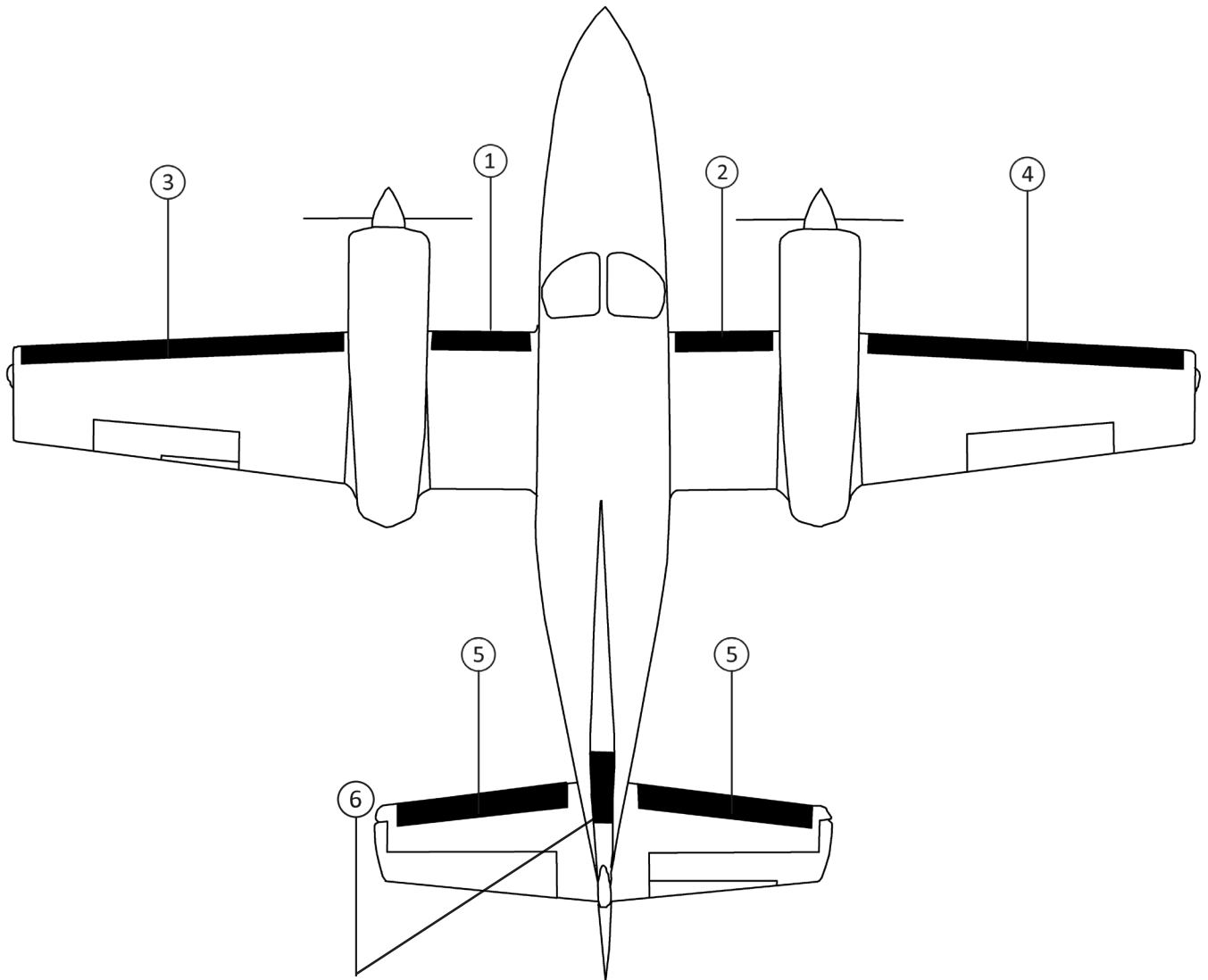
**FASTboot® DE-ICE BOOTS**

POSITION ID	GOODRICH PART NUMBER	AIRCRAFT OEM P/N	DESCRIPTION	QTY PER AIRCRAFT	WT
1	P27S-7D5070-07		FASTBOOT® FUSELAGE-NACELLE LH DE-ICE BOOT	1	1.2
2	P27S-7D5070-08		FASTBOOT® FUSELAGE-NACELLE RH DE-ICE BOOT	1	1.2
3	P27S-7D5070-59		FASTBOOT® NACELLE-TIP LH DE-ICE BOOT	1	4.7
4	P27S-7D5070-60		FASTBOOT® NACELLE-TIP RH DE-ICE BOOT	1	4.7
5	P27S-7D5070-11		FASTBOOT® HORIZONTAL STABILIZER LH/RH DE-ICE BOOT	2	2.2
6	P27S-7D5070-14		FASTBOOT® VERTICAL STABILIZER DE-ICE BOOT	1	1.5

**CESSNA 414A (CHANCELLOR) WITH LIGHTS**

**CESSNA 414A (CHANCELLOR) WITH LIGHTS**

**CESSNA 414A (CHANCELLOR) WITH LIGHTS**



**CESSNA 421 (GOLDEN EAGLE)**
**STANDARD DE-ICE BOOTS**

POSITION ID	GOODRICH PART NUMBER	AIRCRAFT OEM P/N	DESCRIPTION	QTY PER AIRCRAFT	WT
1	29S5D2074-1-1		NACELLE-TIP LH TTS DE-ICE BOOT	1	6.0
2	29S5D2074-1-2		NACELLE-TIP RH TTS DE-ICE BOOT	1	6.0
3	29S5D2074-2-1		HORIZONTAL STABILIZER LH/RH TTS DE-ICE BOOT	2	3.7
4	29S5D2074-3-1		VERTICAL STABILIZER TTS DE-ICE BOOT	1	1.5

TYPE 29 SEWN DE-ICER PROVIDES HIGHER DURABILITY THAN TYPE 23 TUBE TYPE DESIGN

**SUPERSEDED STANDARD DE-ICE BOOTS**

POSITION ID	GOODRICH PART NUMBER	AIRCRAFT OEM P/N	DESCRIPTION	QTY PER AIRCRAFT	WT
1	23S-2074-1-1		NACELLE-TIP LH DE-ICE BOOT (SUPERSEDED BY P/N 29S5D2074-1-1)	1	6.0
2	23S-2074-1-2		NACELLE-TIP RH DE-ICE BOOT (SUPERSEDED BY P/N 29S5D2074-1-2)	1	6.0
3	23S-2074-2-1		HORIZONTAL STABILIZER LH/RH DE-ICE BOOT (SUPERSEDED BY P/N 29S5D2074-2-1)	2	3.7
4	23S-2074-3-1		VERTICAL STABILIZER DE-ICE BOOT (SUPERSEDED BY P/N 29S5D2074-3-1)	1	1.5

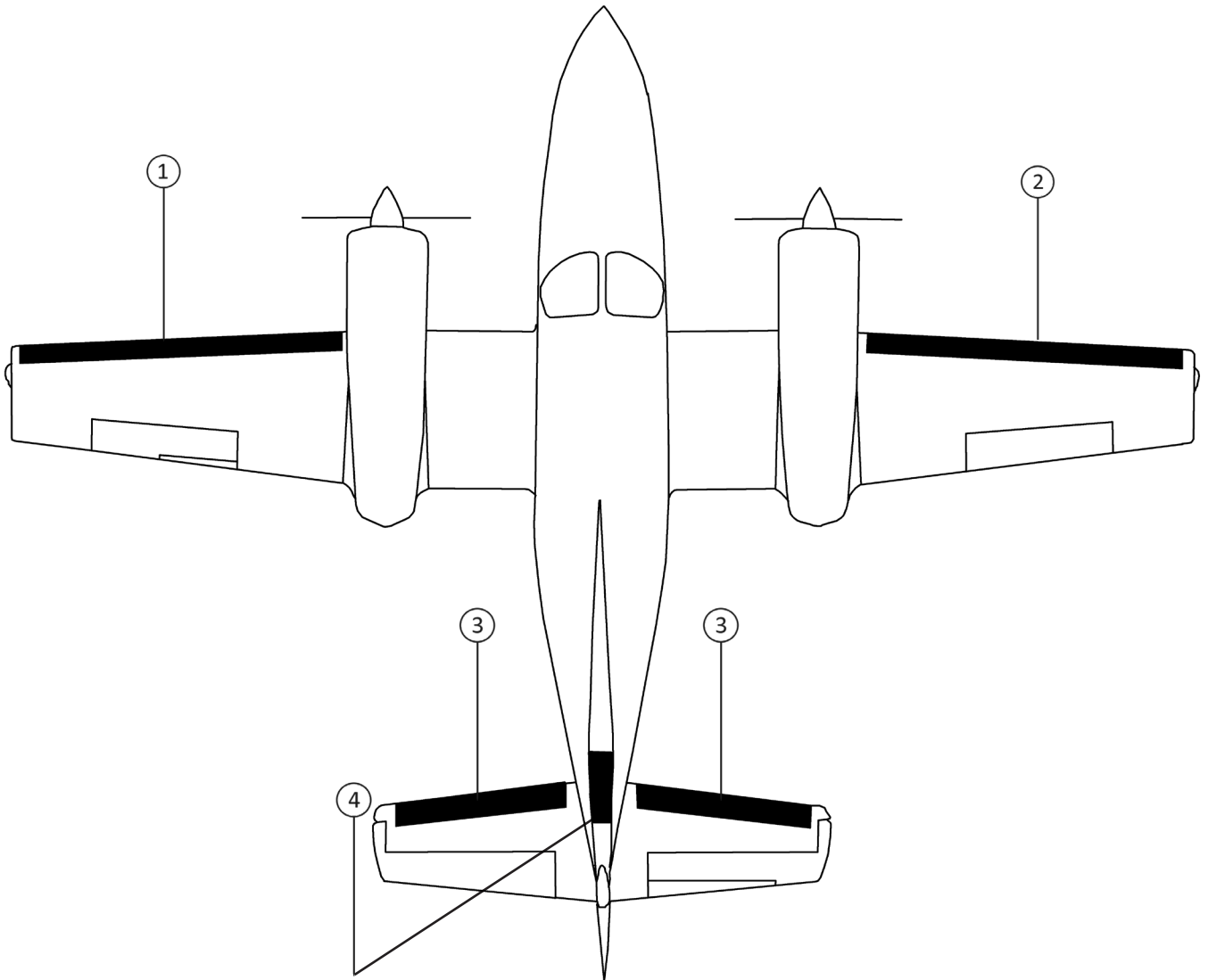
**FASTboot® DE-ICE BOOTS**

POSITION ID	GOODRICH PART NUMBER	AIRCRAFT OEM P/N	DESCRIPTION	QTY PER AIRCRAFT	WT
1	P29S5D2074-1-1		FASTBOOT® NACELLE-TIP LH TTS DE-ICE BOOT	1	6.0
2	P29S5D2074-1-2		FASTBOOT® NACELLE-TIP RH TTS DE-ICE BOOT	1	6.0
3	P29S5D2074-2-1		FASTBOOT® HORIZONTAL STABILIZER LH/RH TTS DE-ICE BOOT	2	3.7
4	P29S5D2074-3-1		FASTBOOT® VERTICAL STABILIZER TTS DE-ICE BOOT	1	1.5

**CESSNA 421 (GOLDEN EAGLE)**

**CESSNA 421 (GOLDEN EAGLE)**

**CESSNA 421 (GOLDEN EAGLE)**



**CESSNA 421A (GOLDEN EAGLE)**
**CESSNA 421A (GOLDEN EAGLE)**
**STANDARD DE-ICE BOOTS**

POSITION ID	GOODRICH PART NUMBER	AIRCRAFT OEM P/N	DESCRIPTION	QTY PER AIRCRAFT	WT
1	29S5D2074-1-1		NACELLE-TIP LH TTS DE-ICE BOOT	1	6.0
2	29S5D2074-1-2		NACELLE-TIP RH TTS DE-ICE BOOT	1	6.0
3	29S5D2074-2-1		HORIZONTAL STABILIZER LH/RH TTS DE-ICE BOOT	2	3.7
4	29S5D2074-3-1		VERTICAL STABILIZER TTS DE-ICE BOOT	1	1.5

TYPE 29 SEWN DE-ICER PROVIDES HIGHER DURABILITY THAN TYPE 23 TUBE TYPE DESIGN

**SUPERSEDED STANDARD DE-ICE BOOTS**

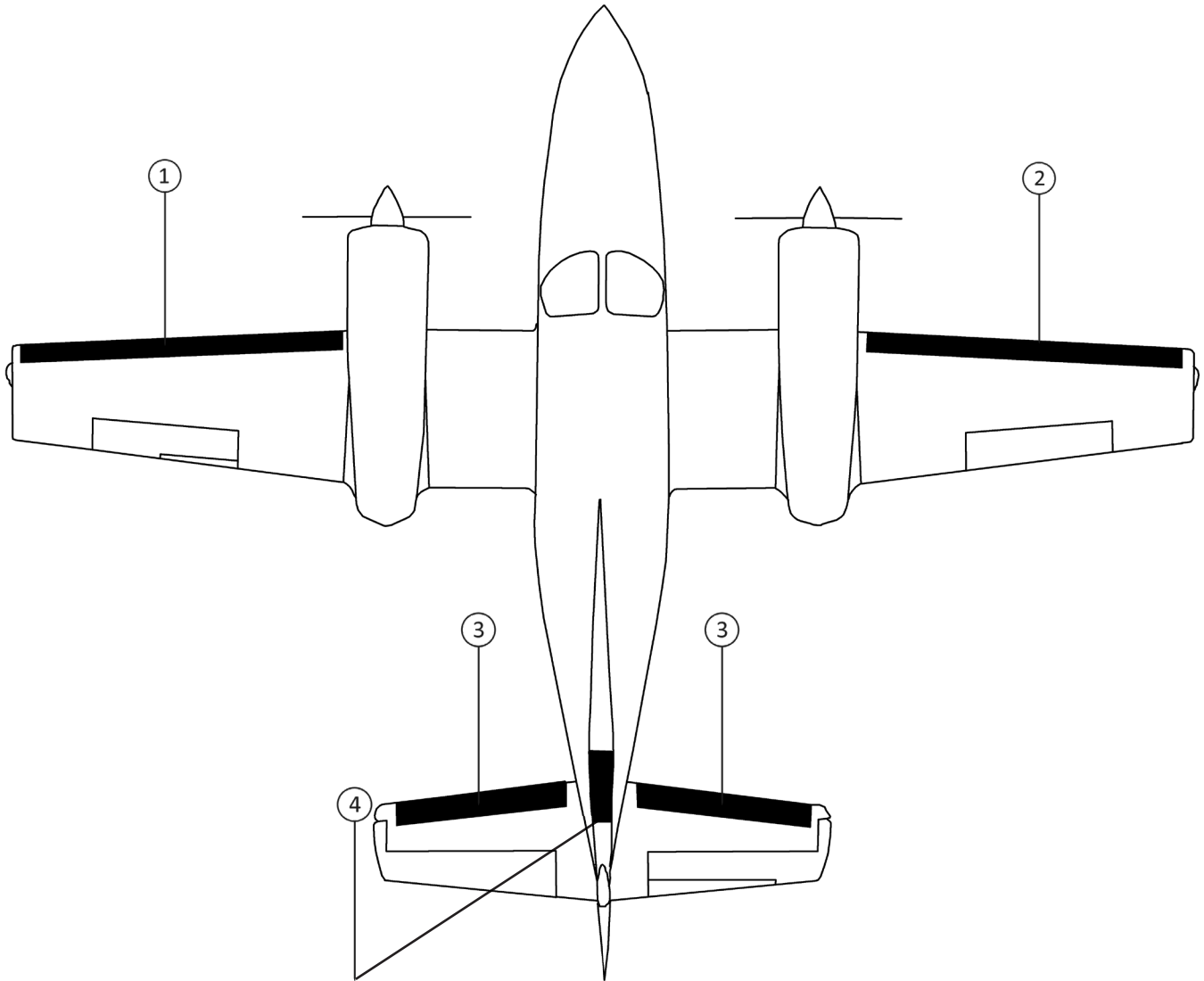
POSITION ID	GOODRICH PART NUMBER	AIRCRAFT OEM P/N	DESCRIPTION	QTY PER AIRCRAFT	WT
1	23S-2074-1-1		NACELLE-TIP LH DE-ICE BOOT (SUPERSEDED BY P/N 29S5D2074-1-1)	1	6.0
2	23S-2074-1-2		NACELLE-TIP RH DE-ICE BOOT (SUPERSEDED BY P/N 29S5D2074-1-2)	1	6.0
3	23S-2074-2-1		HORIZONTAL STABILIZER LH/RH DE-ICE BOOT (SUPERSEDED BY P/N 29S5D2074-2-1)	2	3.7
4	23S-2074-3-1		VERTICAL STABILIZER DE-ICE BOOT (SUPERSEDED BY P/N 29S5D2074-3-1)	1	1.5

**FASTboot® DE-ICE BOOTS**

POSITION ID	GOODRICH PART NUMBER	AIRCRAFT OEM P/N	DESCRIPTION	QTY PER AIRCRAFT	WT
1	P29S5D2074-1-1		FASTBOOT® NACELLE-TIP LH TTS DE-ICE BOOT	1	6.0
2	P29S5D2074-1-2		FASTBOOT® NACELLE-TIP RH TTS DE-ICE BOOT	1	6.0
3	P29S5D2074-2-1		FASTBOOT® HORIZONTAL STABILIZER LH/RH TTS DE-ICE BOOT	2	3.7
4	P29S5D2074-3-1		FASTBOOT® VERTICAL STABILIZER TTS DE-ICE BOOT	1	1.5

**CESSNA 421A (GOLDEN EAGLE)**

**CESSNA 421A (GOLDEN EAGLE)**





**CESSNA 421B (GOLDEN EAGLE) S/N TO 421B0120**
**STANDARD DE-ICE BOOTS**

POSITION ID	GOODRICH PART NUMBER	AIRCRAFT OEM P/N	DESCRIPTION	QTY PER AIRCRAFT	WT
1	29S5D2074-1-1		NACELLE-TIP LH TTS DE-ICE BOOT	1	6.0
2	29S5D2074-1-2		NACELLE-TIP RH TTS DE-ICE BOOT	1	6.0
3	29S5D2074-2-1		HORIZONTAL STABILIZER LH/RH TTS DE-ICE BOOT	2	3.7
4	29S5D2074-3-1		VERTICAL STABILIZER TTS DE-ICE BOOT	1	1.5

TYPE 29 SEWN DE-ICER PROVIDES HIGHER DURABILITY THAN TYPE 23 TUBE TYPE DESIGN

**SUPERSEDED STANDARD DE-ICE BOOTS**

POSITION ID	GOODRICH PART NUMBER	AIRCRAFT OEM P/N	DESCRIPTION	QTY PER AIRCRAFT	WT
1	23S-2074-1-1		NACELLE-TIP LH DE-ICE BOOT (SUPERSEDED BY P/N 29S5D2074-1-1)	1	6.0
2	23S-2074-1-2		NACELLE-TIP RH DE-ICE BOOT (SUPERSEDED BY P/N 29S5D2074-1-2)	1	6.0
3	23S-2074-2-1		HORIZONTAL STABILIZER LH/RH DE-ICE BOOT (SUPERSEDED BY P/N 29S5D2074-2-1)	2	3.7
4	23S-2074-3-1		VERTICAL STABILIZER DE-ICE BOOT (SUPERSEDED BY P/N 29S5D2074-3-1)	1	1.5

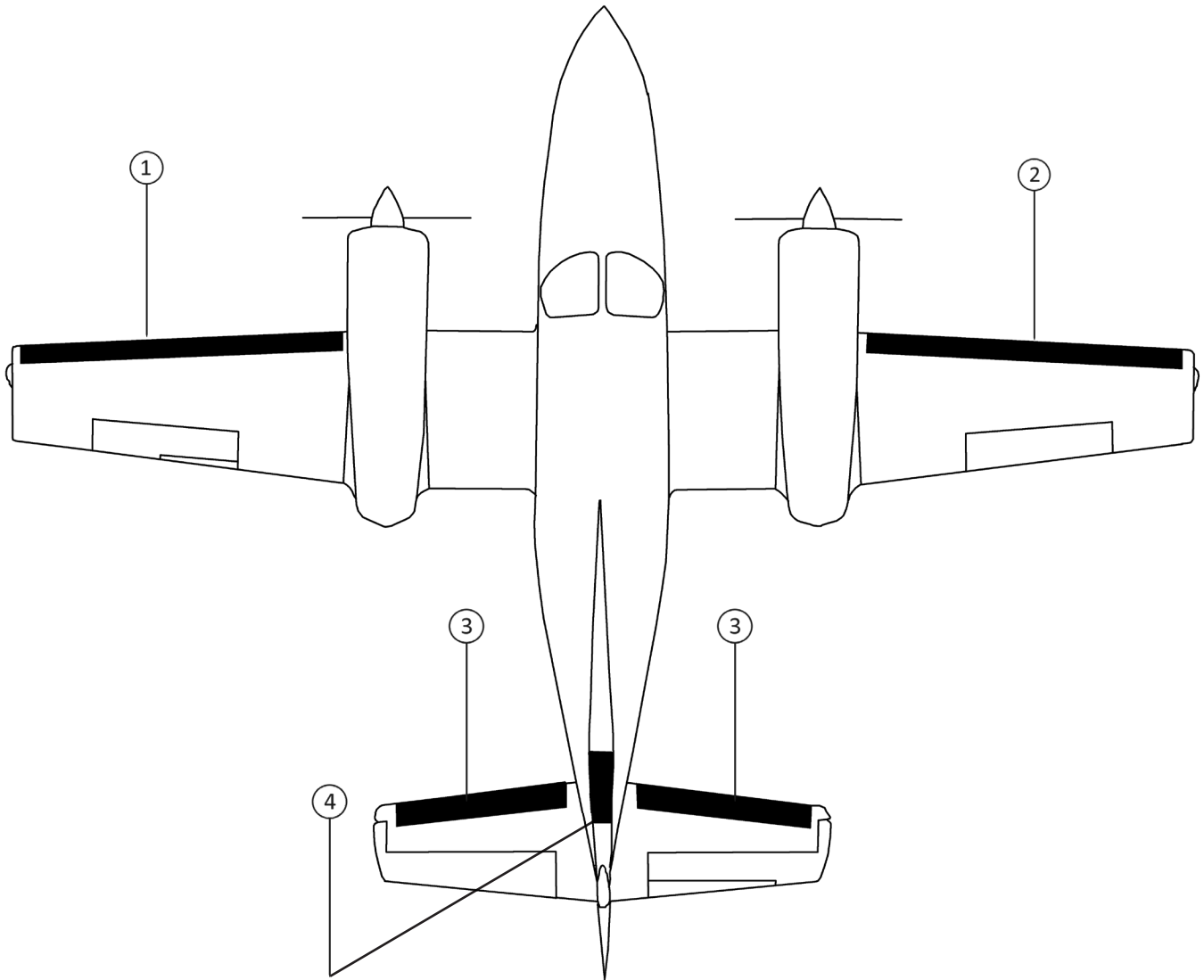
**FASTboot® DE-ICE BOOTS**

POSITION ID	GOODRICH PART NUMBER	AIRCRAFT OEM P/N	DESCRIPTION	QTY PER AIRCRAFT	WT
1	P29S5D2074-1-1		FASTBOOT® NACELLE-TIP LH TTS DE-ICE BOOT	1	6.0
2	P29S5D2074-1-2		FASTBOOT® NACELLE-TIP RH TTS DE-ICE BOOT	1	6.0
3	P29S5D2074-2-1		FASTBOOT® HORIZONTAL STABILIZER LH/RH TTS DE-ICE BOOT	2	3.7
4	P29S5D2074-3-1		FASTBOOT® VERTICAL STABILIZER TTS DE-ICE BOOT	1	1.5

**CESSNA 421B (GOLDEN EAGLE) S/N TO 421B0120**

**CESSNA 421B (GOLDEN EAGLE) S/N TO 421B0120**

**CESSNA 421B (GOLDEN EAGLE) S/N TO 421B0120**



**CESSNA 421B (GOLDEN EAGLE) S/N 421B0121 THRU 421B0800**
**STANDARD DE-ICE BOOTS**

POSITION ID	GOODRICH PART NUMBER	AIRCRAFT OEM P/N	DESCRIPTION	QTY PER AIRCRAFT	WT
1	29S5D2074-4-1		FUSELAGE-NACELLE LH TTS DE-ICE BOOT	1	2.0
2	29S5D2074-4-2		FUSELAGE-NACELLE RH TTS DE-ICE BOOT	1	2.0
3	29S5D2074-1-1		NACELLE-TIP LH TTS DE-ICE BOOT	1	6.0
4	29S5D2074-1-2		NACELLE-TIP RH TTS DE-ICE BOOT	1	6.0
5	29S5D2074-2-1		HORIZONTAL STABILIZER LH/RH TTS DE-ICE BOOT	2	3.7
6	29S5D2074-3-1		VERTICAL STABILIZER TTS DE-ICE BOOT	1	1.5

TYPE 29 SEWN DE-ICER PROVIDES HIGHER DURABILITY THAN TYPE 23 TUBE TYPE DESIGN

**SUPERSEDED STANDARD DE-ICE BOOTS**

POSITION ID	GOODRICH PART NUMBER	AIRCRAFT OEM P/N	DESCRIPTION	QTY PER AIRCRAFT	WT
1	23S-2074-4-1		FUSELAGE-NACELLE LH DE-ICE BOOT (SUPERSEDED BY P/N 29S5D2074-4-1)	1	2.0
2	23S-2074-4-2		FUSELAGE-NACELLE RH DE-ICE BOOT (SUPERSEDED BY P/N 29S5D2074-4-2)	1	2.0
3	23S-2074-1-1		NACELLE-TIP LH DE-ICE BOOT (SUPERSEDED BY P/N 29S5D2074-1-1)	1	6.0
4	23S-2074-1-2		NACELLE-TIP RH DE-ICE BOOT (SUPERSEDED BY P/N 29S5D2074-1-2)	1	6.0
5	23S-2074-2-1		HORIZONTAL STABILIZER LH/RH DE-ICE BOOT (SUPERSEDED BY P/N 29S5D2074-2-1)	2	3.7
6	23S-2074-3-1		VERTICAL STABILIZER DE-ICE BOOT (SUPERSEDED BY P/N 29S5D2074-3-1)	1	1.5

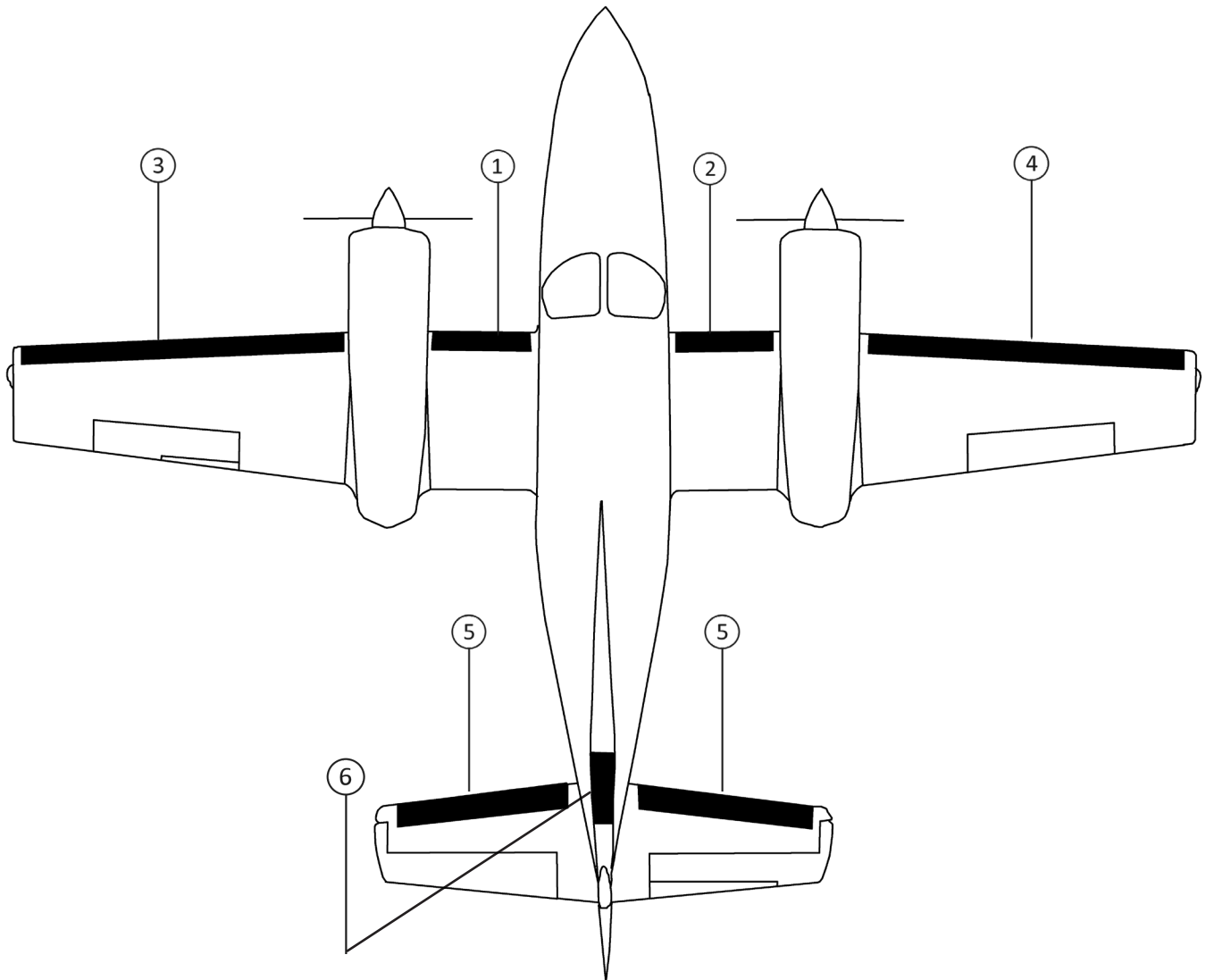
**FASTboot® DE-ICE BOOTS**

POSITION ID	GOODRICH PART NUMBER	AIRCRAFT OEM P/N	DESCRIPTION	QTY PER AIRCRAFT	WT
1	P29S5D2074-4-1		FASTBOOT® FUSELAGE-NACELLE LH TTS DE-ICE BOOT	1	2.0
2	P29S5D2074-4-2		FASTBOOT® FUSELAGE-NACELLE RH TTS DE-ICE BOOT	1	2.0
3	P29S5D2074-1-1		FASTBOOT® NACELLE-TIP LH TTS DE-ICE BOOT	1	6.0
4	P29S5D2074-1-2		FASTBOOT® NACELLE-TIP RH TTS DE-ICE BOOT	1	6.0
5	P29S5D2074-2-1		FASTBOOT® HORIZONTAL STABILIZER LH/RH TTS DE-ICE BOOT	2	3.7
6	P29S5D2074-3-1		FASTBOOT® VERTICAL STABILIZER TTS DE-ICE BOOT	1	1.5

**CESSNA 421B (GOLDEN EAGLE) S/N 421B0121 THRU 421B0800**

**CESSNA 421B (GOLDEN EAGLE) S/N 421B0121 THRU 421B0800**

**CESSNA 421B (GOLDEN EAGLE) S/N 421B0121 THRU 421B0800**



**CESSNA 421B (GOLDEN EAGLE) S/N 421B0801 UP**
**STANDARD DE-ICE BOOTS**

POSITION ID	GOODRICH PART NUMBER	AIRCRAFT OEM P/N	DESCRIPTION	QTY PER AIRCRAFT	WT
1	27S-7D5070-07		FUSELAGE-NACELLE LH DE-ICE BOOT	1	1.2
2	27S-7D5070-08		FUSELAGE-NACELLE RH DE-ICE BOOT	1	1.2
3	27S-7D5070-09		NACELLE-TIP LH DE-ICE BOOT	1	3.2
4	27S-7D5070-10		NACELLE-TIP RH DE-ICE BOOT	1	3.2
5	27S-7D5070-11		HORIZONTAL STABILIZER LH/RH DE-ICE BOOT	2	2.2
6	27S-7D5070-13		VERTICAL STABILIZER DE-ICE BOOT	1	1.2

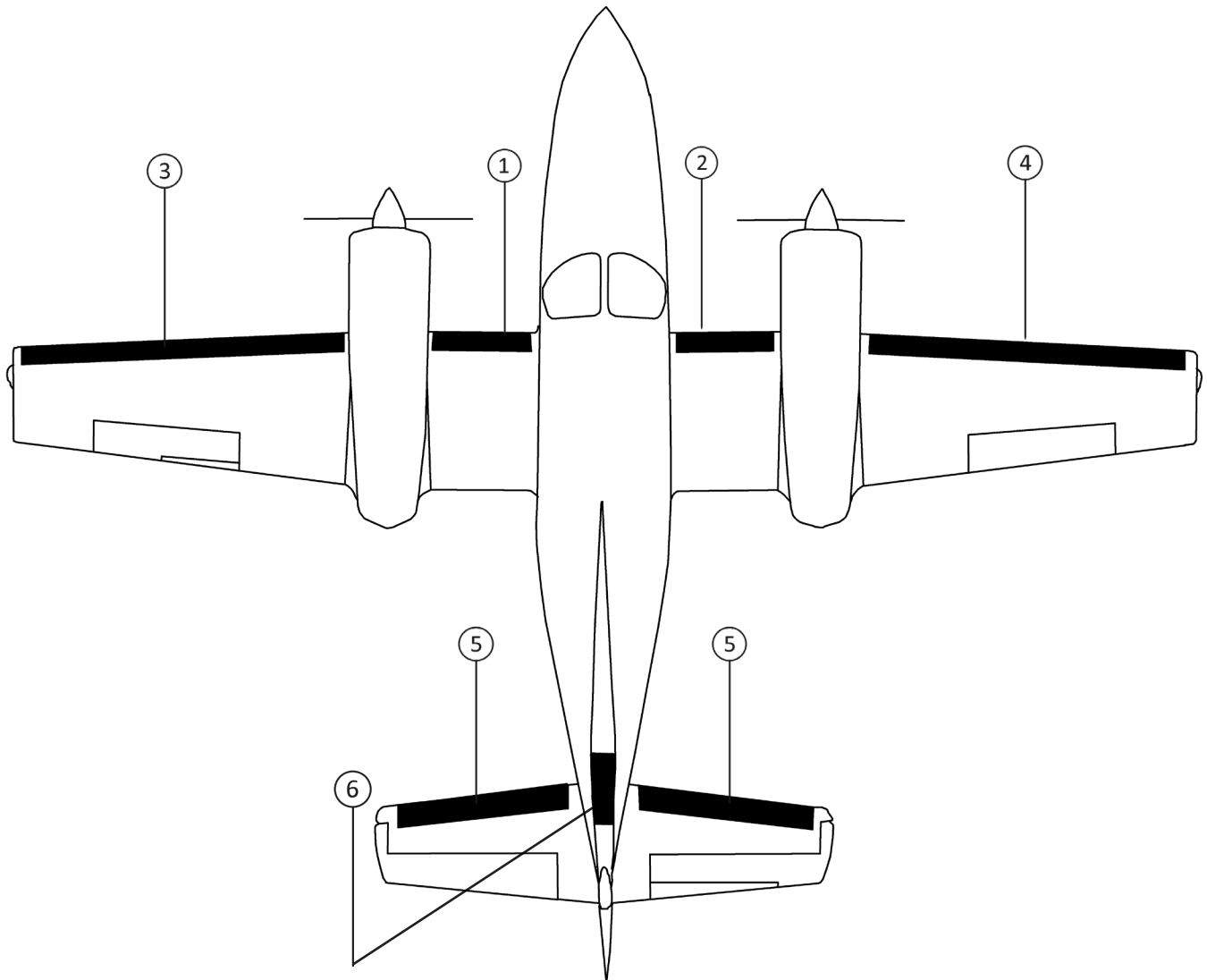
**FASTboot® DE-ICE BOOTS**

POSITION ID	GOODRICH PART NUMBER	AIRCRAFT OEM P/N	DESCRIPTION	QTY PER AIRCRAFT	WT
1	P27S-7D5070-07		FASTBOOT® FUSELAGE-NACELLE LH DE-ICE BOOT	1	1.2
2	P27S-7D5070-08		FASTBOOT® FUSELAGE-NACELLE RH DE-ICE BOOT	1	1.2
3	P27S-7D5070-09		FASTBOOT® NACELLE-TIP LH DE-ICE BOOT	1	3.2
4	P27S-7D5070-10		FASTBOOT® NACELLE-TIP RH DE-ICE BOOT	1	3.2
5	P27S-7D5070-11		FASTBOOT® HORIZONTAL STABILIZER LH/RH DE-ICE BOOT	2	2.2
6	P27S-7D5070-13		FASTBOOT® VERTICAL STABILIZER DE-ICE BOOT	1	1.2

**CESSNA 421B (GOLDEN EAGLE) S/N 421B0801 UP**

**CESSNA 421B (GOLDEN EAGLE) S/N 421B0801 UP**

**CESSNA 421B (GOLDEN EAGLE) S/N 421B0801 UP**



**CESSNA 421C (GOLDEN EAGLE) WITH LIGHTS**
**STANDARD DE-ICE BOOTS**

POSITION ID	GOODRICH PART NUMBER	AIRCRAFT OEM P/N	DESCRIPTION	QTY PER AIRCRAFT	WT
1	27S-7D5070-07		FUSELAGE-NACELLE LH DE-ICE BOOT	1	1.2
2	27S-7D5070-08		FUSELAGE-NACELLE RH DE-ICE BOOT	1	1.2
3	27S-7D5070-57		NACELLE-TIP LH DE-ICE BOOT	1	5.0
4	27S-7D5070-58		NACELLE-TIP RH DE-ICE BOOT	1	5.0
5	27S-7D5070-11		HORIZONTAL STABILIZER LH/RH DE-ICE BOOT	2	2.2
6	27S-7D5070-14		VERTICAL STABILIZER DE-ICE BOOT	1	1.5

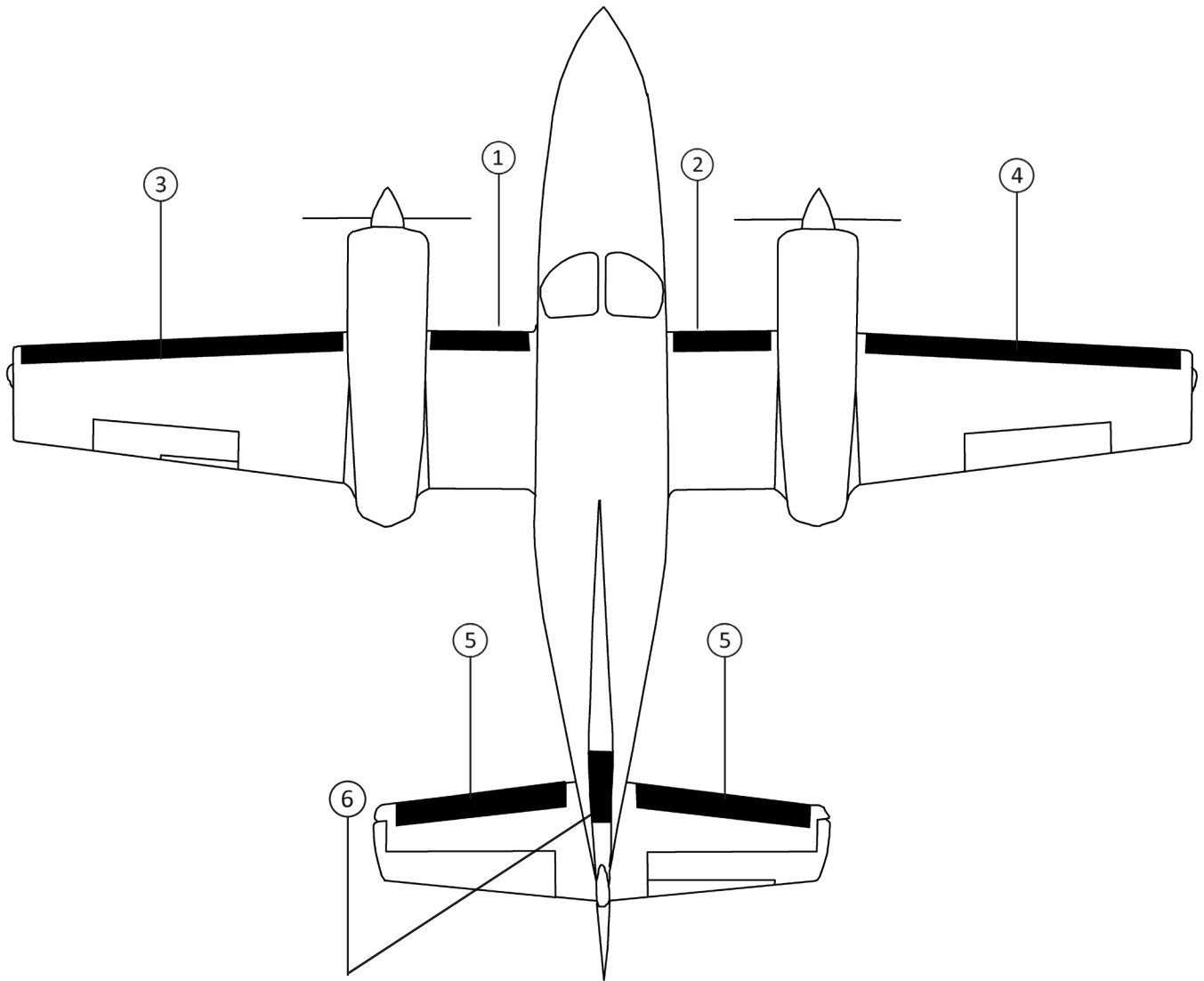
**FASTboot® DE-ICE BOOTS**

POSITION ID	GOODRICH PART NUMBER	AIRCRAFT OEM P/N	DESCRIPTION	QTY PER AIRCRAFT	WT
1	P27S-7D5070-07		FASTBOOT® FUSELAGE-NACELLE LH DE-ICE BOOT	1	1.2
2	P27S-7D5070-08		FASTBOOT® FUSELAGE-NACELLE RH DE-ICE BOOT	1	1.2
3	P27S-7D5070-57		FASTBOOT® NACELLE-TIP LH DE-ICE BOOT	1	5.0
4	P27S-7D5070-58		FASTBOOT® NACELLE-TIP RH DE-ICE BOOT	1	5.0
5	P27S-7D5070-11		FASTBOOT® HORIZONTAL STABILIZER LH/RH DE-ICE BOOT	2	2.2
6	P27S-7D5070-14		FASTBOOT® VERTICAL STABILIZER DE-ICE BOOT	1	1.5

**CESSNA 421C (GOLDEN EAGLE) WITH LIGHTS**

**CESSNA 421C (GOLDEN EAGLE) WITH LIGHTS**

**CESSNA 421C (GOLDEN EAGLE) WITH LIGHTS**





**CESSNA 421C (GOLDEN EAGLE) WITHOUT LIGHTS**
**STANDARD DE-ICE BOOTS**

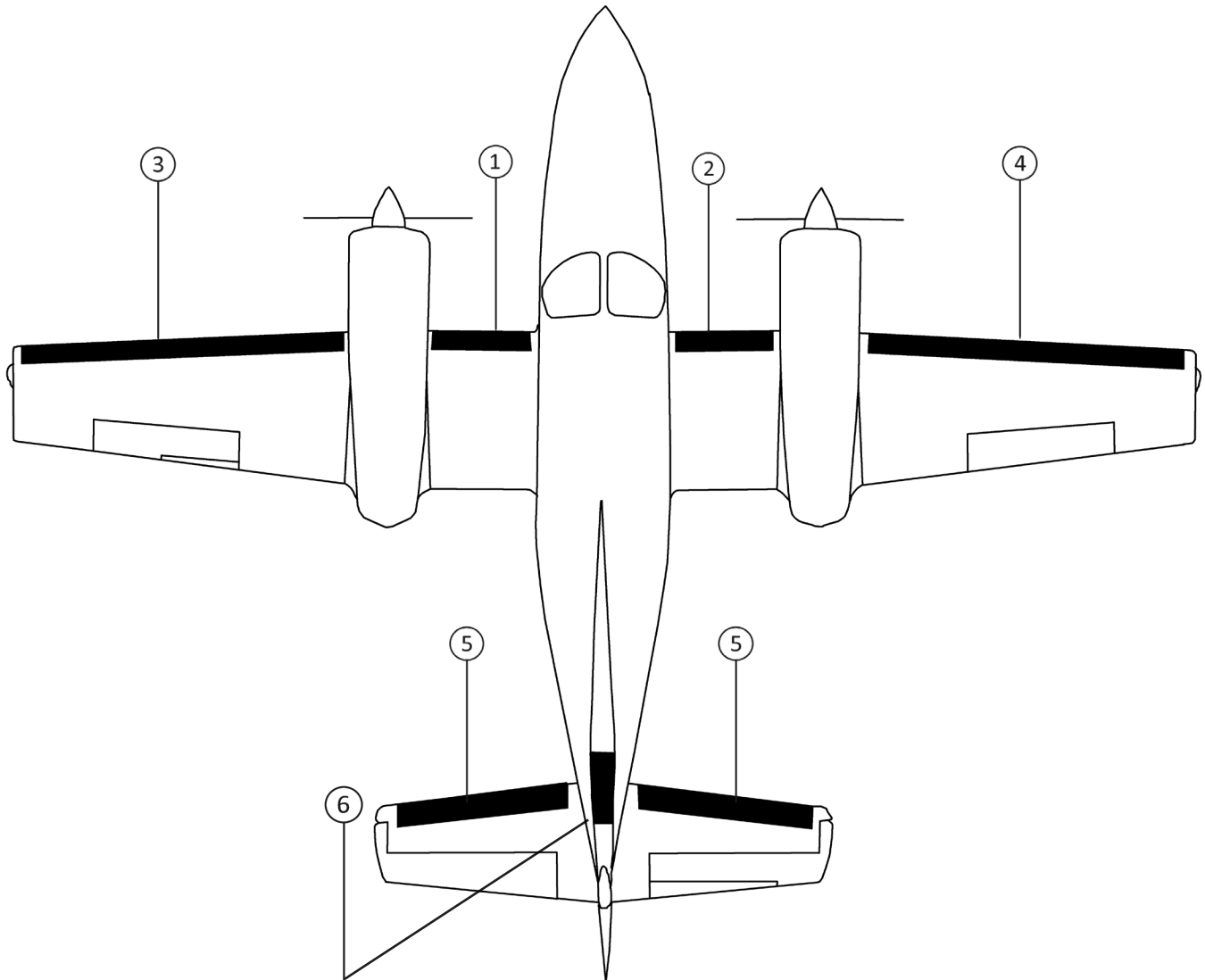
POSITION ID	GOODRICH PART NUMBER	AIRCRAFT OEM P/N	DESCRIPTION	QTY PER AIRCRAFT	WT
1	27S-7D5070-07		FUSELAGE-NACELLE LH DE-ICE BOOT	1	1.2
2	27S-7D5070-08		FUSELAGE-NACELLE RH DE-ICE BOOT	1	1.2
3	27S-7D5070-15		NACELLE-TIP LH DE-ICE BOOT	1	4.0
4	27S-7D5070-16		NACELLE-TIP RH DE-ICE BOOT	1	4.0
5	27S-7D5070-11		HORIZONTAL STABILIZER LH/RH DE-ICE BOOT	2	2.2
6	27S-7D5070-14		VERTICAL STABILIZER DE-ICE BOOT	1	1.5

**FASTboot® DE-ICE BOOTS**

POSITION ID	GOODRICH PART NUMBER	AIRCRAFT OEM P/N	DESCRIPTION	QTY PER AIRCRAFT	WT
1	P27S-7D5070-07		FASTBOOT® FUSELAGE-NACELLE LH DE-ICE BOOT	1	1.2
2	P27S-7D5070-08		FASTBOOT® FUSELAGE-NACELLE RH DE-ICE BOOT	1	1.2
3	P27S-7D5070-15		FASTBOOT® NACELLE-TIP LH DE-ICE BOOT	1	4.0
4	P27S-7D5070-16		FASTBOOT® NACELLE-TIP RH DE-ICE BOOT	1	4.0
5	P27S-7D5070-11		FASTBOOT® HORIZONTAL STABILIZER LH/RH DE-ICE BOOT	2	2.2
6	P27S-7D5070-14		FASTBOOT® VERTICAL STABILIZER DE-ICE BOOT	1	1.5

**CESSNA 421C (GOLDEN EAGLE) WITHOUT LIGHTS**

**CESSNA 421C (GOLDEN EAGLE) WITHOUT LIGHTS**

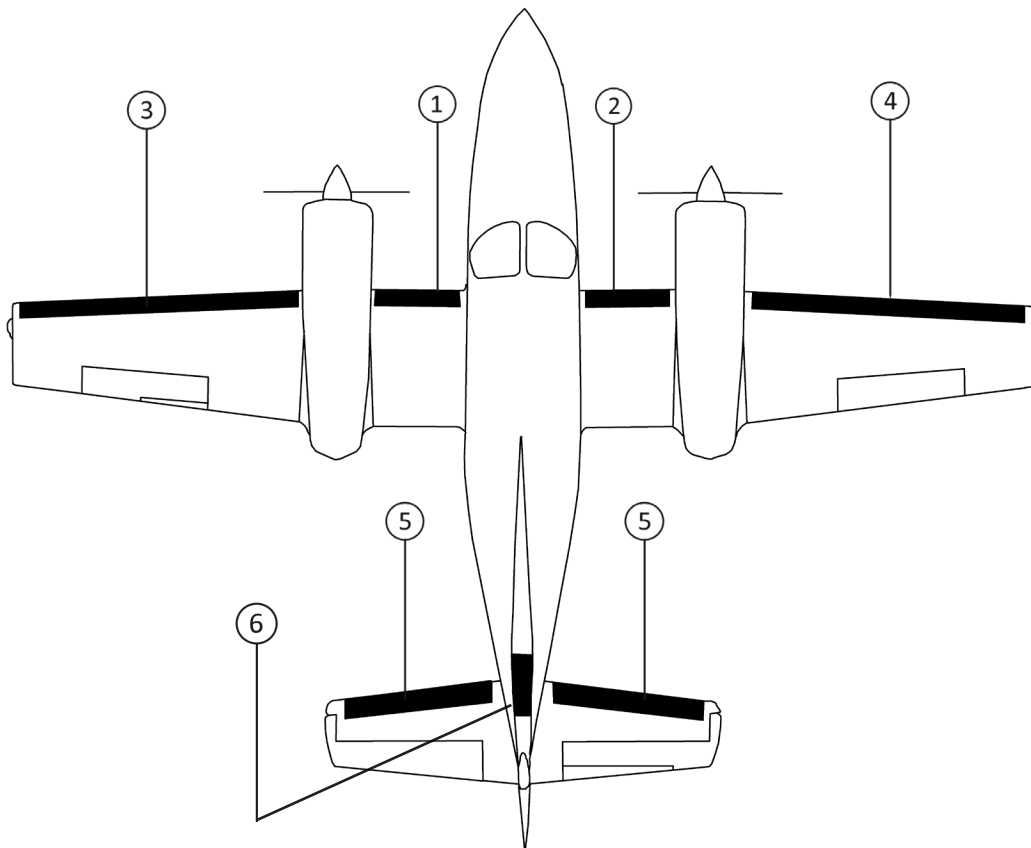


**CESSNA 425 (CONQUEST I) S/N TO 425-0190**
**STANDARD DE-ICE BOOTS**

POSITION ID	GOODRICH PART NUMBER	AIRCRAFT OEM P/N	DESCRIPTION	QTY PER AIRCRAFT	WT
1	27S-7D5070-53		FUSELAGE-NACELLE LH DE-ICE BOOT	1	1.5
2	27S-7D5070-54		FUSELAGE-NACELLE RH DE-ICE BOOT	1	1.5
3	27S-7D5070-49		NACELLE-TIP LH DE-ICE BOOT	1	5.4
4	27S-7D5070-50		NACELLE-TIP RH DE-ICE BOOT	1	5.4
5	27S-7D5070-21	9910277-5	HORIZONTAL STABILIZER LH/RH DE-ICE BOOT	2	2.6
6	27S-7D5070-14		VERTICAL STABILIZER DE-ICE BOOT	1	1.5

**FASTboot® DE-ICE BOOTS**

POSITION ID	GOODRICH PART NUMBER	AIRCRAFT OEM P/N	DESCRIPTION	QTY PER AIRCRAFT	WT
1	P27S-7D5070-53		FASTBOOT® FUSELAGE-NACELLE LH DE-ICE BOOT	1	1.5
2	P27S-7D5070-54		FASTBOOT® FUSELAGE-NACELLE RH DE-ICE BOOT	1	1.5
3	P27S-7D5070-49		FASTBOOT® NACELLE-TIP LH DE-ICE BOOT	1	5.4
4	P27S-7D5070-50		FASTBOOT® NACELLE-TIP RH DE-ICE BOOT	1	5.4
5	P27S-7D5070-21	9910277-5	FASTBOOT® HORIZONTAL STABILIZER LH/RH DE-ICE BOOT	2	2.6
6	P27S-7D5070-14		FASTBOOT® VERTICAL STABILIZER DE-ICE BOOT	1	1.5

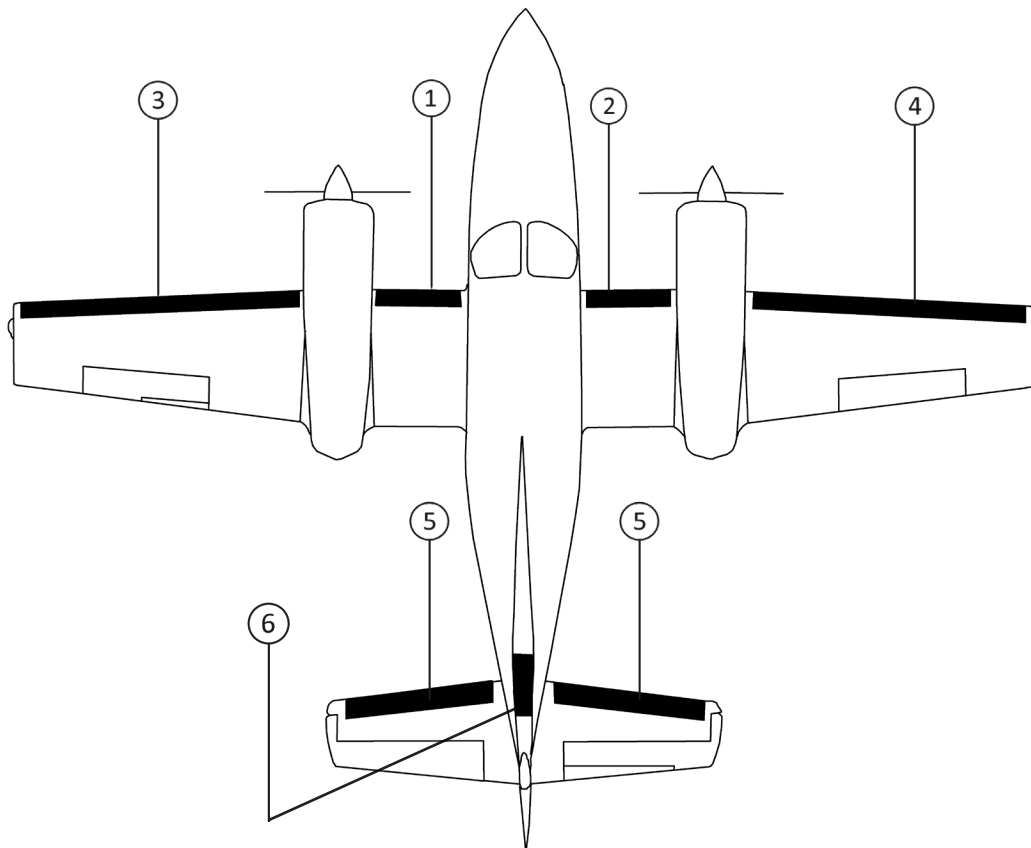

**CESSNA 425 (CONQUEST I) S/N TO 425-0190**

**CESSNA 425 (CONQUEST I) S/N 425-0191 UP**
**STANDARD DE-ICE BOOTS**

POSITION ID	GOODRICH PART NUMBER	AIRCRAFT OEM P/N	DESCRIPTION	QTY PER AIRCRAFT	WT
1	27S-7D5070-53		FUSELAGE-NACELLE LH DE-ICE BOOT	1	1.5
2	27S-7D5070-54		FUSELAGE-NACELLE RH DE-ICE BOOT	1	1.5
3	27S-7D5070-55		NACELLE-TIP LH DE-ICE BOOT	1	5.4
4	27S-7D5070-56		NACELLE-TIP RH DE-ICE BOOT	1	5.4
5	27S-7D5070-21	9910277-5	HORIZONTAL STABILIZER LH/RH DE-ICE BOOT	2	2.6
6	27S-7D5070-14		VERTICAL STABILIZER DE-ICE BOOT	1	1.5

**FASTboot® DE-ICE BOOTS**

POSITION ID	GOODRICH PART NUMBER	AIRCRAFT OEM P/N	DESCRIPTION	QTY PER AIRCRAFT	WT
1	P27S-7D5070-53		FASTBOOT® FUSELAGE-NACELLE LH DE-ICE BOOT	1	1.5
2	P27S-7D5070-54		FASTBOOT® FUSELAGE-NACELLE RH DE-ICE BOOT	1	1.5
3	P27S-7D5070-55		FASTBOOT® NACELLE-TIP LH DE-ICE BOOT	1	5.0
4	P27S-7D5070-56		FASTBOOT® NACELLE-TIP RH DE-ICE BOOT	1	5.0
5	P27S-7D5070-21	9910277-5	FASTBOOT® HORIZONTAL STABILIZER LH/RH DE-ICE BOOT	2	2.6
6	P27S-7D5070-14		FASTBOOT® VERTICAL STABILIZER DE-ICE BOOT	1	1.5


**CESSNA 425 (CONQUEST I) S/N 425-0191 UP**

**CESSNA 441 (CONQUEST II) TO S/N 441-0102**
**STANDARD DE-ICE BOOTS**

POSITION ID	GOODRICH PART NUMBER	AIRCRAFT OEM P/N	DESCRIPTION	QTY PER AIRCRAFT	WT
1	27S-7D5109-01		FUSELAGE-NACELLE LH DE-ICE BOOT	1	1.9
2	27S-7D5109-02		FUSELAGE-NACELLE RH DE-ICE BOOT	1	1.9
3	28S-7D5109-05		FUSELAGE-NACELLE EXTENSION LH/RH DE-ICE BOOT	2	0.2
4	27S-7D5109-03		NACELLE-TIP LH DE-ICE BOOT	1	6.8
5	27S-7D5109-04		NACELLE-TIP RH DE-ICE BOOT	1	6.8
6	27S-7D5070-21	9910277-5	HORIZONTAL STABILIZER LH/RH DE-ICE BOOT	2	2.6
7	27S-7D5070-23	9910277-14	VERTICAL STABILIZER DE-ICE BOOT	1	1.6

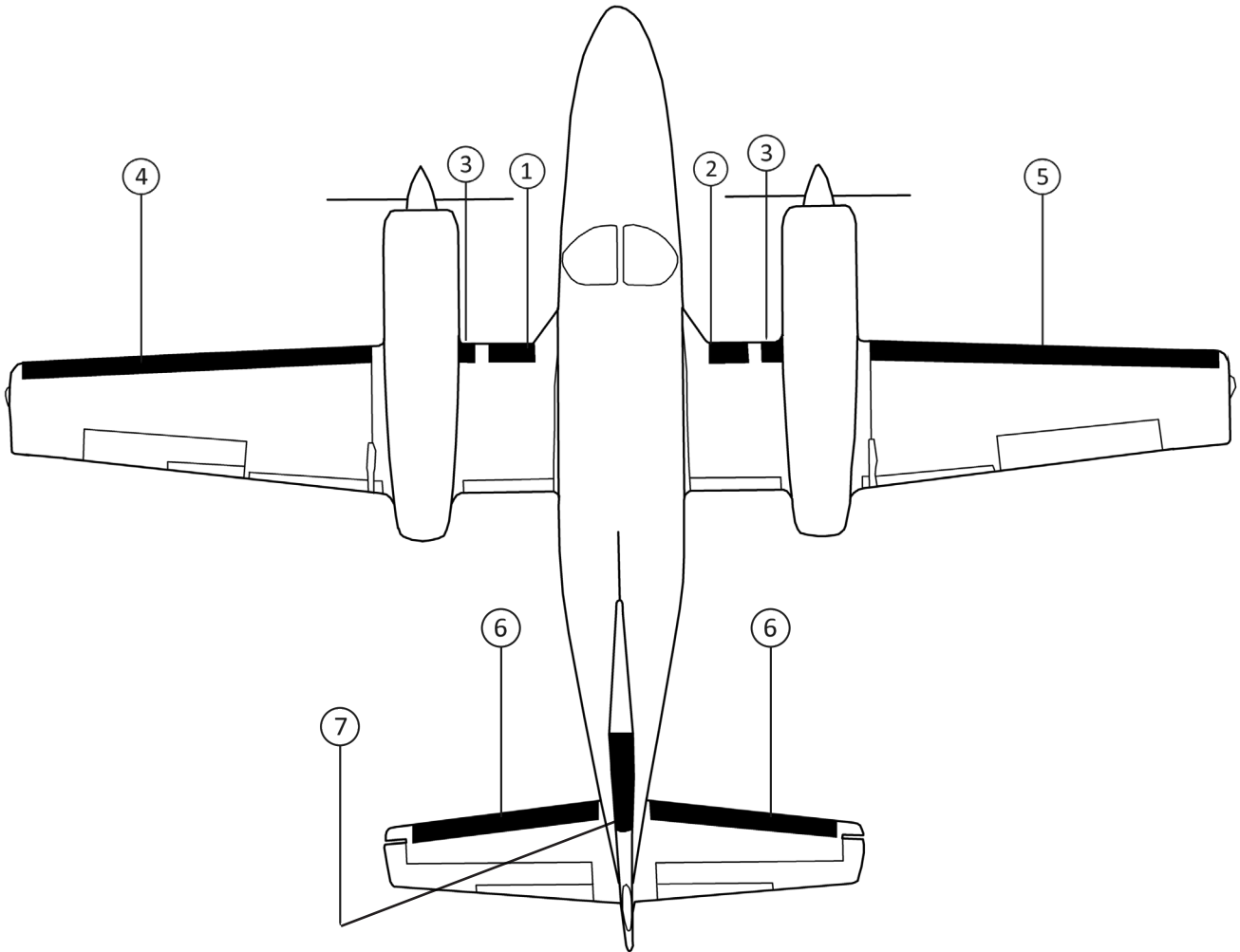
**FASTboot® DE-ICE BOOTS**

POSITION ID	GOODRICH PART NUMBER	AIRCRAFT OEM P/N	DESCRIPTION	QTY PER AIRCRAFT	WT
1	P27S-7D5109-01		FASTBOOT® FUSELAGE-NACELLE LH DE-ICE BOOT	1	1.9
2	P27S-7D5109-02		FASTBOOT® FUSELAGE-NACELLE RH DE-ICE BOOT	1	1.9
3	P28S-7D5109-05		FASTBOOT® FUSELAGE-NACELLE EXTENSION LH/RH DE-ICE BOOT	2	0.2
4	P27S-7D5109-03		FASTBOOT® NACELLE-TIP LH DE-ICE BOOT	1	6.8
5	P27S-7D5109-04		FASTBOOT® NACELLE-TIP RH DE-ICE BOOT	1	6.8
6	P27S-7D5070-21	9910277-5	FASTBOOT® HORIZONTAL STABILIZER LH/RH DE-ICE BOOT	2	2.6
7	P27S-7D5070-23	9910277-14	FASTBOOT® VERTICAL STABILIZER DE-ICE BOOT	1	1.6

**CESSNA 441 (CONQUEST II) TO S/N 441-0102**

**CESSNA 441 (CONQUEST II) TO S/N 441-0102**

**CESSNA 441 (CONQUEST II) TO S/N 441-0102**



**CESSNA 441 (CONQUEST II) S/N 441-0103 UP**
**STANDARD DE-ICE BOOTS**

POSITION ID	GOODRICH PART NUMBER	AIRCRAFT OEM P/N	DESCRIPTION	QTY PER AIRCRAFT	WT
1	27S-7D5109-01		FUSELAGE-NACELLE LH DE-ICE BOOT	1	1.9
2	27S-7D5109-02		FUSELAGE-NACELLE RH DE-ICE BOOT	1	1.9
3	28S-7D5109-05		FUSELAGE-NACELLE EXTENSION LH/RH DE-ICE BOOT	2	0.2
4	27S-7D5109-07		NACELLE-TIP LH DE-ICE BOOT	1	6.5
5	27S-7D5109-08		NACELLE-TIP RH DE-ICE BOOT	1	6.5
6	27S-7D5070-21	9910277-5	HORIZONTAL STABILIZER LH/RH DE-ICE BOOT	2	2.6
7	27S-7D5070-23	9910277-14	VERTICAL STABILIZER DE-ICE BOOT	1	1.6

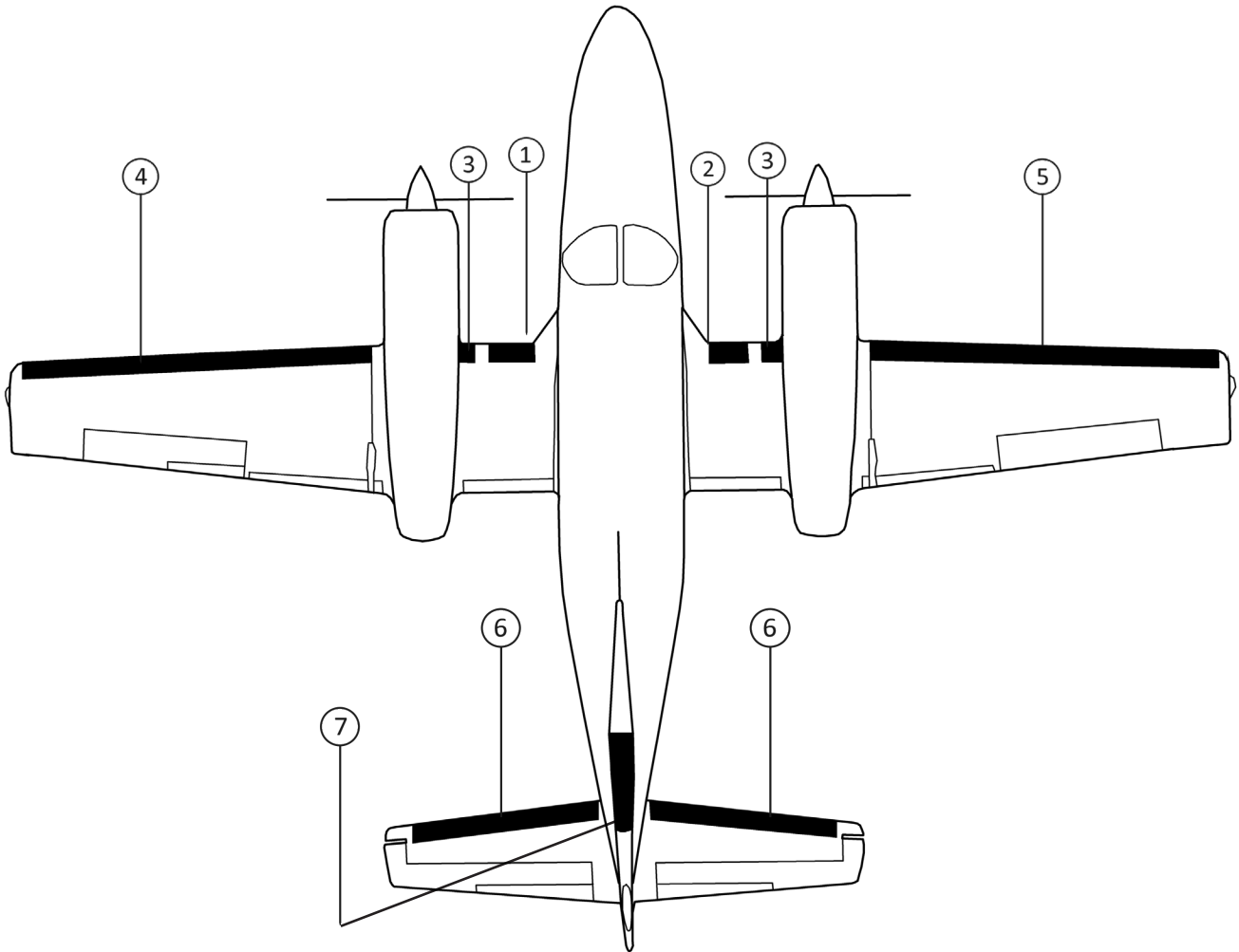
**FASTboot® DE-ICE BOOTS**

POSITION ID	GOODRICH PART NUMBER	AIRCRAFT OEM P/N	DESCRIPTION	QTY PER AIRCRAFT	WT
1	P27S-7D5109-01		FASTBOOT® FUSELAGE-NACELLE LH DE-ICE BOOT	1	1.9
2	P27S-7D5109-02		FASTBOOT® FUSELAGE-NACELLE RH DE-ICE BOOT	1	1.9
3	P28S-7D5109-05		FASTBOOT® FUSELAGE-NACELLE EXTENSION LH/RH DE-ICE BOOT	2	0.2
4	P27S-7D5109-07		FASTBOOT® NACELLE-TIP LH DE-ICE BOOT	1	6.5
5	P27S-7D5109-08		FASTBOOT® NACELLE-TIP RH DE-ICE BOOT	1	6.5
6	P27S-7D5070-21	9910277-5	FASTBOOT® HORIZONTAL STABILIZER LH/RH DE-ICE BOOT	2	2.6
7	P27S-7D5070-23	9910277-14	FASTBOOT® VERTICAL STABILIZER DE-ICE BOOT	1	1.6

**CESSNA 441 (CONQUEST II) S/N 441-0103 UP**

**CESSNA 441 (CONQUEST II) S/N 441-0103 UP**

**CESSNA 441 (CONQUEST II) S/N 441-0103 UP**





**CESSNA 500 (CITATION I) TO S/N 500-0349**
**STANDARD DE-ICE BOOTS**

POSITION ID	GOODRICH PART NUMBER	AIRCRAFT OEM P/N	DESCRIPTION	QTY PER AIRCRAFT	WT
1	25S-7D5059-01		WING LH DE-ICE BOOT	1	5.4
2	25S-7D5059-02		WING RH DE-ICE BOOT	1	5.4
3	25S-7D5059-03*		HORIZONTAL STABILIZER LH/RH DE-ICE BOOT	2	2.6
4	25S-7D5059-05		VERTICAL STABILIZER DE-ICE BOOT	1	1.8

**OPTIONAL STANDARD DE-ICE BOOTS**

POSITION ID	GOODRICH PART NUMBER	AIRCRAFT OEM P/N	DESCRIPTION	QTY PER AIRCRAFT	WT
3	29S-7D5059-13		HORIZONTAL STABILIZER LH/RH DE-ICE BOOT	2	3.3

\*PART NUMBERS (P)25S-7D5059-03 AND (P)29S-7D5059-13 ARE INTERCHANGEABLE. 29S-7D5059-13 IS MORE ROBUST, BUT ALSO HEAVIER

**FASTboot® DE-ICE BOOTS**

POSITION ID	GOODRICH PART NUMBER	AIRCRAFT OEM P/N	DESCRIPTION	QTY PER AIRCRAFT	WT
1	P25S-7D5059-01		FASTBOOT® WING LH DE-ICE BOOT	1	5.4
2	P25S-7D5059-02		FASTBOOT® WING RH DE-ICE BOOT	1	5.4
3	P25S-7D5059-03*		FASTBOOT® HORIZONTAL STABILIZER LH/RH DE-ICE BOOT	2	2.6
4	P25S-7D5059-05		FASTBOOT® VERTICAL STABILIZER DE-ICE BOOT	1	1.8

**OPTIONAL FASTboot® DE-ICE BOOTS**

POSITION ID	GOODRICH PART NUMBER	AIRCRAFT OEM P/N	DESCRIPTION	QTY PER AIRCRAFT	WT
3	P29S-7D5059-13*		FASTBOOT® HORIZONTAL STABILIZER LH/RH DE-ICE BOOT	2	3.3

**EAGLE MOD STC SA645NW**
**STANDARD DE-ICE BOOTS**

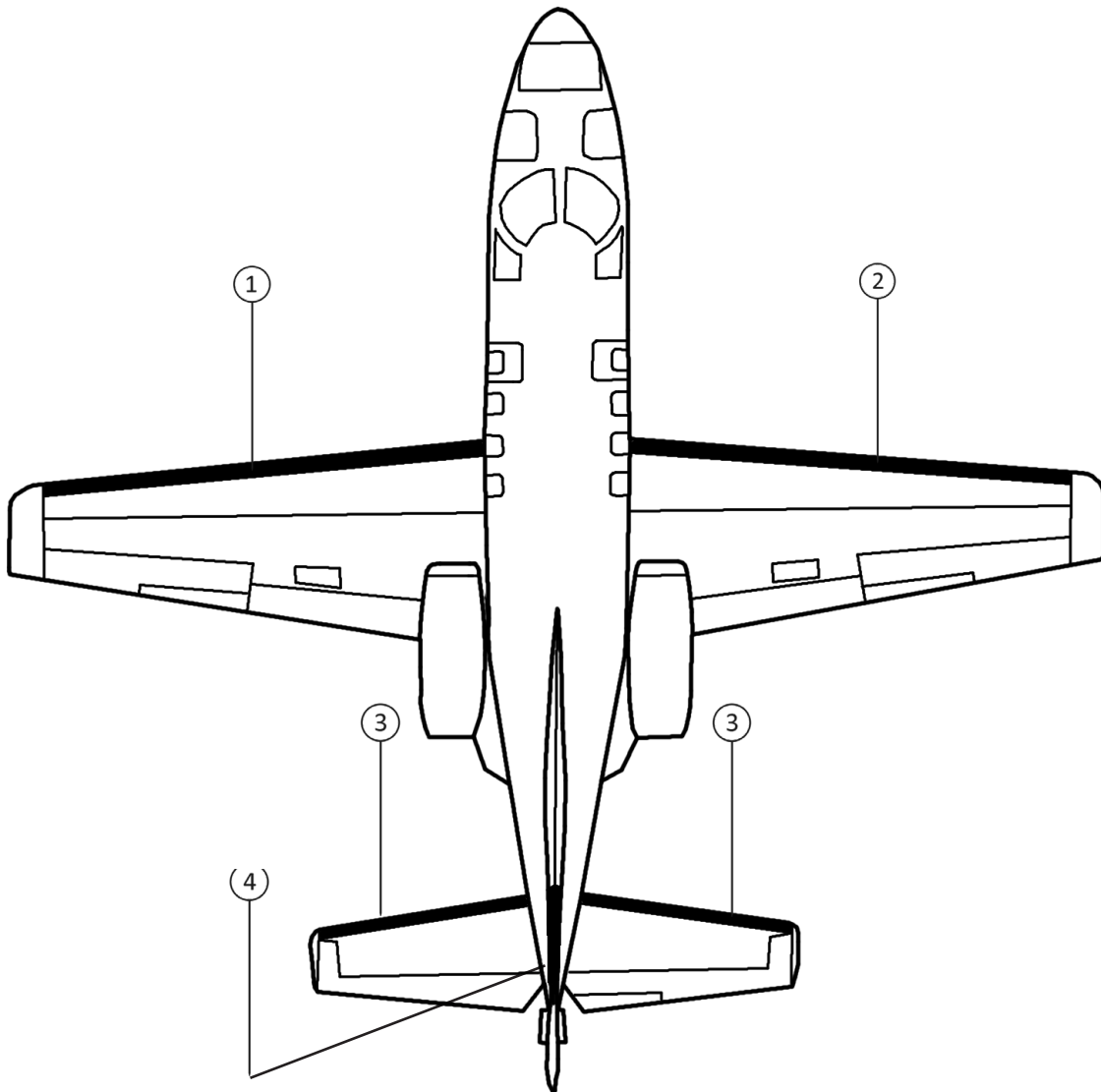
POSITION ID	GOODRICH PART NUMBER	AIRCRAFT OEM P/N	DESCRIPTION	QTY PER AIRCRAFT	WT
1	25S-7D5059-11		WING LH DE-ICE BOOT	1	5.4
2	25S-7D5059-12		WING RH DE-ICE BOOT	1	5.4

**FASTboot® DE-ICE BOOTS**

POSITION ID	GOODRICH PART NUMBER	AIRCRAFT OEM P/N	DESCRIPTION	QTY PER AIRCRAFT	WT
1	P25S-7D5059-11		FASTBOOT® WING LH DE-ICE BOOT	1	5.4
2	P25S-7D5059-12		FASTBOOT® WING RH DE-ICE BOOT	1	5.4

**CESSNA 500 (CITATION I) TO S/N 500-0349**

**CESSNA 500 (CITATION I) TO S/N 500-0349**



**CESSNA 500 (CITATION I) S/N 500-0350 & UP**
**STANDARD DE-ICE BOOTS**

POSITION ID	GOODRICH PART NUMBER	AIRCRAFT OEM P/N	DESCRIPTION	QTY PER AIRCRAFT	WT
1	25S-7D5059-07		WING LH DE-ICE BOOT	1	5.9
2	25S-7D5059-08		WING RH DE-ICE BOOT	1	5.9
3	25S-7D5059-03*		HORIZONTAL STABILIZER LH/RH DE-ICE BOOT	2	2.6
4	25S-7D5059-05		VERTICAL STABILIZER DE-ICE BOOT	1	1.8

**OPTIONAL STANDARD DE-ICE BOOTS**

POSITION ID	GOODRICH PART NUMBER	AIRCRAFT OEM P/N	DESCRIPTION	QTY PER AIRCRAFT	WT
3	29S-7D5059-13*		HORIZONTAL STABILIZER LH/RH DE-ICE BOOT	2	3.3

\*PART NUMBERS (P)25S-7D5059-03 AND (P)29S-7D5059-13 ARE INTERCHANGEABLE. 29S-7D5059-13 IS MORE ROBUST, BUT ALSO HEAVIER

**FASTboot® DE-ICE BOOTS**

POSITION ID	GOODRICH PART NUMBER	AIRCRAFT OEM P/N	DESCRIPTION	QTY PER AIRCRAFT	WT
1	P25S-7D5059-07		FASTBOOT® WING LH DE-ICE BOOT	1	5.9
2	P25S-7D5059-08		FASTBOOT® WING RH DE-ICE BOOT	1	5.9
3	P25S-7D5059-03*		FASTBOOT® HORIZONTAL STABILIZER LH/RH DE-ICE BOOT	2	2.6
4	P25S-7D5059-05		FASTBOOT® VERTICAL STABILIZER DE-ICE BOOT	1	1.8

**OPTIONAL FASTboot® DE-ICE BOOTS**

POSITION ID	GOODRICH PART NUMBER	AIRCRAFT OEM P/N	DESCRIPTION	QTY PER AIRCRAFT	WT
3	P29S-7D5059-13*		FASTBOOT® HORIZONTAL STABILIZER LH/RH DE-ICE BOOT	2	3.3

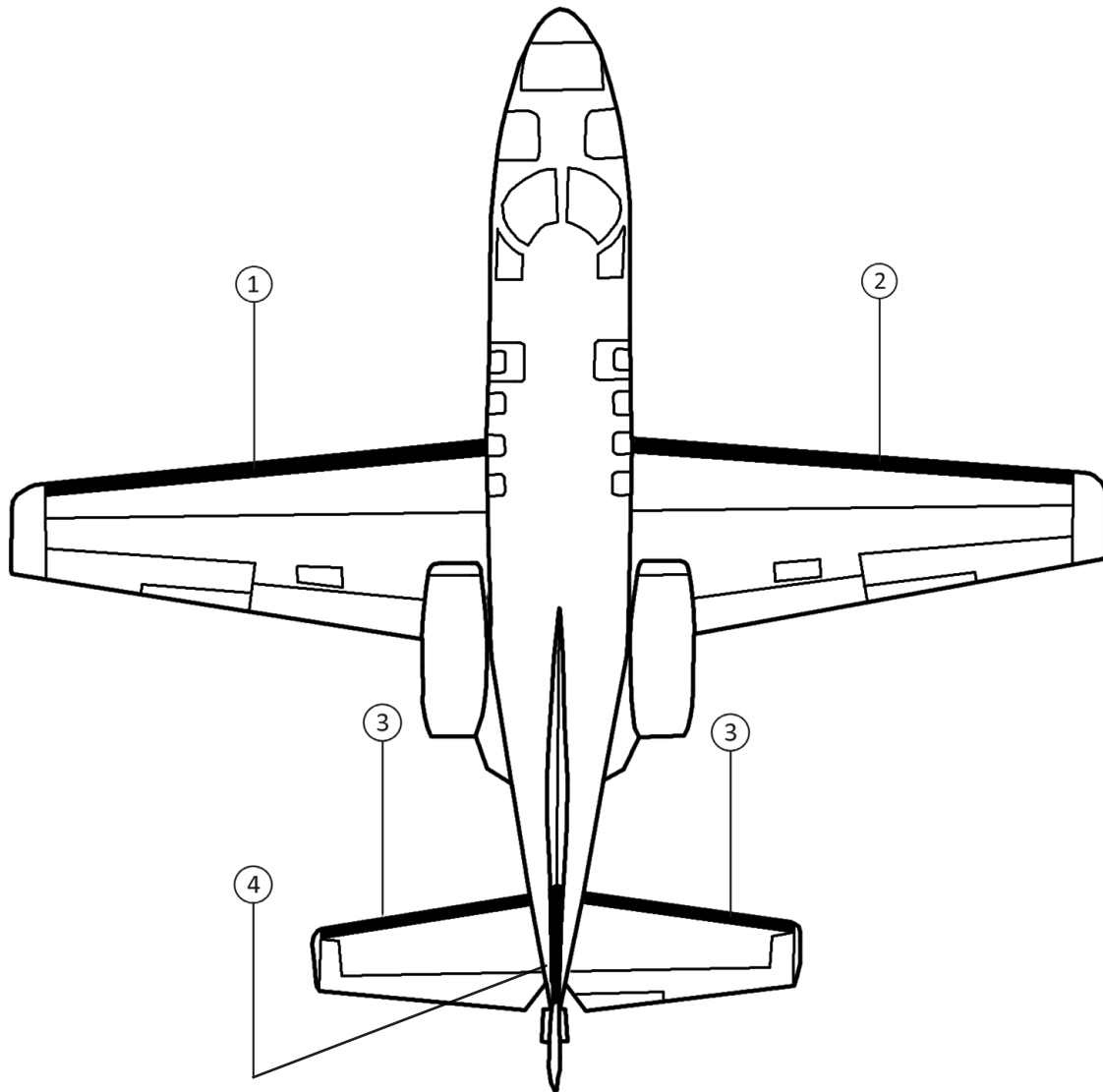
**EAGLE MOD STC SA645NW**
**STANDARD DE-ICE BOOTS**

POSITION ID	GOODRICH PART NUMBER	AIRCRAFT OEM P/N	DESCRIPTION	QTY PER AIRCRAFT	WT
1	25S-7D5059-11		WING LH DE-ICE BOOT	1	5.4
2	25S-7D5059-12		WING RH DE-ICE BOOT	1	5.4

**FASTboot® DE-ICE BOOTS**

POSITION ID	GOODRICH PART NUMBER	AIRCRAFT OEM P/N	DESCRIPTION	QTY PER AIRCRAFT	WT
1	P25S-7D5059-11		FASTBOOT® WING LH DE-ICE BOOT	1	5.4
2	P25S-7D5059-12		FASTBOOT® WING RH DE-ICE BOOT	1	5.4

**CESSNA 500 (CITATION I) S/N 500-0350 & UP**



**CESSNA 500 (CITATION I) S/N 500-0350 & UP**

**CESSNA 501 (CITATION 1/SP)**
**STANDARD DE-ICE BOOTS**

POSITION ID	GOODRICH PART NUMBER	AIRCRAFT OEM P/N	DESCRIPTION	QTY PER AIRCRAFT	WT
1	25S-7D5059-07		WING LH DE-ICE BOOT	1	5.9
2	25S-7D5059-08		WING RH DE-ICE BOOT	1	5.9
3	25S-7D5059-03*		HORIZONTAL STABILIZER LH/RH DE-ICE BOOT	2	2.6
4	25S-7D5059-05		VERTICAL STABILIZER DE-ICE BOOT	1	1.8

**OPTIONAL STANDARD DE-ICE BOOTS**

POSITION ID	GOODRICH PART NUMBER	AIRCRAFT OEM P/N	DESCRIPTION	QTY PER AIRCRAFT	WT
3	29S-7D5059-13*		HORIZONTAL STABILIZER LH/RH DE-ICE BOOT	2	3.3

\*PART NUMBERS (P)25S-7D5059-03 AND (P)29S-7D5059-13 ARE INTERCHANGEABLE. 29S-7D5059-13 IS MORE ROBUST, BUT ALSO HEAVIER

**FASTboot® DE-ICE BOOTS**

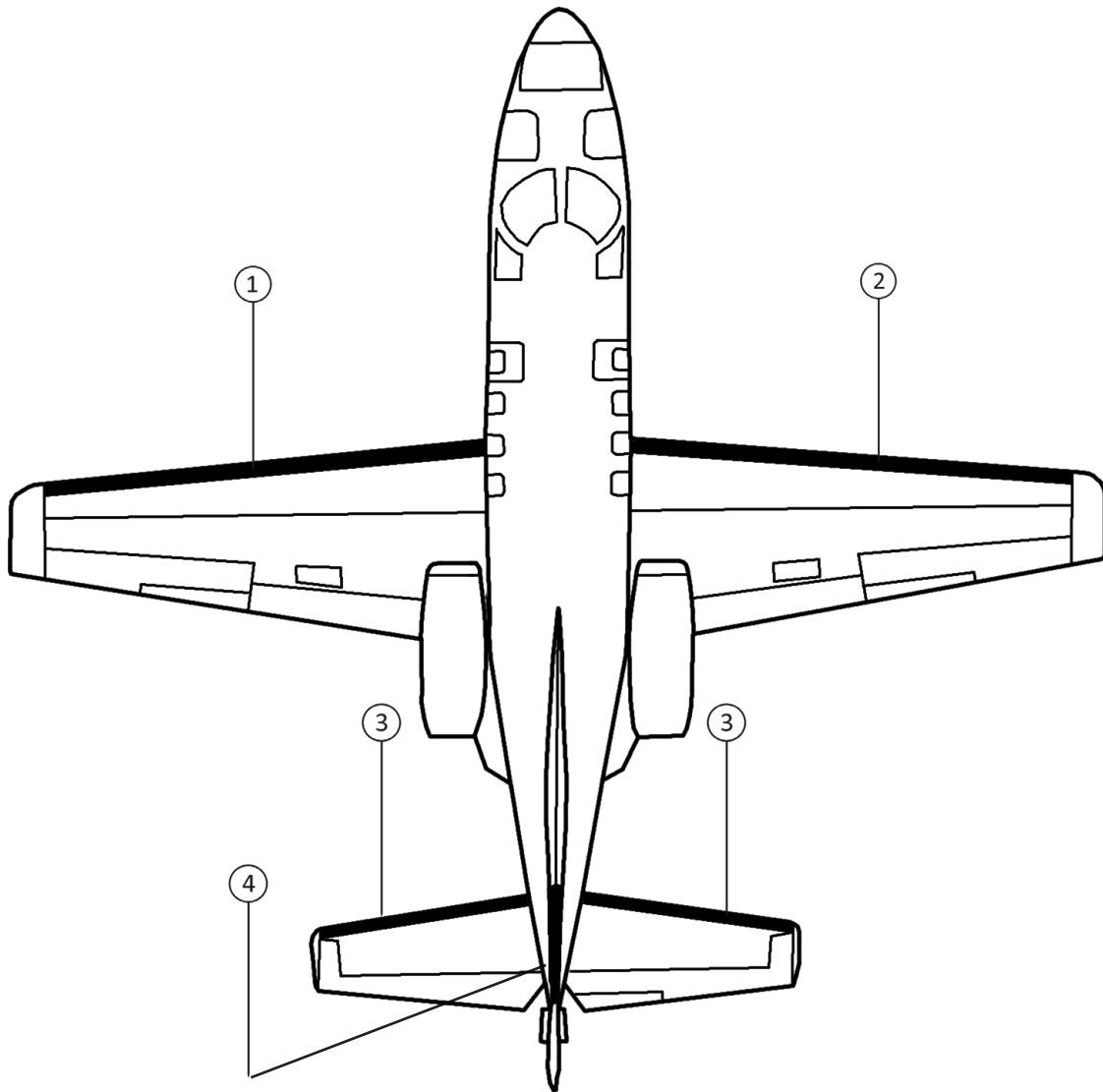
POSITION ID	GOODRICH PART NUMBER	AIRCRAFT OEM P/N	DESCRIPTION	QTY PER AIRCRAFT	WT
1	P25S-7D5059-07		FASTBOOT® WING LH DE-ICE BOOT	1	5.9
2	P25S-7D5059-08		FASTBOOT® WING RH DE-ICE BOOT	1	5.9
3	P25S-7D5059-03*		FASTBOOT® HORIZONTAL STABILIZER LH/RH DE-ICE BOOT	2	2.6
4	P25S-7D5059-05		FASTBOOT® VERTICAL STABILIZER DE-ICE BOOT	1	1.8

**OPTIONAL FASTboot® DE-ICE BOOTS**

POSITION ID	GOODRICH PART NUMBER	AIRCRAFT OEM P/N	DESCRIPTION	QTY PER AIRCRAFT	WT
3	P29S-7D5059-13*		FASTBOOT® HORIZONTAL STABILIZER LH/RH DE-ICE BOOT	2	3.3

**CESSNA 501 (CITATION 1/SP)**

**CESSNA 501 (CITATION 1/SP)**



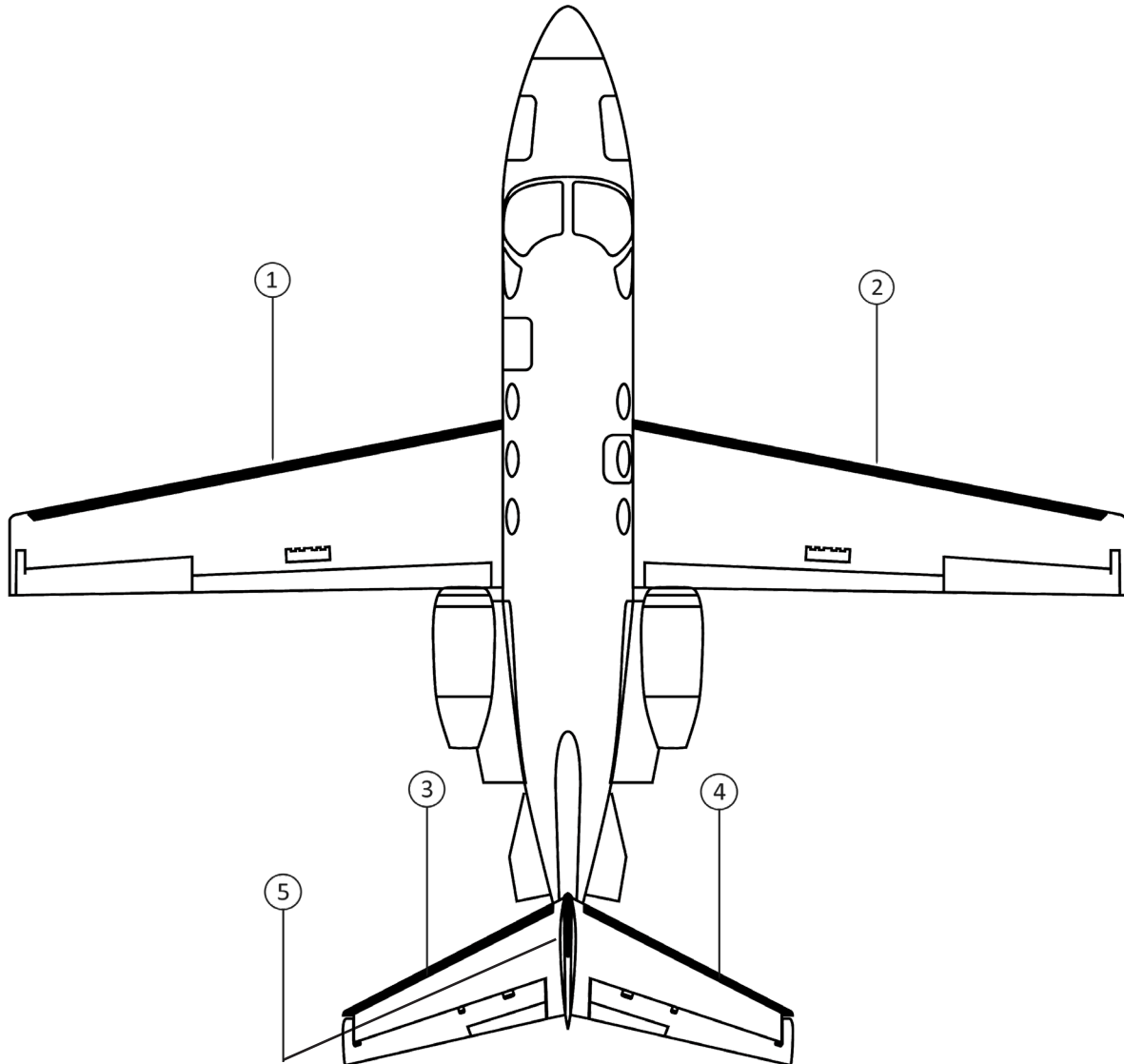
**CESSNA 510 (MUSTANG)**

**FASTboot® DE-ICE BOOTS**

POSITION ID	GOODRICH PART NUMBER	AIRCRAFT OEM P/N	DESCRIPTION	QTY PER AIRCRAFT	WT
1	P35-4D5317-17	9912662-17	FASTBOOT® WING LH (ESTANE®) DE-ICE BOOT	1	10.1
2	P35-4D5317-18	9912662-18	FASTBOOT® WING RH (ESTANE®) DE-ICE BOOT	1	10.1
3	P29S4D5317-05	9912662-3	FASTBOOT® HORIZONTAL STABILIZER LH (ESTANE®) DE-ICE BOOT	1	4.6
4	P29S4D5317-06	9912662-4	FASTBOOT® HORIZONTAL STABILIZER RH (ESTANE®) DE-ICE BOOT	1	4.6
5	P29S4D5317-13	9912662-13	FASTBOOT® VERTICAL STABILIZER (ESTANE®) DE-ICE BOOT	1	4.5

CONTACT TEXTRON (CESSNA) TO PURCHASE OEM GOODRICH DE-ICE BOOTS

ESTANE® DE-ICERS HAVE A SURFACE PLY RESISTANT TO DIESTER TYPE ENGINE OIL



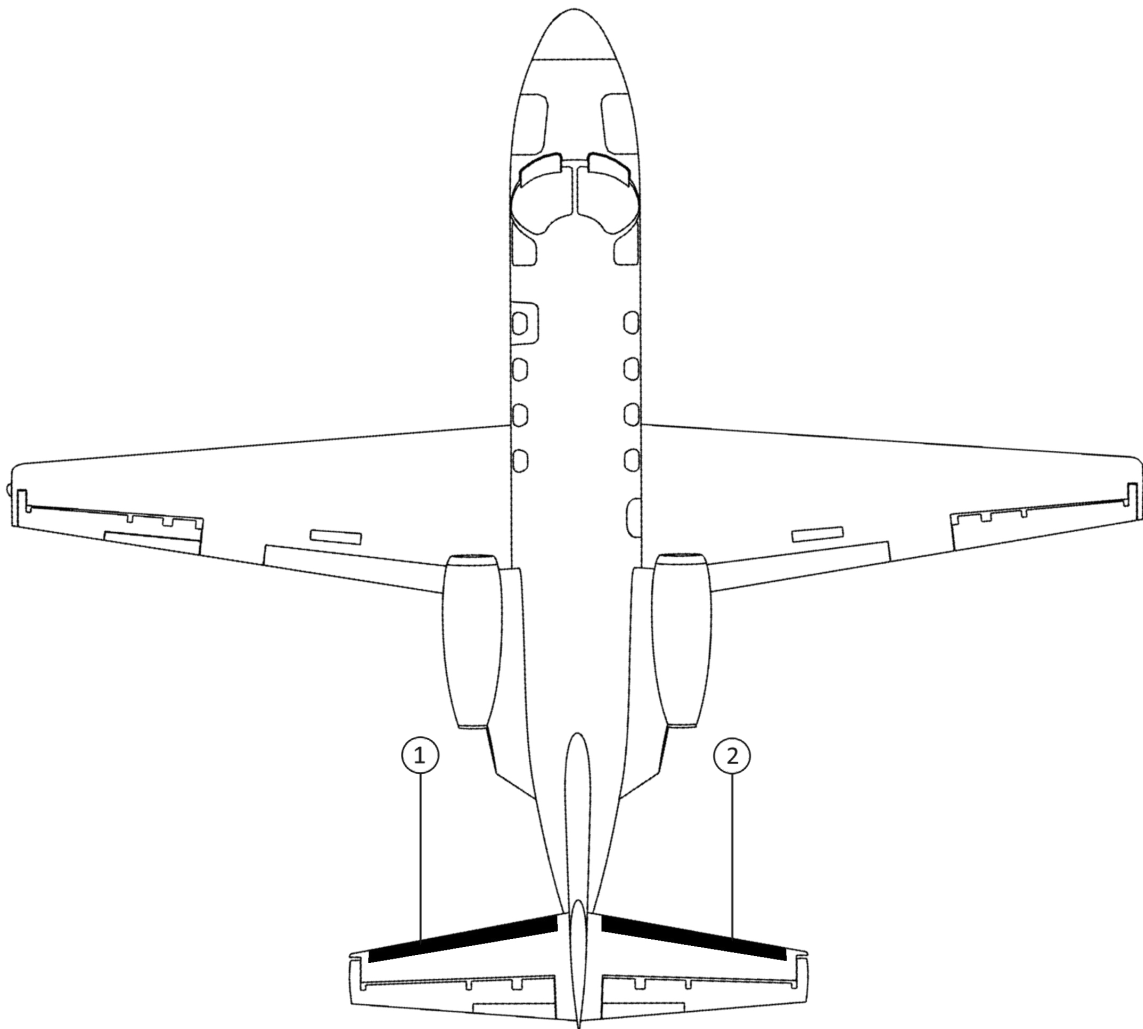
CESSNA 510 (MUSTANG)

**CESSNA 525 (CITATIONJET CJ1) THRU S/N 525-0501**
**STANDARD DE-ICE BOOTS**

POSITION ID	GOODRICH PART NUMBER	AIRCRAFT OEM P/N	DESCRIPTION	QTY PER AIRCRAFT	WT
1	25S-4D5244-01		HORIZONTAL STABILIZER LH DE-ICE BOOT (REPLACED BY 29S-4D5244-11)	1	3.5
1	29S-4D5244-11		HORIZONTAL STABILIZER LH DE-ICE BOOT	1	4.0
2	25S-4D5244-02		HORIZONTAL STABILIZER RH DE-ICE BOOT (REPLACED BY 29S-4D5244-12)	1	3.5
2	29S-4D5244-12		HORIZONTAL STABILIZER RH DE-ICE BOOT	1	4.0

**FASTboot® DE-ICE BOOTS**

POSITION ID	GOODRICH PART NUMBER	AIRCRAFT OEM P/N	DESCRIPTION	QTY PER AIRCRAFT	WT
1	P29S-4D5244-11		FASTBOOT® HORIZONTAL STABILIZER LH DE-ICE BOOT	1	4.0
2	P29S-4D5244-12		FASTBOOT® HORIZONTAL STABILIZER RH DE-ICE BOOT	1	4.0


**CESSNA 525 (CITATIONJET CJ1) THRU S/N 525-0501**

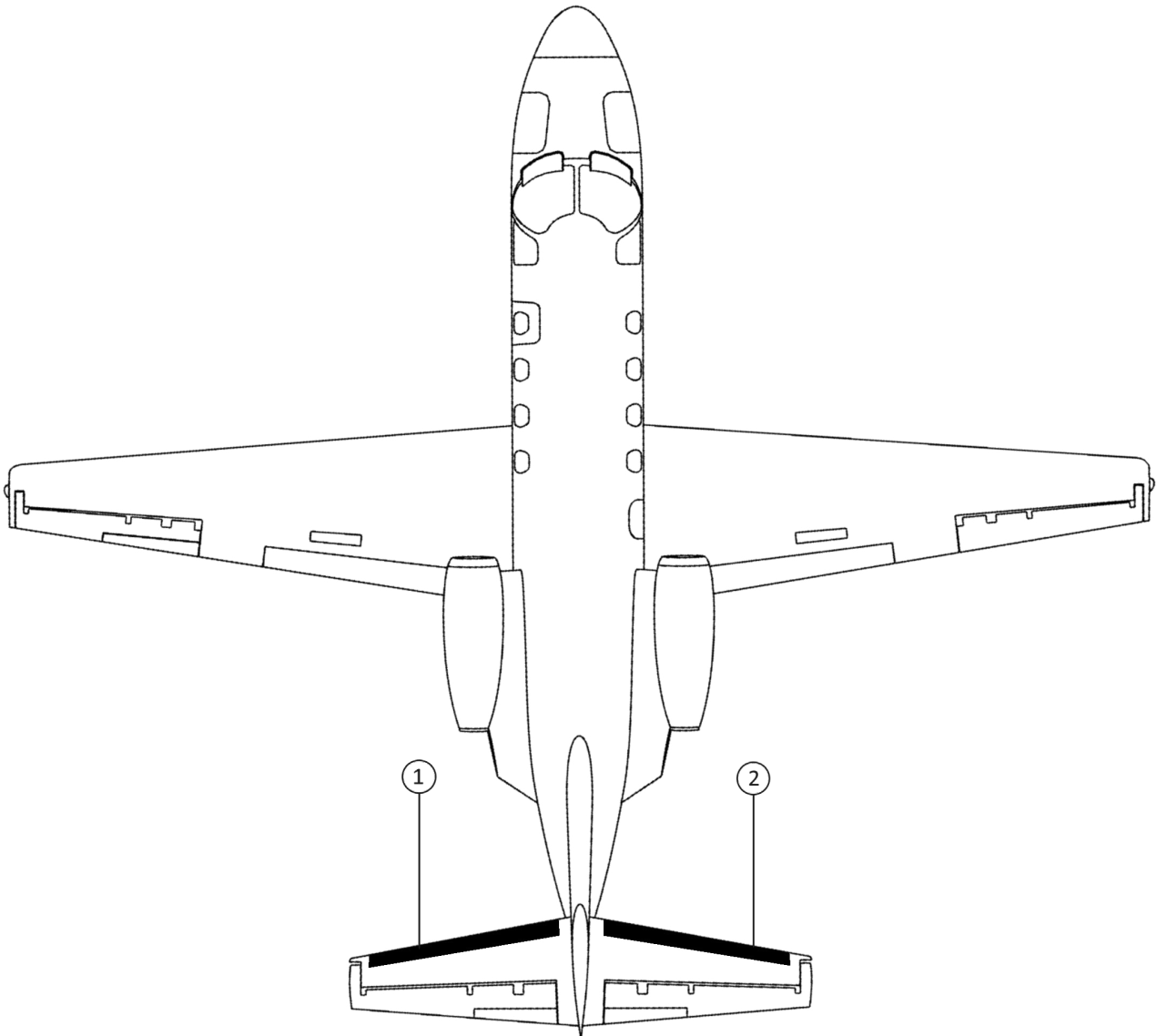


**CESSNA 525 (CITATIONJET CJ1) S/N 525-0502 UP**
**STANDARD DE-ICE BOOTS**

POSITION ID	GOODRICH PART NUMBER	AIRCRAFT OEM P/N	DESCRIPTION	QTY PER AIRCRAFT	WT
1	29S-4D5244-11		HORIZONTAL STABILIZER LH DE-ICE BOOT	1	4.0
2	29S-4D5244-12		HORIZONTAL STABILIZER RH DE-ICE BOOT	1	4.0

**FASTboot® DE-ICE BOOTS**

POSITION ID	GOODRICH PART NUMBER	AIRCRAFT OEM P/N	DESCRIPTION	QTY PER AIRCRAFT	WT
1	P29S-4D5244-11		FASTBOOT® HORIZONTAL STABILIZER LH DE-ICE BOOT	1	4.0
2	P29S-4D5244-12		FASTBOOT® HORIZONTAL STABILIZER RH DE-ICE BOOT	1	4.0


**CESSNA 525 (CITATIONJET CJ1) S/N 525-0502 UP**

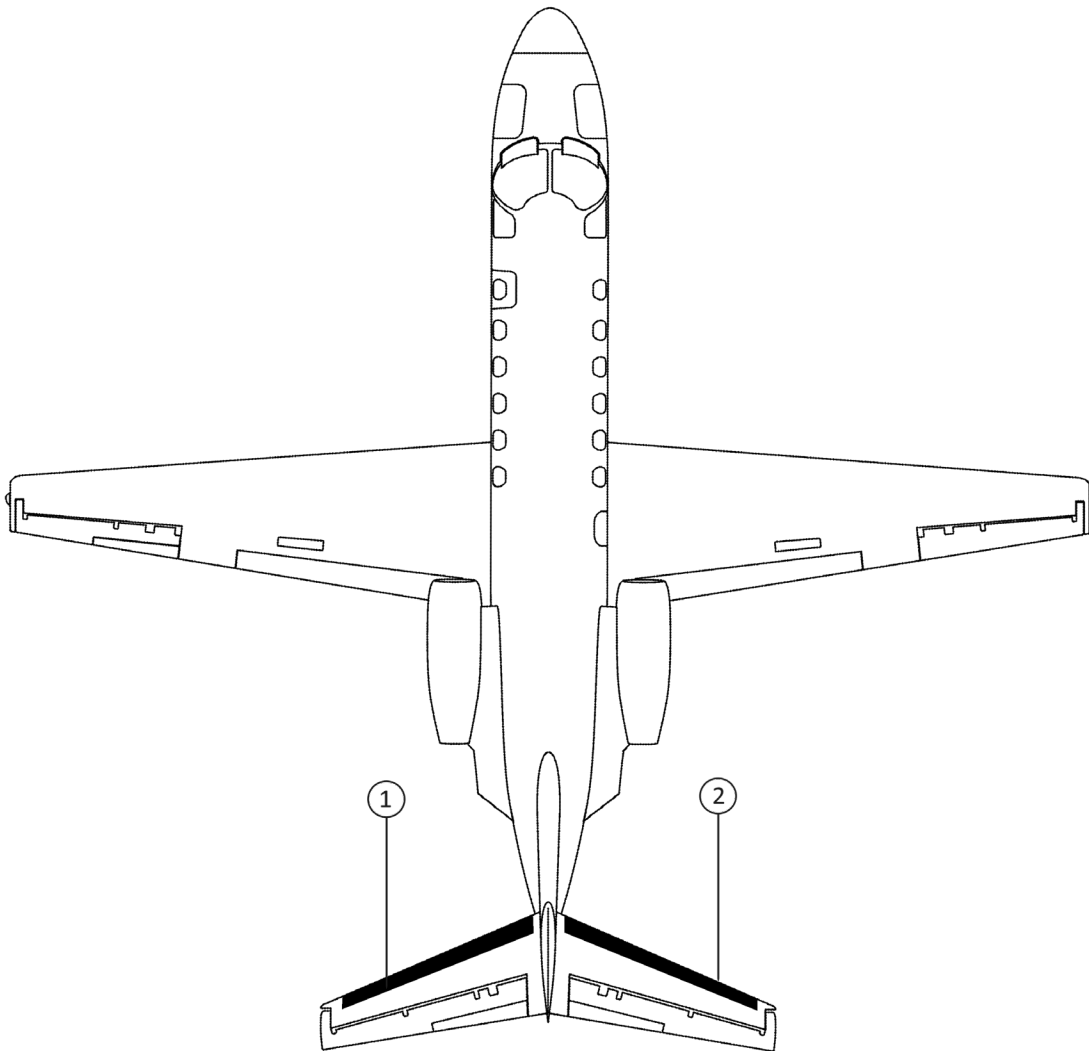
**CESSNA 525A (CITATIONJET CJ2)**

**STANDARD DE-ICE BOOTS**

POSITION ID	GOODRICH PART NUMBER	AIRCRAFT OEM P/N	DESCRIPTION	QTY PER AIRCRAFT	WT
1	29S-4D5244-15		HORIZONTAL STABILIZER LH DE-ICE BOOT	1	4.8
2	29S-4D5244-16		HORIZONTAL STABILIZER RH DE-ICE BOOT	1	4.8

**FASTboot® DE-ICE BOOTS**

POSITION ID	GOODRICH PART NUMBER	AIRCRAFT OEM P/N	DESCRIPTION	QTY PER AIRCRAFT	WT
1	P29S-4D5244-15		FASTBOOT® HORIZONTAL STABILIZER LH DE-ICE BOOT	1	4.8
2	P29S-4D5244-16		FASTBOOT® HORIZONTAL STABILIZER RH DE-ICE BOOT	1	4.8



**CESSNA 525A (CITATIONJET CJ2)**

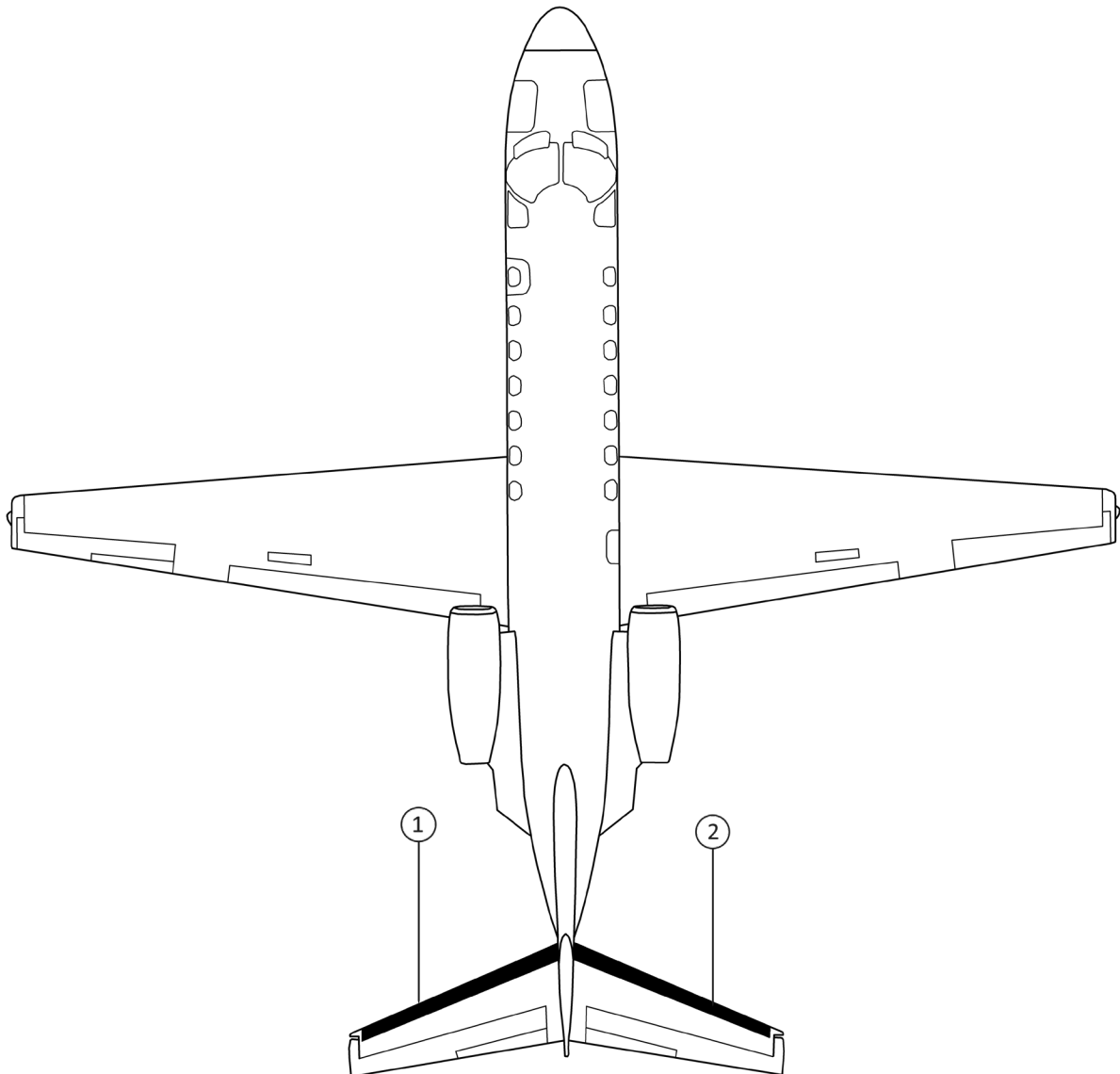
**CESSNA 525B (CITATIONJET CJ3)**

**STANDARD DE-ICE BOOTS**

POSITION ID	GOODRICH PART NUMBER	AIRCRAFT OEM P/N	DESCRIPTION	QTY PER AIRCRAFT	WT
1	29S-4D5244-15		HORIZONTAL STABILIZER LH DE-ICE BOOT	1	4.8
2	29S-4D5244-16		HORIZONTAL STABILIZER RH DE-ICE BOOT	1	4.8

**FASTboot® DE-ICE BOOTS**

POSITION ID	GOODRICH PART NUMBER	AIRCRAFT OEM P/N	DESCRIPTION	QTY PER AIRCRAFT	WT
1	P29S-4D5244-15		FASTBOOT® HORIZONTAL STABILIZER LH DE-ICE BOOT	1	4.8
2	P29S-4D5244-16		FASTBOOT® HORIZONTAL STABILIZER RH DE-ICE BOOT	1	4.8

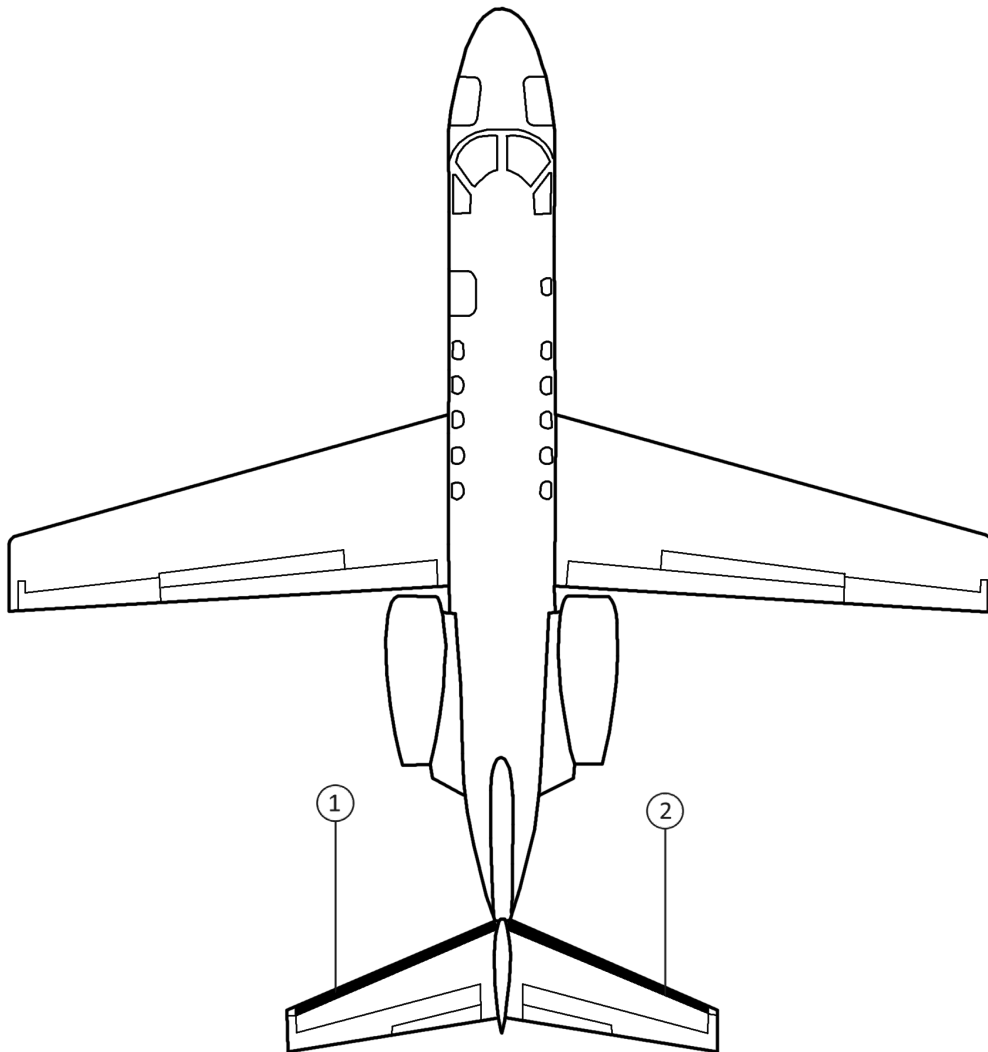


**CESSNA 525B (CITATIONJET CJ3)**

**CESSNA 525C (CITATIONJET CJ4)**

**FASTboot® DE-ICE BOOTS**

POSITION ID	GOODRICH PART NUMBER	AIRCRAFT OEM P/N	DESCRIPTION	QTY PER AIRCRAFT	WT
1	P29S4D5329-01		FASTBOOT® HORIZONTAL STABILIZER LH DE-ICE BOOT (REPLACED BY P29S4D5329-03)	1	5.8
1	P29S4D5329-03		FASTBOOT® HORIZONTAL STABILIZER LH DE-ICE BOOT	1	5.8
2	P29S4D5329-02		FASTBOOT® HORIZONTAL STABILIZER RH DE-ICE BOOT (REPLACED BY P29S4D5329-04)	1	5.8
2	P29S4D5329-04		FASTBOOT® HORIZONTAL STABILIZER RH DE-ICE BOOT	1	5.8



**CESSNA 525C (CITATIONJET CJ4)**

**CESSNA 550 (CITATION II/BRAVO)**
**STANDARD DE-ICE BOOTS**

POSITION ID	GOODRICH PART NUMBER	AIRCRAFT OEM P/N	DESCRIPTION	QTY PER AIRCRAFT	WT
1	25S-7D5059-09		WING LH DE-ICE BOOT	1	6.7
2	25S-7D5059-10		WING RH DE-ICE BOOT	1	6.7
3	25S-7D5059-03*		HORIZONTAL STABILIZER LH/RH DE-ICE BOOT	2	2.6
4	25S-7D5059-05		VERTICAL STABILIZER DE-ICE BOOT	1	1.8

**OPTIONAL STANDARD DE-ICE BOOTS**

POSITION ID	GOODRICH PART NUMBER	AIRCRAFT OEM P/N	DESCRIPTION	QTY PER AIRCRAFT	WT
3	25S-7D5059-13*		HORIZONTAL STABILIZER LH/RH DE-ICE BOOT	2	3.3

\*PART NUMBERS (P)25S-7D5059-03 AND (P)29S-7D5059-13 ARE INTERCHANGEABLE. 29S-7D5059-13 IS MORE ROBUST, BUT ALSO HEAVIER

**FASTboot® DE-ICE BOOTS**

POSITION ID	GOODRICH PART NUMBER	AIRCRAFT OEM P/N	DESCRIPTION	QTY PER AIRCRAFT	WT
1	P25S-7D5059-09		FASTBOOT® WING LH DE-ICE BOOT	1	6.7
2	P25S-7D5059-10		FASTBOOT® WING RH DE-ICE BOOT	1	6.7
3	P25S-7D5059-03*		FASTBOOT® HORIZONTAL STABILIZER LH/RH DE-ICE BOOT	2	2.6
4	P25S-7D5059-05		FASTBOOT® VERTICAL STABILIZER DE-ICE BOOT	1	1.8

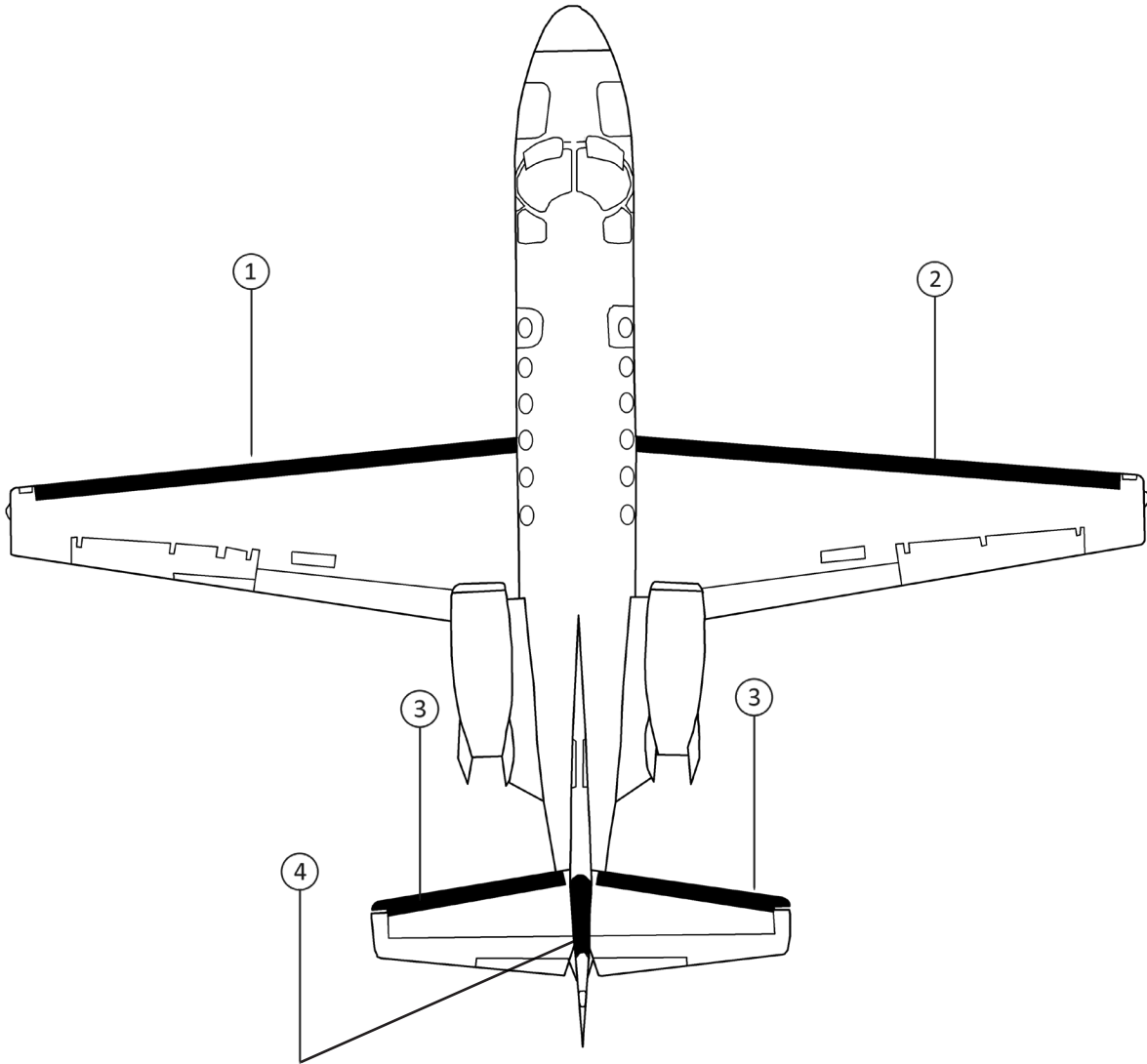
**OPTIONAL FASTboot® DE-ICE BOOTS**

POSITION ID	GOODRICH PART NUMBER	AIRCRAFT OEM P/N	DESCRIPTION	QTY PER AIRCRAFT	WT
3	P25S-7D5059-13*		FASTBOOT® HORIZONTAL STABILIZER LH/RH DE-ICE BOOT	2	3.3

\*PART NUMBERS (P)25S-7D5059-03 AND (P)29S-7D5059-13 ARE INTERCHANGEABLE. 29S-7D5059-13 IS MORE ROBUST, BUT ALSO HEAVIER

**CESSNA 550 (CITATION II/BRAVO)**

**CESSNA 550 (CITATION II/BRAVO)**



**CESSNA 551 (CITATION II/SP)**
**STANDARD DE-ICE BOOTS**

POSITION ID	GOODRICH PART NUMBER	AIRCRAFT OEM P/N	DESCRIPTION	QTY PER AIRCRAFT	WT
1	25S-7D5059-09		WING LH DE-ICE BOOT	1	6.7
2	25S-7D5059-10		WING RH DE-ICE BOOT	1	6.7
3	25S-7D5059-03		HORIZONTAL STABILIZER LH/RH DE-ICE BOOT	2	2.6
4	25S-7D5059-05		VERTICAL STABILIZER DE-ICE BOOT	1	1.8

**OPTIONAL STANDARD DE-ICE BOOTS**

POSITION ID	GOODRICH PART NUMBER	AIRCRAFT OEM P/N	DESCRIPTION	QTY PER AIRCRAFT	WT
3	29S-7D5059-13*		HORIZONTAL STABILIZER LH/RH DE-ICE BOOT	2	3.3

\*PART NUMBERS (P)25S-7D5059-03 AND (P)29S-7D5059-13 ARE INTERCHANGEABLE. 29S-7D5059-13 IS MORE ROBUST, BUT ALSO HEAVIER

**FASTboot® DE-ICE BOOTS**

POSITION ID	GOODRICH PART NUMBER	AIRCRAFT OEM P/N	DESCRIPTION	QTY PER AIRCRAFT	WT
1	P25S-7D5059-09		FASTBOOT® WING LH DE-ICE BOOT	1	6.7
2	P25S-7D5059-10		FASTBOOT® WING RH DE-ICE BOOT	1	6.7
3	P25S-7D5059-03		FASTBOOT® HORIZONTAL STABILIZER LH/RH DE-ICE BOOT	2	2.6
4	P25S-7D5059-05		FASTBOOT® VERTICAL STABILIZER DE-ICE BOOT	1	1.8

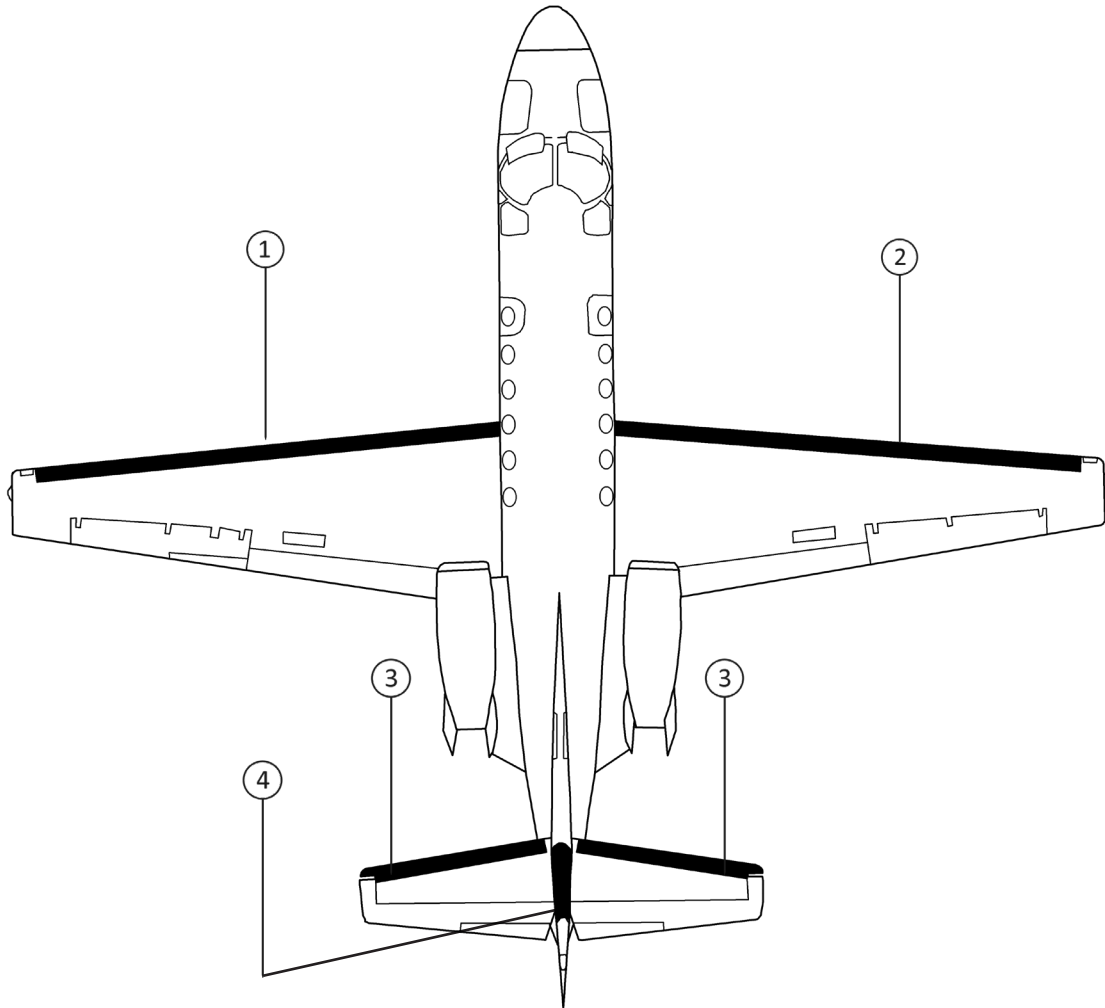
**OPTIONAL FASTboot® DE-ICE BOOTS**

POSITION ID	GOODRICH PART NUMBER	AIRCRAFT OEM P/N	DESCRIPTION	QTY PER AIRCRAFT	WT
3	P25S-7D5059-13*		FASTBOOT® HORIZONTAL STABILIZER LH/RH DE-ICE BOOT	2	3.3

\*PART NUMBERS (P)25S-7D5059-03 AND (P)29S-7D5059-13 ARE INTERCHANGEABLE. 29S-7D5059-13 IS MORE ROBUST, BUT ALSO HEAVIER

**CESSNA 551 (CITATION II/SP)**

**CESSNA 551 (CITATION II/SP)**





## De-ice boot care products



Aerospace Protectant™ (32 fl. oz.) P/N 74-451-237-32

### Goodrich® Aerospace Protectant™

- Approved for use on all Goodrich de-icers
- Near 100 percent prevention of UV-caused slow fade
- Resistance to dust, soiling and staining
- Water-based formula is environmentally friendly
- Apply as needed – no surface stripping required



Aerospace Cleaner™ (32 fl. oz.) P/N 74-451-238-32

### Goodrich® Aerospace Cleaner™

- Approved for use on all Goodrich de-icers
- Can be used on all water-safe materials
- Water-based formula is environmentally friendly
- Apply as needed – no surface stripping required
- Great for removing dirt, grime and bugs

**DE-ICER PATCHES  
AND PIN HOLE KITS  
ALSO AVAILABLE**



AgeMaster® #1 P/N 74-451-127

### AgeMaster® #1

- Rubber preservative that protects against weathering, ozone and ultraviolet rays
- Apply six months after new de-icer is installed
- Reapply every 150 flight hours (twice yearly)
- One quart covers approximately 90 sq. ft. (8.3 sq. m.)



ICEX®II - 6oz  
ICEX®II - Pump  
ICEX®II - Quart

### ICEX®II

- Ice adhesion inhibitor that enhances de-icer performance
- Apply every 50 flight hours during icing season
- One quart covers approximately 400 sq. ft. (37 sq. m)



ShineMaster™ Prep P/N 74-451-179  
ShineMaster™ P/N 74-451-178

### ShineMaster™

- Cosmetic coating that provides a high-luster shine
- Clean de-icer with ShineMaster Prep before applying 2-3 light coats
- One pint covers approximately 200 sq. ft. (18.6 sq. m)
- Reapply as desired

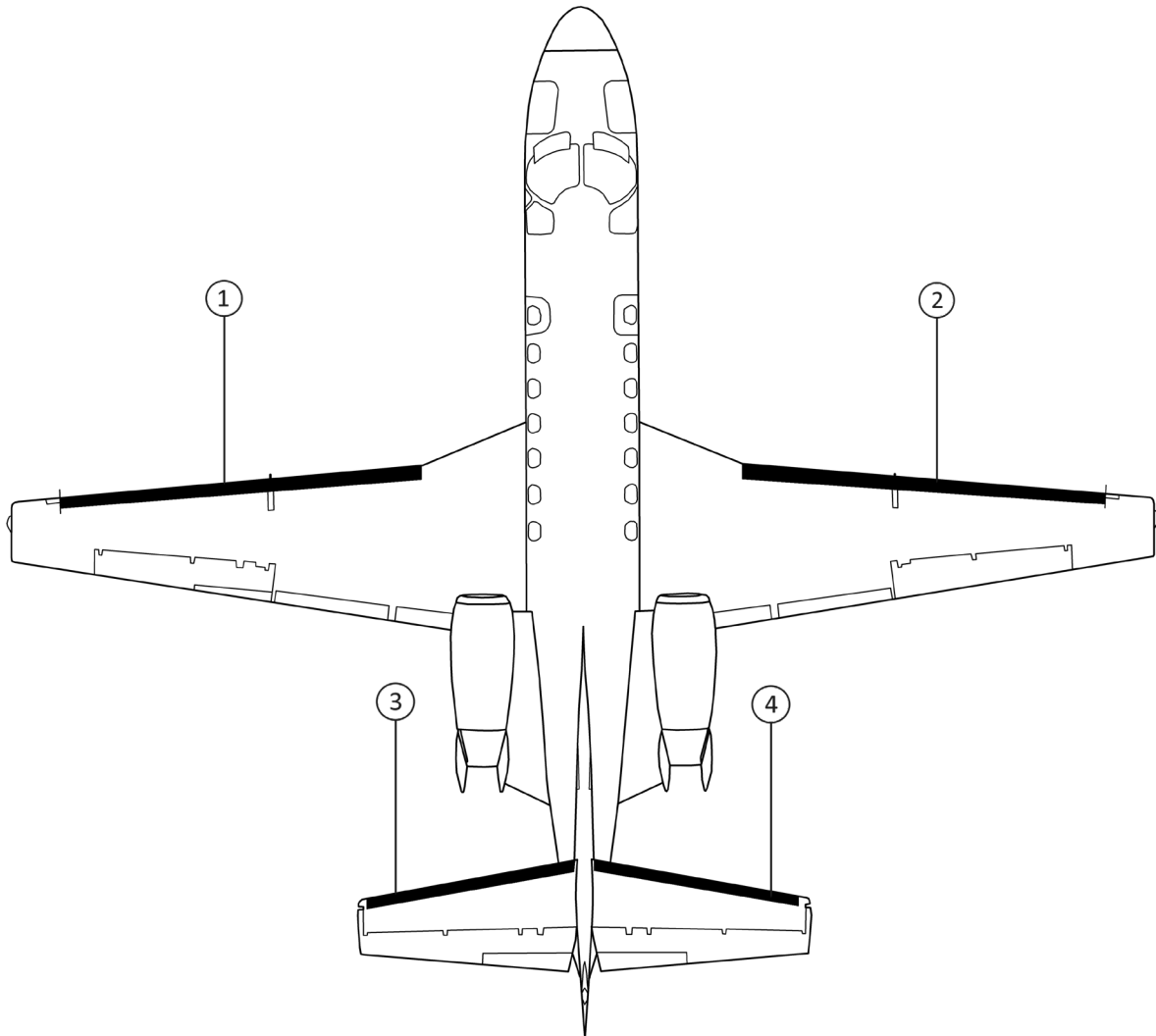
Specifications subject to change without notice.

**CESSNA 560 (CITATION V/ULTRA)**
**STANDARD DE-ICE BOOTS**

POSITION ID	GOODRICH PART NUMBER	AIRCRAFT OEM P/N	DESCRIPTION	QTY PER AIRCRAFT	WT
1	35-5D5230-01		WING LH DE-ICE BOOT	1	11.9
2	35-5D5230-02		WING RH DE-ICE BOOT	1	11.9
3	29S-5D5225-05		HORIZONTAL STABILIZER LH DE-ICE BOOT	1	4.3
4	29S-5D5225-06		HORIZONTAL STABILIZER RH DE-ICE BOOT	1	4.3

**FASTboot® DE-ICE BOOTS**

POSITION ID	GOODRICH PART NUMBER	AIRCRAFT OEM P/N	DESCRIPTION	QTY PER AIRCRAFT	WT
1	P35-5D5230-01		FASTBOOT® WING LH DE-ICE BOOT	1	11.9
2	P35-5D5230-02		FASTBOOT® WING RH DE-ICE BOOT	1	11.9
3	P29S-5D5225-05		FASTBOOT® HORIZONTAL STABILIZER LH DE-ICE BOOT	1	4.3
4	P29S-5D5225-06		FASTBOOT® HORIZONTAL STABILIZER RH DE-ICE BOOT	1	4.3



**CESSNA 560 XL (EXCEL)**
**STANDARD DE-ICE BOOTS**

POSITION ID	GOODRICH PART NUMBER	AIRCRAFT OEM P/N	DESCRIPTION	QTY PER AIRCRAFT	WT
1	29S4D5280-01		HORIZONTAL STABILIZER LH DE-ICE BOOT	1	5.4
2	29S4D5280-02		HORIZONTAL STABILIZER RH DE-ICE BOOT	1	5.4

**OPTIONAL STANDARD DE-ICE BOOTS**

POSITION ID	GOODRICH PART NUMBER	AIRCRAFT OEM P/N	DESCRIPTION	QTY PER AIRCRAFT	WT
1	29S4D5280-11*		HORIZONTAL STABILIZER LH (ESTANE®) DE-ICE BOOT	1	5.8
2	29S4D5280-12*		HORIZONTAL STABILIZER RH (ESTANE®) DE-ICE BOOT	1	5.8
1	S29S4D5280-21		HORIZONTAL STABILIZER LH SILVERboot™ DE-ICE BOOT	1	6.2
2	S29S4D5280-22		HORIZONTAL STABILIZER RH SILVERboot™ DE-ICE BOOT	1	6.2

\*ESTANE DE-ICE BOOTS NEED TO BE REPLACED IN PAIRS

\*ESTANE® DE-ICERS HAVE A SURFACE PLY RESISTANT TO DIESTER TYPE ENGINE OIL

**FASTboot® DE-ICE BOOTS**

POSITION ID	GOODRICH PART NUMBER	AIRCRAFT OEM P/N	DESCRIPTION	QTY PER AIRCRAFT	WT
1	P29S4D5280-11*		FASTBOOT® HORIZONTAL STABILIZER LH DE-ICE BOOT	1	5.8
2	P29S4D5280-12*		FASTBOOT® HORIZONTAL STABILIZER LH DE-ICE BOOT	1	5.8
1	PS29S4D5280-21		FASTBOOT® HORIZONTAL STABILIZER LH SILVERboot™ DE-ICE BOOT	1	6.6
2	PS29S4D5280-22		FASTBOOT® HORIZONTAL STABILIZER RH SILVERboot™ DE-ICE BOOT	1	6.6

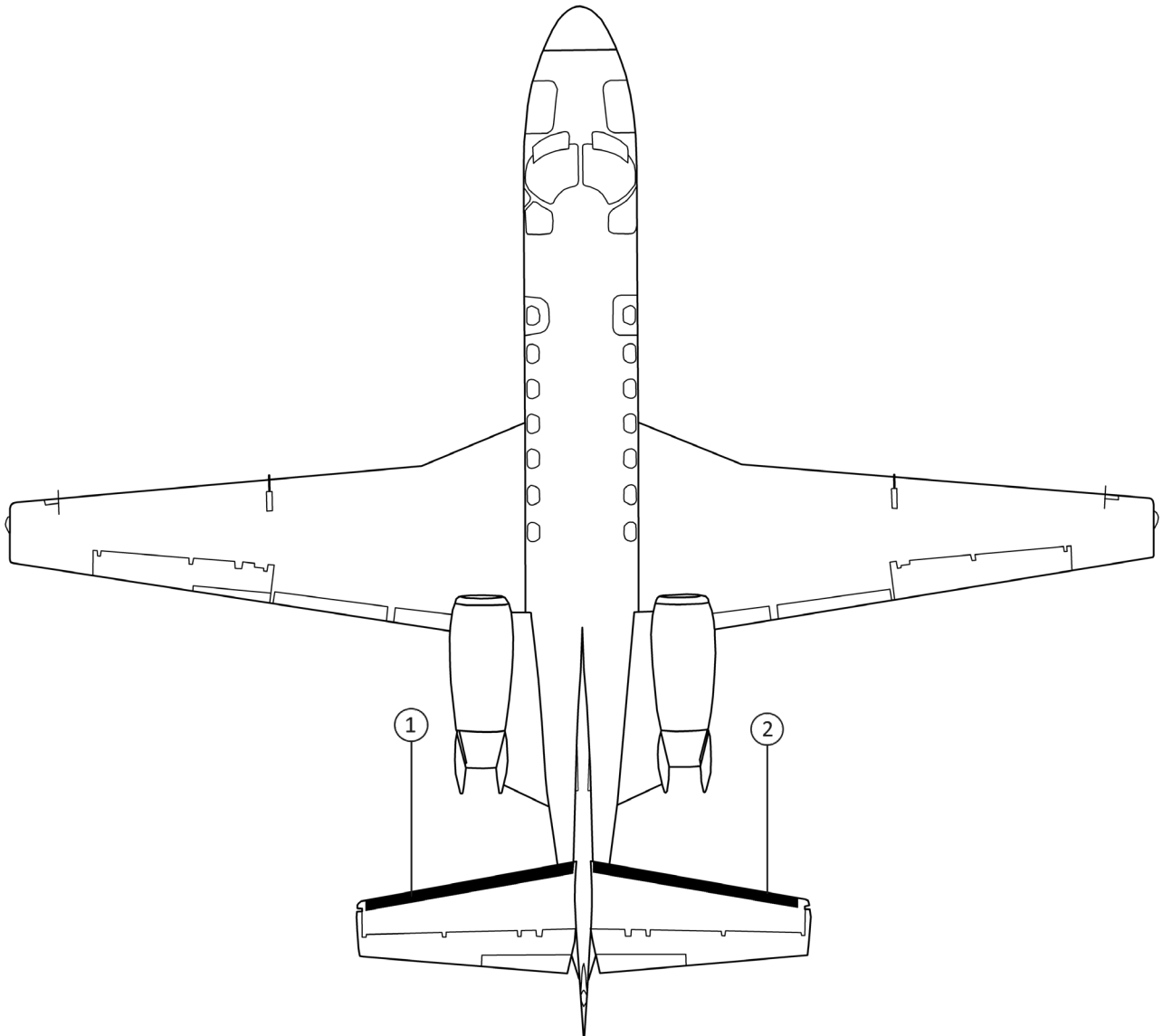
\*ESTANE DE-ICE BOOTS NEED TO BE REPLACED IN PAIRS

\*ESTANE® DE-ICERS HAVE A SURFACE PLY RESISTANT TO DIESTER TYPE ENGINE OIL

**CESSNA 560 XL (EXCEL)**

**CESSNA 560 XL (EXCEL)**

**CESSNA 560 XL (EXCEL)**



**CESSNA 560 XLS (EXCEL)**
**CESSNA 560 XLS (EXCEL)**
**STANDARD DE-ICE BOOTS**

POSITION ID	GOODRICH PART NUMBER	AIRCRAFT OEM P/N	DESCRIPTION	QTY PER AIRCRAFT	WT
1	29S4D5280-01		HORIZONTAL STABILIZER LH DE-ICE BOOT	1	5.4
2	29S4D5280-02		HORIZONTAL STABILIZER RH DE-ICE BOOT	1	5.4

**OPTIONAL STANDARD DE-ICE BOOTS**

POSITION ID	GOODRICH PART NUMBER	AIRCRAFT OEM P/N	DESCRIPTION	QTY PER AIRCRAFT	WT
1	29S4D5280-11*		HORIZONTAL STABILIZER LH (ESTANE®) DE-ICE BOOT	1	5.8
2	29S4D5280-12*		HORIZONTAL STABILIZER RH (ESTANE®) DE-ICE BOOT	1	5.8
1	S29S4D5280-21		HORIZONTAL STABILIZER LH SILVERboot™ DE-ICE BOOT	1	6.2
2	S29S4D5280-22		HORIZONTAL STABILIZER RH SILVERboot™ DE-ICE BOOT	1	6.2

\*ESTANE DE-ICE BOOTS NEED TO BE REPLACED IN PAIRS

\*ESTANE® DE-ICERS HAVE A SURFACE PLY RESISTANT TO DIESTER TYPE ENGINE OIL

**FASTboot® DE-ICE BOOTS**

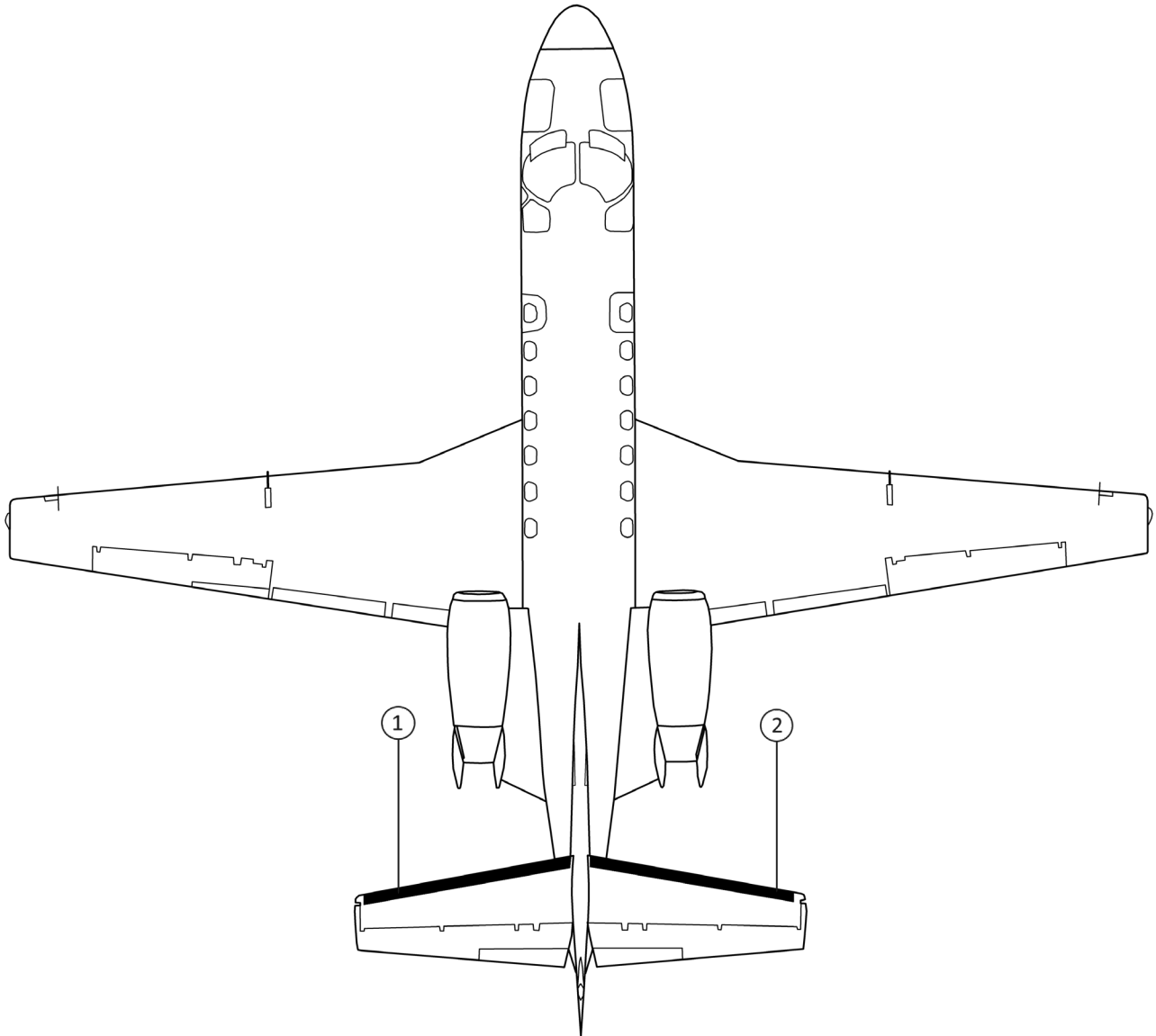
POSITION ID	GOODRICH PART NUMBER	AIRCRAFT OEM P/N	DESCRIPTION	QTY PER AIRCRAFT	WT
1	P29S4D5280-11*		FASTBOOT® HORIZONTAL STABILIZER LH DE-ICE BOOT	1	5.8
2	P29S4D5280-12*		FASTBOOT® HORIZONTAL STABILIZER RH DE-ICE BOOT	1	5.8
1	PS29S4D5280-21		FASTBOOT® HORIZONTAL STABILIZER LH SILVERboot™ DE-ICE BOOT	1	6.6
2	PS29S4D5280-22		FASTBOOT® HORIZONTAL STABILIZER RH SILVERboot™ DE-ICE BOOT	1	6.6

\*ESTANE DE-ICE BOOTS NEED TO BE REPLACED IN PAIRS

\*ESTANE® DE-ICERS HAVE A SURFACE PLY RESISTANT TO DIESTER TYPE ENGINE OIL

**CESSNA 560 XLS (EXCEL)**

**CESSNA 560 XLS (EXCEL)**



**CESSNA 560 XLS+ (EXCEL)**
**STANDARD DE-ICE BOOTS**

POSITION ID	GOODRICH PART NUMBER	AIRCRAFT OEM P/N	DESCRIPTION	QTY PER AIRCRAFT	WT
1	29S4D5280-01		HORIZONTAL STABILIZER LH DE-ICE BOOT	1	5.4
2	29S4D5280-02		HORIZONTAL STABILIZER RH DE-ICE BOOT	1	5.4

**OPTIONAL STANDARD DE-ICE BOOTS**

POSITION ID	GOODRICH PART NUMBER	AIRCRAFT OEM P/N	DESCRIPTION	QTY PER AIRCRAFT	WT
1	29S4D5280-11*		HORIZONTAL STABILIZER LH (ESTANE®) DE-ICE BOOT	1	5.8
2	29S4D5280-12*		HORIZONTAL STABILIZER RH (ESTANE®) DE-ICE BOOT	1	5.8
1	S29S4D5280-21		HORIZONTAL STABILIZER LH SILVERboot™ DE-ICE BOOT	1	6.2
2	S29S4D5280-22		HORIZONTAL STABILIZER RH SILVERboot™ DE-ICE BOOT	1	6.2

\*ESTANE DE-ICE BOOTS NEED TO BE REPLACED IN PAIRS

\*ESTANE® DE-ICERS HAVE A SURFACE PLY RESISTANT TO DIESTER TYPE ENGINE OIL

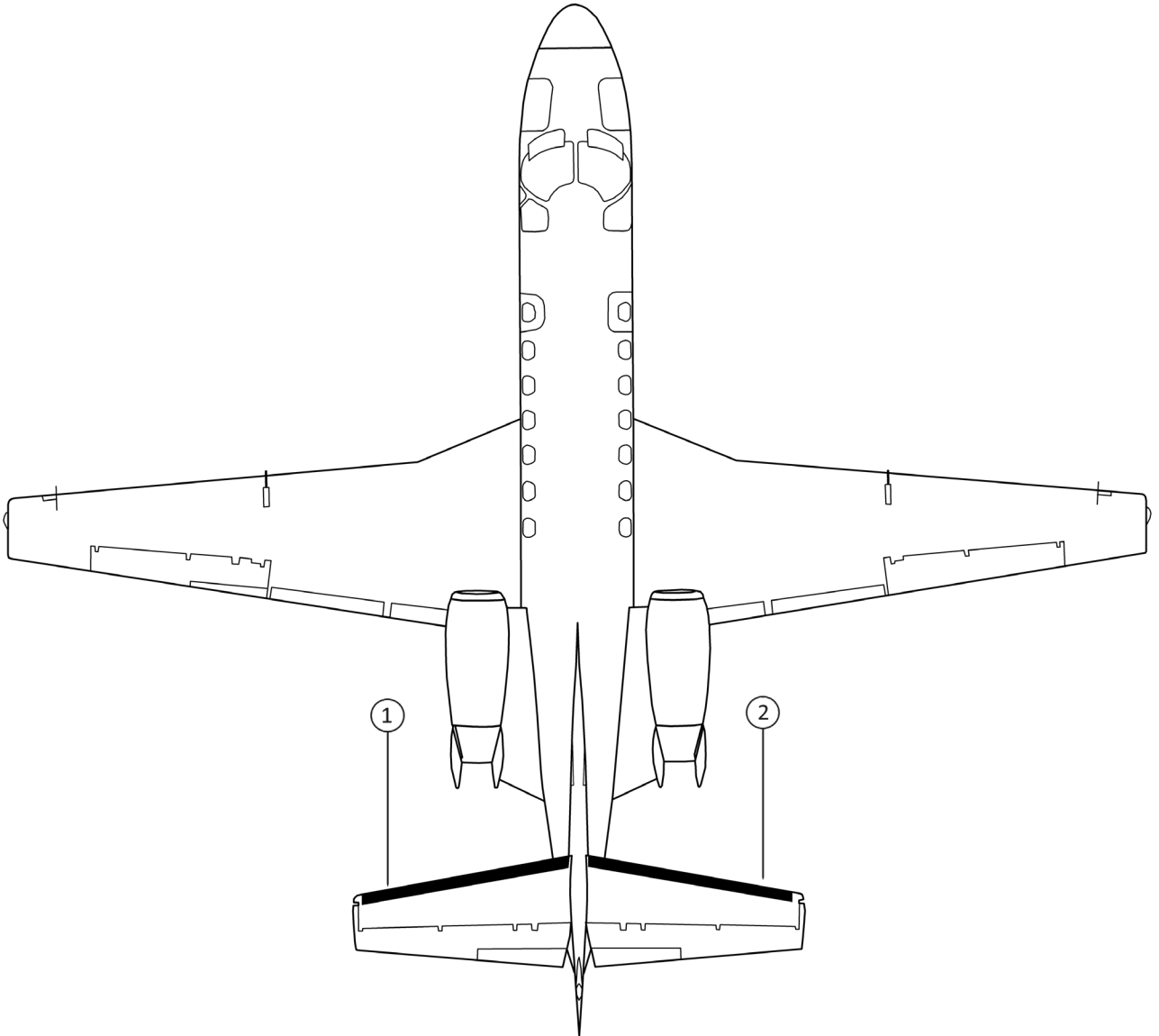
**FASTboot® DE-ICE BOOTS**

POSITION ID	GOODRICH PART NUMBER	AIRCRAFT OEM P/N	DESCRIPTION	QTY PER AIRCRAFT	WT
1	P29S4D5280-11*		FASTBOOT® HORIZONTAL STABILIZER LH DE-ICE BOOT	1	5.8
2	P29S4D5280-12*		FASTBOOT® HORIZONTAL STABILIZER LH DE-ICE BOOT	1	5.8
1	PS29S4D5280-21		FASTBOOT® HORIZONTAL STABILIZER LH SILVERboot™ DE-ICE BOOT	1	6.6
2	PS29S4D5280-22		FASTBOOT® HORIZONTAL STABILIZER RH SILVERboot™ DE-ICE BOOT	1	6.6

\*ESTANE DE-ICE BOOTS NEED TO BE REPLACED IN PAIRS

\*ESTANE® DE-ICERS HAVE A SURFACE PLY RESISTANT TO DIESTER TYPE ENGINE OIL

**CESSNA 560 XLS+ (EXCEL)**





## Pneumatic De-Icing System Components

### Switches, Timers, Water Separators, Valves, Miscellaneous Hardware

PART NUMBER	DESCRIPTION	UNIT
2D1230	Compression Washer	Each
3D2353-06	Ejector Flow Control Valve	Each
3D2495-02	Timer	Each
3D2498-02	Timer	Each
3D2600-03	Timer	Each
3D2900-01	Timer	Each
3D3519-06	Ejector Flow Control Valve	Each

### Ejectors, Valves, Water Separators

(Available through Master Distribution Aviall only)

PART NUMBER	DESCRIPTION	UNIT
19E26-2A	Air Ejector	Each
38E85-2B	Regulating Valve	Each
38E85-11A	Regulating Valve	Each

### Stall Strips

PART NUMBER	DESCRIPTION	UNIT
3D2487	Cessna 500/560	Each
3D2802	Cessna 441	Each
3D3066	Beech 2000	Each
3D3166-1	Beech 1900D E	Each
3D3166-3	Beech 1900D (neoprene)	Each
P3D3166-3	Beech 1900D (PSA neoprene)	Each

**Installation, Maintenance & Repair Materials**

PART NUMBER	DESCRIPTION	UNIT
<b>74-451-AA</b>	<b>Universal Fastpatch® Repair Kit for Pneumatic De-Icers</b>	<b>Each</b>
74-451-206	Primer Pen	Each
74-451-187	Small Oval Patch (1-1/4" x 2.5")	Lot of 30
74-451-188	Medium Oval Patch (2-1/2" x 5")	Lot of 30
74-451-189	Large Oval Patch (5"x10")	Lot of 10
74-451-192	Emery Cloth (9" x 11")	Lot of 3
74-451-87	Buffing Shield	Each
<b>74-451-AE</b>	<b>Pinhole Repair Kit for Pneumatic De-Icers</b>	<b>Each</b>
74-451-201	Accelerator	Each (8.5 gms)
74-451-202	Buffing Shield	Each
74-451-205	Application Tool	Each
74-451-209	Cement	Lot of 24
74-451-210	Mixing Cup	Lot of 24
74-451-211	Mixing Tool	Lot of 24
74-451-212	Application Template	Lot of 50
<b>74-451-AP</b>	<b>Pinhole Repair Kit for Estane® /Urethane (Silver) Pneumatic De-Icers</b>	<b>Each</b>
74-451-201	Accelerator	Each (8.5 gms)
74-451-202	Buffing Shield	Each
74-451-205	Application Tool	Each
74-451-234	Silver Cement	Lot of 24
74-451-210	Mixing Cup	Lot of 24
74-451-211	Mixing Tool	Lot of 24
74-451-212	Application Template	Lot of 50
<b>74-451-F</b>	<b>Erosion Shield Repair Kit</b>	<b>Each</b>
74-451-33	Small Oval Patch (1-1/4" x 2-1/2")	Lot of 20
74-451-34	Medium Oval Patch (2-1/2" x 5")	Lot of 10
74-451-35	2-1/2" Round Patch	Lot of 20
74-451-36	5" Round Patch	Lot of 10
74-451-37	Cement	Each (1 pt)
74-451-38	Accelerator	Each (1/2 oz)
74-451-70	1/2" Flat Cement Brush	Each
74-451-73	1/8" Metal Stitcher/Roller	Each
74-451-75	Emery Buffing Stick	Lot of 6
74-451-87	Oval Buffing Shield	Each
74-451-91	Round Buffing Shield	Each
<b>74-451-K</b>	<b>Edge Sealer for Black Estane® Pneumatic De-Icers</b>	<b>Each</b>
74-451-117-1	Sealer/Cement	Each (1 qt)
74-451-120	Accelerator	Each (4 oz)
<b>74-451-L</b>	<b>Resurfacing Kit for Black Estane® or Neoprene Pneumatic De-Icers</b>	<b>Each</b>
74-451-120	Accelerator	Each (4 oz)
74-451-122	Primer	Each (1 qt)
74-451-123	Resurfacing Coat	Each (1 qt)

**Installation, Maintenance & Repair Materials**

PART NUMBER	DESCRIPTION	UNIT
<b>74-451-P</b>	<b>Edge Sealer for Black Estane® or Neoprene De-Icers</b>	<b>Each</b>
74-451-144	(Superseded By 74-451-220)	
74-451-220	Cement	Each (1 pt)
74-451-148	Edge Sealer Strip	Each (50 ft)
74-451-150	(Superseded By 74-451-221)	
74-451-221	Accelerator	Each (1/2 oz)
74-451-185	Primer	Each (1/2 pt)
<b>74-451-Q-1</b>	<b>Edge Filler Kit for Silver De-Icers</b>	<b>Each</b>
74-451-158	Edge Filler	Each (1 pt)
74-451-159	Accelerator	Each (1/2 pt)
<b>74-451-Q-2</b>	<b>Edge Filler Kit for Silver De-Icers</b>	<b>Each</b>
74-451-160	Edge Filler	Each (1 qt)
74-451-161	Accelerator	Eact (1 pt)
<b>74-451-R-1</b>	<b>Edge Sealer Kit for Silver De-Icers</b>	<b>Each</b>
74-451-152	Accelerator	Each (1/2 oz)
74-451-169-1	Edge Sealer	Each (1 pt)
<b>74-451-R-2</b>	<b>Edge Sealer Kit for Silver De-Icers</b>	<b>Each</b>
74-451-143	Accelerator	Each (2 oz)
74-451-169-2	Edge Sealer	Each (1 qt)
<b>74-451-AQ-1</b>	<b>Edge Sealer Kit for Grey De-Icers</b>	<b>Each</b>
74-451-152	Accelerator	Each (1/2 oz)
74-451-235-1	Edge Sealer	Each (1 pt)
<b>74-451-AQ-2</b>	<b>Edge Sealer Kit for Grey De-Icers</b>	<b>Each</b>
74-451-143	Accelerator	Each (2 oz)
74-451-235-2	Edge Sealer	Each (1 qt)
<b>74-451-S-1</b>	<b>Silver De-Icer Fast patch® Repair Kit</b>	<b>Each</b>
74-451-192	Medium Grit Emery Cloth	Lot of 3
74-451-87	Buffing Shield	Each
74-451-206	Primer Pen	Each
74-451-219-1	Small Oval Patch (1-1/4"x 2")	Lot of 30
74-451-219-2	Medium Oval Patch (2-1/2"x5")	Lot of 30
74-451-219-3	Large Oval Patch (5"x10")	Lot of 10
<b>74-451-S-2</b>	<b>Silver De-Icer Surface Repair Kit</b>	<b>Each</b>
74-451-156	Surface Spray Coating	Each (8 oz)
74-451-157	Jet Spray Pack	Each
<b>74-451-Z</b>	<b>Maintenance Kit for Neoprene De-Icers</b>	<b>Each</b>
74-451-127	AgeMaster® No. 1 Rubber Preservative	Each (1 qt)
74-451-178	ShineMaster® Cosmetic Coating	Each (1 pt)
74-451-179	ShineMaster® Prep Cleaner	Each (1 qt)
ICEX® II PUMP	Ice Adhesion Inhibitor	Each (16 oz)

**Installation, Maintenance & Repair Materials**

<b>PART NUMBER</b>	<b>DESCRIPTION</b>	<b>UNIT</b>
B-118-1	3/8" Non-Kink De-icer Hose (cut in 11 foot lengths for shipment)	Linear Foot
B-118-2	5/8" Non-Kink De-icer Hose (cut in 11 foot lengths for shipment)	Linear Foot
B-118-3	3/4" Non-Kink De-icer Hose (cut in 11 foot lengths for shipment)	Linear Foot
B-118-7	1/2" Non-Kink De-icer Hose (cut in 11 foot lengths for shipment)	Linear Foot
ICEX® II 6oz	Wipe-on Ice Adhesion Inhibitor	Each (6 oz)
ICEX® II PUMP	Non-Aerosol Pump Spray Ice Adhesion Inhibitor	Each (16 oz)
ICEX® II QUART	Wipe-on Ice Adhesion Inhibitor (minimum buy - 12 each)	Each (1 qt)
3D1819-8-10	1/2" Diameter Plastic Pneumatic System Tubing	Foot
74-451-11	A-56-B Conductive Edge Sealer for Neoprene Pneumatic De-Icers	Each (1/2 pt)
74-451-11-1	A-56-B Conductive Edge Sealer for Neoprene Pneumatic De-Icers	Each (1 qt)
74-451-33	Small Oval Patch 1-1/4"x 2-1/2" for Neoprene Erosion Shield	Lot of 20
74-451-34	Medium Oval Patch 2-1/2" x 5" for Neoprene Erosion Shield	Lot of 10
74-451-35	2-1/2" Round Patch for Neoprene Erosion Shield (74-451-F Kit)	Lot of 20
74-451-36	5" Round Patch for Neoprene Erosion Shield (74-451-F Kit)	Lot of 10
74-451-37	A-68-B Patch Cement for Neoprene Erosion Shield Patches (74-451-F Kit)	Each (1 pt)
74-451-38	A-53-B Accelerator for Patch Cement (74-451-F Kit)	Each (1/2 oz)
74-451-45	Hook Knife	Each
74-451-70	Cement Brush (74-451-F Kit)	Lot of 2
74-451-73	1/8" Metal Stitcher Roller for Patch Installation (74-451-F Kit)	Each
74-451-74	2"x 2-1/2" Rubber Roller for De-Icer Installation & Patch Application	Each
74-451-75	Emery Buffing Stick (74-451-F Kit)	Lot of 6
74-451-87	Oval Buffing Shield (74-451-AA & 74-451-F & 74-451-S-1 Kits)	Each
74-451-89	1/4" Steel Stitcher Roller for De-Icer Installation & Patch Application	Each
74-451-91	Round Buffing Shield for Erosion Shield Patch Preparation (74-451-F Kit)	Each
74-451-99	A-851-B Fuel Barrier Cement for Pneumatic De-Icer Installation	Each (1 qt)
74-451-117-1	Edge Sealer for Black Estane® Pneumatic De-Icers (74-451-K Kit)	Each (1 qt)
74-451-120	Accelerator for Black Estane® Pneumatic De-Icer Edge Sealer (74-451-K Kit) Accelerator for Black Pneumatic De-Icer Resurfacing Kit (74-451-L Kit)	Each (4 oz)
74-451-122	Primer for Resurfacing Black Neoprene Pneumatic De-Icers (74-451-L Kit)	Each (1 qt)
74-451-123	Resurfacing Coat for Black Pneumatic De-Icers (74-451-L Kit)	Each (1 qt)
74-451-127	Age Master® No. 1 Ice Adhesion inhibitor (74-451-Z Kit)	Each (1 qt)
74-451-143	Accelerator for Silver De-Icers Edge Sealer (74-451-Z Kit)	Each (2 oz)
74-451-144	Superseded By 74-451-220	
74-451-148	Edge Sealer Tape for Black Pneumatic De-Icers (74-451-P Kit)	Each (50 ft)
74-451-150	Superseded By 74-451-222	
74-451-152	Accelerator (74-451-R-1 Kit)	Each (1/2 oz)
74-451-156	Silver Surface Spray for Silver De-Icer Touch-up (74-451-S-2 Kit)	Each (8 oz)
74-451-157	Jet Spray Pack for Silver De-Icer Touch-up (74-451-S-2 Kit)	Each
74-451-158	Edge Filler for Silver De-Icers (74-451-Q-1 Kit)	Each (1 pt)
74-451-159	Accelerator for Edge Filler for Silver De-Icers (74-451-Q-1 Kit)	Each (1/2 pt)
74-451-160	Edge Filler for Silver De-Icers (74-451-Q-2 Kit)	Each (1 qt)
74-451-161	Accelerator for Edge Filler for Silver De-Icers (74-451-Q-2 Kit)	Each (1 pt)

**Installation, Maintenance & Repair Materials**

<b>PART NUMBER</b>	<b>DESCRIPTION</b>	<b>UNIT</b>
74-451-167	Silver Surface Spray for Silver De-Icer Repair (74-451-S-2 Kit)	Each (1 gal)
74-451-169-1	Silver De-Icer Edge Sealer (74-451-R-1 Kit)	Each (1 pt)
74-451-169-2	Silver De-Icer Edge Sealer (74-451-R-2 Kit)	Each (1 qt)
74-451-178	ShineMaster® Cosmetic Coating for De-Icers	Each (1 pt)
74-451-179	ShineMaster® Prep Cleaner for De-Icers	Each (1 qt)
74-451-180	Edge Filler for Black Pneumatic De-Icers (PRC 1425-2 part Kit)	Each (1/2 pt)
74-451-185	Primer for Edge Sealer Tape for Black Pneumatic De-Icers (74-451-P Kit)	Each (1/2 pt)
74-451-187-1	Small Oval Patch, 1-1/4" x 2", for Black Pneumatic De-Icer Repair (74-451-AA Kit)	Lot of 1
74-451-187-5	Small Oval Patch, 1-1/4" x 2", for Black Pneumatic De-Icer Repair (74-451-AA Kit)	Lot of 5
74-451-187	Small Oval Patch, 1-1/4" x 2", for Black Pneumatic De-Icer Repair (74-451-AA Kit)	Lot of 30
74-451-188-1	Medium Oval Patch, 2-1/2" x 5", for Black Pneumatic De-Icer Repair (74-451-AA Kit)	Lot of 1
74-451-188-5	Medium Oval Patch, 2-1/2" x 5", for Black Pneumatic De-Icer Repair (74-451-AA Kit)	Lot of 5
74-451-188	Medium Oval Patch, 2-1/2" x 5", for Black Pneumatic De-Icer Repair (74-451-AA Kit)	Lot of 30
74-451-189-1	Large Oval Patch, 5" x 10", for Black Pneumatic De-Icer Repair (74-451-AA Kit)	Lot of 1
74-451-189-2	Large Oval Patch, 5" x 10", for Black Pneumatic De-Icer Repair (74-451-AA Kit)	Lot of 2
74-451-189	Large Oval Patch, 5" x 10", for Black Pneumatic De-Icer Repair (74-451-AA Kit)	Lot of 10
74-451-192	Emery Cloth 9" x 11" for Patch Repair Preparation (74-451-AA & 74-451-S-1 Kits)	Lot of 3
74-451-201	Accelerator for Pinhole Repair Material (74-451-AE Kit)	Each (1/4 oz)
74-451-202	Buffing Shield for Pinhole Repair Preparation (74-451-AE Kit)	Each
74-451-205	Application Tool for Pinhole Repair Material (74-451-AE Kit)	Each
74-451-206	Fastpatch® Primer (74-451-AA & 74-451-S-1 Kits)	Each (2 oz)
74-451-207	Fastboot® Primer for Fastboot De-Icers	Each (1/2 pt)
74-451-209	Cement, Pinhole Repair Material (74-451-AE Kit) 8.5 grams per packet	Lot of 24
74-451-210	Mixing Cup for Pinhole Repair Material (74-451-AE Kit)	Lot of 24
74-451-211	Mixing Tool for Pinhole Repair Material (74-451-AE Kit)	Lot of 24
74-451-212	Application Template for Pinhole Repair Material (74-451-AE Kit)	Lot of 50
74-451-219-1-5	Small (1-1/4" x 2") Oval Patch for Silver Pneumatic De-Icers (74-451-S-1 Kit)	Lot of 5
74-451-219-1	Small (1-1/4" x 2") Oval Patch for Silver Pneumatic De-Icers (74-451-S-1 Kit)	Lot of 30
74-451-219-2-5	Medium (2-1/2" x 5") Oval Patch for Silver Pneumatic De-Icers (74-451-S-1 Kit)	Lot of 5
74-451-219-2	Medium (2-1/2" x 5") Oval Patch for Silver Pneumatic De-Icers (74-451-S-1 Kit)	Lot of 30
74-451-219-3-2	Large (5" x 10") Oval Patch for Silver Pneumatic De-Icers (74-451-S-1 Kit)	Lot of 2
74-451-219-3	Large (5" x 10") Oval Patch for Silver Pneumatic De-Icers (74-451-S-1 Kit)	Lot of 10
74-451-220	Cement for Black Pneumatic De-Icer Tape Edge Sealer (74-451-P Kit)	Each (1 pt)
74-451-221	Black Pneumatic De-Icer Tape Edge Sealer Accelerator (74-451-P Kit)	Each (1/2 oz)
74-451-237-32	Aerospace Protectant 32oz.	Each (32 oz)
74-451-238-32	Aerospace Cleaner 32oz.	Each (32 oz)
74-451-239-16	SILVERboot™ Polish 16oz	Each (16 oz)
76-150	Cement/Accelerator for Erosion Shoe Installation (2-part Kit)	Each
82-076 (77-798)	Edge Sealer/Accelerator Kit for Propeller De-Icers (2-part Kit)	Each
95-271	Installation Kit for Erosion Shield	Each

# **Prop De-Icers and Hardware Kits**

**Prop De-Icers and Hardware Kits**
**BEECH**

AIRCRAFT MODEL	BLADE	PART NUMBER	DESCRIPTION	
1079	Hartzell HC-B3WF-4	4E1746-2	Prop De-Icer	
		3E1575-1	Timer	
		4E1749-2	Brush Block Assemblies - Modular	
		4E1853-1	Slip Ring	
18	Hartzell HC-B3TN-3	4E1188-3, 4E1188-4	Dual Element Prop De-Icer	
		3E1150-10	Prop De-Ice Timer (14/28 Vdc - 34 Amp - 4 Outputs - 34 Sec)	
		3E2044-1	Modular Brush Block Assembly	
		4E1555-1	Slip Ring Assembly	
	Hartzell HC-B3	4E1188-3	Prop De-Icer	
		3E1150-10	Prop De-Ice Timer (14/28 Vdc - 34 Amp - 4 Outputs - 34 Sec)	
		3E2044-1	Modular Brush Block Assembly	
		4E1287-1	Slip Ring Assembly	
	Hartzell HC-B3TN-5	4E1188-3, 4E1188-5	Dual Element Prop De-Icer	
		4E1889-2	Wire Harness Assembly (3-Wire - 12.76"L)	
		3E1150-10	Prop De-Ice Timer (14/28 Vdc - 34 Amp - 4 Outputs - 34 Sec)	
		3E1405-2	Modular Brush & Mounting Bracket Assembly	
		4E1526-1	Slip Ring Assembly	
		4E2200-10	Hotprop® Prop De-Icer	
3E2092-2/6887		Wire Harness Assembly - (2-Wire - 14.56"L - Molded End)		
33, 35, 36	McCaughey 2A36C23/C82	4E1214-3	Dual Element Prop De-Icer	
		3E1150-10	Prop De-Ice Timer (14/28 Vdc - 34 Amp - 4 Outputs - 34 Sec)	
		3E2042-1	Modular Brush Block Assembly	
		4E1635	Slip Ring & Holder Assembly	
		4E2292-3	Hotprop® Prop De-Icer	
		3E1899-1	Prop De-Ice Timer (14/28 Vdc - 34A - 90 On/90 Off - Immediate On)	
	McCaughey 3A32C76	4E1214-3	Dual Element Prop De-Icer	
		3E1150-10	Prop De-Ice Timer (14/28 Vdc - 34 Amp - 4 Outputs - 34 Sec)	
		3E2042-1	Modular Brush Block Assembly	
		4E1681	Slip Ring & Holder Assembly	
		4E2292-3	Hotprop® Prop De-Icer	
		3E1899-1	Prop De-Ice Timer (14/28 Vdc - 34A - 90 On/90 Off - Immediate On)	
	F33A, F33C, S35, V35A, V35B, 36, A36	Hartzell HC-F3YR-1RF	4E2292-2	Hotprop® Prop De-Icer, 14V
			3E1964-3	Prop De-Ice Timer (14/28 Vdc - 34A - 2 Outputs - 20 Sec - Manual Step)
3E2071			Modular Brush Assembly	
4E2200-3			Hotprop® Prop De-Icer, 28V	
3E1964-3			Prop De-Ice Timer (14/28 Vdc - 34A - 2 Outputs - 20 Sec - Manual Step)	
3E2071			Modular Brush Assembly	

**Prop De-Icers and Hardware Kits**
**BEECH (CONTINUED)**

AIRCRAFT MODEL	BLADE	PART NUMBER	DESCRIPTION
F33A, 35-C33A, A35B, S-35,V-35, A36TC, A36, B36TC	McCauley 3A32C76 or Hartzell PHC-C3YF-1RF	4E2200-2	Hotprop® Prop De-Icer
		3E1964-3	Prop De-Ice Timer (14/28 Vdc - 34A - 2 Outputs - 20 Sec - Manual Step)
		3E2062-2	Modular Brush Assembly
		4E2267	Slip Ring Assembly
S35,V35	Hartzell PHC-A3VF-4	4E1214-3	Dual Element Prop De-Icer
		3E1150-10	Prop De-Ice Timer (14/28 Vdc - 34 Amp - 4 Outputs - 34 Sec)
		3E2042-1	Modular Brush Block Assembly
		4E1650	Slip Ring Assembly
		4E2292-3	Hotprop® Prop De-Icer
		3E1899-1	Prop De-Ice Timer (14/28 Vdc - 34A - 90 On/90 Off - Immediate On)
V35	McCauley 2A36C82/C23	4E2200-8	Thermal Efficient Prop De-Icer
		3E1964-3	Prop De-Ice Timer (14/28 Vdc - 34A - 2 Outputs - 20 Sec - Manual Step)
		3E2062-2	Modular Brush Assembly
		4E2324	Slip Ring Assembly
	McCauley 2A37C223	4E2200-2	Hotprop® Prop De-Icer
		3E1964-3	Prop De-Ice Timer (14/28 Vdc - 34A - 2 Outputs - 20 Sec - Manual Step)
		3E2062-2	Modular Brush Assembly
		4E2324	Slip Ring Assembly
A36	Hartzell HC-C4YF-1E	4E2200-2	Hotprop® Prop De-Icer
		3E1964-3	Prop De-Ice Timer (14/28 Vdc - 34A - 2 Outputs - 20 Sec - Manual Step)
		3E2062-2	Modular Brush Assembly
		4E2972	Slip Ring Assembly
A36,A36TC	Hartzell HC-B3TF-7A	4E3048-10	Prop De-Icer Thermal Efficient
		3E2507-1	Wire Harness Assembly (2-Wire - 12.76"L - Molded End)
		3E1899-1	Prop De-Ice Timer (14/28 Vdc - 34A - 90 On/90 Off - Immediate On)
		3E2062-2	Modular Brush Assembly
A36,B36TC	Hartzell PHC-3CYF-1RF	4E2200-2	Hotprop® Prop De-Icer
		3E1964-3	Prop De-Ice Timer (14/28 Vdc - 34A - 2 Outputs - 20 Sec - Manual Step)
		3E2062-2	Modular Brush Assembly
		4E2267-1	Slip Ring Assembly
E50, F50, G50, H50, 65	Hartzell HC-B3T/B3Z	4E1270	Prop De-Icer
		3E1150-10	Prop De-Ice Timer (14/28 Vdc - 34 Amp - 4 Outputs - 34 Sec)
		4E1283/3E2044-1	Modular Brush Block Assembly
		4E1282/4E1424-1	Slip Ring Assembly



**Prop De-Icers and Hardware Kits**
**BEECH (CONTINUED)**

AIRCRAFT MODEL	BLADE	PART NUMBER	DESCRIPTION	
E50, F50, J50, J65, 65-80, 65-88	Hartzell HC-B3T/B3Z	4E1188-3	Dual Element Prop De-Icer	
		3E1150-10	Prop De-Ice Timer (14/28 Vdc - 34 Amp - 4 Outputs - 34 Sec)	
		3E2044-4	Brush Block Assemblies - Modular	
		4E1287-2	Slip Ring Assembly	
		4E2200-3	Hotprop® Prop De-Icer	
		3E1964-3	Prop De-Ice Timer (14/28 Vdc - 34A - 2 Outputs - 20 Sec - Manual Step)	
B55, E55	Hartzell BHC-C2YF-2C	4E1188-3	Dual Element Prop De-Icer	
		3E1150-10	Prop De-Ice Timer (14/28 Vdc - 34 Amp - 4 Outputs - 34 Sec)	
		3E2042-1	Modular Brush Block Assembly	
		4E1923-1	Slip Ring & Holder Assembly	
		4E2271-10	Hotprop® Prop De-Icer	
		3E2094-2/6956	Wire Harness Assembly (2 Wire - 18.031"L - Molded End)	
		3E1964-3	Prop De-Ice Timer (14/28 Vdc - 34A - 2 Outputs - 20 Sec - Manual Step)	
	Hartzell PHC-C3YR-2	4E1188-3	Dual Element Prop De-Icer	
		3E1150-10	Prop De-Ice Timer (14/28 Vdc - 34 Amp - 4 Outputs - 34 Sec)	
		3E2042-1	Modular Brush Block Assembly	
		4E1924-1	Slip Ring Assembly	
		4E2271-10	Hotprop® Prop De-Icer	
		3E2094-1/6955	Wire Harness Assembly (2 Wire - 14.969"L - Molded End)	
		3E1964-3	Prop De-Ice Timer (14/28 Vdc - 34A - 2 Outputs - 20 Sec - Manual Step)	
	Hartzell CHC-C2YF-2C	4E1601-7	Dual Element Prop De-Icer	
		4E1967-5/6966	Wire Harness (3 Wire - 18"L)	
		3E1150-10	Prop De-Ice Timer (14/28 Vdc - 34 Amp - 4 Outputs - 34 Sec)	
		3E2042-1	Modular Brush Block Assembly	
		4E1923-1	Slip Ring & Holder Assembly	
		4E2271-10	Hotprop® Prop De-Icer	
		3E2094-2/6956	Wire Harness Assembly (2 Wire - 18.031"L - Molded End)	
		3E1964-3	Prop De-Ice Timer (14/28 Vdc - 34A - 2 Outputs - 20 Sec - Manual Step)	
	B55, E55	Hartzell PHC-C3YF-2	4E1601-7	Dual Element Prop De-Icer
			4E1967-4/6965	Wire Harness Assembly (2 Wire - 14.969"L - Molded End)

**Prop De-Icers and Hardware Kits**
**BEECH (CONTINUED)**

AIRCRAFT MODEL	BLADE	PART NUMBER	DESCRIPTION
B55, E55	Hartzell PHC-C3YF-2	3E1150-10	Prop De-Ice Timer (14/28 Vdc - 34 Amp - 4 Outputs - 34 Sec)
		3E2042-1	Modular Brush Block Assembly
		4E1924-1	Slip Ring Assembly
		4E2271-10	Hotprop® Prop De-Icer
		3E2094-1/6955	Wire Harness Assembly (2 Wire - 14.969"L - Molded End)
		3E1964-3	Prop De-Ice Timer (14/28 Vdc - 34A - 2 Outputs - 20 Sec - Manual Step)
B55,E55 no air conditioning	Hartzell BHC-C2YF-2C	4E2271-10	Hotprop® Prop De-Icer
		3E2050-2/6961	Wire Harness Assembly (2 Wire - 17.062"L - Molded End)
		3E1964-3	Prop De-Ice Timer (14/28 Vdc - 34A - 2 Outputs - 20 Sec - Manual Step)
		3E2062-2	Modular Brush Assembly
		4E2440	Slip Ring Assembly
	Hartzell PHC-C3YF	4E2271-10	Hotprop® Prop De-Icer
		3E2050/6960	Wire Harness Assembly (2 Wire - 14"L - Molded End)
		3E1964-3	Prop De-Ice Timer (14/28 Vdc - 34A - 2 Outputs - 20 Sec - Manual Step)
		3E2062-2	Modular Brush Assembly
		4E2446	Slip Ring Assembly
C55	McCauley 2AF-36C39/2AF34/C55	4E1188-3	Dual Element Prop De-Icer
		3E1150-12	Prop De-Ice Timer (14/28 Vdc - 34 Amp - 4 Outputs - 34 Sec)
		3E2042-1/3E2042-2	Modular Brush Block Assembly
		4E1494	Slip Ring Assembly
E55,58	Hartzell PHC-J3YF-2	4E2271-10	Hotprop® Prop De-Icer
		3E2050/6960	Wire Harness Assembly (2 Wire - 14"L - Molded End)
		3E1964-3	Prop De-Ice Timer (14/28 Vdc - 34A - 2 Outputs - 20 Sec - Manual Step)
		3E2071	Modular Brush Assembly
		4E2375-1/4E2377-1	Slip Ring Assembly
	Hartzell BHC-J2YF-2	4E2271-10	Hotprop® Prop De-Icer
		3E2050-2/6961	Wire Harness Assembly (2 Wire - 17.062"L - Molded End)
		3E1964-3	Prop De-Ice Timer (14/28 Vdc - 34A - 2 Outputs - 20 Sec - Manual Step)
		3E2071	Modular Brush Assembly
		4E2371/4E2373	Slip Ring Assembly
56TC,60	Hartzell HC-F3YR-2	4E1188-3	Dual Element Prop De-Icer

**Prop De-Icers and Hardware Kits**
**BEECH (CONTINUED)**

AIRCRAFT MODEL	BLADE	PART NUMBER	DESCRIPTION
56TC, 60	Hartzell HC-F3YR-2	3E1150-10	Prop De-Ice Timer (14/28 Vdc - 34 Amp - 4 Outputs - 34 Sec)
		4E1633	Mounting Plate & Brush Block Assembly
		4E1637-2	Starter Ring Gear Assembly
		4E2271-10	Hotprop® Prop De-Icer
		3E2094-1/6955	Wire Harness Assembly (2 Wire - 14.969"L - Molded End)
		3E1964-1	Prop De-Ice Timer (14/28 Vdc - 34A - 2 Outputs - 34 Sec - Manual Step)
	Hartzell HC-F3YR-2	4E1601-7	Dual Element Prop De-Icer
		4E1967-4/6965	Wire Harness (3 Wire - 15"L)
		3E1150-10	Prop De-Ice Timer (14/28 Vdc - 34 Amp - 4 Outputs - 34 Sec)
		4E1633	Mounting Plate & Brush Block Assembly
		4E1637-2	Starter Ring Gear Assembly
		4E2271-10	Hotprop® Prop De-Icer
		3E2094-1/6955	Wire Harness Assembly (2 Wire - 14.969"L - Molded End)
	Harzell HC-F2YR-2	3E1964-3	Prop De-Ice Timer (14/28 Vdc - 34A - 2 Outputs - 20 Sec - Manual Step)
		4E1188-3	Dual Element Prop De-Icer
3E1150-10		Prop De-Ice Timer (14/28 Vdc - 34 Amp - 4 Outputs - 34 Sec)	
58	Hartzell HC-J2YF-2C	4E1633	Mounting Plate & Brush Block Assembly
		4E1188-3	Dual Element Prop De-Icer
		3E1150-10	Prop De-Ice Timer (14/28 Vdc - 34 Amp - 4 Outputs - 34 Sec)
		3E2046-1	Modular Brush Block Assembly
	Hartzell PHC-3YF-2	4E1918-1	Slip Ring Assembly
		4E1188-3	Dual Element Prop De-Icer
		3E1150-10	Prop De-Ice Timer (14/28 Vdc - 34 Amp - 4 Outputs - 34 Sec)
		3E2046-1	Modular Brush Block Assembly
	Hartzell BHC-J2YF-2C	4E1926-1	Slip Ring Assembly
		4E1601-7/-10	Dual Element Prop De-Icer
	Hartzell BHC-J2YF-2C	4E1967-5/6966	Wire Harness (3 Wire - 18"L)
		4E1967-3	Wire Harness (3 Wire - 18"L), for 4E1601-7
		3E1150-10	Prop De-Ice Timer (14/28 Vdc - 34 Amp - 4 Outputs - 34 Sec)
		3E2046-3	Modular Brush Block Assembly
		4E1918-1	Slip Ring Assembly Left and Right Prop Air Conditioning : Right Prop No Air Conditioning
4E2087		Slip Ring Assembly Left Prop Air Conditioning	

**Prop De-Icers and Hardware Kits**
**BEECH (CONTINUED)**

AIRCRAFT MODEL	BLADE	PART NUMBER	DESCRIPTION
58	Hartzell BHC-J2YF-2C	4E1601-7/-10	Dual Element Prop De-Icer
		4E1967-5/6966	Wire Harness (3 Wire - 18"L)
		4E1967-3	Wire Harness (3 Wire - 18"L), for 4E1601-7
		3E1150-10	Prop De-Ice Timer (14/28 Vdc - 34 Amp - 4 Outputs - 34 Sec)
		3E2046-3	Modular Brush Block Assembly
		4E1918-1	Slip Ring Assembly Left and Right Prop Air Conditioning : Right Prop No Air Conditioning
		4E2087	Slip Ring Assembly Left Prop Air Conditioning
		4E2271-10	Hotprop® Prop De-Icer
		3E2094-2/6956	Wire Harness Assembly (2 Wire - 18.031"L - Molded End)
		3E1964-3	Prop De-Ice Timer (14/28 Vdc - 34A - 2 Outputs - 20 Sec - Manual Step)
	Hartzell HC-J3YF-2UF	4E1601-7/-10	Dual Element Prop De-Icer
		4E1967-4/6968	Wire Harness (3 Wires - 15"L)
		4E1967-3	Wire Harness (3 Wire - 18"L), for 4E1601-7
		3E1150-10	Prop De-Ice Timer (14/28 Vdc - 34 Amp - 4 Outputs - 34 Sec)
		3E2046-3	Modular Brush Block Assembly
		4E1926-1	Slip Ring Assembly Left and Right Prop No Air Conditioning : Right Prop Air Conditioning
		4E2155	Slip Ring Assembly Left Prop Air Conditioning
		4E2271-10	Hotprop® Prop De-Icer
		3E2094-1/6955	Wire Harness Assembly (2 Wire - 14.969"L - Molded End)
		3E1964-3	Prop De-Ice Timer (14/28 Vdc - 34A - 2 Outputs - 20 Sec - Manual Step)
	Hartzell PHC-J3YF-2UF	4E2271-13	Hotprop® Prop De-Icer
		3E2050	Wire Harness (13.94"L)
		3E1964-3	Prop De-Ice Timer (14/28 Vdc - 34A - 2 Outputs - 20 Sec - Manual Step)
		3E2071	Modular Brush Assembly
		4E3422-1/4E2377-1	Slip Ring Assembly
	McCauley D3AF32C35	4E1188-3	Dual Element Prop De-Icer
		3E1150-10	Prop De-Ice Timer (14/28 Vdc - 34 Amp - 4 Outputs - 34 Sec)
		3E2046-3	Modular Brush Block Assembly
		4E1882-1	Slip Ring Assembly
	60	Hartzell HC-F3YR-2	4E2271-10
3E2050/6960			Wire Harness Assembly (2 Wire - 14"L - Molded End)

**Prop De-Icers and Hardware Kits**
**BEECH (CONTINUED)**

AIRCRAFT MODEL	BLADE	PART NUMBER	DESCRIPTION
60	Hartzell HC-F3YR-2	3E1964-3	Prop De-Ice Timer (14/28 Vdc - 34A - 2 Outputs - 20 Sec - Manual Step)
		3E2151	Brush Assembly
		5E1934	Slip Ring Assembly
65, 65-80, 65-A80-8800, 65-B80, 65-88, A65, 70	Hartzell HC-A3VK-2A	4E1188-4	Dual Element Prop De-Icer
		3E1150-10	Prop De-Ice Timer (14/28 Vdc - 34 Amp - 4 Outputs - 34 Sec)
		3E2046-1	Modular Brush Block Assembly
		5E1583-1	Slip Ring Assembly
65-90	Hartzell HC-B3TN-2	4E1188-3	Dual Element Prop De-Icer
		3E1150-10	Prop De-Ice Timer (14/28 Vdc - 34 Amp - 4 Outputs - 34 Sec)
		3E2042-1	Modular Brush Block Assembly
		4E1454	Slip Ring Assembly
		4E2200-10	Hotprop® Prop De-Icer
		3E2092-3/6887	Wire Harness Assembly (3 Wire - 14.75"L - Molded End)
		3E1964-3	Prop De-Ice Timer (14/28 Vdc - 34A - 2 Outputs - 20 Sec - Manual Step)
65-90,99,100	Hartzell HC-B3TN-3	4E1188-3/-4	Dual Element Prop De-Icer
		3E1150-10	Prop De-Ice Timer (14/28 Vdc - 34 Amp - 4 Outputs - 34 Sec)
		3E2044-1	Modular Brush Block Assembly
		4E1555-1	Slip Ring Assembly Left and Right Prop, No Target Screws
		4E1555-2	Slip Ring Assembly Left Prop Target Screws (master), used with 4E1555-3
		4E1555-3	Slip Ring Assembly Right Prop Target Screws (Slave), used with 4E1555-2
		4E2200-10	Hotprop® Prop De-Icer
		3E2092-2/6887	Wire Harness Assembly (3 Wire - 14.75"L - Molded End)
		3E1964-3	Prop De-Ice Timer (14/28 Vdc - 34A - 2 Outputs - 20 Sec - Manual Step)
65-90, 99, 100, 200	Hartzell HC-B3TN-3	4E1188-5	Dual Element Prop De-Icer
		4E1889-2/7021	Wire Harness (3 Wire - 12.75"L)
		3E1150-10	Prop De-Ice Timer (14/28 Vdc - 34 Amp - 4 Outputs - 34 Sec)
		3E2044-1	Modular Brush Block Assembly
		4E1555-1	Slip Ring Assembly Left and Right Prop, No Target Screws
		4E1555-2	Slip Ring Assembly Left Prop Target Screws (master), used with 4E1555-3
		4E1555-3	Slip Ring Assembly Right Prop Target Screws (Slave), used with 4E1555-2

**Prop De-Icers and Hardware Kits**
**BEECH (CONTINUED)**

AIRCRAFT MODEL	BLADE	PART NUMBER	DESCRIPTION
65-90, 99, 100, 200	Hartzell HC-B3TN-3	4E2200-10	Hotprop® Prop De-Icer
		3E2092-2/6887	Wire Harness Assembly (3 Wire - 14.75"L - Molded End)
		3E1964-3	Prop De-Ice Timer (14/28 Vdc - 34A - 2 Outputs - 20 Sec - Manual Step)
90, 99, 200	Hartzell HC-B3TN-3	4E2200-10	Hotprop® Prop De-Icer
		3E2092-2/6887	Wire Harness Assembly (3 Wire - 14.75"L - Molded End)
		3E1964-3	Prop De-Ice Timer (14/28 Vdc - 34A - 2 Outputs - 20 Sec - Manual Step)
		3E2090-1	Modular Brush Assembly
		4E2442-1	Slip Ring Assembly
B90, C90, C90A, E90, 65-A90, 100, A100, 200 series	Hartzell HC-D4N-3A	4E2271-10	Hotprop® Prop De-Icer
		3E2092-4/6834	Wire Harness Assembly (Two Wires - 17.625"L - Molded End)
		3E2090-1	Modular Brush Assembly
		4E2674-2	Slip Ring Assembly
C90A	Hartzell HC-E4N-3N	4E2271-10	Hotprop® Prop De-Icer
		3E2092-4	Wire Harness - Molded (Two Wires)
		3E1964-3	Prop De-Ice Timer (14/28 Vdc - 34A - 2 Outputs - 20 Sec - Manual Step)
		3E2090-1	Modular Brush Assembly
		4E2674-2	Slip Ring Assembly
F90,A100	Hartzell HC-B4TN-3	4E2200-10	Hotprop® Prop De-Icer
		3E2092-3/6952	Wire Harness Assembly (2 Wire - 14.312"L - Molded End)
		3E1964-3	Prop De-Ice Timer (14/28 Vdc - 34A - 2 Outputs - 20 Sec - Manual Step)
		3E2090-1	Modular Brush Assembly
		4E2444-1	Slip Ring Assembly
	Hartzell HC-B4TN-3	4E1188-5	Dual Element Prop De-Icer
		4E1889-3/6959	Wire Harness (3 Wire - 12.406"L)
		3E1150-10	Prop De-Ice Timer (14/28 Vdc - 34 Amp - 4 Outputs - 34 Sec)
		3E2044-1	Modular Brush Block Assembly
		4E1676-1	Slip Ring Assembly No Target Screws
		4E1676-2	Slip Ring Assembly Left Prop Target Screws
		4E1676-3	Slip Ring Assembly Right Prop Target Screws
		4E2200-10	Hotprop® Prop De-Icer
		3E2092-3/6952	Wire Harness Assembly (2 Wire - 14.312"L - Molded End)
		3E1964-3	Prop De-Ice Timer (14/28 Vdc - 34A - 2 Outputs - 20 Sec - Manual Step)

**Prop De-Icers and Hardware Kits**
**BEECH (CONTINUED)**

AIRCRAFT MODEL	BLADE	PART NUMBER	DESCRIPTION
95	Hartzell	4E1188-1	Dual Element Prop De-Icer
		3E1150-10	Prop De-Ice Timer (14/28 Vdc - 34 Amp - 4 Outputs - 34 Sec)
		4E1213	Brush Insert Assembly
95-55, 95-A55, 95-B55	Hartzell HC-A3MVF-2B	4E1188-3	Dual Element Prop De-Icer
		3E1150-10	Prop De-Ice Timer (14/28 Vdc - 34 Amp - 4 Outputs - 34 Sec)
		4E1474	Slip Ring Assembly
95-C55, 95-C55A	McCauley 3AF32C75	4E1188-3	Dual Element Prop De-Icer
		3E1150-10	Prop De-Ice Timer (14/28 Vdc - 34 Amp - 4 Outputs - 34 Sec)
		3E2042-1	Modular Brush Block Assembly
		4E1474	Slip Ring Assembly
B100	Hartzell HC-B4TN-5C/F	4E1188-5	Dual Element Prop De-Icer
		4E1889-2/7021	Wire Harness (3 Wire - 12.75"L)
		3E1150-10	Prop De-Ice Timer (14/28 Vdc - 34 Amp - 4 Outputs - 34 Sec)
		3E2042-1	Modular Brush Block Assembly
		4E1933-5/-8	Slip Ring Assembly
		4E1933-5/-8	Slip Ring Assembly Can Replace 4E1933-2/-3/-4/-5 and 4E1934 (Spacer Ring) Comb
		4E2200-10	Hotprop® Prop De-Icer
		3E2092-3/6952	Wire Harness Assembly (2 Wire - 14.312"L - Molded End)
		3E1964-3	Prop De-Ice Timer (14/28 Vdc - 34A - 2 Outputs - 20 Sec - Manual Step)
		4E2200-10	Hotprop® Prop De-Icer
		3E2092-6/6954	Wire Harness Assembly (2 Wire- 13"L - Molded End)
		3E1964-3	Prop De-Ice Timer (14/28 Vdc - 34A - 2 Outputs - 20 Sec - Manual Step)
		3E2062-2	Modular Brush Assembly
200	Hartzell HC-E4N-3G	4E2271-10	Hotprop® Prop De-Icer
		3E2092-4	Wire Harness Assembly - (2-Wire - 17.56"L - Molded End)
		3E1964-3	Prop De-Ice Timer (14/28 Vdc - 34A - 2 Outputs - 20 Sec - Manual Step)
		3E2090-1	Modular Brush Assembly
		4E2674-2	Slip Ring Assembly

**Prop De-Icers and Hardware Kits**
**BEECH (CONTINUED)**

AIRCRAFT MODEL	BLADE	PART NUMBER	DESCRIPTION
300 T-6	Hartzell HC-E4A-2A	4E2271-14	Propeller De-Icer Assembly
		3E2360-5	Wire Harness (Molded - 2 Wire - 21.25"L - Plug End)
		3E2205-4	Prop De-Ice Timer (28 Vdc - 50A - 90 On / 90 Off - Immediate On)
		4E3196-1	Heavy Duty Brush Block Assembly
		4E4015-1	Slip Ring Assembly
300,350	Hartzell HC-B4MP-3	4E2575-7	Hotprop® Prop De-Icer
		D4E2575-7	DuraTherm® Prop De-Icer
		3E2017-8/6951	Wire Harness (2 Wire - 17.187"L)
		3E1964-3	Prop De-Ice Timer (14/28 Vdc - 34A - 2 Outputs - 20 Sec - Manual Step)
		3E2090-1	Modular Brush Assembly
		4E2444-1	Slip Ring Assembly
		4E2575-10	Hotprop® Prop De-Icer
		D4E2575-10	DuraTherm® Prop De-Icer
		3E2092-2	Wire Harness (2 Wire - 17.187"L)
		3E1964-3	Prop De-Ice Timer (14/28 Vdc - 34A - 2 Outputs - 20 Sec - Manual Step)
		3E2090-1	Modular Brush Assembly
		4E2444-1	Slip Ring Assembly
		1900	Hartzell HC-B4MP-3
D4E2560-10	DuraTherm® Prop De-Icer		
3E2092-2/6887	Wire Harness Assembly (3 Wire - 14.75"L - Molded End)		
3E1964-3	Prop De-Ice Timer (14/28 Vdc - 34A - 2 Outputs - 20 Sec - Manual Step)		
3E2090-3/4E3197-1	Heavy Duty Brush Block Assembly		
4E2624-1/4E3099-1	Slip Ring Assembly		
1900D	Hartzell HC-E4A-3	4E3400-1	Hotprop® Prop De-Icer
		D4E3400-1	DuraTherm® Prop De-Icer
		3E2526-1	Wire Harness Assembly (2-Wire - 13.13"L)
		3E1964-3	Prop De-Ice Timer (14/28 Vdc - 34A - 2 Outputs - 20 Sec - Manual Step)
		3E2510-3/4E3196-1	Heavy Duty Brush Block Assembly
		4E2955-1/4E3094-1	Heavy Duty Slip Ring Assembly
		4E3017-1	Hotprop® Prop De-Icer
		3E2526-1	Wire Harness Assembly (2-Wire - 13.13"L)
		3E1964-3	Prop De-Ice Timer (14/28 Vdc - 34A - 2 Outputs - 20 Sec - Manual Step)
		3E2510-3/4E3196-1	Heavy Duty Brush Block Assembly
		4E2955-1/4E3094-1	Heavy Duty Slip Ring Assembly
65-88		4E1601-4	Dual Element Prop De-Icer
D18C, D18S, E18S-9700, C-45G, C-45H, TC-45G, TC-45H, TC-45J	Hartzell HC-B3TN-5C	6975-11	Quick Disconnect Prop De-Icer Kit



**Prop De-Icers and Hardware Kits**
**BEECH (CONTINUED)**

AIRCRAFT MODEL	BLADE	PART NUMBER	DESCRIPTION
T-34C T-34C	Hartzell HC-B3TN-3H	6975-11	Quick Disconnect Prop De-Icer Kit
		6976-11	Quick Disconnect Wire Harness Assembly (3-Wire - 14.05"L)
65-90, 65-A90, 65-A90-1, 65-A90-2, 65-A90-3, 65-A90-4	Hartzell HC-B3TN-3B/-3M/-2B	6975-11	Quick Disconnect Prop De-Icer Kit
		6976-11	Quick Disconnect Wire Harness Assembly (3-Wire - 14.05"L)
B90,C90,E90,H90	Hartzell HC-B3TN-3B/-3M	6975-11	Quick Disconnect Prop De-Icer Kit
		6976-11	Quick Disconnect Wire Harness Assembly (3-Wire - 14.05"L)
F90	Hartzell HC-B4TN-3A/-3B	6975-11	Quick Disconnect Prop De-Icer Kit
		6976-11	Quick Disconnect Wire Harness Assembly (3-Wire - 14.05"L)
99,99A,A99,A99A	Hartzell HC-B3TN-3B	6975-11	Quick Disconnect Prop De-Icer Kit
		6976-11	Quick Disconnect Wire Harness Assembly (3-Wire - 14.05"L)
C99,100	Hartzell HC-B3TN-3B/-3M	6975-11	Quick Disconnect Prop De-Icer Kit
		6976-11	Quick Disconnect Wire Harness Assembly (3-Wire - 14.05"L)
A100, A100A, A100-1	Hartzell HC-B4TN-3/-3A	6975-11	Quick Disconnect Prop De-Icer Kit
		6976-11	Quick Disconnect Wire Harness Assembly (3-Wire - 14.05"L)
200, 200C, 200CT, 200T, A200, A200C, A200CT, B200, 200C, B200CT, B200T	Hartzell HC-B3TN-3G/-3N	6975-11	Quick Disconnect Prop De-Icer Kit
		6976-11	Quick Disconnect Wire Harness Assembly (3-Wire - 14.05"L)
B100	Hartzell HC-B4TN-5C/5F	6975-11	Quick Disconnect Prop De-Icer Kit
		6976-11	Quick Disconnect Wire Harness Assembly (3-Wire - 14.05"L)
JRB-6	Hartzell HC-B3TN-5C	6975-11	Quick Disconnect Prop De-Icer Kit
		6976-11	Quick Disconnect Wire Harness Assembly (3-Wire - 14.05"L)
65-90 series B90,C90,E90,F90,H90		4E2200-21	Hotprop® Prop De-Icer
		6887	Wire Harness Assembly (3 Wire - 14.75"L - Molded End)
200 series		4E2200-21	Hotprop® Prop De-Icer
		6887	Wire Harness Assembly (3 Wire - 14.75"L - Molded End)

**Prop De-Icers and Hardware Kits**
**CESSNA**

AIRCRAFT MODEL	BLADE	PART NUMBER	DESCRIPTION
TR-182	McCauley B2D34C214	4E2200-3	Hotprop® Prop De-Icer
		3E1899-1	Prop De-Ice Timer (14/28 Vdc - 34A - 90 On/90 Off - Immediate On)
		3E2071	Modular Brush Assembly
		5E1857-1	Slip Ring Assembly
206H, T206H, TU206G, U206G	Hartzel HC-C3YN-5A	4E2271-10	Hotprop® Prop De-Icer
		3E2050/6960	Wire Harness Assembly (2 Wire - 14"L - Molded End)
		3E1899-1	Prop De-Ice Timer (14/28 Vdc - 34A - 90 On/90 Off - Immediate On)
		3E2062-2	Modular Brush Assembly
		4E2761-1	Slip Ring Assembly
208	Hartzell HC-B3MN-3 Hartzel HC-B3TN-3AF/3AFY	4E2336-12	Hotprop® Prop De-Icer
		3E2092-2/6887	Wire Harness Assembly (3 Wire - 14.75"L - Molded End)
		3E2205-4	Prop De-Ice Timer (28 Vdc - 50A - 90 On / 90 Off - Immediate On)
		3E2090-1	Modular Brush Assembly
		4E2551-1	Slip Ring Assembly
		4E2560-10	Hotprop® Prop De-Icer
		D4E2560-10	DuraTherm® Prop De-Icer
		3E2092-2	Wire Harness Assembly - (2-Wire - 14.56"L - Molded End)
		3E2090-1	Modular Brush Assembly
		4E2551-1	Slip Ring Assembly
208, 208A, 208B	Hartzell HC-B3MN-3	4E2560-10	Hotprop® Prop De-Icer
		3E2092-2	Wire Harness Assembly - (2-Wire - 14.56"L - Molded End)
		3E2205-4	Prop De-Ice Timer (28 Vdc - 50A - 90 On / 90 Off - Immediate On)
		4E2551-1	Slip Ring Assembly
	Hartzell HC-D4N-3R	4E2560-10	Hotprop® Prop De-Icer
		D4E2560-10	DuraTherm® Prop De-Icer
		3E2092-2	Wire Harness Assembly - (2-Wire - 14.56"L - Molded End)
		3E2205-4	Prop De-Ice Timer (28 Vdc - 50A - 90 On / 90 Off - Immediate On)
		3E2090-1	Modular Brush Assembly
		4E2674-2	Slip Ring Assembly
210	McCauley E3A34C70	4E1214-3	Dual Element Prop De-Icer
		3E1964-1	Prop De-Ice Timer (14/28 Vdc - 34A - 2 Outputs - 34 Sec - Manual Step)
		3E2042-1	Modular Brush Block Assembly
		4E1708	Slip Ring Assembly

**Prop De-Icers and Hardware Kits**
**CESSNA (CONTINUED)**

AIRCRAFT MODEL	BLADE	PART NUMBER	DESCRIPTION
210	McCauley D3A32C88	4E1214-3	Dual Element Prop De-Icer
		3E1964-1	Prop De-Ice Timer (14/28 Vdc - 34A - 2 Outputs - 34 Sec - Manual Step)
		3E2042-1	Modular Brush Block Assembly
		4E1706	Slip Ring Assembly
	McCauley E2A34C70	4E1188-2	Dual Element Prop De-Icer
		3E1964-1	Prop De-Ice Timer (14/28 Vdc - 34A - 2 Outputs - 34 Sec - Manual Step)
		3E2042-1	Modular Brush Block Assembly
		4E1708	Slip Ring Assembly
	McCauley D3A32C88	4E1188-2	Dual Element Prop De-Icer
		3E1964-1	Prop De-Ice Timer (14/28 Vdc - 34A - 2 Outputs - 34 Sec - Manual Step)
		3E2042-1	Modular Brush Block Assembly
		4E1706	Slip Ring Assembly
210K, 210L, 210M, 210N	Hartzell PHC-J3YF-1RF	4E1188-7	Dual Element Prop De-Icer
		3E2205-1	Timer, Epd
		3E2042-2	Modular Brush Block Assembly
		4E2459-2	Slip Ring Assembly
P210N	Hartzell HC-B3TF-7A	4E3048-10	Prop De-Icer Thermal Efficient
		3E2507-1	Wire Harness Assembly (2-Wire - 12.76"L - Molded End)
		3E1899-1	Prop De-Ice Timer (14/28 Vdc - 34A - 90 On/90 Off - Immediate On)
		3E2062-2	Modular Brush Assembly
		4E2714-1	Slip Ring Assembly
310	Hartzell PHC-C3YF-2UF	4E1601-10	Dual Element Prop De-Icer (Left Rotation)
		4E1967-3	Wire Harness (3 Wires - 13.94"L)
		3E1150-10	Prop De-Ice Timer (14/28 Vdc - 34 Amp - 4 Outputs - 34 Sec)
		3E2042-1	Modular Brush Block Assembly
		4E1924-1	Slip Ring Assembly
	Hartzell PHC-J3YF-2UF	4E1601-10	Dual Element Prop De-Icer (Left Rotation)
		4E1967-3	Wire Harness (3 Wires - 13.94"L)
		3E1150-10	Prop De-Ice Timer (14/28 Vdc - 34 Amp - 4 Outputs - 34 Sec)
		3E2042-2	Modular Brush Block Assembly
		4E2459-2	Slip Ring Assembly
310 Thru 310H, 320	Hartzell HC-A2XF(VF/MVF)-2	4E1188-3	Dual Element Prop De-Icer
		3E1150-10	Prop De-Ice Timer (14/28 Vdc - 34 Amp - 4 Outputs - 34 Sec)
		4E1294	Brush Block
		4E1295-2	Slip Ring Assembly

**Prop De-Icers and Hardware Kits**
**CESSNA (CONTINUED)**

AIRCRAFT MODEL	BLADE	PART NUMBER	DESCRIPTION
T310P, T310Q, T310R, 320D, 320E, 320F, 340, 340A, 402C, 414, 414A	Hartzell PHC-C3YF-2UF	4E1601-14	Dual Element Prop De-Icer
		4E1967-3	Wire Harness (3 Wires - 13.94"L)
336, 337	McCauley D2AF34C300/301/59	4E1188-3	Dual Element Prop De-Icer
		3E1150-10	Prop De-Ice Timer (14/28 Vdc - 34 Amp - 4 Outputs - 34 Sec)
		3E2042-1	Modular Brush Block Assembly
		4E1575	Slip Ring Assembly Not Used With C300 Series Z Prop
		4E1974	Slip Ring Assembly C300 Series Z Prop
340, 340A	McCauley 3AF32C93	4E1601-10	Dual Element Prop De-Icer ( Left Rotation)
		4E1967-3/6964	Wire Harness Assembly (3 Wire - 14"L - Molded End)
	Hartzell PHC-C3YF-2UF	4E1601-10	Dual Element Prop De-Icer ( Left Rotation)
		4E1967-3/6964	Wire Harness Assembly (3 Wire - 14"L - Molded End)
402	Hartzell HC-B3TF-7	4E1188-3	Dual Element Prop De-Icer
		3E1150-10	Prop De-Ice Timer (14/28 Vdc - 34 Amp - 4 Outputs - 34 Sec)
		3E2042-1	Modular Brush Block Assembly
		4E1489	Slip Ring & Holder Assembly
		4E2200-10	Hotprop® Prop De-Icer
		3E2092-3/6952	Wire Harness Assembly (2 Wire - 14.312"L - Molded End)
		3E1964-3	Prop De-Ice Timer (14/28 Vdc - 34A - 2 Outputs - 20 Sec - Manual Step)
421C	Hartzell PHC-C3YN-2UF	4E1601-14	Dual Element Prop De-Icer
		4E1967-3	Wire Harness (3 Wires - 13.94"L)
425	Hartzell HC-B3TN-3	4E1188-6	Dual Element Prop De-Icer
		4E1889-7/6995	De-Icer Wire Harness (3 Wire - 14.062"L)
		3E1964-2	Prop De-Ice Timer (14/28 Vdc - 34A - 2 Outputs - 20 Sec - Manual Step)
		3E2044-1	Modular Brush Block Assembly
		4E1555-1	Slip Ring Assembly

**Prop De-Icers and Hardware Kits**
**CESSNA (CONTINUED)**

AIRCRAFT MODEL	BLADE	PART NUMBER	DESCRIPTION
441	Hartzell HC-B3TN-5E/M	4E1188-6	Dual Element Prop De-Icer
		4E1889-2/7021	Wire Harness (3 Wire - 12.75"L)
		3E1964-2	Prop De-Ice Timer (14/28 Vdc - 34A - 2 Outputs - 20 Sec - Manual Step)
		3E2044-2	Modular Brush Block Assembly
		4E1614-2	Slip Ring Assembly
		4E1614-3	Slip Ring Assembly Can Replace 4E1614-2/4E1689-3 (Spacer Ring) Combo
	Hartzell HC-E4N-5	4E2271-10	Hotprop® Prop De-Icer
		3E2092-4	Wire Harness Assembly - (2-Wire - 17.56"L - Molded End)
		3E1964-3	Prop De-Ice Timer (14/28 Vdc - 34A - 2 Outputs - 20 Sec - Manual Step)
		3E2090-2	Modular Brush Assy
		4E2674-1	Slip Ring Assembly
	Hartzell HC-B4TN-3	4E1188-5	Dual Element Prop De-Icer
		4E1889-2/7021	De-Icer Wire Harness (3 Wire - 12.75"L)
		3E1150-10	Prop De-Ice Timer (14/28 Vdc - 34 Amp - 4 Outputs - 34 Sec)
		3E2044-1	Modular Brush Block Assembly
		4E1676-1	Slip Ring, Base & Holder Assembly

**Collins Aerospace 2020 World List Price Catalog**
**Collins Aerospace “On-Condition” Statement for Age-Sensitive Products**

Goodrich Corporation Sensors and Integrated Systems (Formerly known as Deicing & Specialty Systems) manufactures a number of age-sensitive products that cannot be stored indefinitely. Cements, coatings, edge sealers, and fillers that have been on the shelf for a period of time raise questions when it's time to use the product or make a purchasing decision. Factors such as storage conditions, opening and resealing the original container, and mixing cements can all affect shelf life of age-sensitive products. As a rule, any age-sensitive products should be used “on condition,” regardless of age. The decision to use or not use the product rests with the user who must inspect each product on a case by case basis. To help users determine the age of Goodrich products, we stamp each with the date it was shipped from the Goodrich production facility.

Depending on the product, signs of degradation such as solidification, crystallization, separation, or changes in color can be indications that the product is not usable. Additionally, another important criteria for the use/don't use decision may be the policy and/or FAA guidelines affecting your operation. Users can also test the product before making a decision. For adhesives and accelerators, an adhesion test would be appropriate. For other types of products, apply a small sample of the product and observe if it spreads, dries, and appears as expected. Maximizing the shelf life of an age-sensitive product can be accomplished by strictly following instructions for product usage and storage. For example, once a product is opened but not all used, care should be taken not to contaminate the remaining product. The product should be tightly resealed and stored according to instructions. For products which require mixing (e.g., cement and accelerator), follow the specific guidelines for pot time, mixing only the amount needed for the job at hand.

**Goodrich Age-Sensitive Products**

Part Number	Unit of Measure	Alter-nate Designation	Description	Purpose	Visual Description of Material	Evidence of Degradation
74-451-11 74-451-11-1	1/2 pint 1 quart	A56B-R1	Conductive Edge Sealer	Seal neoprene pneumatic de-icer edges & minimize static pinhole damage.	Thin black liquid with sharp odor	A56B-R1 - Check can for settled material that will not go back into solution on stirring and/or gelling of material. Gelling is indicated by material not exhibiting clean break on pouring or coming out in lumps. Material should be brushable, flow to fill in brush marks and dry to a tack free coating.
1300L	1 quart	1300L	Adhesive	Bond pneumatic and propeller de-icers to aircraft	Viscous yellow liquid, with sweet odor	1300L - Check for gelling of material. Gelling is indicated by material not exhibiting clean break on pouring or coming out in lumps. This material is viscous as received and may show some stringiness on pouring or brushing.
74-451-99	1 quart	Fuel Barrier Cement	Protective Cement	Protects against degradation of pneumatic de-icer bond over rivets on aircraft with fuel tanks under deicer	Light brown syrupy liquid with sweet pungent odor.	74-451-99 - Check can for settled material that will not go back into solution on stirring and/or gelling of material. Gelling is indicated by material not exhibiting clean break on pouring or coming out in lumps.
ICEX® II	1 quart Pump	ICEX® II	Ice Adhesion Inhibitor	Enhances performance of pneumatic and propeller deicers in icing conditions.	Clear liquid, low odor	ICEX® II - Check for gelling of material or material that comes out in lumps.
74-451-207	1/2 pint	PSA primer	<i>FASTboot™ Primer</i>	Activates PSA adhesive on bond side of <i>FASTboot™</i> pneumatic deicers.	Clear/amber liquid with solvent odor	<i>FASTboot™ primer</i> - Look for signs of clouding and/or precipitation in bottom of container.
74-451-AA Kit 74-451-206	2 ounces	PSA Primer	<i>FASTboot™ Primer</i>	Activates PSA adhesive on back of neoprene, Estane®, and silver Estane® patches	Clear amber liquid with solvent odor	<i>FASTboot™</i> - Check that pen tip is moist with primer. (Shake well prior to using. Seal pen well when done using.)
74-451-AC Kit 74-451-150	1 fl. oz.	A1343B	Accelerator	Erosion protection for neoprene or Estane® pneumatic de-icers (approved for certain aircraft models only)	Dark amber to light yellow liquid, free of crystals	A1343B - Look for crystallization of material into hard film on top of container and cloudiness or precipitation in container. Liquid material under thin skin on top is usable material if no cloudiness or precipitation.
75-451-194	1 pint	0165JC215	Cement		Black liquid with ketone odor	0165JC215 - Check can for settled material that will not go back into solution on stirring and/or gelling of material. Gelling is indicated by material not exhibiting clean break on pouring or coming out in lumps. Material should be brushable, flow to fill in brush marks and dry to a tack free coating.
74-451-AE Kit 74-451-201	8.5 gram s	A1343B	Accelerator	Repair 1/16" or smaller pinholes on neoprene or Estane® pneumatic de-icers.	Dark amber to light yellow liquid, free of crystals	A1343B - Look for crystallization of material into hard film on top of container and cloudiness or precipitation in container. Liquid material under thin skin on top is usable material if no cloudiness or precipitation.
74-451-209	24 ct., 4 gm pouches	0165TS42	Repair Material		Thick black paste/liquid with ketone odor	0165TS42 - Check for thick material that is spreadable.

**Collins Aerospace 2020 World List Price Catalog**
**Headline**
**Goodrich Age-Sensitive Products (continued):**

Part Number	Unit of Measure	Alternate Designation	Description	Purpose	Visual Description of Material	Evidence of Degradation
<b>74-451-AG Kit</b>						
74-451-151	8 ounces	0165TS39	Silver Cement	Bond silver urethane stall bar to silver Estane® pneumatic de-icer	Silver colored liquid, ketone odor	0165TS39 - Check can for settled material that will not go back into solution on stirring and/or gelling of material. Gelling is indicated by material not exhibiting clean break on pouring or coming out in lumps. Material should be brushable, flow to fill in brush marks and dry to a tack free coating. KE7005 - Look for crystallization of material into hard pieces, cloudiness or precipitation in container. Liquid material under hard surface film will be less concentrated and not usable.
74-451-152	1/2 ounce	KE7005	Accelerator		Thin dark amber to light yellow liquid, free of crystals, ketone odor	
<b>74-451-K Kit</b>						
74-451-117-1	1 quart	KE7804	Estane® Sealer	Seal Estane® pneumatic de-icer edges & minimize static pinhole damage	Black colored liquid, solvent odor	KE7804 - Check can for settled material that will not go back into solution on stirring and/or gelling of material. Gelling is indicated by material not exhibiting clean break on pouring or coming out in lumps. Material should be brushable, flow to fill in brush marks and dry to a tack free coating. KE7005 - Look for crystallization of material into hard pieces, cloudiness or precipitation in container. Liquid material under hard surface film will be less concentrated and not usable.
74-451-120	4 ounces	KE7005	Accelerator		Thin dark amber to light yellow liquid, free of crystals, ketone odor	
<b>74-451-L Kit</b>						
74-451-120	4 ounces	KE7005	Accelerator		Thin dark amber to light yellow liquid, free of crystals, ketone odor	KE7005 - Look for crystallization of material into hard pieces, cloudiness or precipitation in container. Liquid material under hard surface film will be less concentrated and not usable. 021045- Check can for settled material that will not go back into solution on stirring and/or gelling of material. Gelling is indicated by material not exhibiting clean break on pouring or coming out in lumps. Material should be brushable, flow to fill in brush marks and dry to a tack free coating. 0165CP9 - Check can for settled material that will not go back into solution on stirring and/or gelling of material. Gelling is indicated by material not exhibiting clean break on pouring or coming out in lumps. Material should be brushable, flow to fill in brush marks and dry to a tack free coating.
74-451-122	1 quart	21045	Primer	Resurface neoprene or Estane® pneumatic de-icers and/or provide diester oil protection	Black liquid, ketone odor	
74-451-123	1 quart	0165CP9	Coating		Black liquid, ketone odor	
<b>74-451-P Kit</b>						
74-451-220	1 pint	LA 5102	Cement		Syrup like liquid clear to slight cloudy liquid, solvent odor	LA5102 - Check can for settled material that will not go back into solution on stirring and/or gelling of material. Gelling is indicated by material not exhibiting clean break on pouring or coming out in lumps. Material should be brushable, flow to fill in brush marks and dry to a tack free coating. Thixon P6-EF - Look for settled ingredients that will not go back into solution on stirring and/or gelling of material. Gelling is indicated by material not exhibiting clean break on pouring or coming out in lumps. Cat UR - Look for crystallization of material into hard film on top of container and cloudiness or precipitation in container. Liquid material under skin on top is usable material if no cloudiness or precipitation.
74-451-185	1 pint	Thixon P-6-EF	Primer	Heavy duty tape edge sealer for neoprene or Estane® pneumatic de-icers	Thin gray liquid, solvent odor	
74-451-221	1 ounce	CAT UR	Accelerator		Dark amber to light yellow liquid, free of crystals	
<b>74-451-Q-1 Kit</b>						
74-451-158	1 pint	0165TS38 / Part A	Silver Gap Filler - Part A	Fair full thickness silver Estane® de-icer cut-outs & edges to air foil structure	Silver colored, viscous liquid, no odor	0165TS38 Part A - Look for crystallization of material into hard pieces. Liquid material under hard surface film will be less concentrated and not usable.
74-451-159	1/2 pint	0165TS38 / Part B	Silver Gap Filler - Part B		Silver colored paste, amine odor	

**Collins Aerospace 2020 World List Price Catalog**
**Goodrich Age-Sensitive Products (continued):**

Part Number	Unit of Measure	Alternate Designation	Description	Purpose	Visual Description of Material	Evidence of Degradation
<b>74-451-Q-2 Kit</b>						
74-451-160	1 quart	0165TS38 / Part A	Silver Gap Filler - Part A	Fair full thickness silver Estane® de-icer cut-outs & edges to air foil structure	Silver colored, viscous liquid, no odor	0165TS38 Part A - Look for crystallization of material into hard pieces. Liquid material under hard surface film will be less concentrated and not usable.
74-451-161	1 pint	0165TS38 / Part B	Silver Gap Filler - Part B		Silver colored paste, amine odor	0165TS38 Part B - Check for smooth pourable liquid/paste without gel.
<b>74-451-R-1 Kit</b>						
74-451-169-2	1 pint	0165RR26	Silver Edge Sealer	Seal edges of silver Estane® pneumatic deicers	Thin silver liquid with peppermint odor	0165RR26 - Check can for settled material that will not go back into solution on stirring and/or gelling of material. Gelling is indicated by material not exhibiting clean break on pouring or coming out in lumps. Material should be brushable, flow to fill in brush marks and dry to a tack free coating.
74-451-143	2 ct, 1/2 oz. containers	KE7005	Accelerator		Thin dark amber to light yellow liquid, free of crystals, ketone odor	KE7005 - Look for crystallization of material into hard pieces, cloudiness or precipitation in container. Liquid material under hard surface film will be less concentrated and not usable.
<b>74-451-R-2 Kit</b>						
74-451-169-1	1 quart	0165RR26	Silver Edge Sealer	Seal edges of silver Estane® pneumatic deicers	Thin silver liquid with peppermint odor	0165RR26 - Check can for settled material that will not go back into solution on stirring and/or gelling of material. Gelling is indicated by material not exhibiting clean break on pouring or coming out in lumps. Material should be brushable, flow to fill in brush marks and dry to a tack free coating.
74-451-152	2 oz. containers	KE7005	Accelerator		Thin dark amber to light yellow liquid, free of crystals, ketone odor	KE7005 - Look for crystallization of material into hard pieces, cloudiness or precipitation in container. Liquid material under hard surface film will be less concentrated and not usable.
<b>74-451-S-1</b>						
74-451-206	2 ounces	PSA Primer	<b>FASTboot™ primer</b>	Activates PSA adhesive on back of neoprene, Estane®, and silver patches	Amber liquid with solvent odor	Pen tip is moist with primer. Shake well prior to using. Seal pen well when done using.
<b>74-451-S-2 Kit</b>						
74-451-156	8 ounce	0165JC51	Silver Surface spray	Resurface silver Estane® pneumatic de-icers	Thin silver liquid with sharp odor	0165JC51 - Check can for settled material that will not go back into solution on stirring and/or gelling of material. Gelling is indicated by material not exhibiting clean break on pouring or coming out in lumps. Material should be brushable, flow to fill in brush marks and dry to a tack free coating.
74-451-157	Jet spray pack	Jet Pack Spray Kit	Propellant		Clear odorless gas	Jet Pack - Aerosol spray - Can needs sufficient pressure to spray 0165JC51 material.
<b>74-451-Z-Kit</b>						
74-451-127	1 quart	AgeMaster No. 1	De-Icer Preservative	Deicer Care	Dark red-brown liquid	AgeMaster No. 1 - Check for settled material at the bottom of the can that will not go back into solution.
74-451-139	16 oz. Pump	ICEX® II	Ice Adhesion Inhibitor		Clear Liquid, slight amine odor	ICEX® II - Check for gelling of material or material that comes out in lumps.
74-451-178	1 pint	ShineMaster™	Cosmetic Treatment		Milky liquid, slight odor	ShineMaster™ - Check for settled material at the bottom of the can that will not go back into solution.
74-451-179	1 quart	ShineMaster™ Prep	Cleaner		Clear thick liquid, ammonia odor	ShineMaster™ Prep - Check for ammonia order.
<b>77-798</b>						
82-076-1	6 ounces	F63B12	Sealer	Edge seal for propeller deicers	Black liquid with solvent odor	F63B12 - Check can for settled material that will not go back into solution on stirring and/or gelling of material. Gelling is indicated by material not exhibiting clean break on pouring or coming out in lumps. Material should be brushable, flow to fill in brush marks and dry to a tack free coating.
82-076-2	1 ounce	V66V29	Accelerator		Light to dark amber colored liquid with solvent odor	V66V29 - Look for crystallization of material into hard pieces, cloudiness or precipitation in container. Liquid material under hard surface film will be less concentrated and not usable.



## Collins Aerospace 2020 World List Price Catalog

**Goodrich Age-Sensitive Products (continued):**

Part Number	Unit of Measure	Alternate Designation	Description	Purpose	Visual Description of Material	Evidence of Degradation
<b>74-451-AQ1</b>						
74-451-235-1	1 pint	0165JC421	Silver Edge Sealer	Edge seal for silver Urethane silver deicers	Thin silver liquid with peppermint odor	0165JC421 - Check can for settled material that will not go back into solution on stirring and/or gelling of material. Gelling is indicated by material not exhibiting clean break on pouring or coming out in lumps. Material should be brushable, flow to fill in brush marks and dry to a tack free coating.
74-451-152	1 ounces	KE7005	Accelerator		Thin dark amber to light yellow liquid, free of crystals, ketone odor	KE-7005 - Look for crystallization of material into hard pieces, cloudiness or precipitation in container. Liquid material under hard surface film will be less concentrated and not usable.
<b>74-451-AQ2</b>						
74-451-235-2	1 quart	0165JC421	Silver Edge Sealer	Edge seal for silver Urethane silver deicers	Thin silver liquid with peppermint odor	0165JC421 - Check can for settled material that will not go back into solution on stirring and/or gelling of material. Gelling is indicated by material not exhibiting clean break on pouring or coming out in lumps. Material should be brushable, flow to fill in brush marks and dry to a tack free coating.
74-451-143	2 ounces	KE7005	Accelerator		Thin dark amber to light yellow liquid, free of crystals, ketone odor	KE-7005 - Look for crystallization of material into hard pieces, cloudiness or precipitation in container. Liquid material under hard surface film will be less concentrated and not usable.
<b>74-451-AP</b>						
74-451-234-1	24 each, 4 gm. Pouches	0165JC414	Repair Material	Repair 1/16" or smaller pinholes on silver urethane and silver Estane® pneumatic de-icers.	Thin silver liquid with peppermint odor	0165JC414 - thick silver material that is spreadable
74-451-201	8.5 grams	A1343	Accelerator		Amber to dark brown liquid, free of crystals	A-1343-B - Look for crystallization of material into hard film on top of container and cloudiness or precipitation in container. Liquid material under thin skin on top is usable material if no cloudiness or precipitation.



# Collins Aerospace

Collins Aerospace is the manufacturer of  
Goodrich® pneumatic de-icing boots.

## Goodrich® De-Icers

For additional information:  
1555 Corporate Woods Parkway, Uniontown, OH 44685 U.S.A.  
Tel: 800.DE-ICERS (800.334.2377)  
deicers@collins.com



Scan code for more  
information.

This document does not contain any  
export controlled technical data.

[collinsaerospace.com/deicing](http://collinsaerospace.com/deicing)

RPL Catalog 1/2020

© Goodrich Corporation, a Collins Aerospace company, acting by and through its De-icing Specialty Systems business unit, 2020  
The information contained herein was authored by Goodrich and Goodrich is solely responsible for its content.  
Cessna, Beechcraft, and Hawker are trademarks or service marks of others.